



US00D424780S

**United States Patent** [19]  
**Swaine**

[11] **Patent Number: Des. 424,780**

[45] **Date of Patent: \*\* May 9, 2000**

[54] **SELF SERVICE TERMINAL**

[75] Inventor: **Stephen Swaine**, Auchterarder, United Kingdom

[73] Assignee: **NCR Corporation**, Dayton, Ohio

[\*\*] Term: **14 Years**

[21] Appl. No.: **29/103,579**

[22] Filed: **Apr. 16, 1999**

[30] **Foreign Application Priority Data**

Nov. 11, 1998 [GB] United Kingdom ..... 2079097

[51] **LOC (7) Cl.** ..... **99-00**

[52] **U.S. Cl.** ..... **D99/34; D99/43**

[58] **Field of Search** ..... D99/28, 34, 43;  
D20/8, 9; D21/392; D30/121; D18/3; 221/167,  
168, 174, 175; 209/224, 243, 244; 194/295,  
332, 331, 291; 222/185.1, 212

[56] **References Cited**

**U.S. PATENT DOCUMENTS**

D. 22,400 5/1893 Kellogg ..... D30/121

D. 331,781 12/1992 Nishiumi et al. .... D20/8  
D. 399,633 10/1998 Tsuchida ..... D99/34  
3,794,164 2/1974 Ginaven ..... 209/243  
4,085,040 4/1978 Egan ..... 209/244  
5,356,048 10/1994 Geiser ..... 222/185.1

*Primary Examiner*—Paula A. Mortimer

[57] **CLAIM**

The ornamental design for a self service terminal, as shown and described.

**DESCRIPTION**

FIG. 1 is a front view of a self service terminal showing my new design;

FIG. 2 is a right side view;

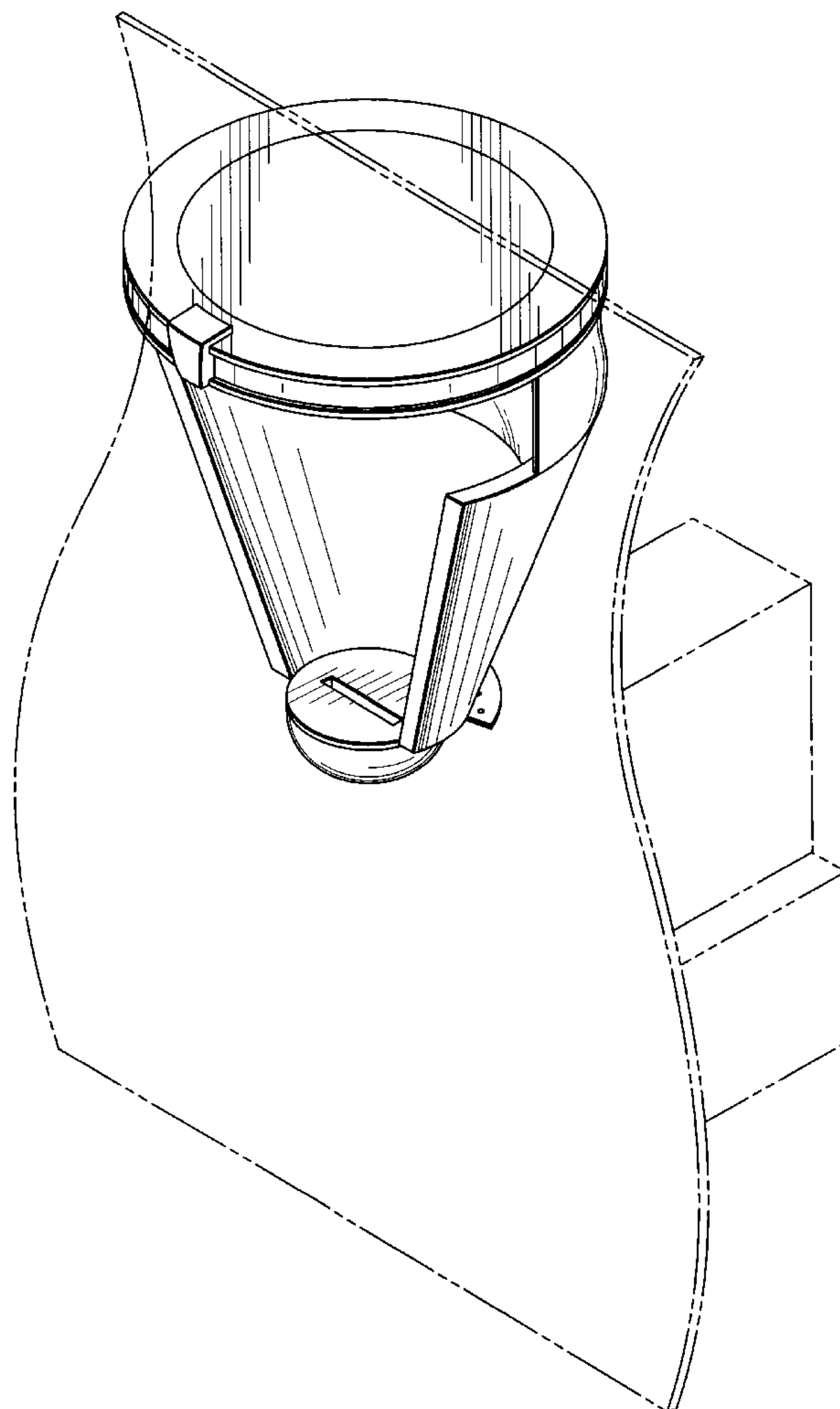
FIG. 3 is a top view;

FIG. 4 is a bottom view; and,

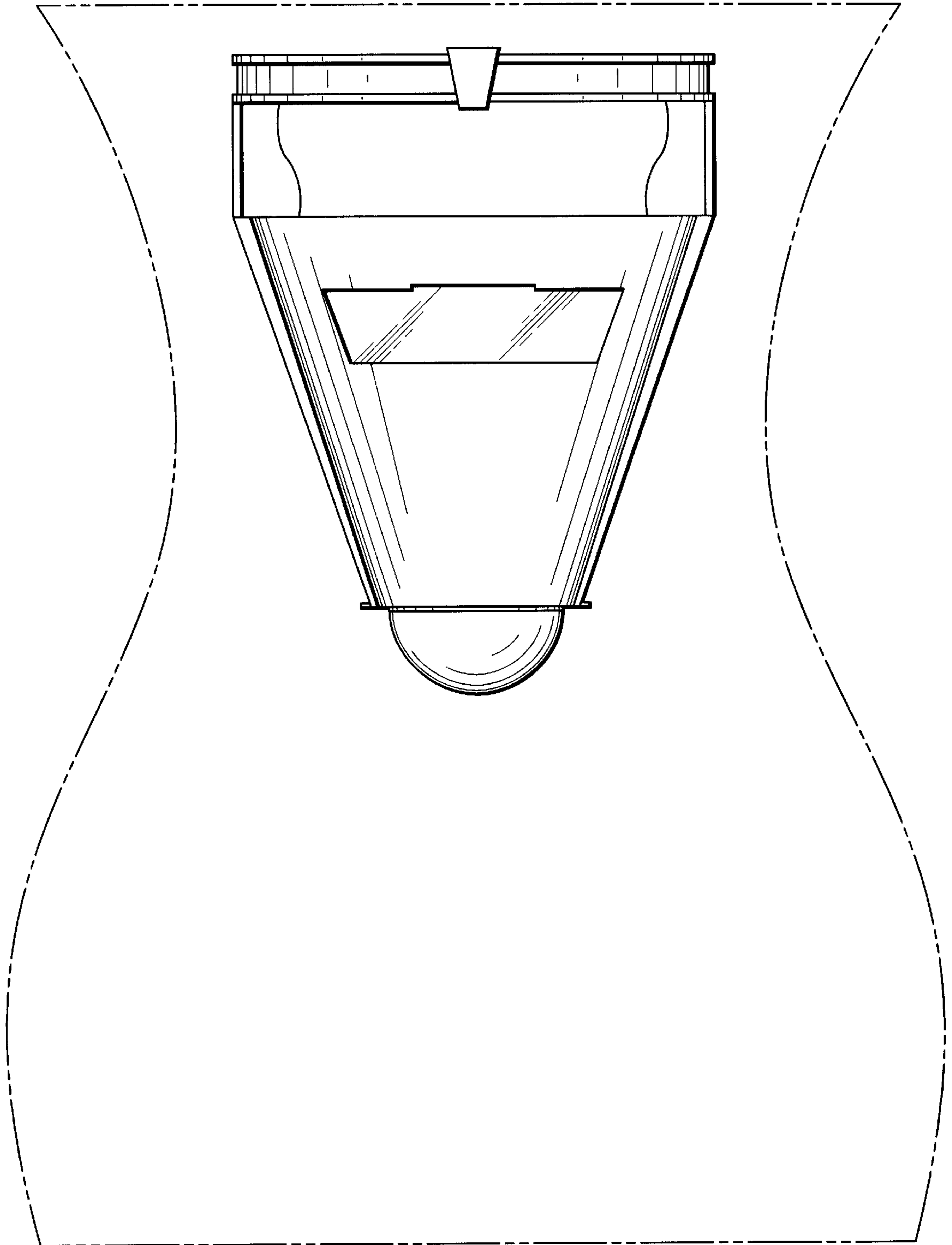
FIG. 5 is a right front perspective view.

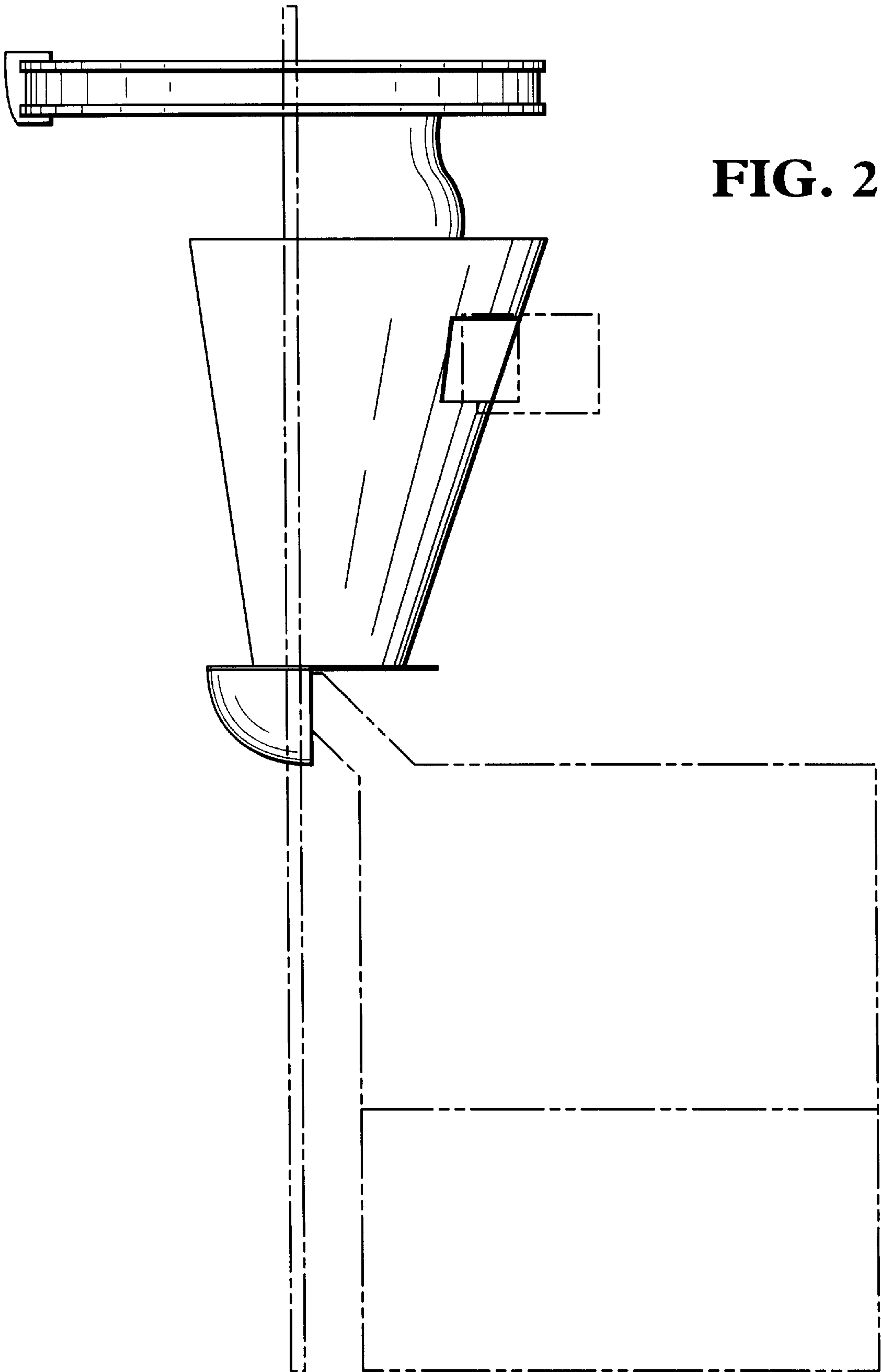
The broken line showing of the environment in all views is for illustrative purposes only and forms no part of the claimed design.

**1 Claim, 5 Drawing Sheets**

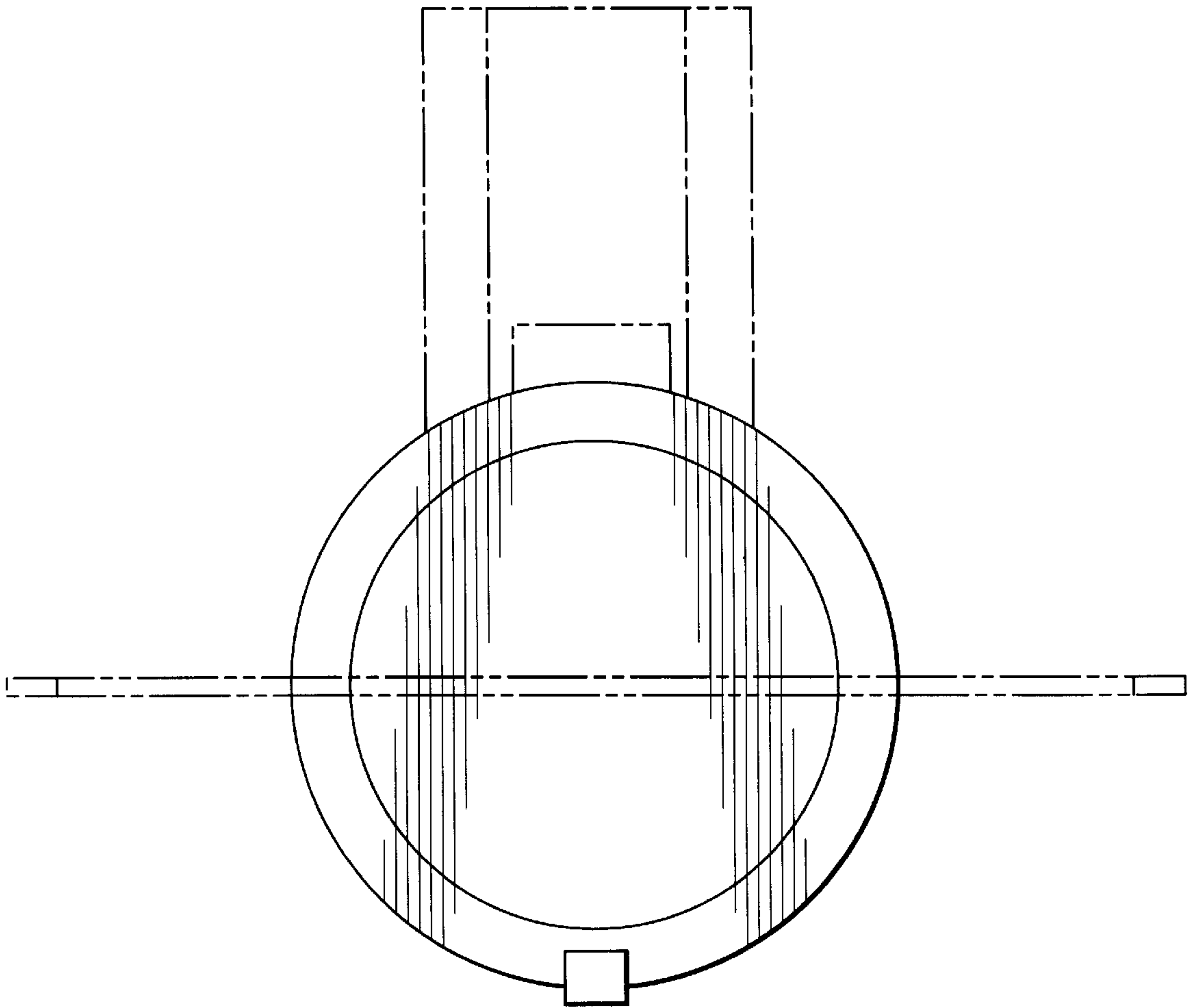


**FIG. 1**

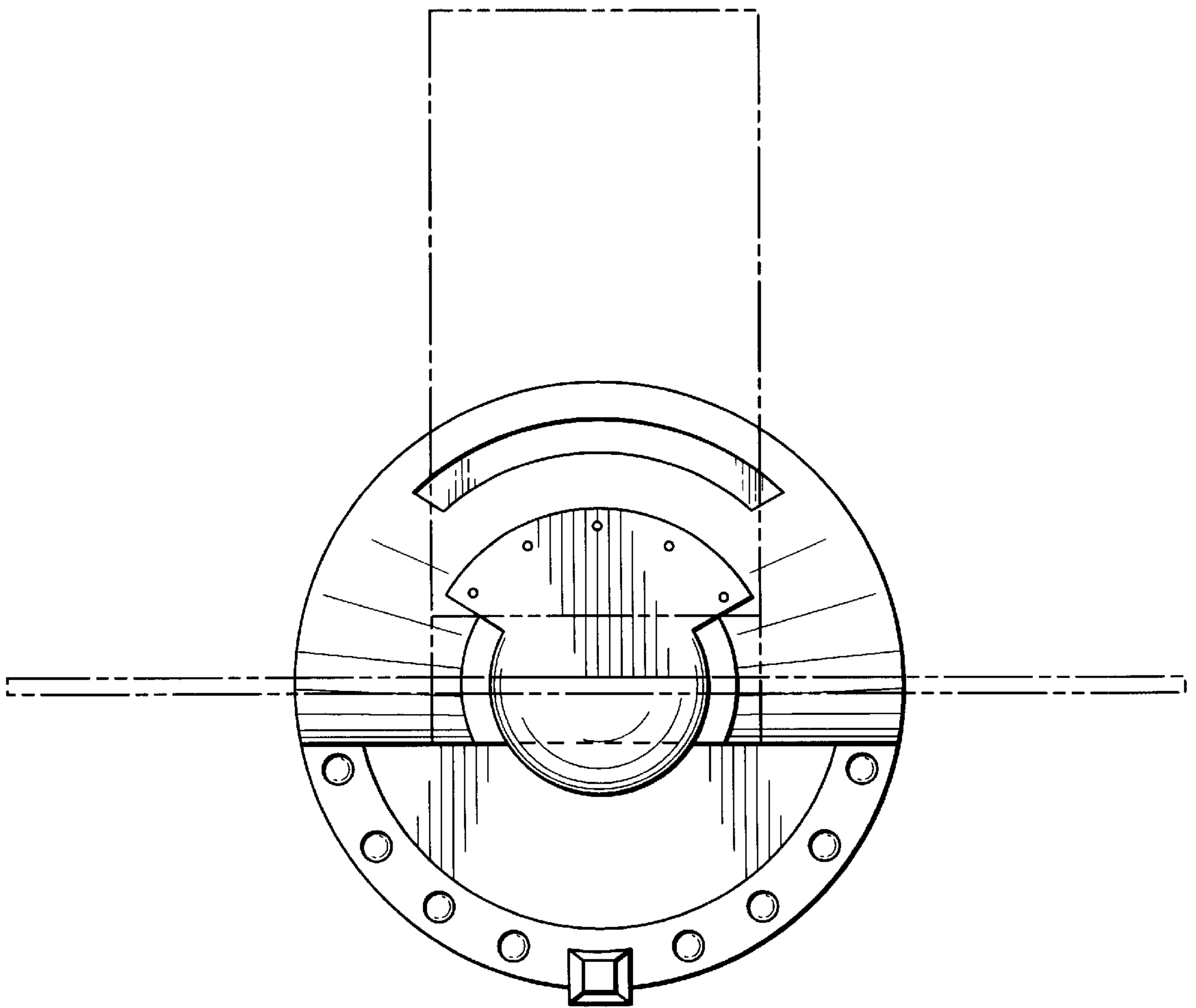




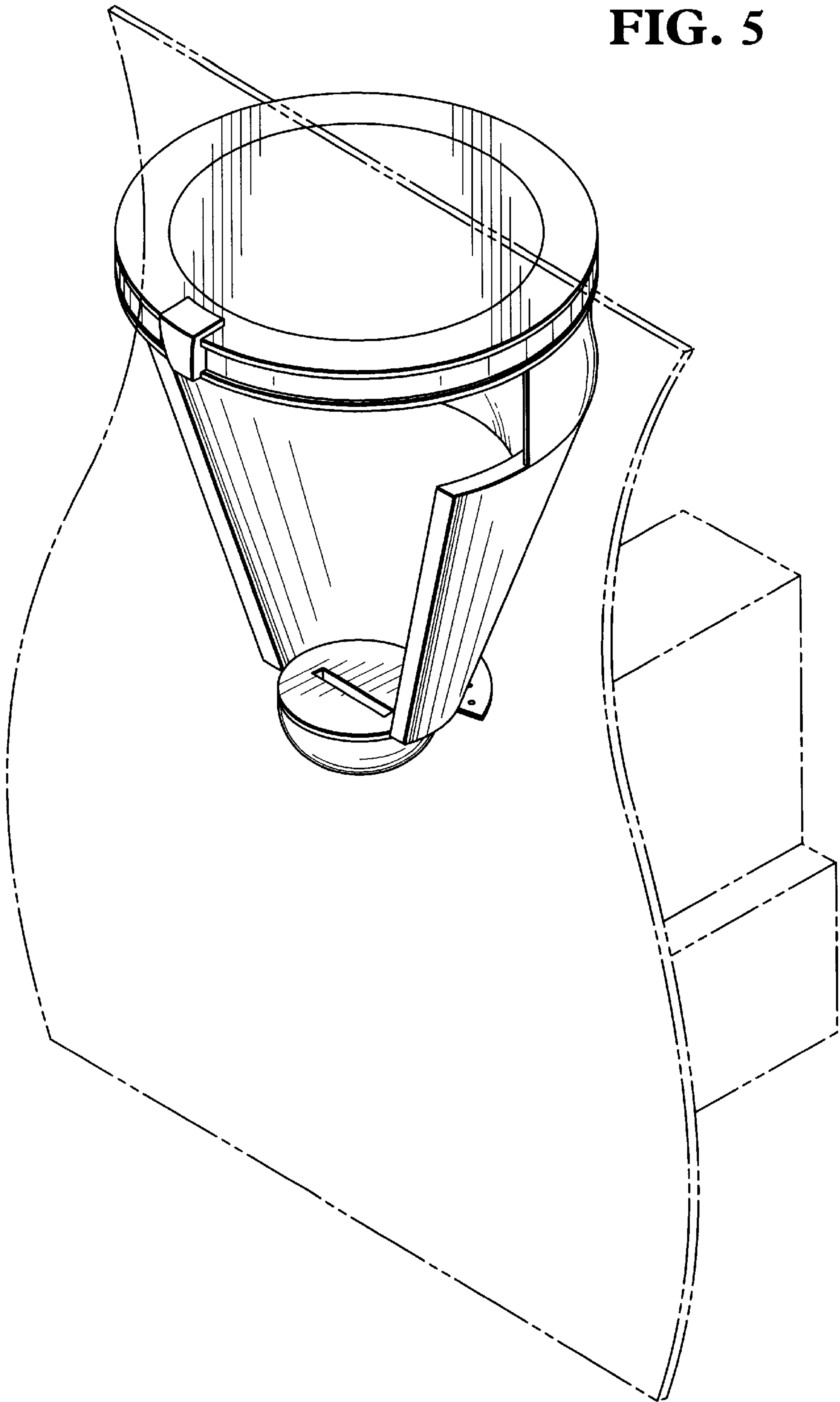
**FIG. 3**



**FIG. 4**



**FIG. 5**



UNITED STATES PATENT AND TRADEMARK OFFICE  
**CERTIFICATE OF CORRECTION**

PATENT NO. : Des. 424,780  
DATED : May 9, 2000  
INVENTOR(S) : Stephen Swaine

It is certified that error appears in the above-identified patent and that said Letters Patent is hereby corrected as shown below:

Title Page, item [75], after "**Swaine**" delete  
"Auchterarder, United Kingdom" and insert instead  
-- Perthshire, Scotland --.

Signed and Sealed this  
Twenty-seventh Day of March, 2001

Attest:



NICHOLAS P. GODICI

Attesting Officer

Acting Director of the United States Patent and Trademark Office