



US00D424778S

United States Patent [19]

[11] **Patent Number: Des. 424,778**

Dahl et al.

[45] **Date of Patent: ** May 9, 2000**

[54] **OPERATOR CAB FOR SKID STEER
LOADER**

3,750,900 8/1973 Piercy 414/788.2
4,060,261 11/1977 Bauer et al. 280/756
5,029,918 7/1991 Albright et al. 293/126

[75] Inventors: **Jeffrey A. Dahl**, Lisbon; **James E. Asche**, Milnor, both of N. Dak.

OTHER PUBLICATIONS

[73] Assignee: **Clark Equipment Company**, Woodcliff Lake, N.J.

Model 553 Skid Steer Loader brochure, published Feb. 1998.

[**] Term: **14 Years**

Model 863, F-Series Skid Steer Loader brochure Mar. 1999.
Brochure on the Concrete Mixer Attachment for the Bobcat, Oct. 1998.

[21] Appl. No.: **29/105,491**

Brochure on the Planer Attachment for the Bobcat, Nov. 1998.

[22] Filed: **May 26, 1999**

Primary Examiner—Melody N. Brown
Attorney, Agent, or Firm—Westman, Champlin & Kelly, P.A.

Related U.S. Application Data

[63] Continuation-in-part of application No. 29/096,847, Nov. 19, 1998.

[57] CLAIM

[51] **LOC (7) Cl.** **12-05**

The ornamental design for an operator cab for skid steer loader, as shown and described.- -

[52] **U.S. Cl.** **D34/34; D15/23; D12/96**

[58] **Field of Search** D12/96, 14, 1;
D15/23, 25; D34/34-37; 180/22, 24, 89.12;
414/78.2, 503, 914; 280/756; 296/102

DESCRIPTION

[56] References Cited

U.S. PATENT DOCUMENTS

D. 224,588	8/1972	Bauer	D34/34
D. 259,631	6/1981	Rumucciotti	D34/34
D. 271,151	10/1983	Kirby et al.	D34/34
D. 314,389	2/1991	Lynnes et al.	D15/25
D. 317,926	7/1991	Lynnes et al.	D15/25
D. 348,553	7/1994	Martin, Jr.	D34/34
D. 362,099	9/1995	Heller	D34/34
D. 384,477	9/1997	Braud	D34/34
3,743,044	7/1973	Scheele	180/24

FIG. 1 is a front perspective view of an operator cab for skid steer loader embodying our new design;
FIG. 2 is a top plan view thereof;
FIG. 3 is a left side elevational view thereof;
FIG. 4 is a front elevation view thereof;
FIG. 5 is a right side elevational view thereof.
FIG. 6 is a rear elevational view thereof; and,
FIG. 7 is a bottom plan view thereof.
The broken lines shown throughout the drawing are for illustrative purposes only and form no part of the claimed design.

1 Claim, 7 Drawing Sheets

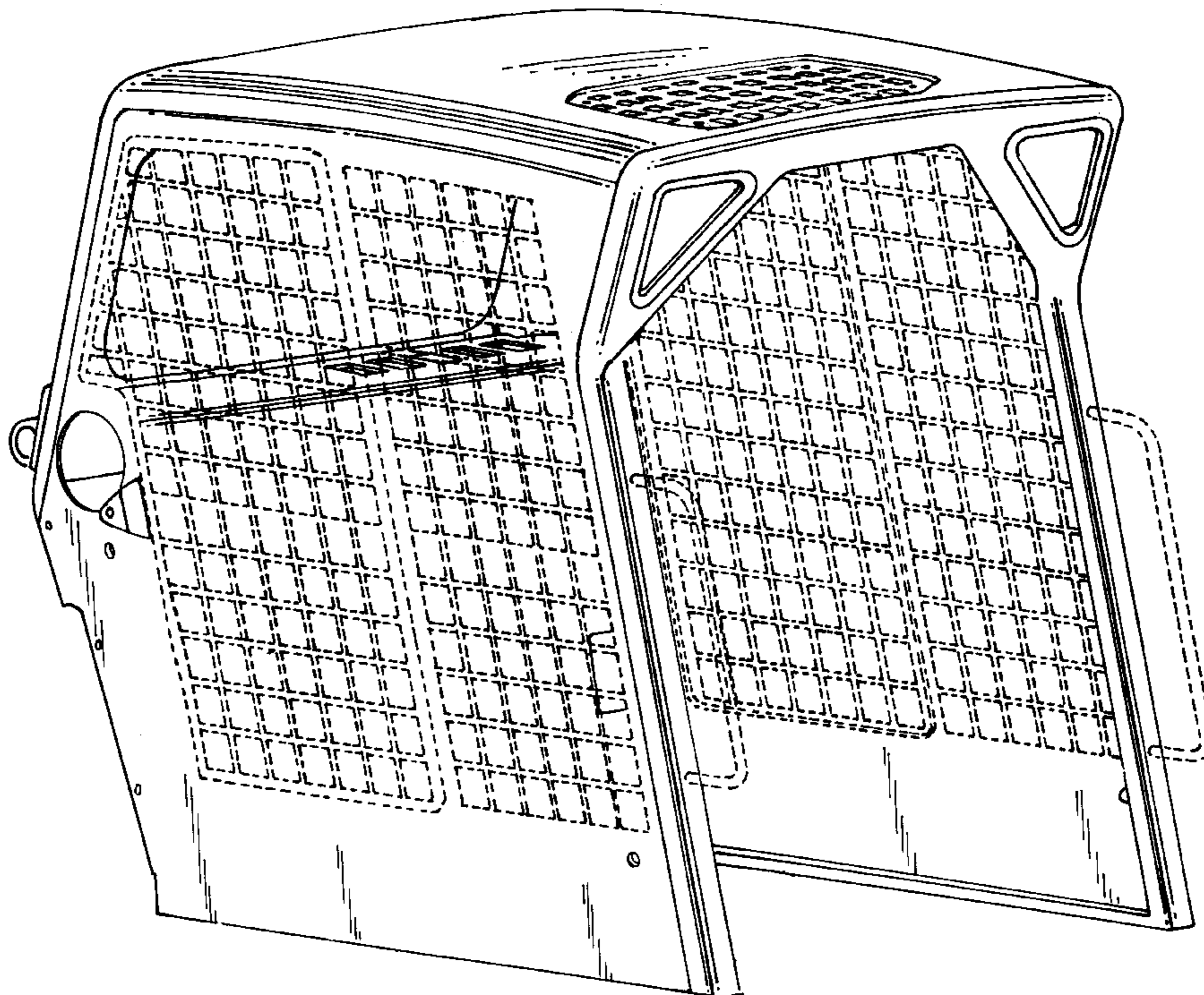
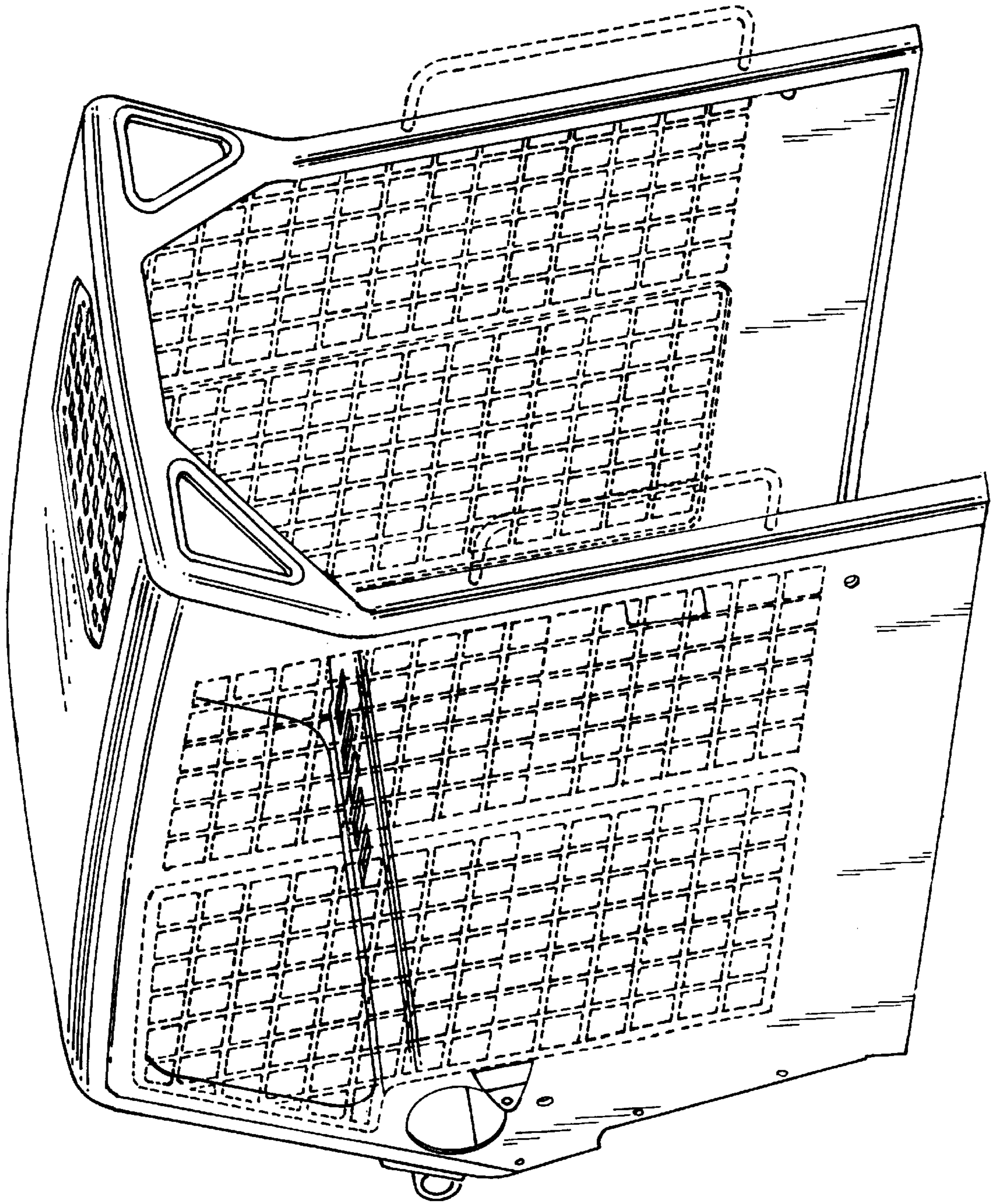


Fig. 1



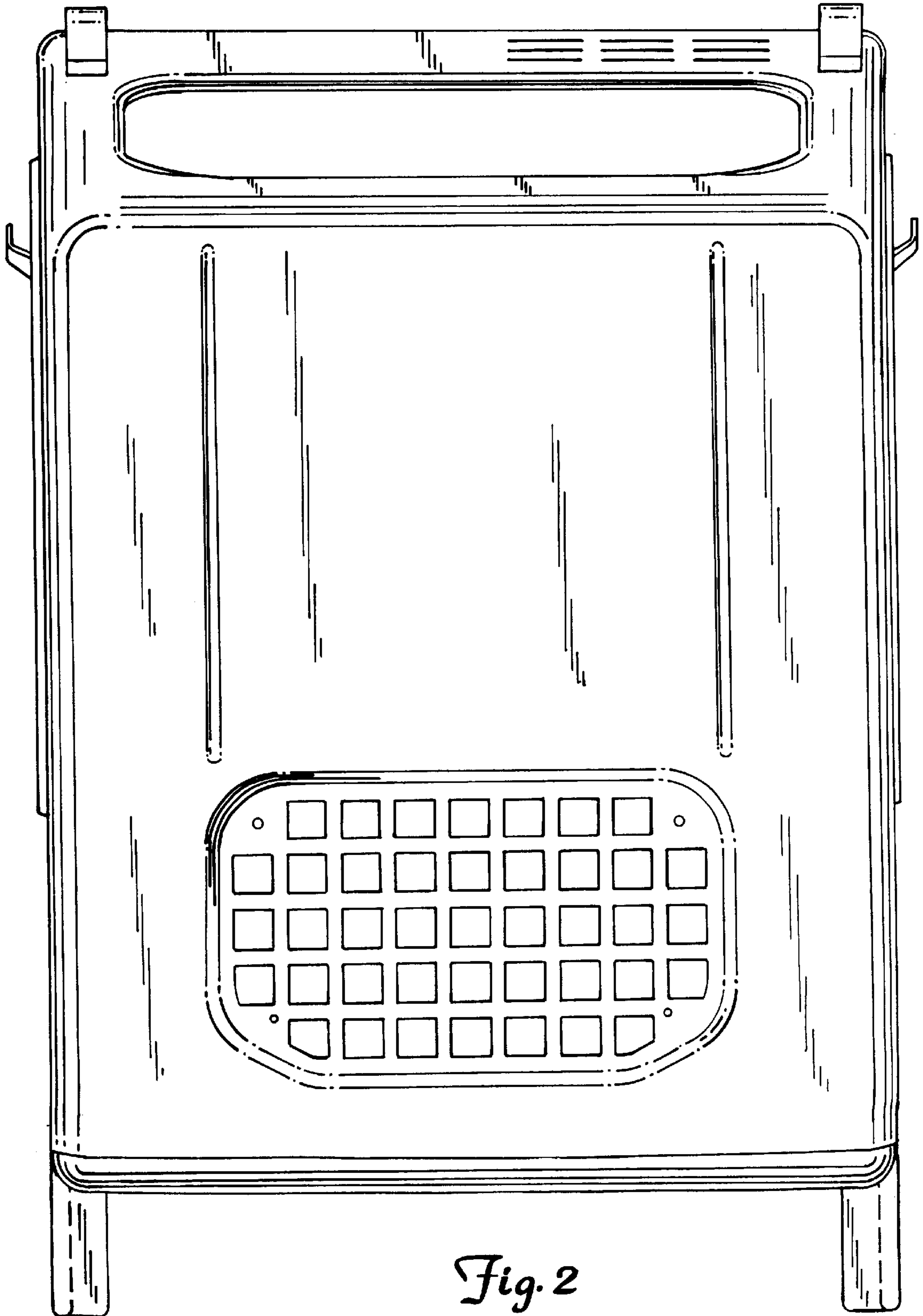
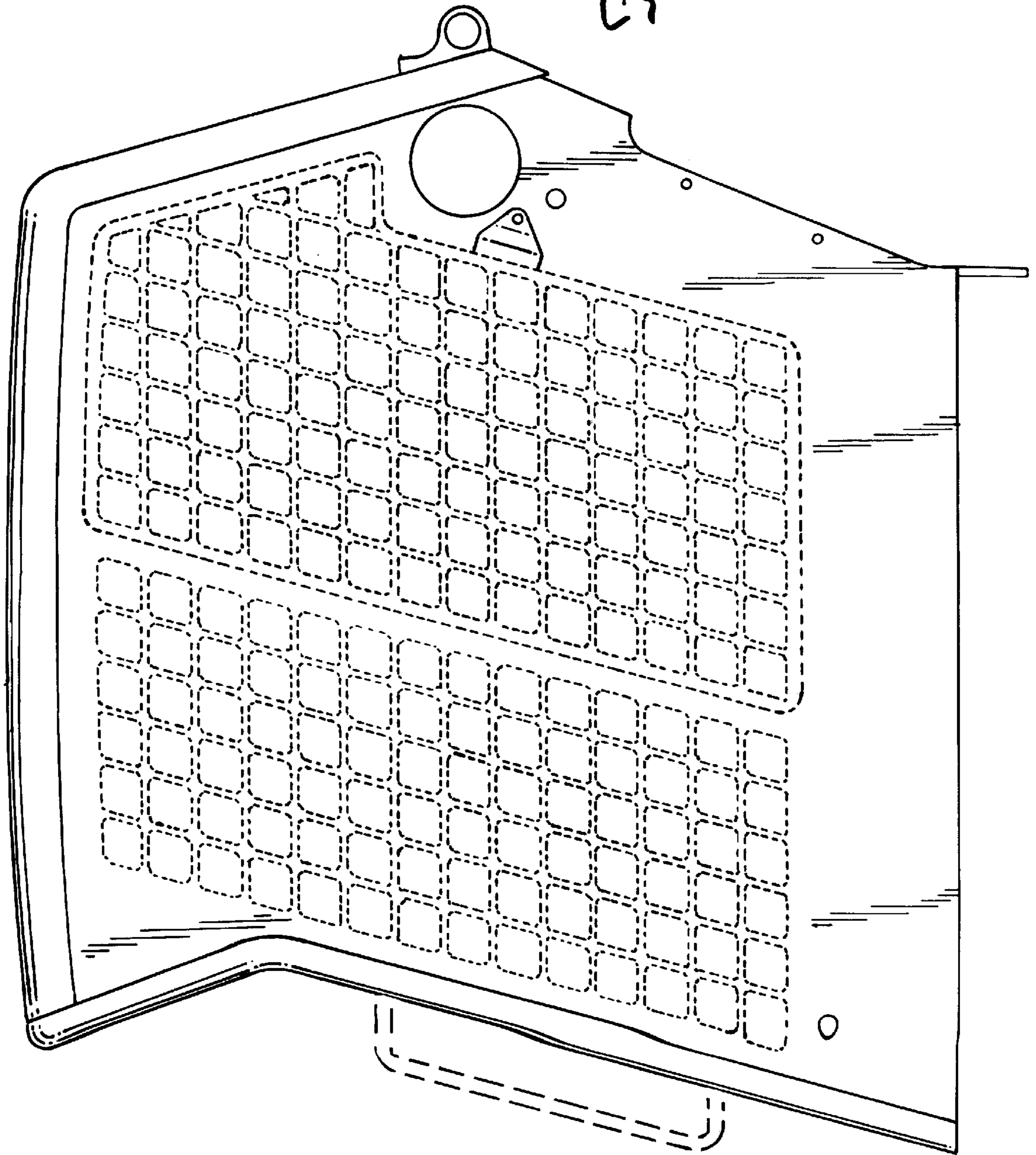


Fig. 2

Fig. 3



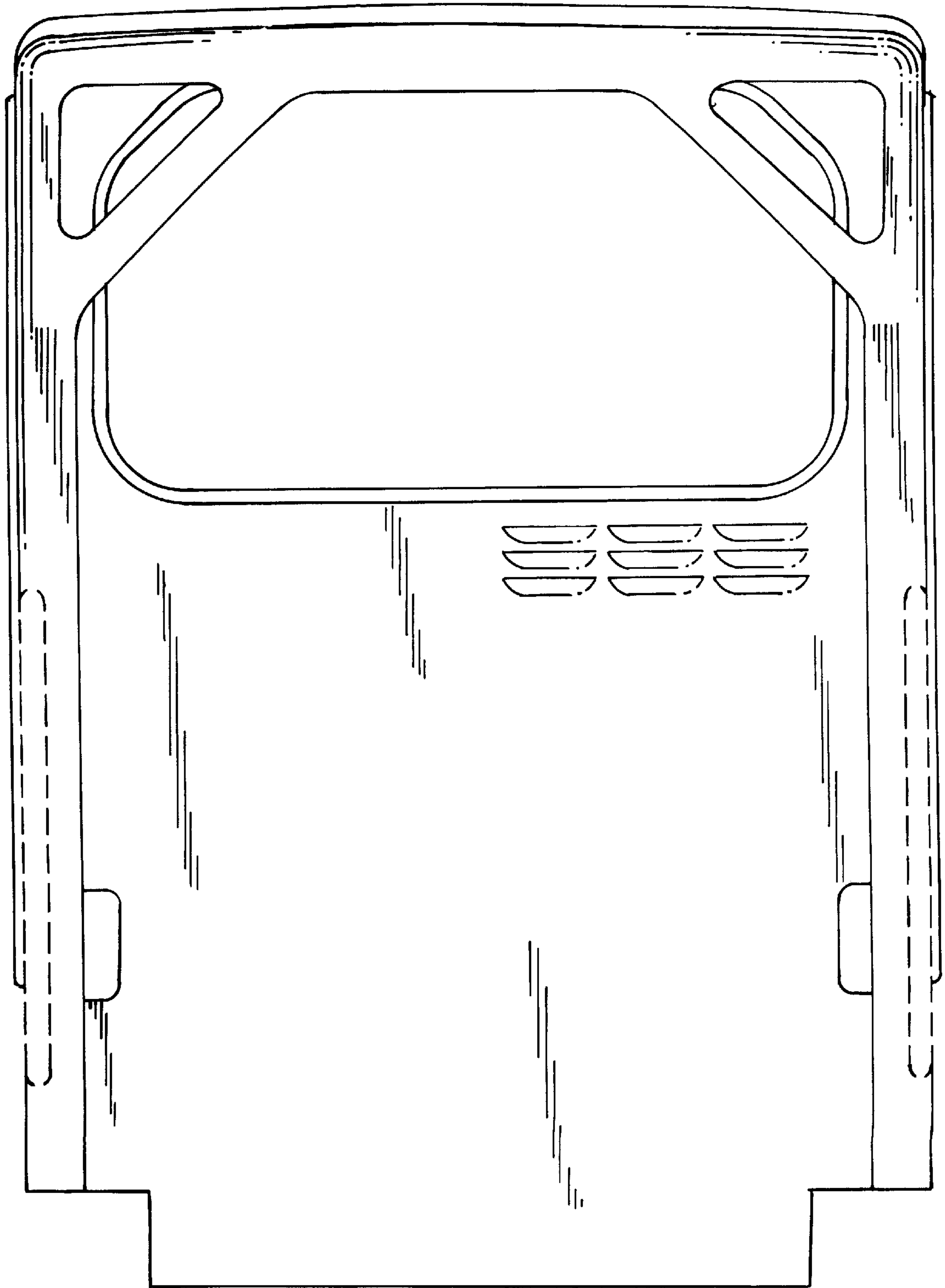
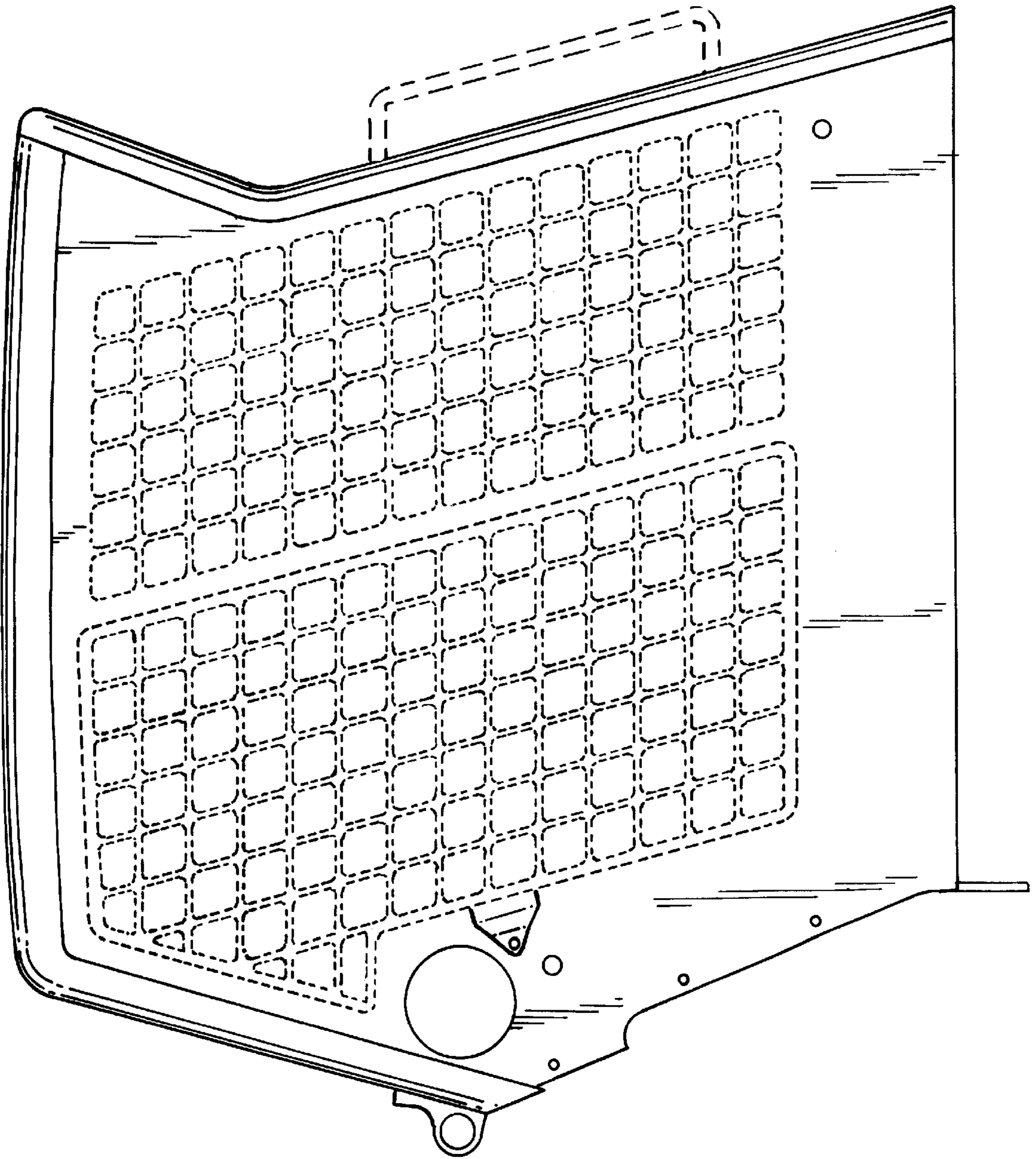


Fig. 4

Fig. 5



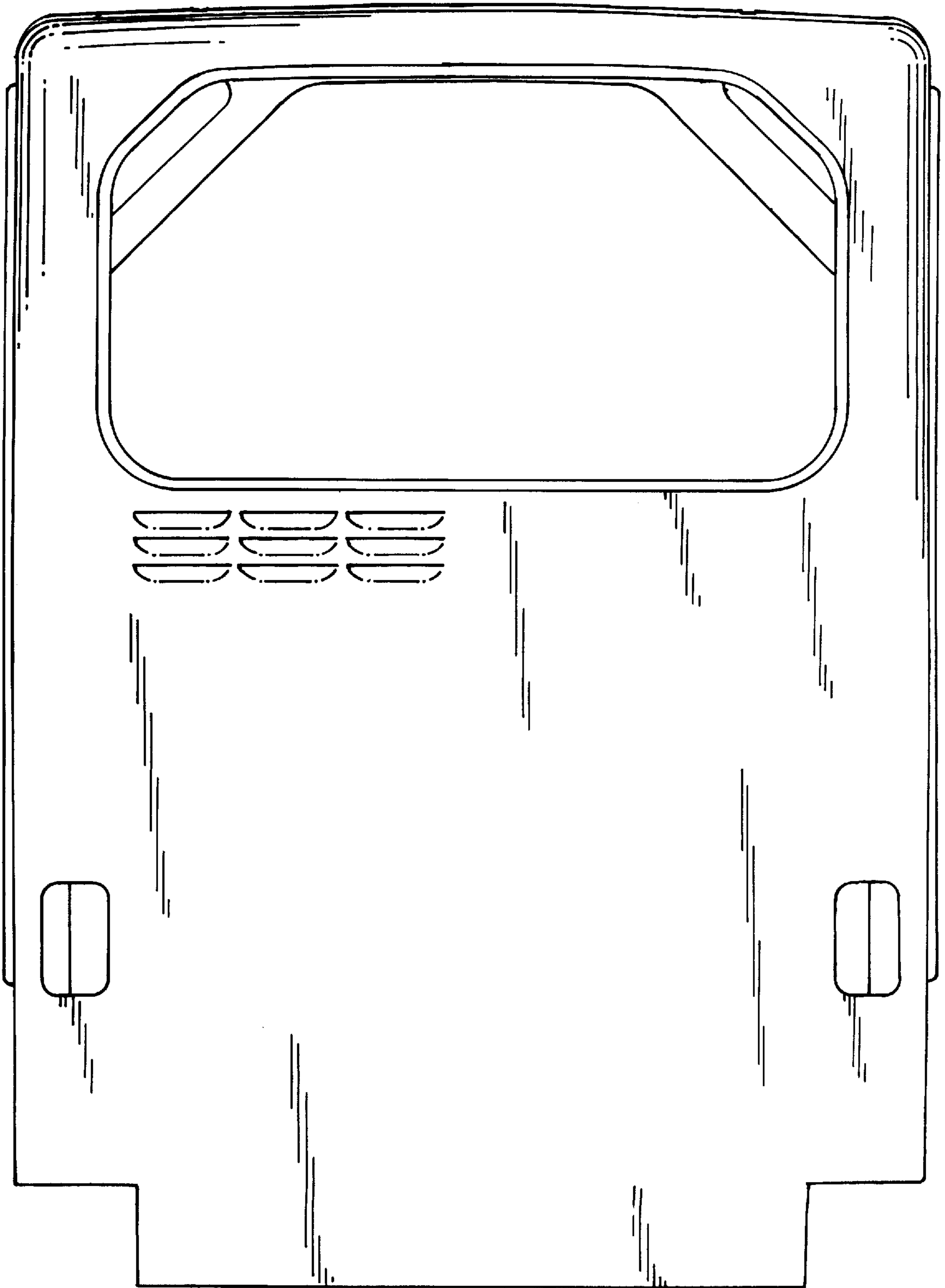


Fig. 6

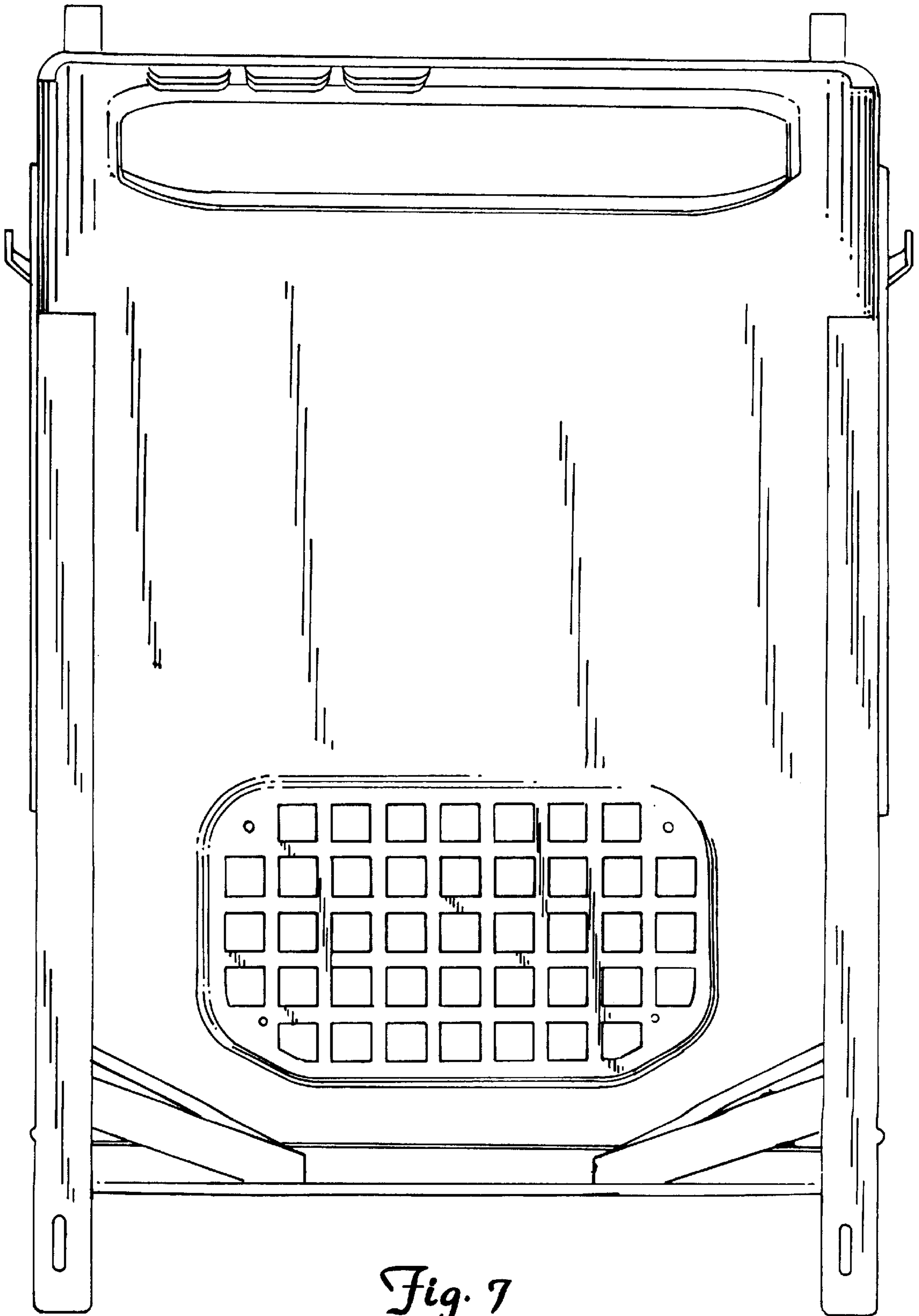


Fig. 7