



US00D424776S

United States Patent [19] Wong

[11] Patent Number: Des. 424,776

[45] Date of Patent: ** May 9, 2000

[54] **ELECTRICALLY CONTROLLED BATTERY DRIVEN JACK**

D. 384,472 9/1997 Lujan D34/31
D. 396,926 8/1998 Underhill et al. D34/31

[76] Inventor: **Peter H. Wong**, 15 Roslyn Hills Dr.,
Richmond, Va. 23229

Primary Examiner—Susan J. Lucas
Assistant Examiner—Cynthia E Ramirez

[**] Term: **14 Years**

[57] **CLAIM**

[21] Appl. No.: **29/098,161**

The ornamental design for an electrically controlled battery driven jack, as shown and described.

[22] Filed: **Dec. 23, 1998**

DESCRIPTION

[51] **LOC (7) Cl.** **12-05**

[52] **U.S. Cl.** **D34/31**

[58] **Field of Search** D34/31; 254/8 B,
254/8 R, 11, 84, 88, 93 H, 1, 813, 120,
124, 426, 126, DIG. 1, 133, 134

FIG. 1 is a perspective view of a first embodiment with a flat bottom and the reverse side the same as the near side;
FIG. 2 is a perspective view of a second embodiment with a flat bottom and the reverse side the same as the near side;
and,
FIG. 3 is a perspective view of a third embodiment with a flat bottom and the reverse side the same as the near side.

[56] **References Cited**

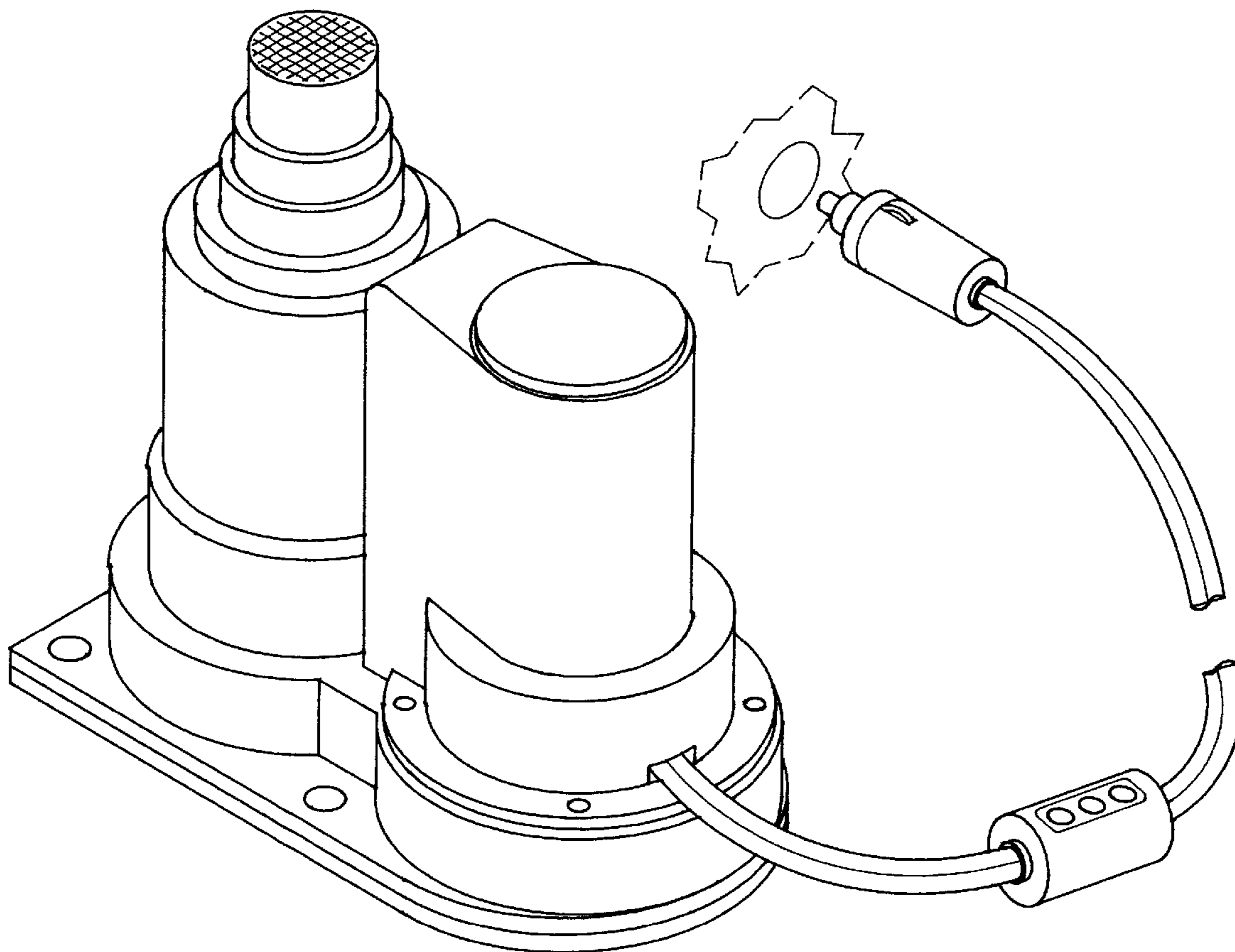
The broken lines in the figures are for illustrative purposes only and form no part of the claimed design.

U.S. PATENT DOCUMENTS

The cord is shown broken away in the figures to show indefinite length.

D. 99,894	6/1936	Runyan	D34/31
D. 140,518	3/1945	Page	D34/31
D. 227,394	6/1973	Hey-Shipton	D34/31
D. 233,883	12/1974	Van Anroon	D34/31
D. 327,764	7/1992	Davis	D34/31

1 Claim, 3 Drawing Sheets



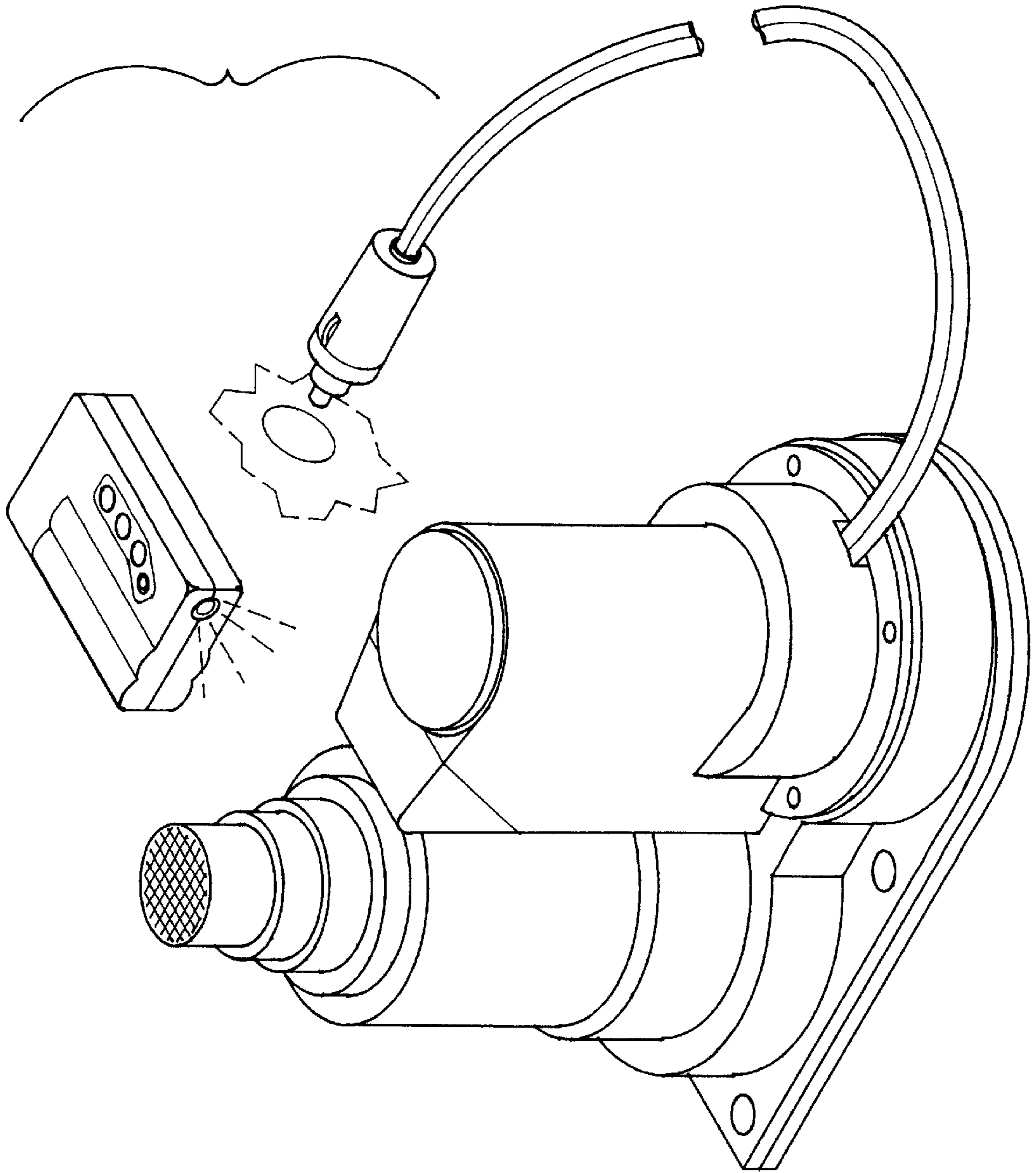


FIG. 1

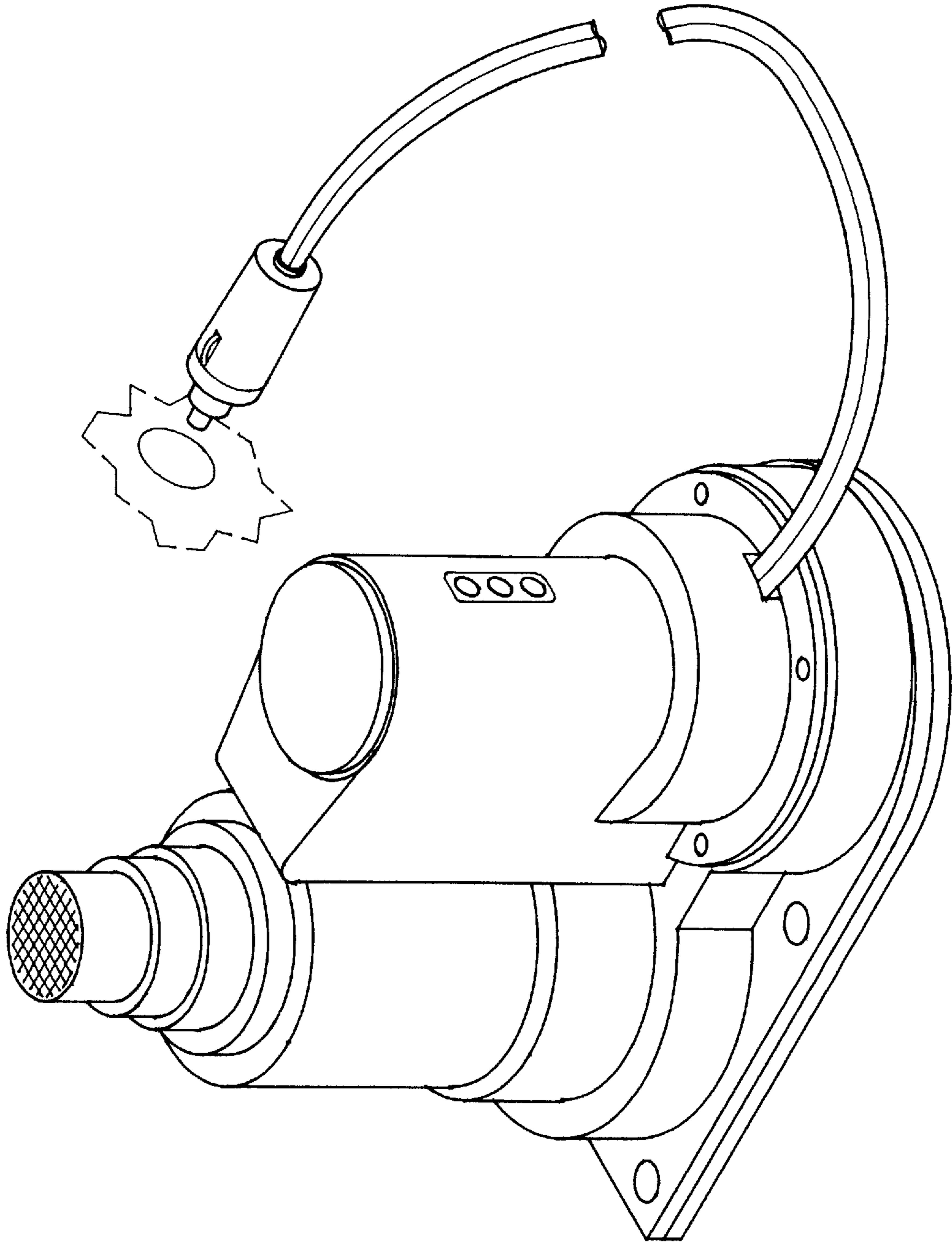


FIG. 2

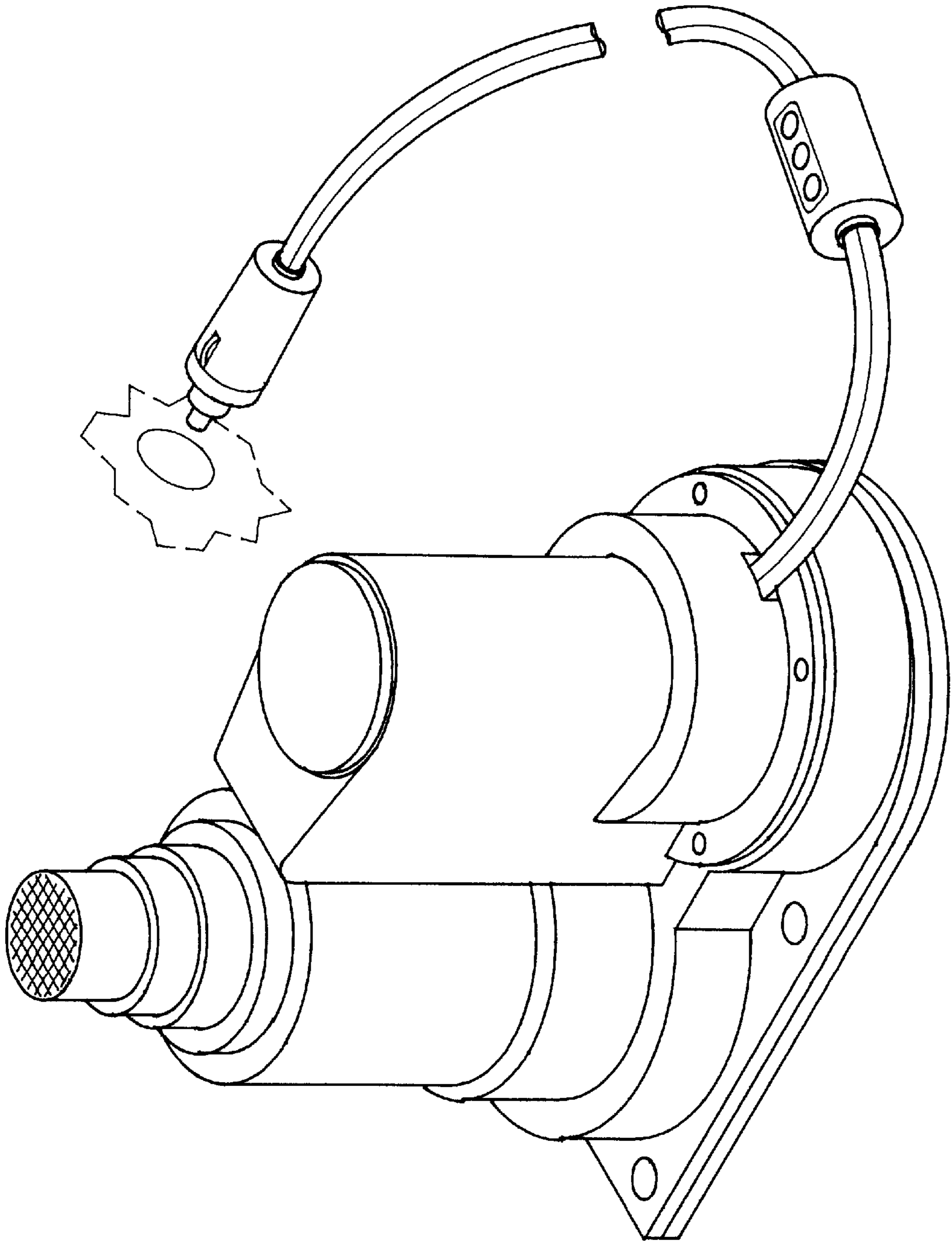


FIG. 3