



US00D424775S

# United States Patent [19]

Rabinowitz et al.

[11] Patent Number: **Des. 424,775**

[45] Date of Patent: **\*\* May 9, 2000**

[54] **COMBINED WHEELBARROW GRIPPING HANDLE AND GRIPPING SLEEVE**

[76] Inventors: **Natalie R. Rabinowitz; Jeffery R. Hadley**, both of 2570 Gold Rush Dr., #7, Colorado Springs, Colo. 80906

[\*\*] Term: **14 Years**

[21] Appl. No.: **29/103,913**

[22] Filed: **Apr. 26, 1999**

[51] **LOC (7) Cl.** ..... **12-02**

[52] **U.S. Cl.** ..... **D34/27; D8/107**

[58] **Field of Search** ..... D34/12-27; 280/33, 280/992, 47, 17; 16/111 R; D8/107, 14; 74/551.9; D12/178

[56] **References Cited**

**U.S. PATENT DOCUMENTS**

- D. 185,613 6/1959 Price ..... D12/178
- D. 314,500 2/1991 Germain ..... D8/107
- D. 342,884 1/1994 Skroskis ..... D8/107

- D. 357,099 4/1995 Sammons, Jr. .... D34/27
- 4,114,471 9/1978 White ..... 74/551.6
- 4,785,495 11/1988 Dellis ..... 16/111 R
- 4,890,355 1/1990 Schulten ..... 16/111 R
- 5,348,360 9/1994 Mencarelli et al. .... 294/57

*Primary Examiner*—Kay H. Chin  
*Attorney, Agent, or Firm*—G. F. Gallinger

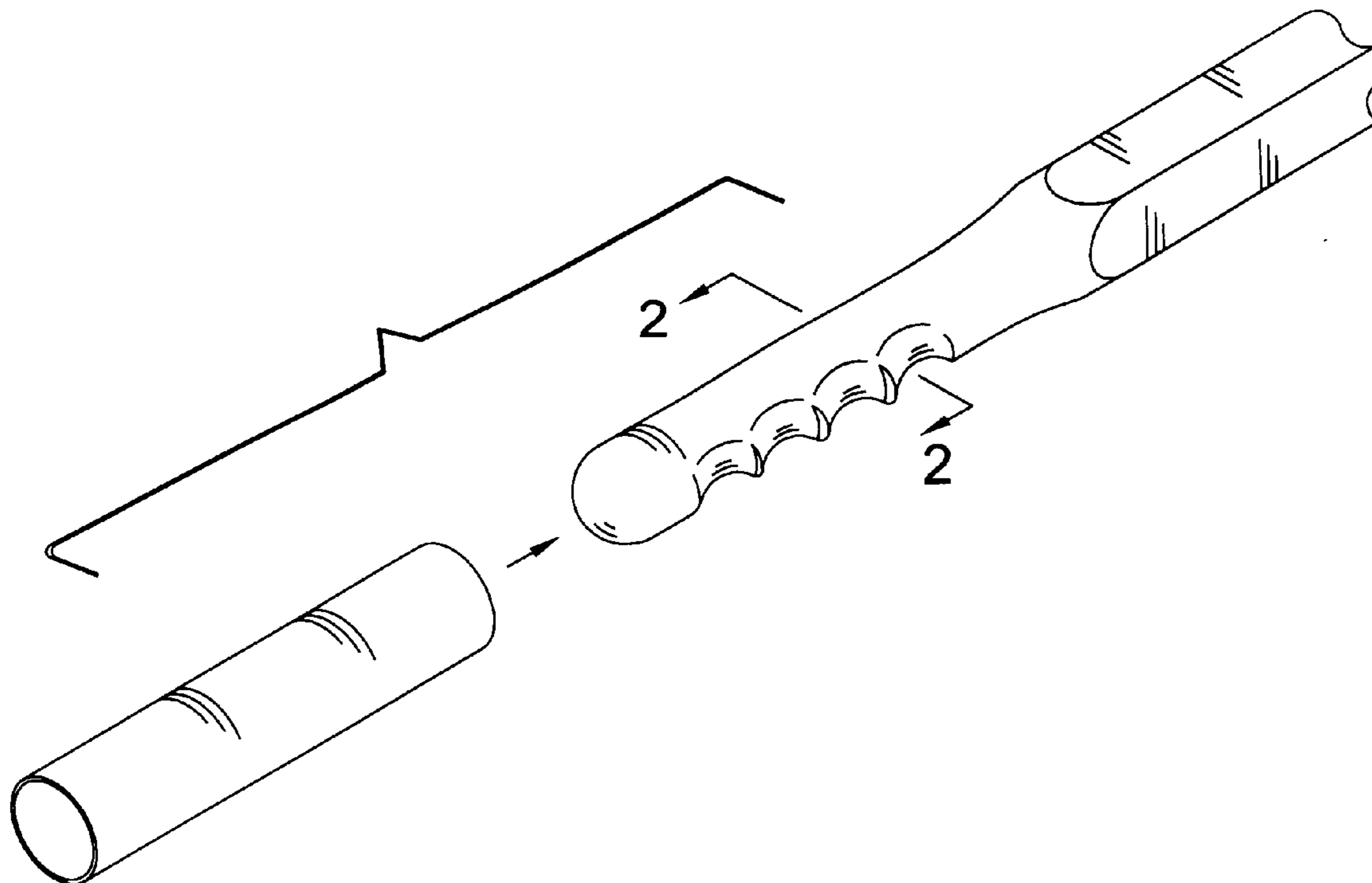
[57] **CLAIM**

The ornamental design for a combined wheelbarrow gripping handle and gripping sleeves, as shown and described.

**DESCRIPTION**

FIG. 1 is a disassembled perspective view of a combined wheelbarrow gripping handle and gripping sleeves. FIG. 2 is a cross sectional view of the combined wheelbarrow gripping handle and gripping sleeve taken along line 2—2 in FIG. 1; and, FIG. 3 is a perspective view of the plan view of the combined wheelbarrow gripping handle and gripping sleeve shown in FIG. 1.

**1 Claim, 1 Drawing Sheet**



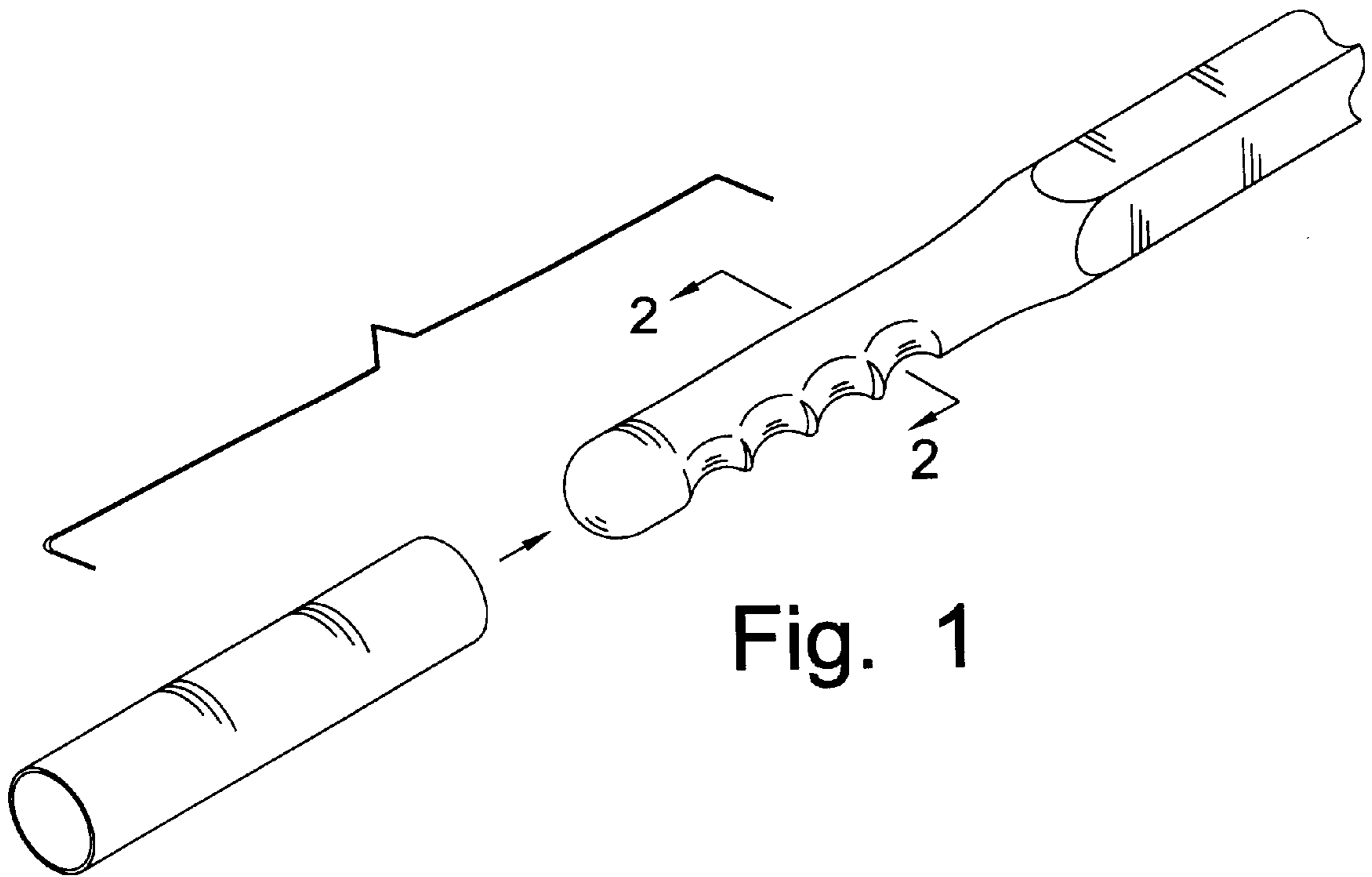


Fig. 1

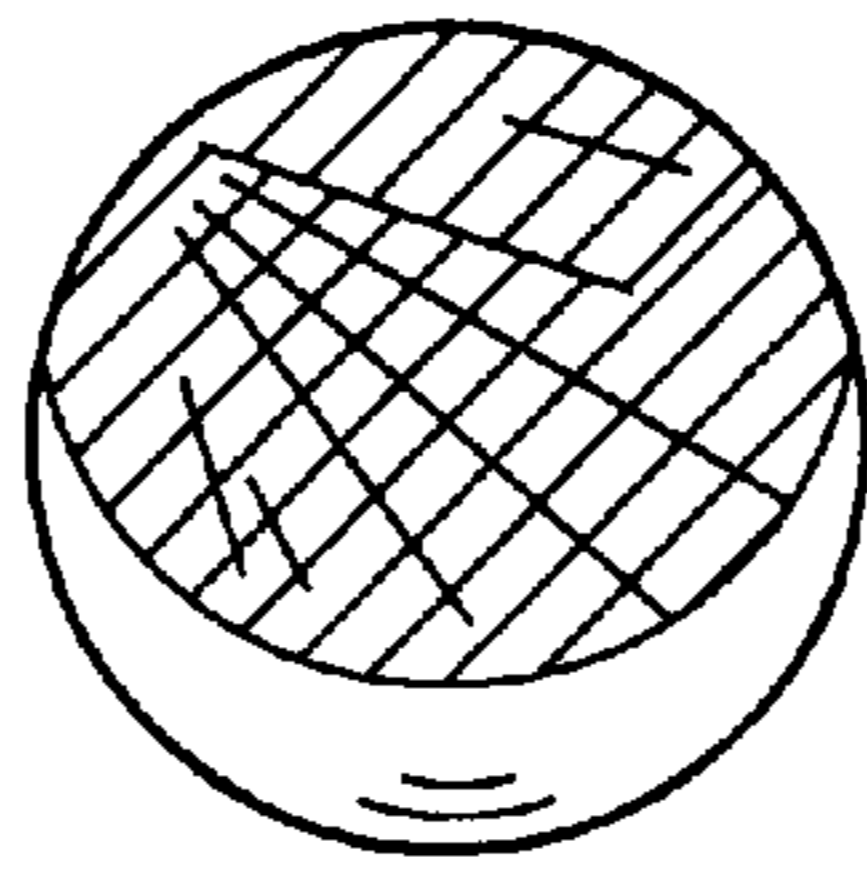


Fig. 2

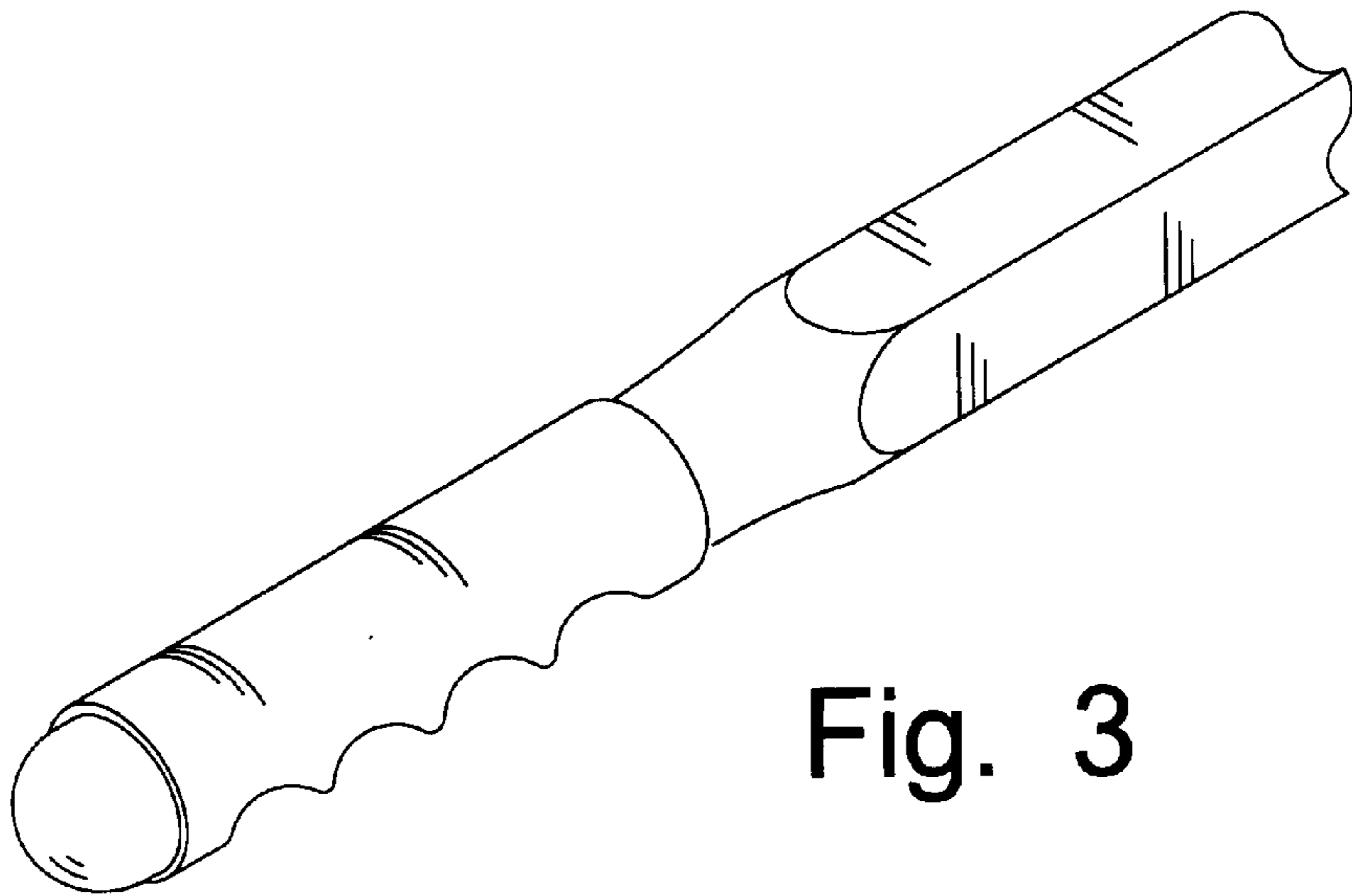


Fig. 3