



US00D424774S

United States Patent [19]
Zarley

[11] **Patent Number: Des. 424,774**

[45] **Date of Patent: ** May 9, 2000**

[54] **PORTABLE WIRE DISPENSING REEL FOR BARBED WIRE**

D. 330,960 11/1992 Henderson D34/26
D. 360,726 7/1995 Carter D34/24
5,179,972 1/1993 Eley 242/397

[76] Inventor: **Donald H. Zarley**, 3709 Southern Hills Dr., Des Moines, Iowa 50321

Primary Examiner—Holly Baynham

[**] Term: **14 Years**

[57] **CLAIM**

[21] Appl. No.: **29/112,125**

I claim the ornamental design for a portable wire dispensing reel for barbed wire, as shown.

[22] Filed: **Oct. 8, 1999**

DESCRIPTION

[51] **LOC (7) Cl.** **12-02**

[52] **U.S. Cl.** **D34/26; D8/359; D34/24**

[58] **Field of Search** D8/359; 242/391, 242/403.1, 405.3, 129.53, 397; D34/24, 26

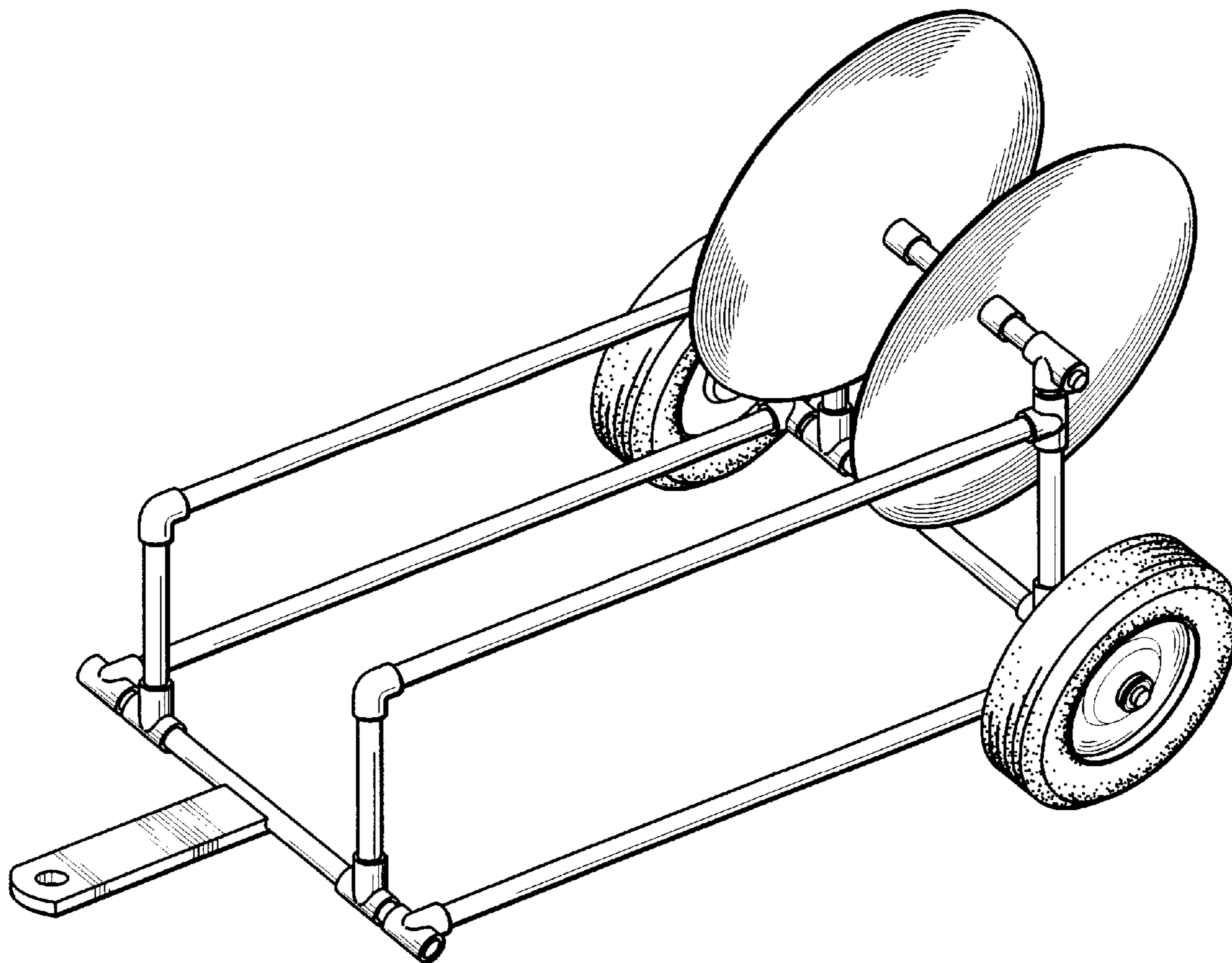
FIG. 1 is a perspective view of a portable wire dispensing reel for barbed wire showing my new design; FIG. 2 is a typical side elevational view thereof; FIG. 3 is a top plan view thereof; FIG. 4 is a front elevational view thereof; and, FIG. 5 is a rear elevational view thereof.

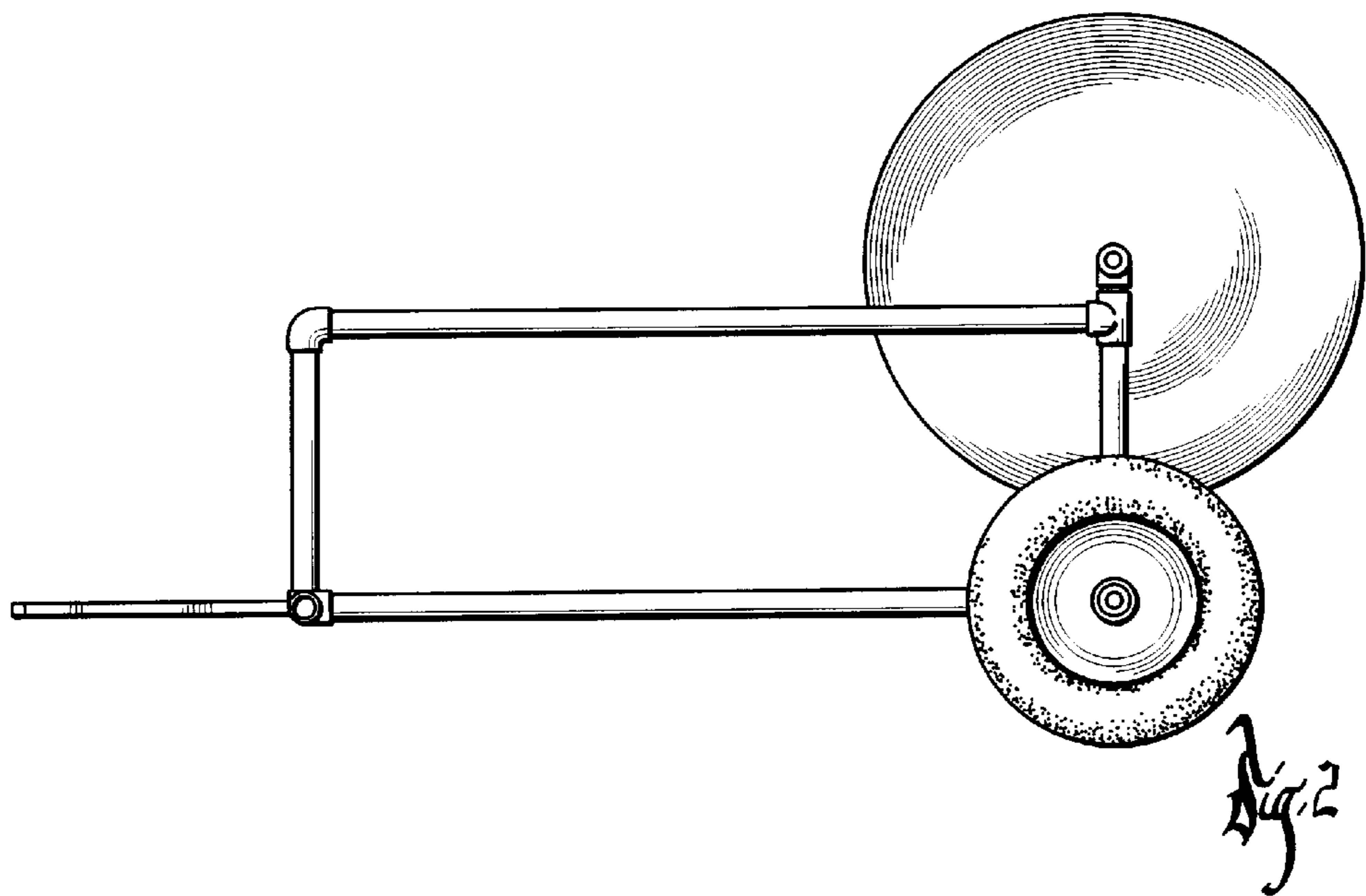
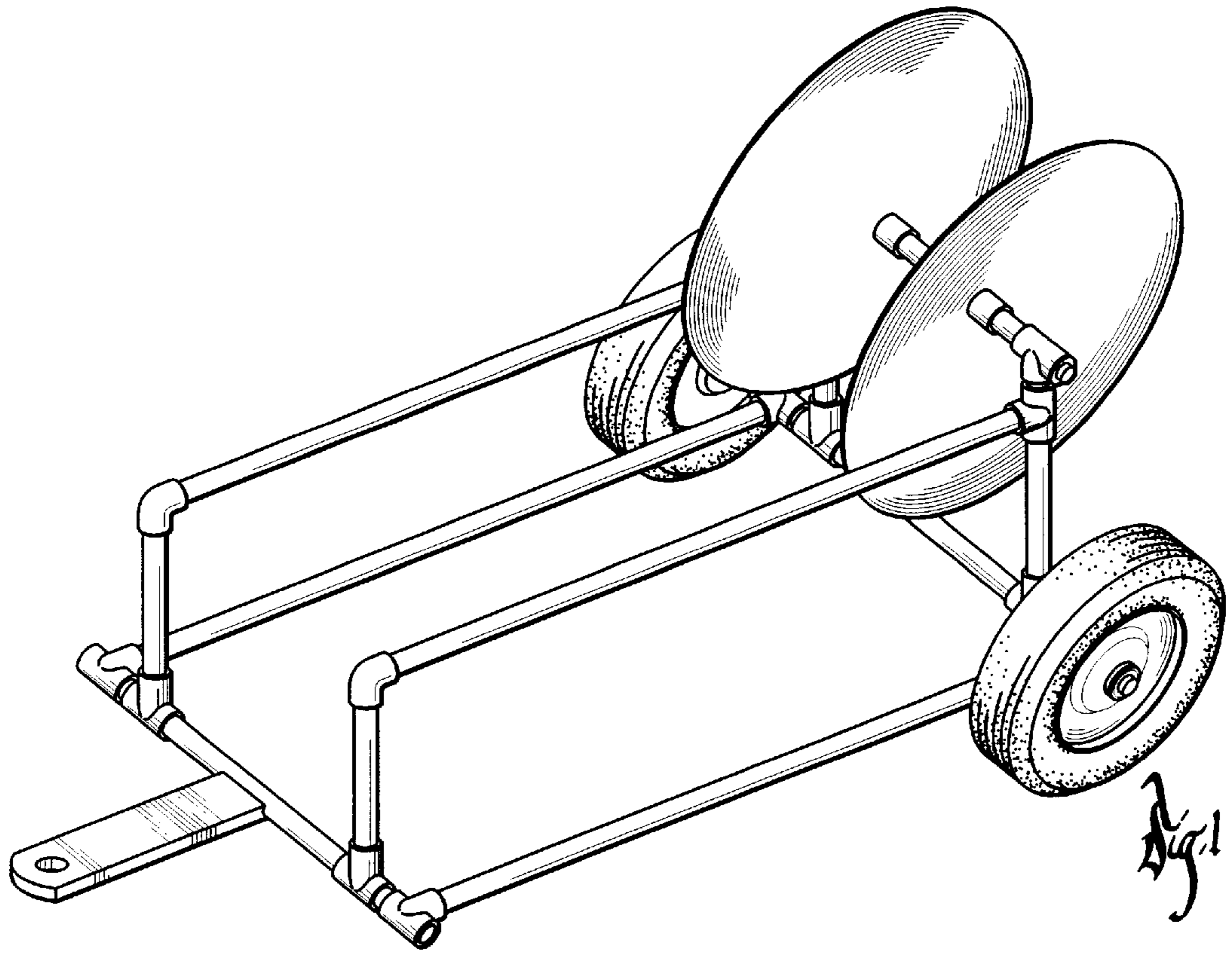
[56] **References Cited**

U.S. PATENT DOCUMENTS

D. 328,378 7/1992 Hargrove D34/24

1 Claim, 2 Drawing Sheets





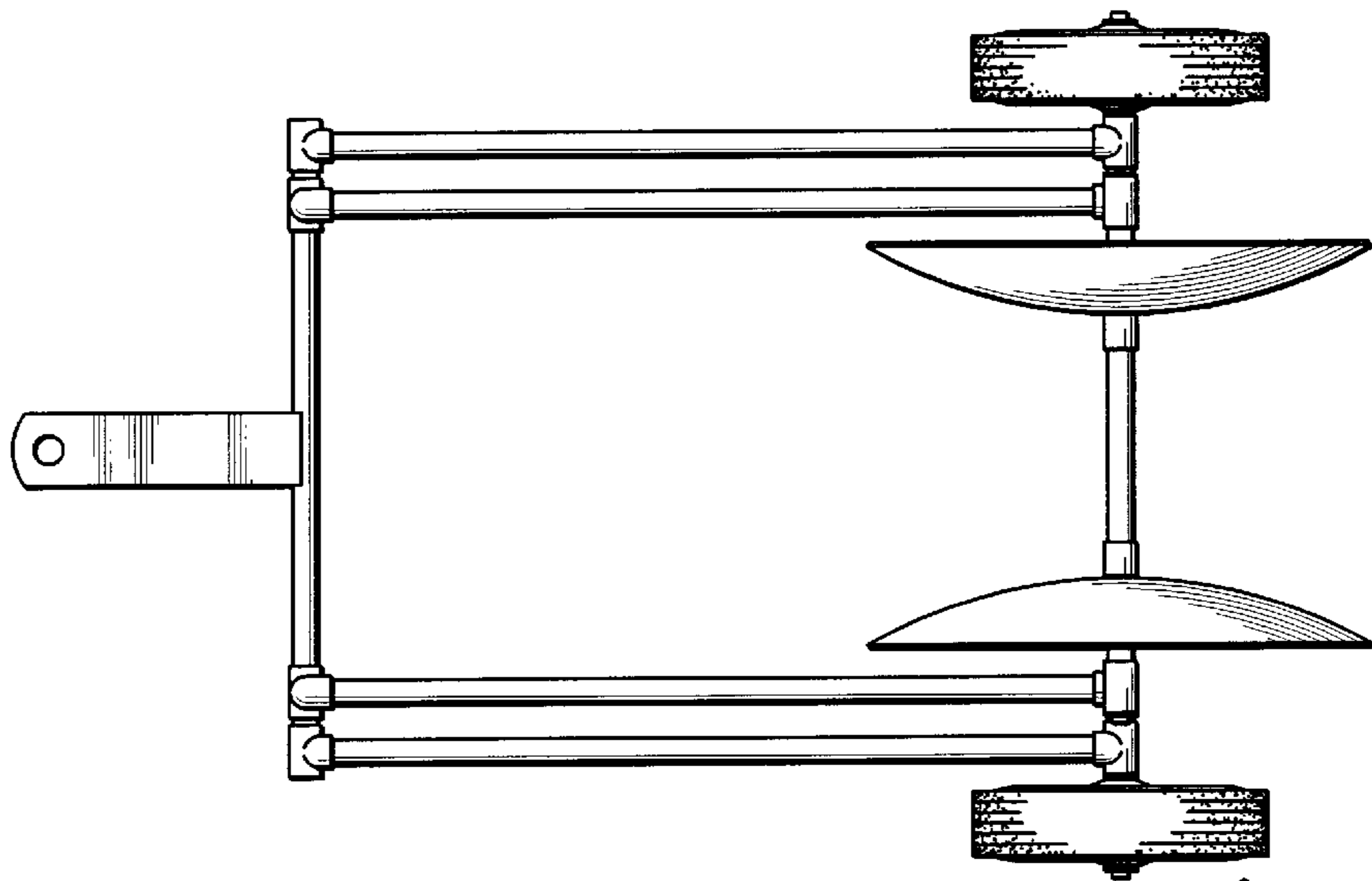


Fig. 3

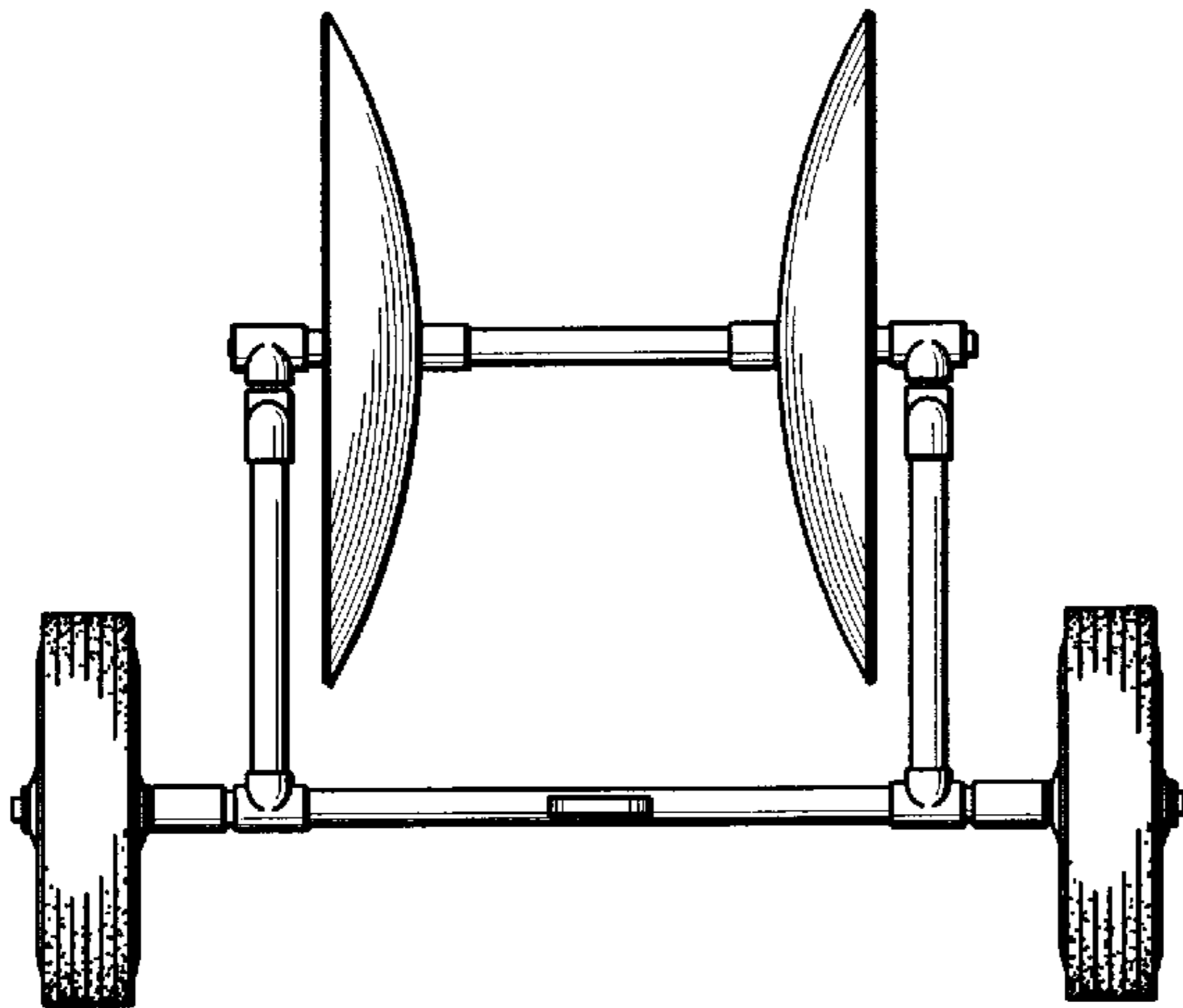


Fig. 4

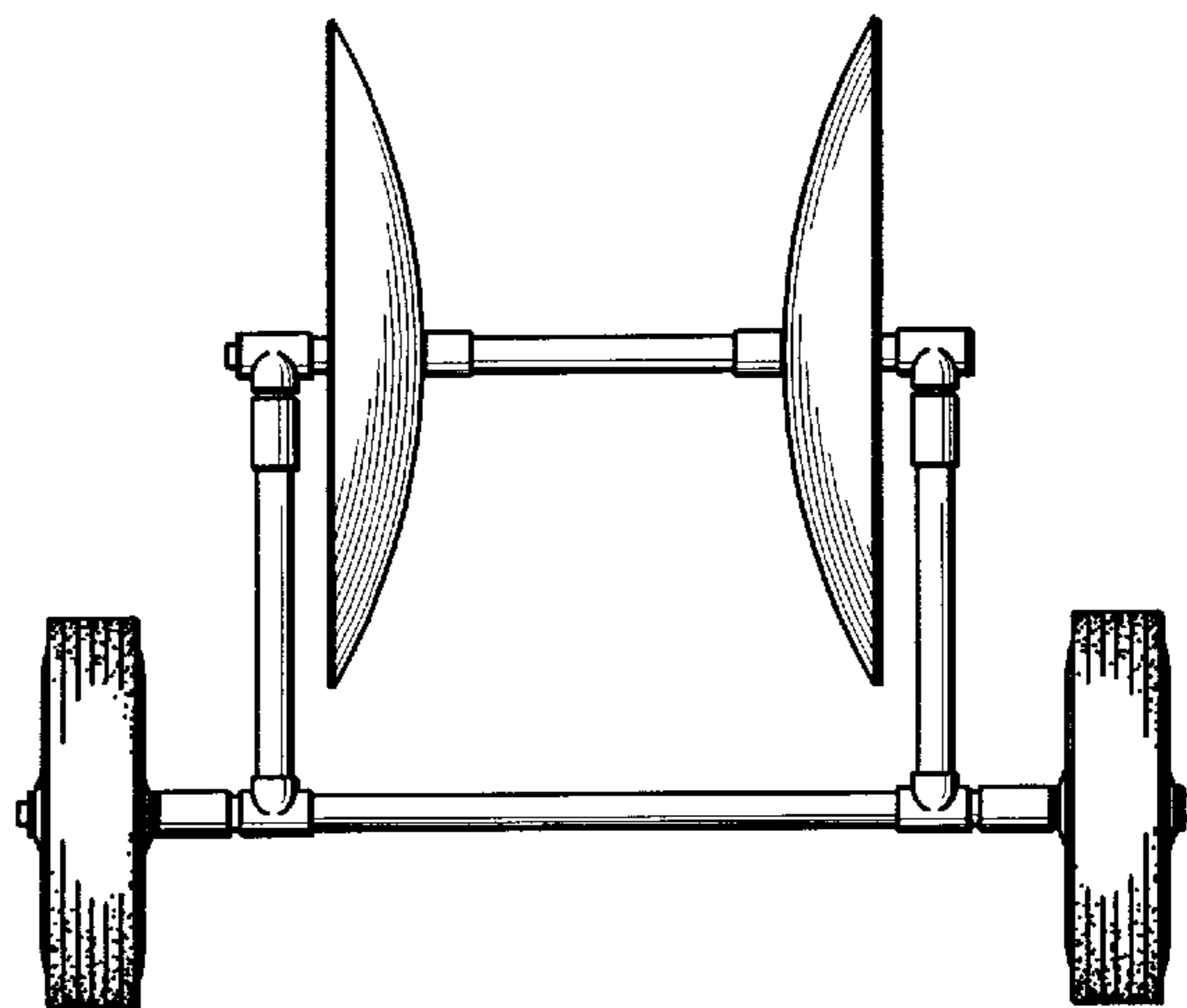


Fig. 5