



US00D424773S

United States Patent [19] Granberg

[11] Patent Number: Des. 424,773

[45] Date of Patent: ** May 9, 2000

[54] TRANSPORT CARRIAGE

[75] Inventor: Ann Granberg, Göteborg, Sweden

[73] Assignee: S. Berendsen AB, Sweden

[**] Term: 14 Years

[21] Appl. No.: 29/093,130

[22] Filed: Sep. 3, 1998

[30] Foreign Application Priority Data

Mar. 3, 1998 [SE] Sweden 980500

[51] LOC (7) Cl. 12-02

[52] U.S. Cl. D34/20; D34/21

[58] Field of Search D34/12-27; 280/47.34,
280/47.35, 79.3; 312/209, 249.8; D6/436,
462, 430, 445, 446, 447

[56] References Cited

U.S. PATENT DOCUMENTS

D. 335,566	5/1993	Spriggs et al.	D34/14
D. 355,517	2/1995	Campbell et al.	D34/20
D. 374,532	10/1996	Pool	D34/21
D. 395,108	6/1998	Pool	D34/21

Primary Examiner—Kay H. Chin

Attorney, Agent, or Firm—Smith, Gambrell & Russell, LLP
Beveridge, DeGrandi, Weilacher & Young Intellectual
Property Group

[57] CLAIM

The ornamental design for a transport carriage, as shown and described.

DESCRIPTION

FIG. 1 is a perspective side elevational view of a transport carriage showing my new design, as viewed from one side; FIG. 2 is a perspective side elevational view thereof, as viewed from the other side;

FIG. 3 is a perspective side elevational view of a main part thereof, as viewed from one side in a first state in which the internal trays are horizontal;

FIG. 4 is a perspective side elevational view of the main part thereof, as viewed from said one side in a second state in which the internal trays are vertical;

FIG. 5 is a perspective side elevational view of the main part thereof, as viewed from the other side;

FIG. 6 is a perspective side elevational view of a first side part thereof, as viewed from one side;

FIG. 7 is a perspective side elevational view of the first side part thereof, as viewed from the other side;

FIG. 8 is a perspective side elevational view of a second side part thereof, as viewed from one side; and,

FIG. 9 is a perspective side elevational view of the second side part thereof, as viewed from the other side.

1 Claim, 4 Drawing Sheets

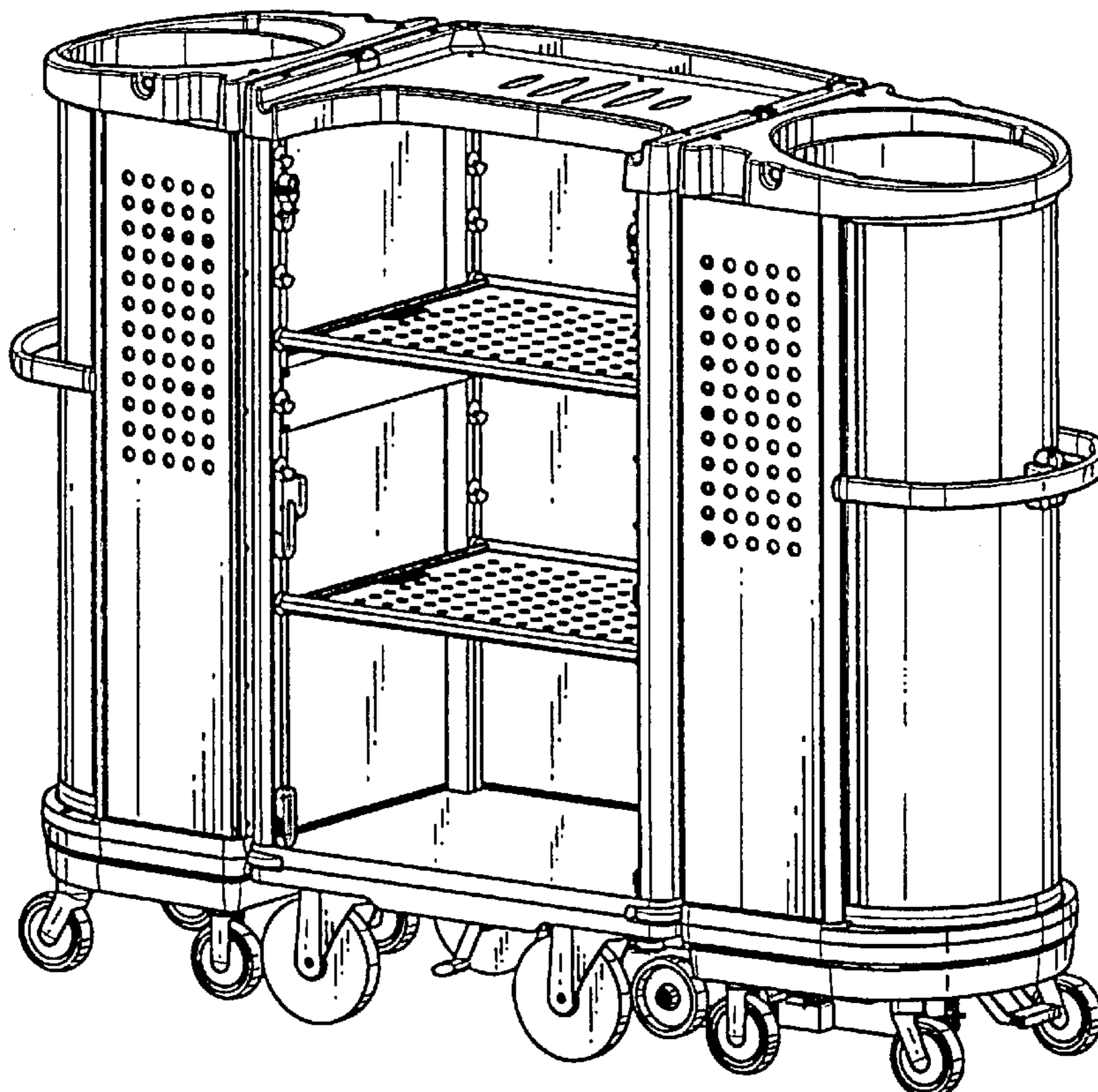


FIG.1

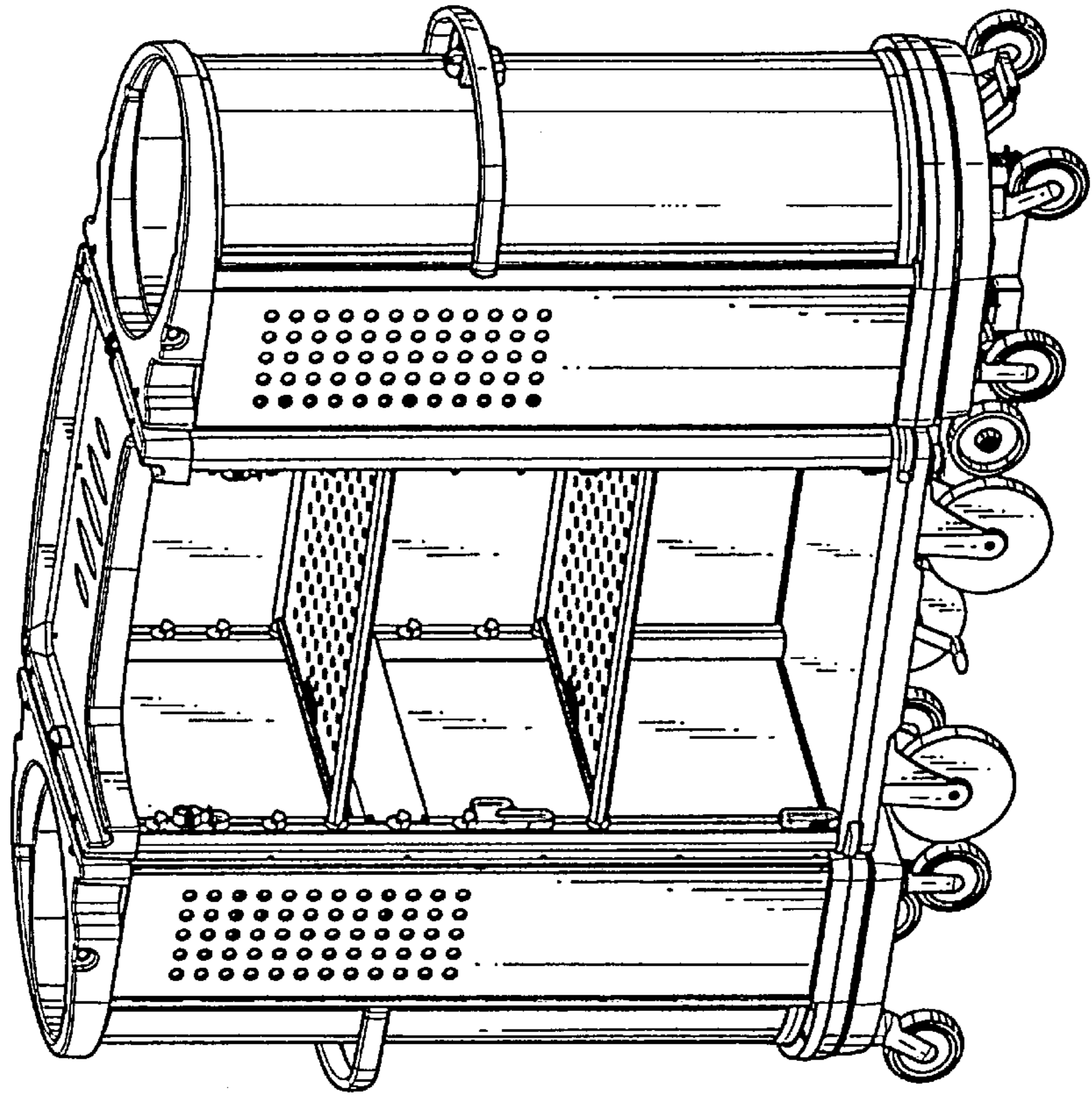


FIG.2

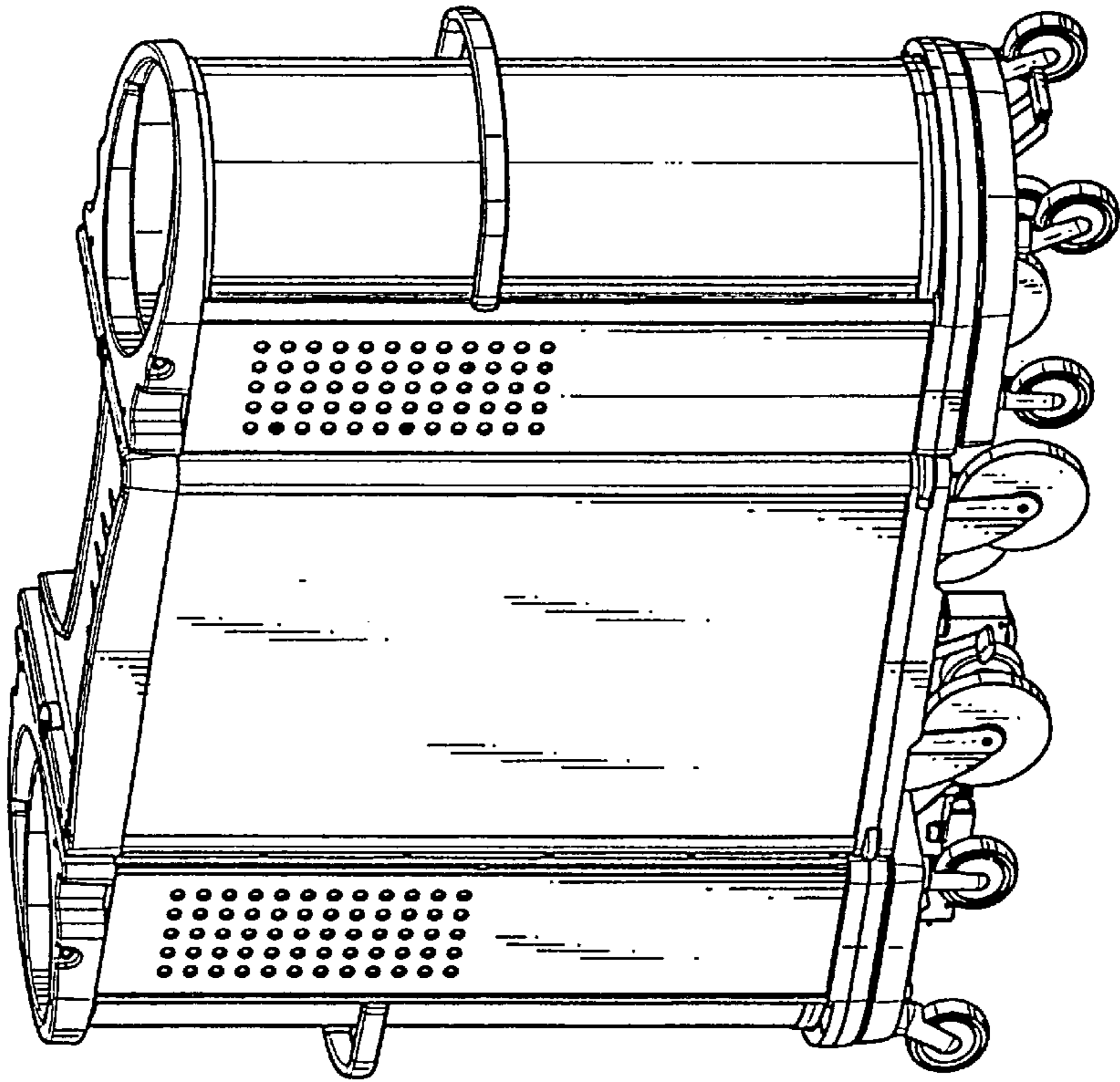


FIG.4

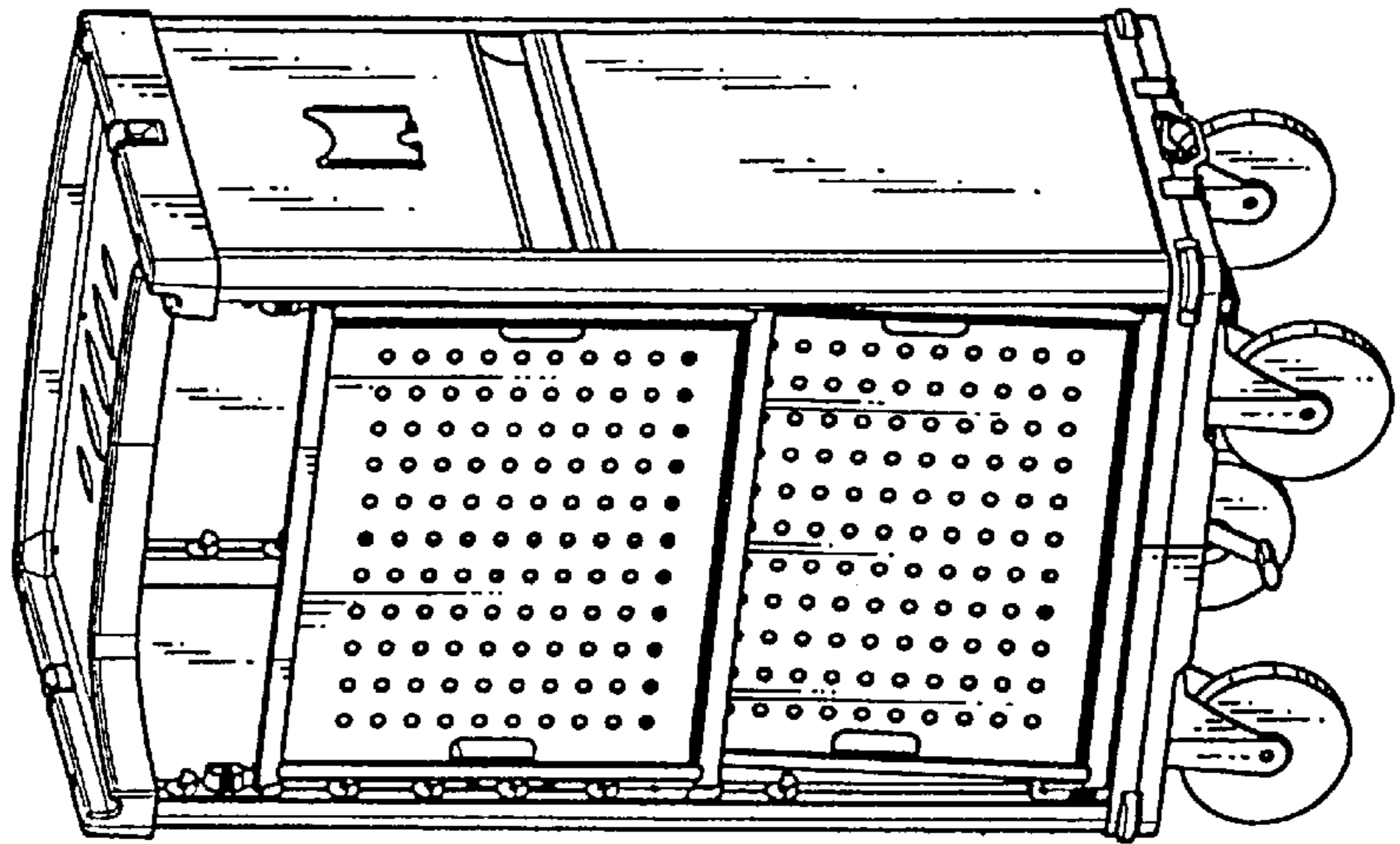


FIG.3

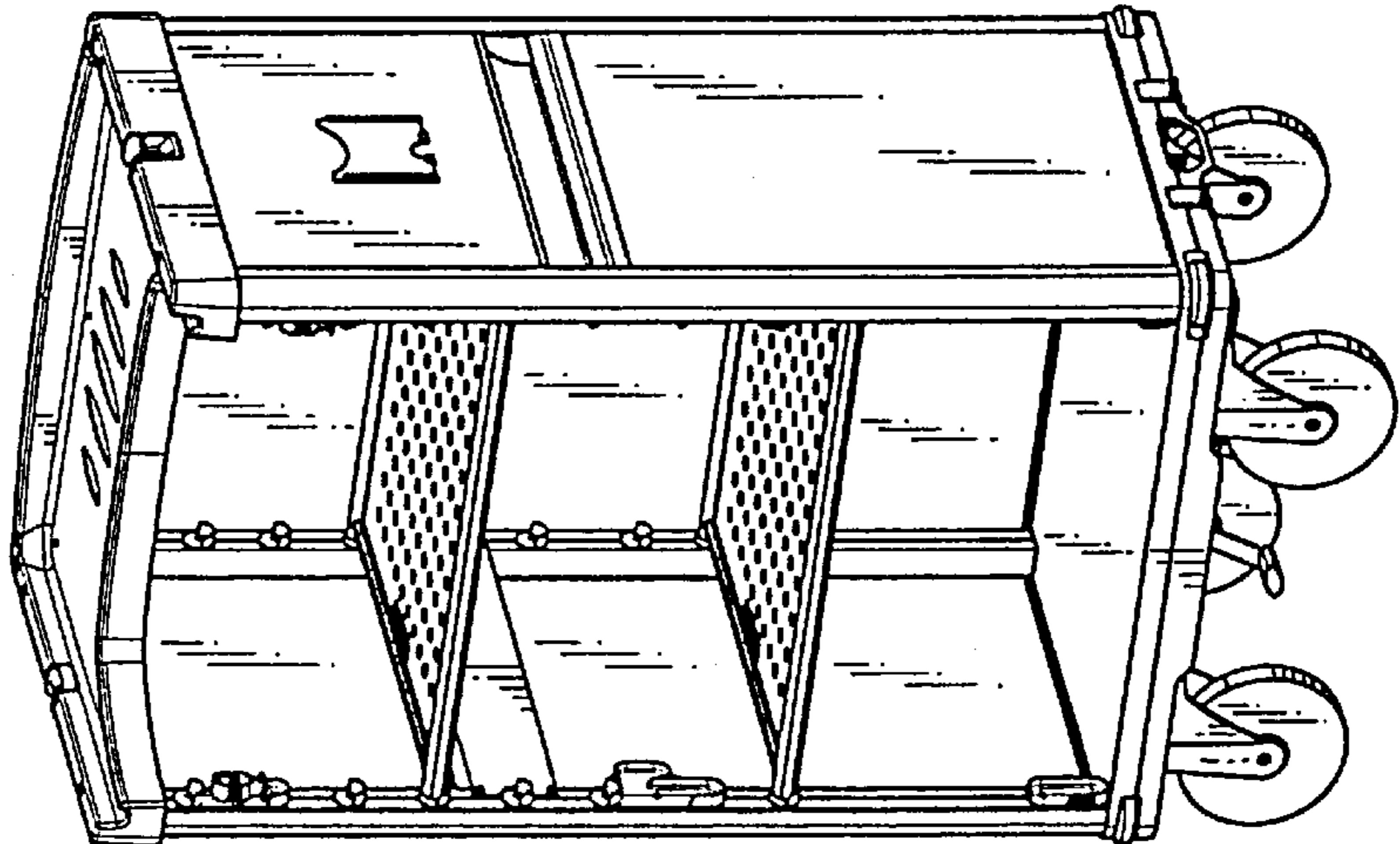


FIG.5

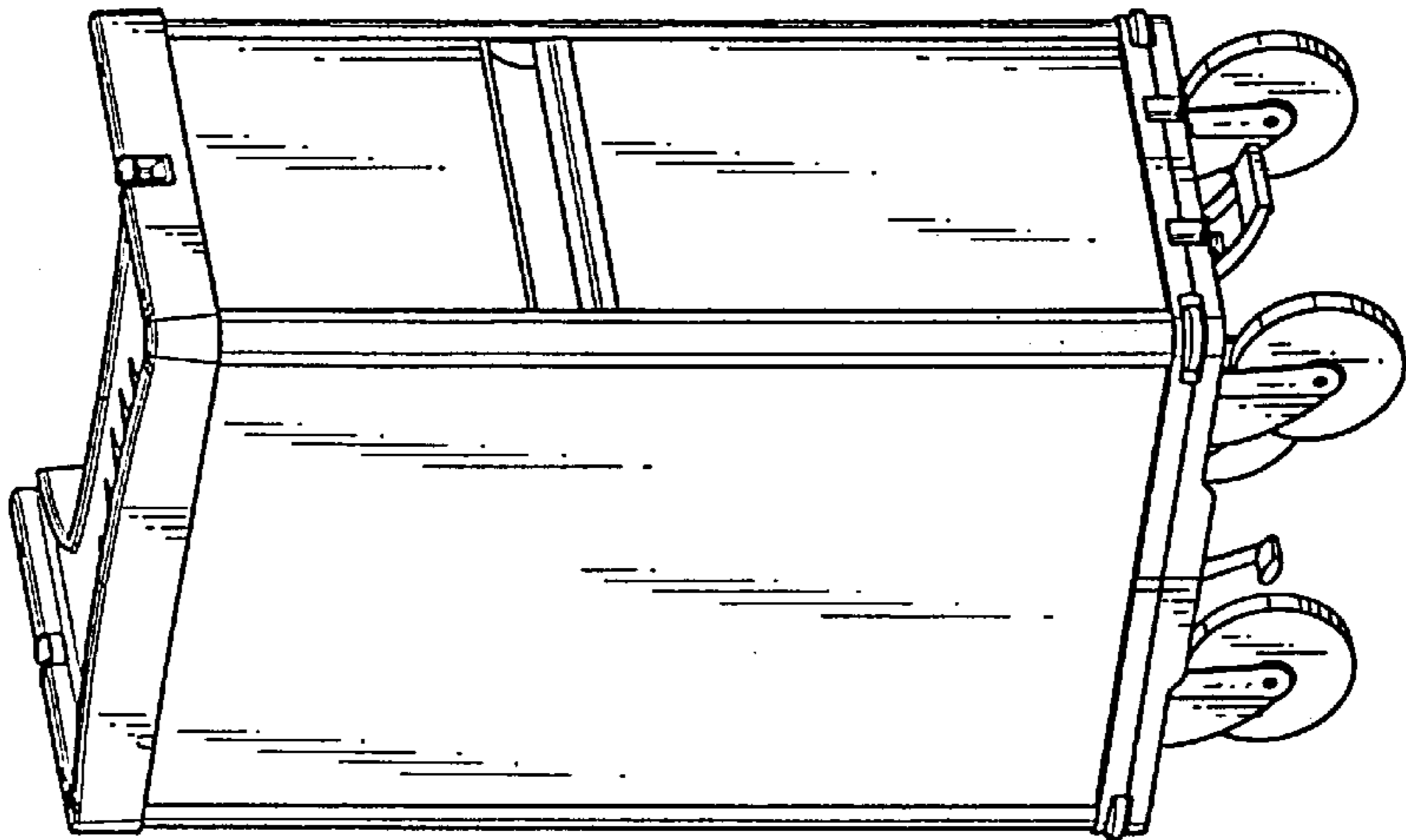


FIG.6

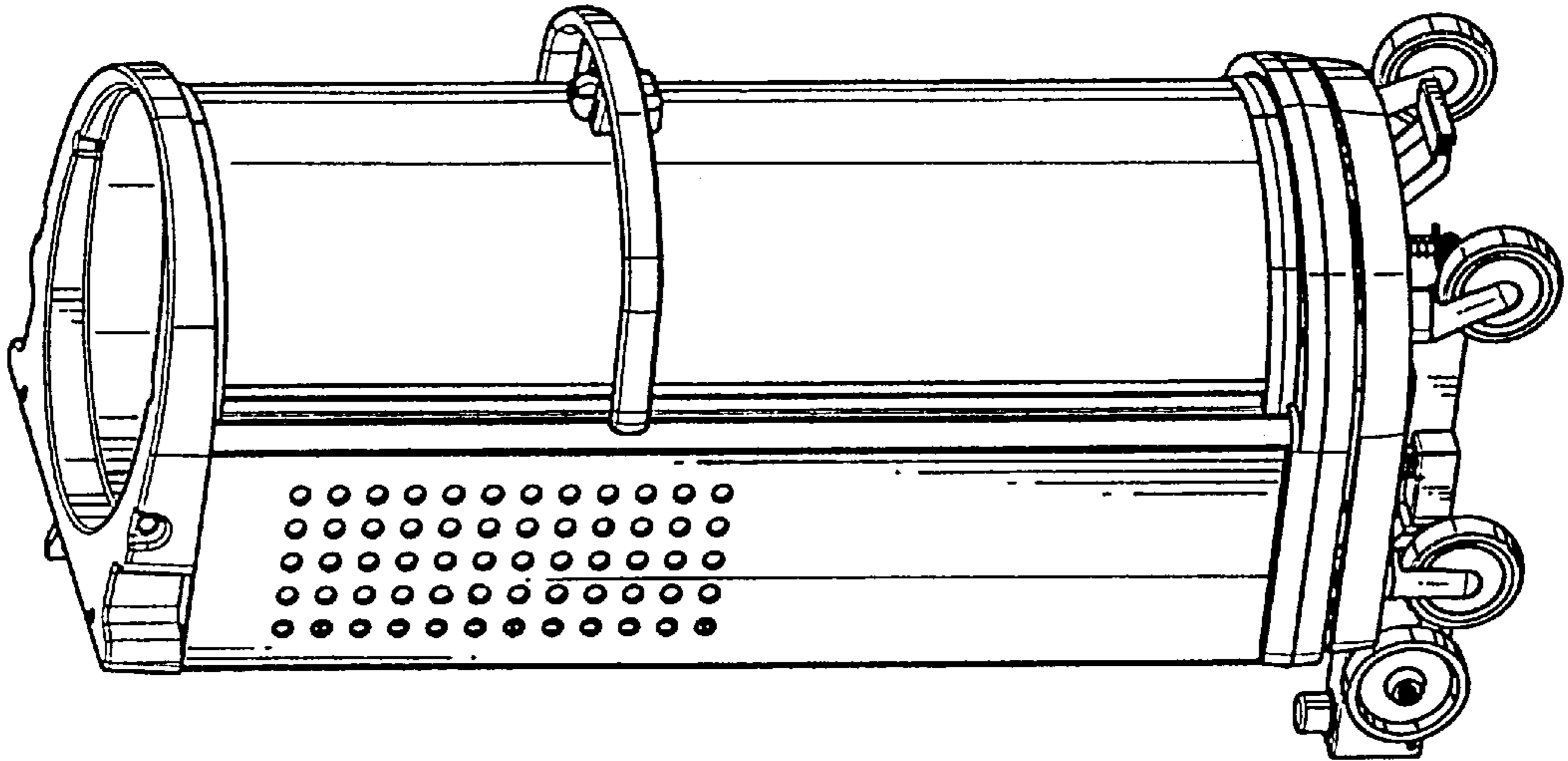


FIG.7

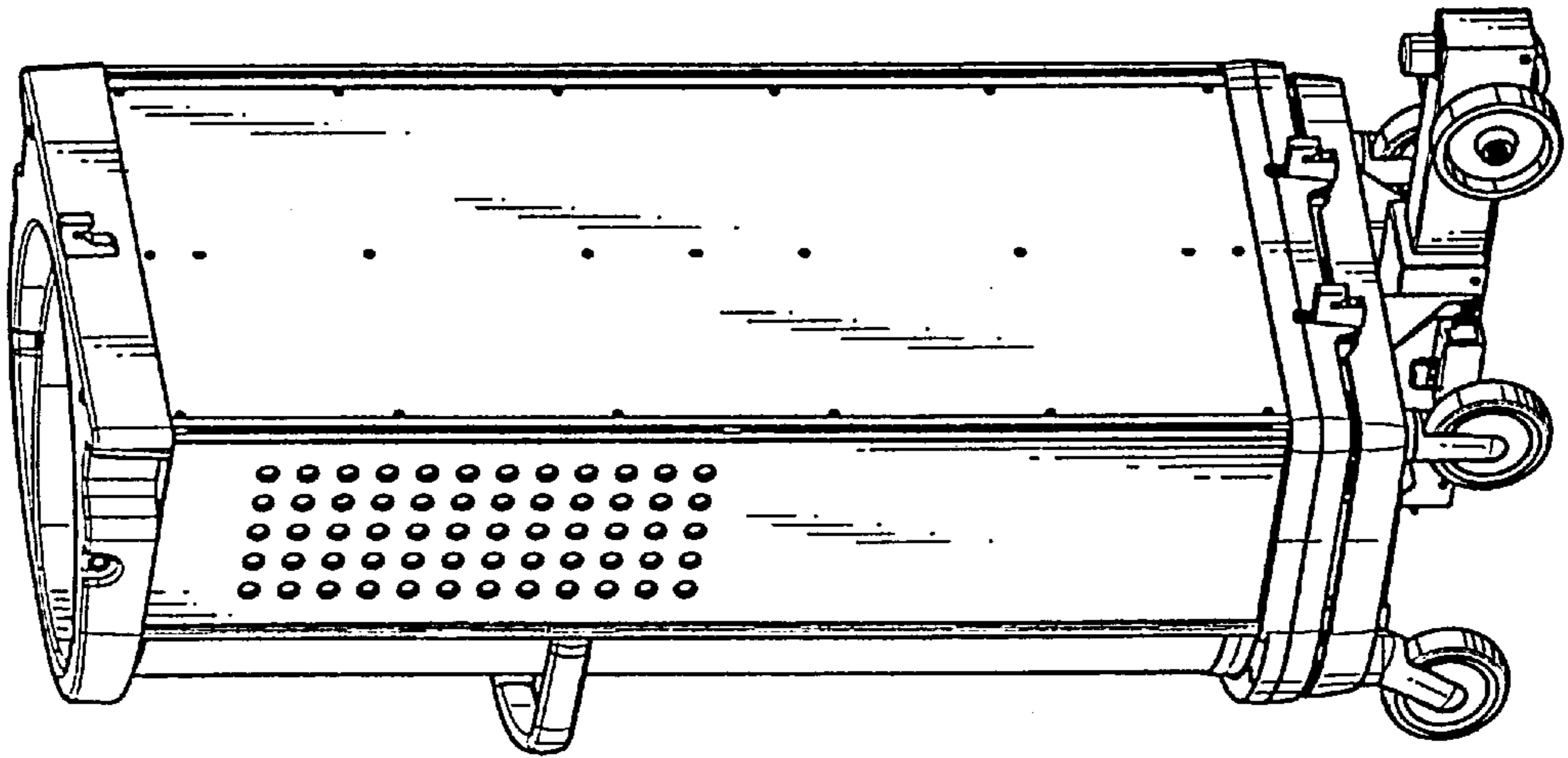


FIG.8

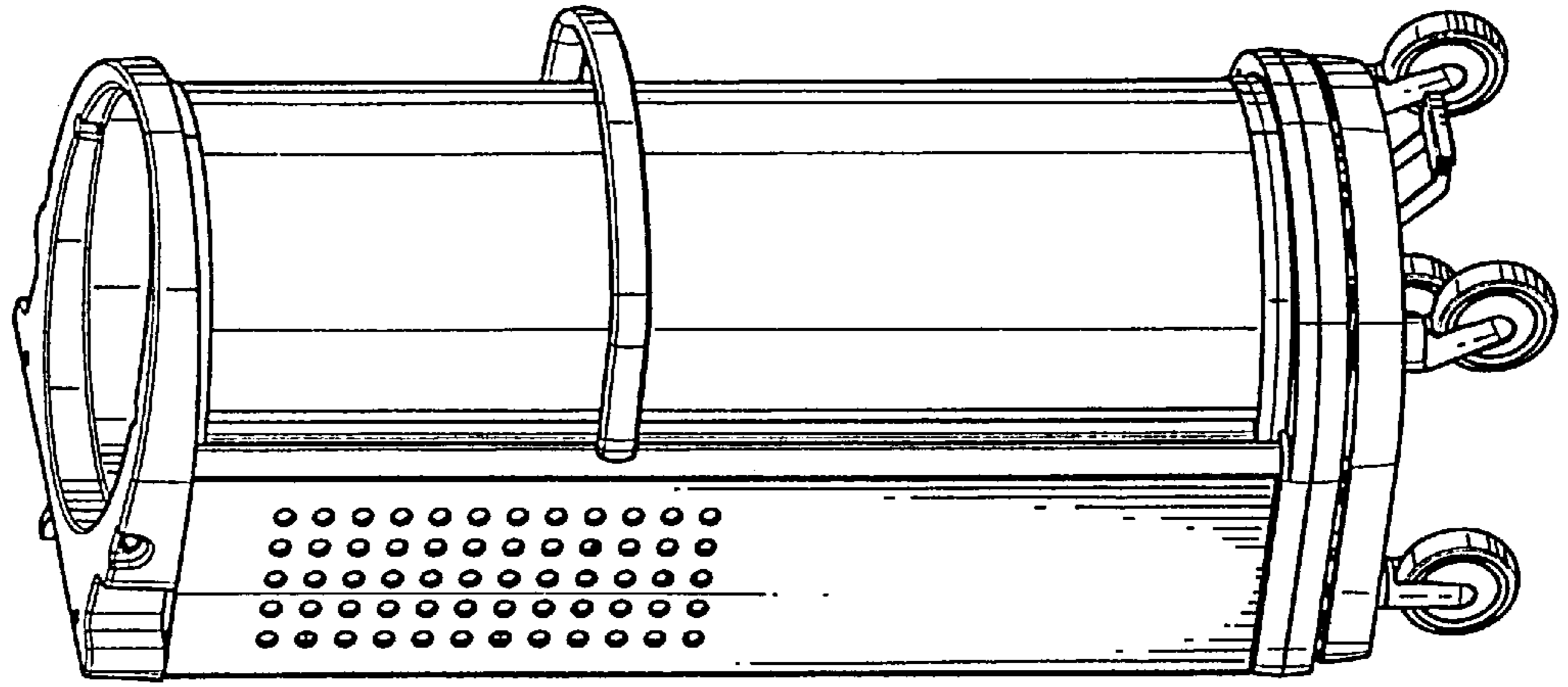


FIG.9

