



US00D424771S

United States Patent [19]

Sivells et al.

[11] **Patent Number: Des. 424,771**

[45] **Date of Patent: ** May 9, 2000**

[54] **SPRAYER DOLLY**

D. 396,924 8/1998 Cardenas D34/24

[75] Inventors: **Michael D. Sivells; Barbara A. Sivells,**
both of Fairdale, Ky.

Primary Examiner—Kay H. Chin
Attorney, Agent, or Firm—Carrithers Law Office; David W. Carrithers

[73] Assignee: **Empire Systems, Inc.**

[**] Term: **14 Years**

[57] **CLAIM**

[21] Appl. No.: **29/099,217**

The ornamental design for a sprayer dolly, as shown and described.

[22] Filed: **Jan. 15, 1999**

DESCRIPTION

[51] **LOC (7) Cl.** **12-02**

[52] **U.S. Cl.** **D34/14; D34/23; D34/18**

[58] **Field of Search** D34/12-27; D15/150;
280/47.18, 47.19, 47.24, 47.27, 47.28, 47.34,
652, 654, 655

FIG. 1 is a left side view of a sprayer dolly our new design;
FIG. 2 is a rear end view thereof;
FIG. 3 is a front end view thereof;
FIG. 4 is a right side view thereof;
FIG. 5 is a top plan view thereof; and,
FIG. 6 is a bottom plan view thereof.

[56] **References Cited**

U.S. PATENT DOCUMENTS

D. 187,550 3/1960 Hoover D15/150

1 Claim, 5 Drawing Sheets

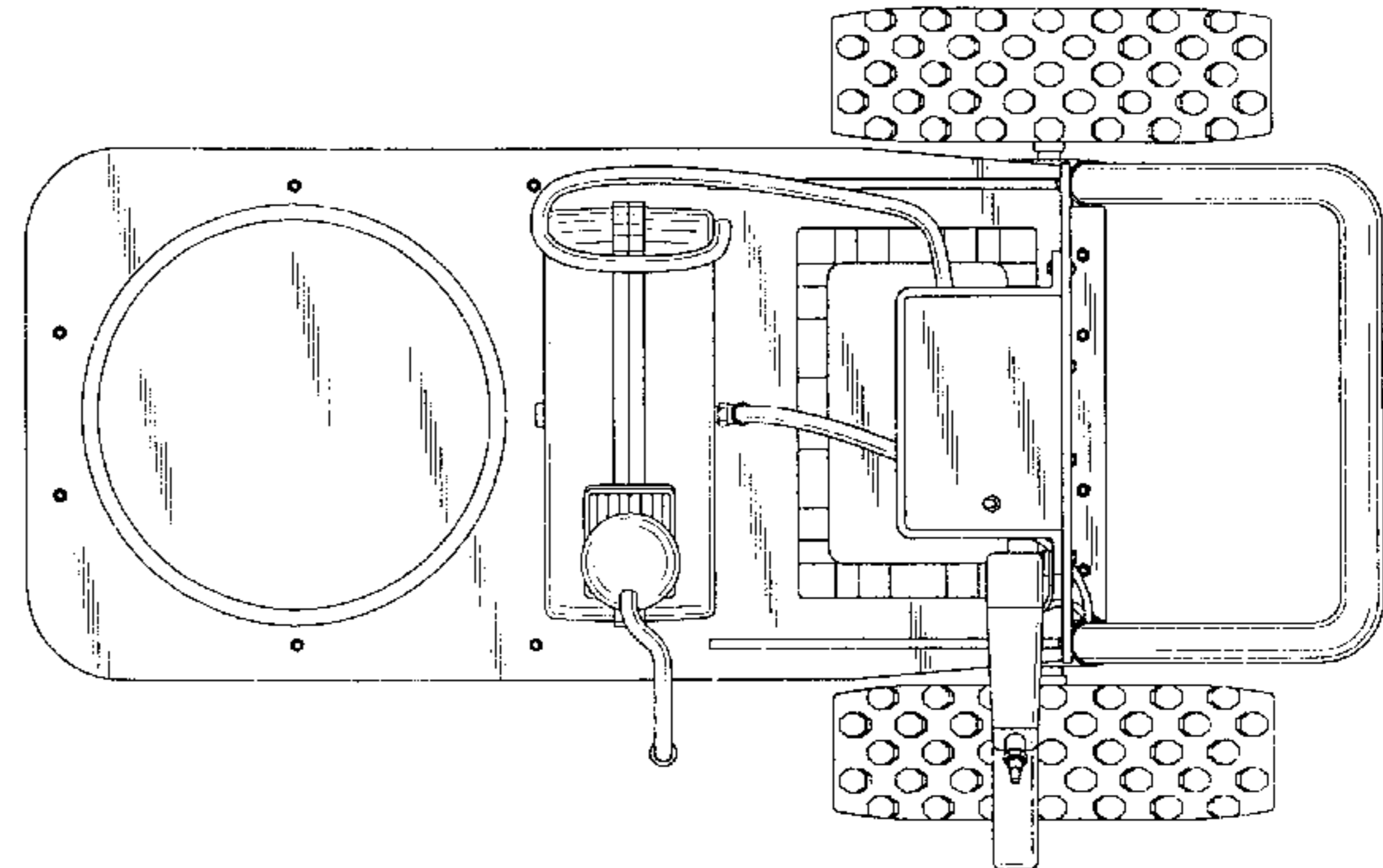
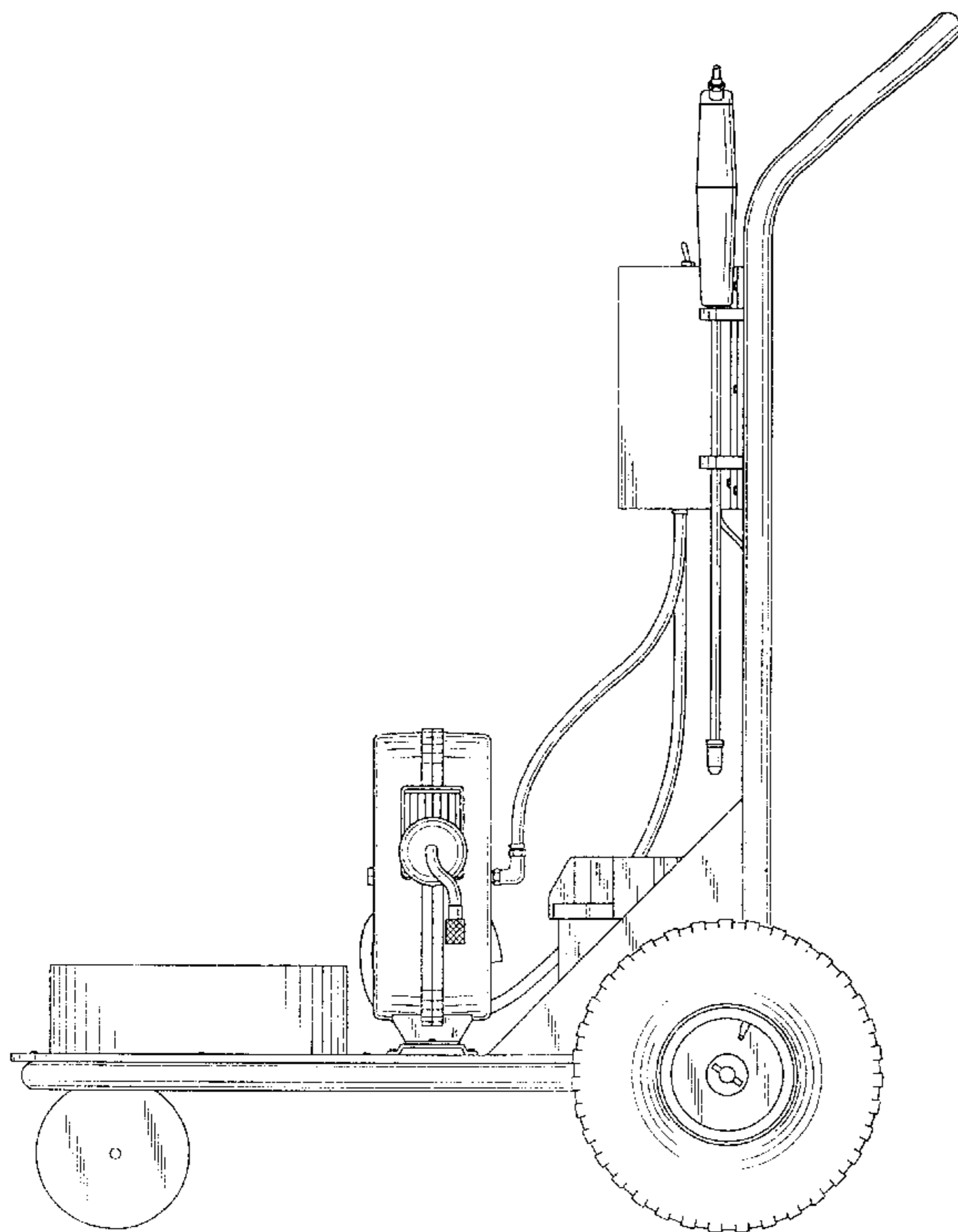


FIG. 1

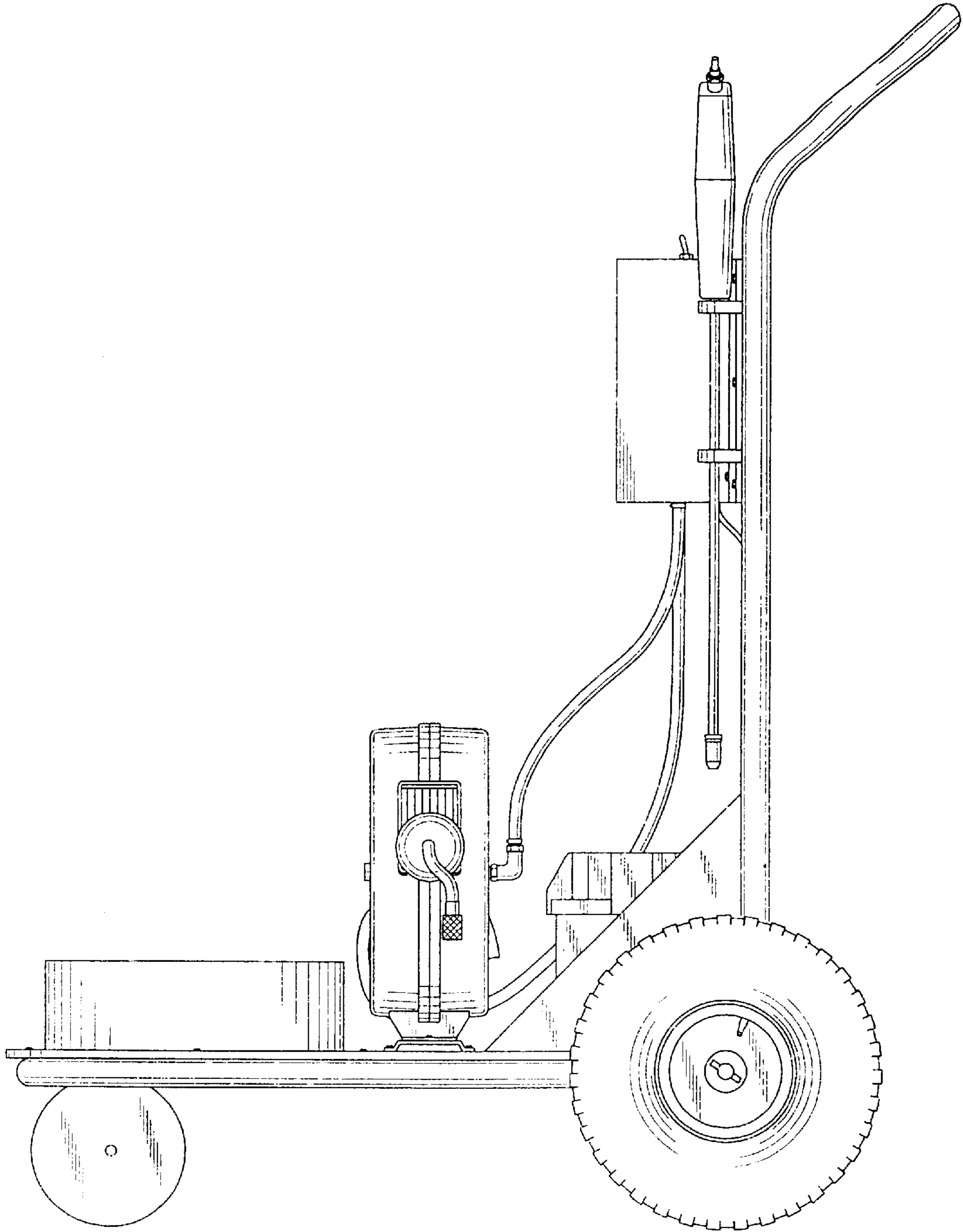


FIG. 2

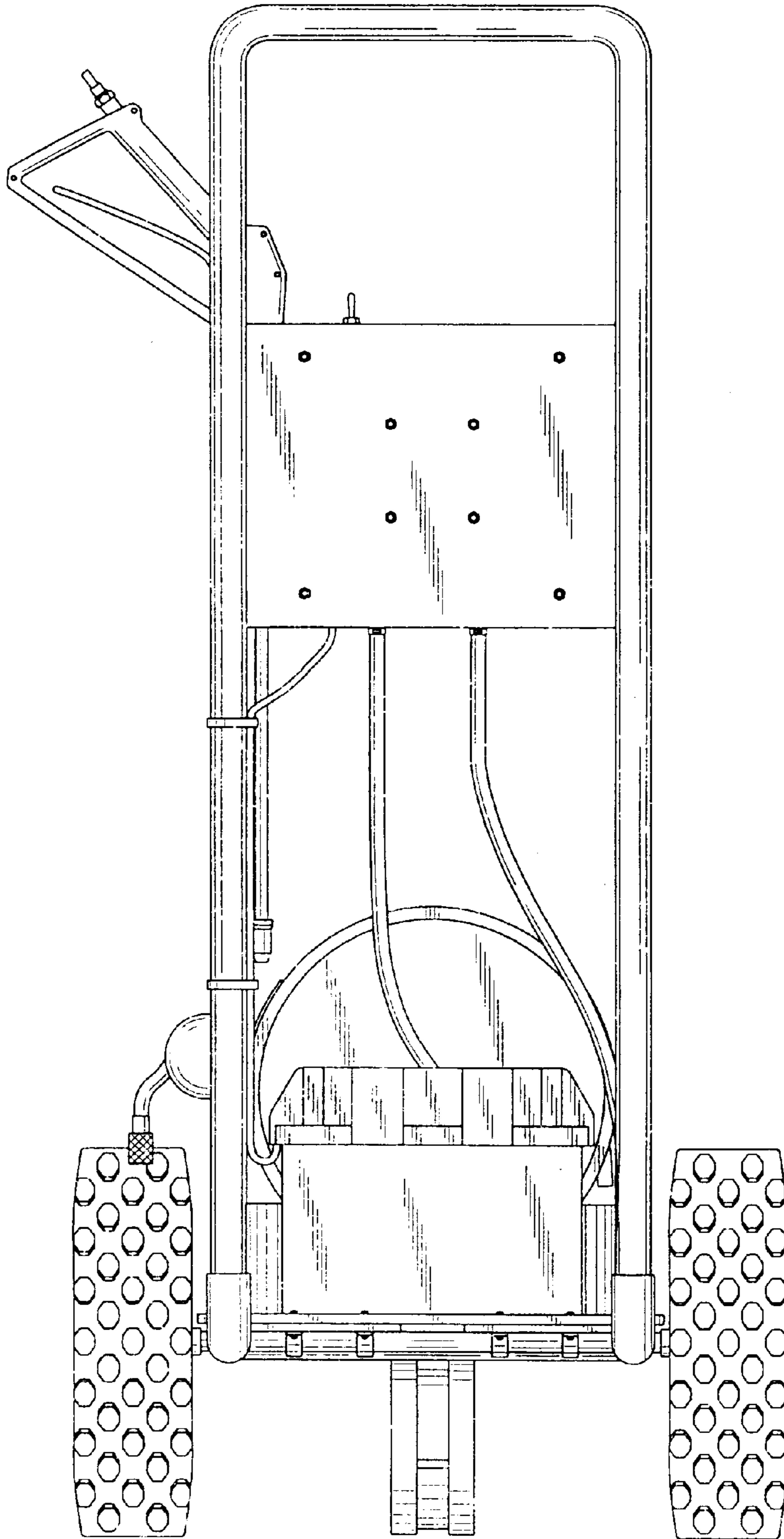


FIG. 3

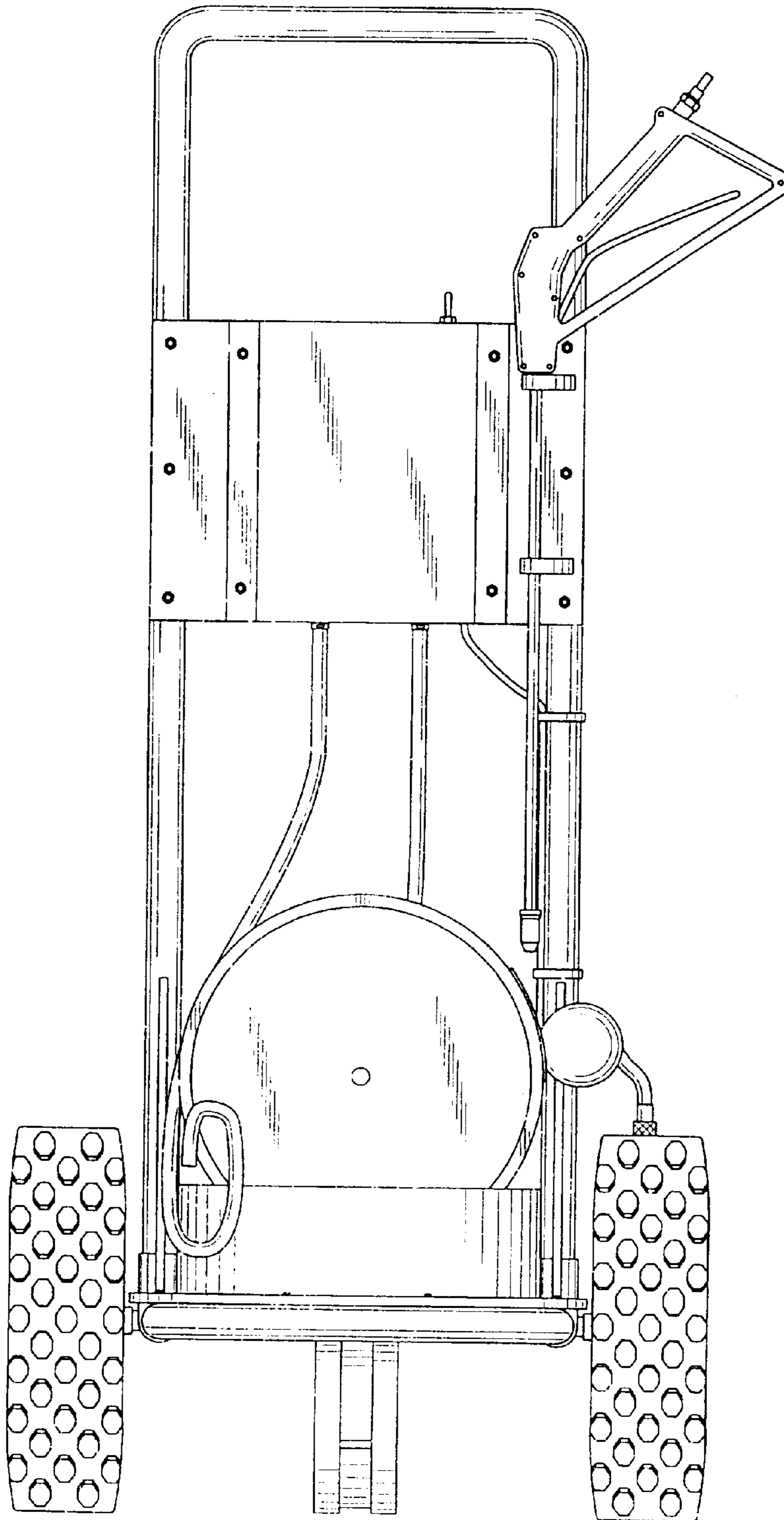


FIG. 4

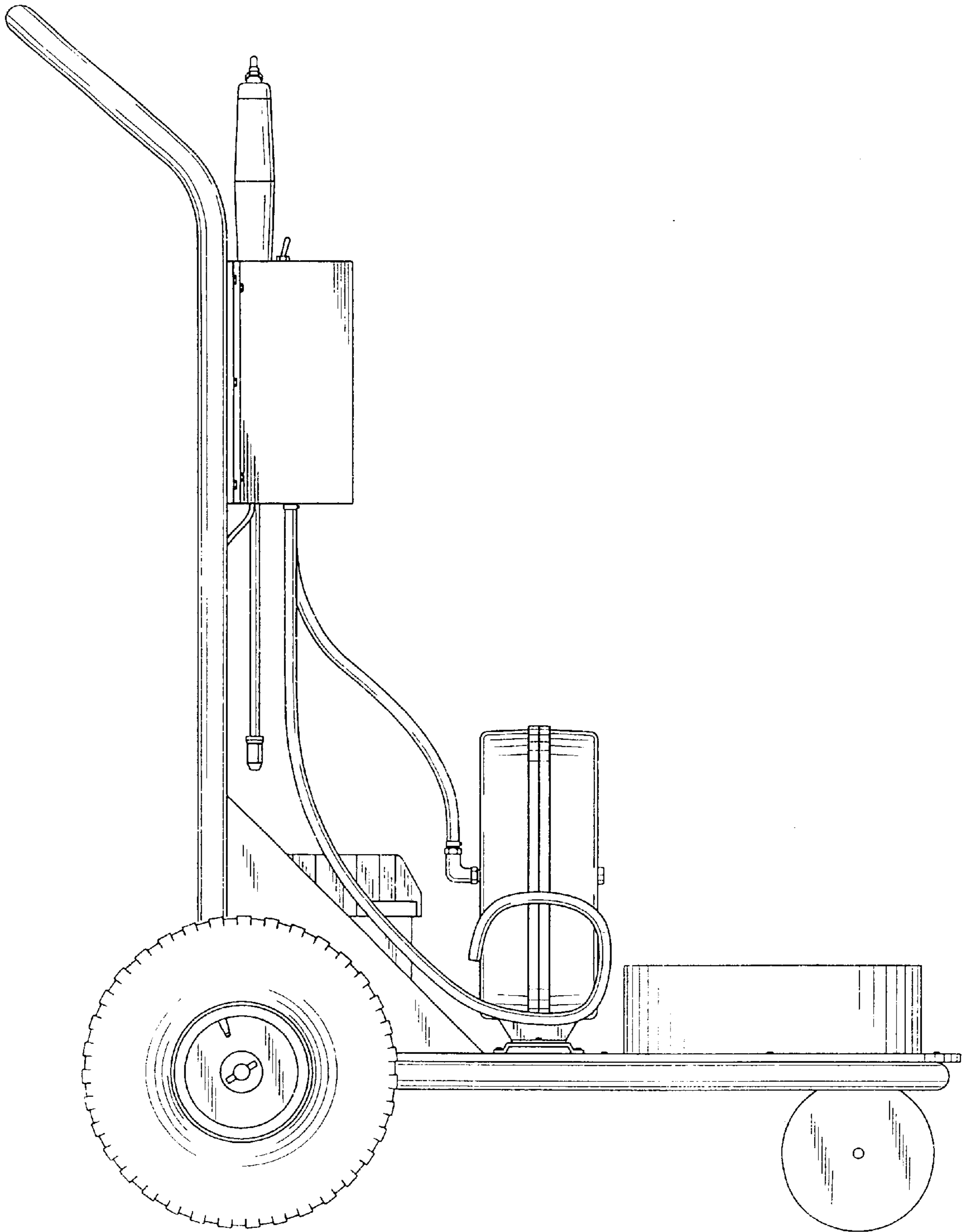


FIG. 5

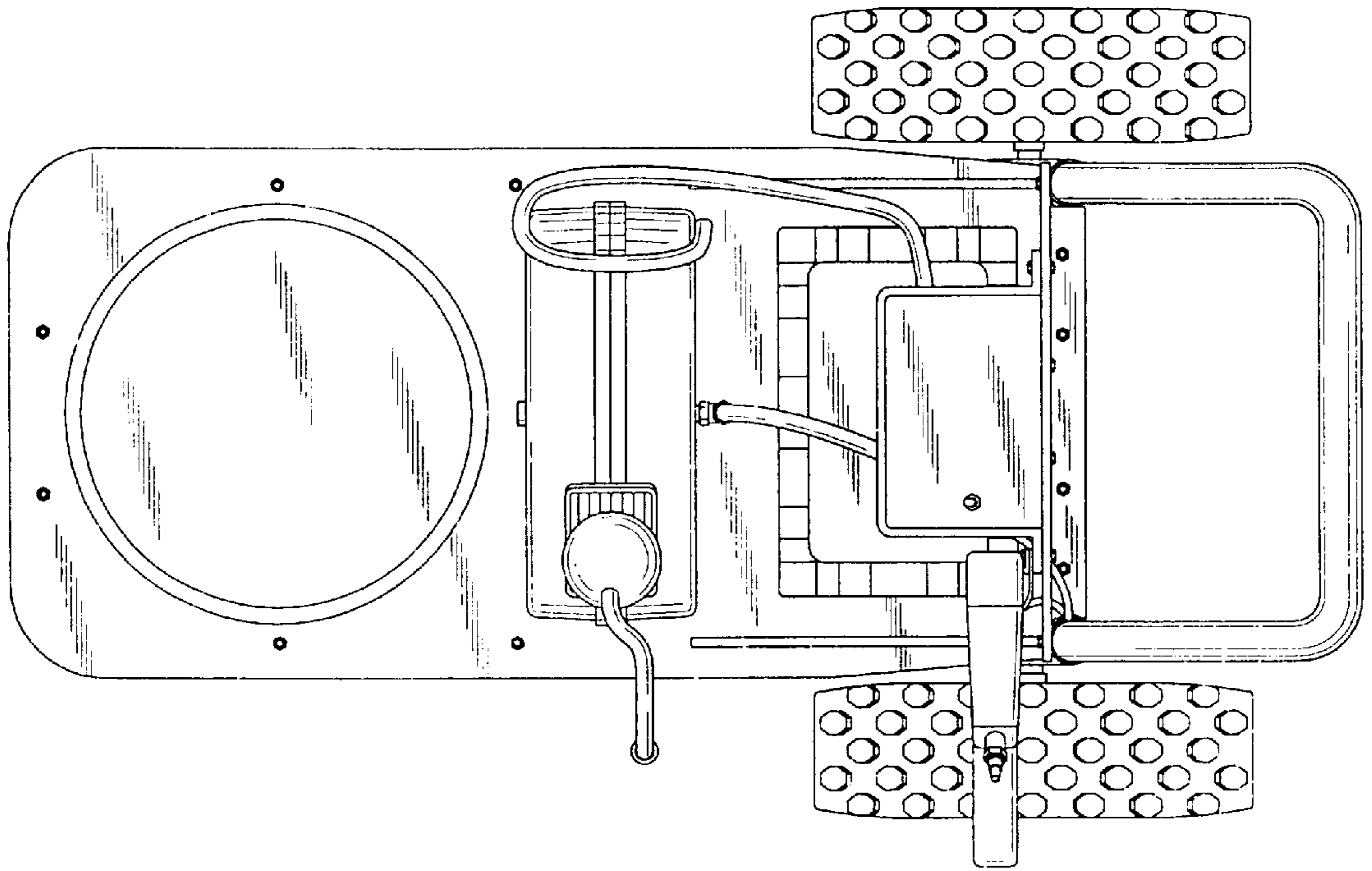


FIG. 6

