



US00D424768S

# United States Patent [19] Tsou

[11] **Patent Number: Des. 424,768**

[45] **Date of Patent: \*\* May 9, 2000**

[54] **CONTAINER**

[76] **Inventor: Yeong-Haw Tsou, P.O. Box 2206, Arcadia, Calif. 91077**

[\*\*] **Term: 14 Years**

[21] **Appl. No.: 29/100,179**

[22] **Filed: Feb. 4, 1999**

[51] **LOC (7) Cl. .... 07-07**

[52] **U.S. Cl. .... D32/53; D9/428**

[58] **Field of Search .... D32/53, 53.1, D32/54; 206/515; 220/4.26, 4.27, 23.6; D9/428, 430**

[56] **References Cited**

**U.S. PATENT DOCUMENTS**

- D. 278,561 4/1985 Anderson ..... D32/53
- D. 292,836 11/1987 Juergens ..... D32/53
- D. 345,832 4/1994 Frazee et al. .... 15/264

- D. 403,821 1/1999 Kerridge ..... D32/53.1
- 4,057,931 11/1977 Stuelberg ..... 220/23.6
- 4,919,268 4/1990 Young et al. .... 220/23.6
- 5,242,071 9/1993 Goebel ..... 220/4.23

*Primary Examiner*—Robin V. Taylor

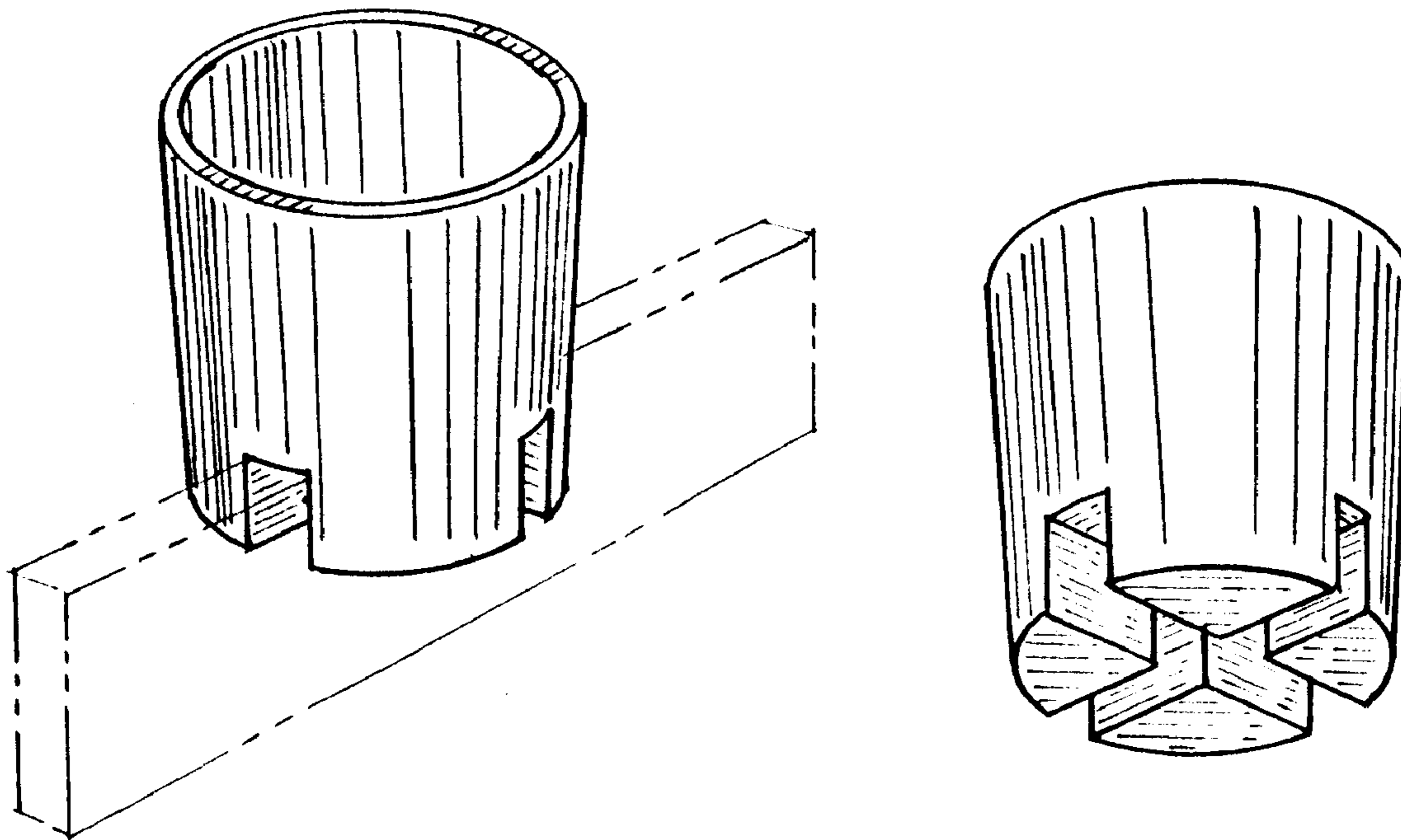
[57] **CLAIM**

The ornamental design for a container, as shown and described.

**DESCRIPTION**

FIG. 1 is a top view.  
 FIG. 2 is a bottom view.  
 FIG. 3 is a side, elevational view.  
 FIG. 4 is a side, elevational view.  
 FIG. 5 is a front perspective view of the container sitting on a vertical board which is shown in broken lines and forming no part of the claimed design; and,  
 FIG. 6 is a bottom perspective view.

**1 Claim, 1 Drawing Sheet**



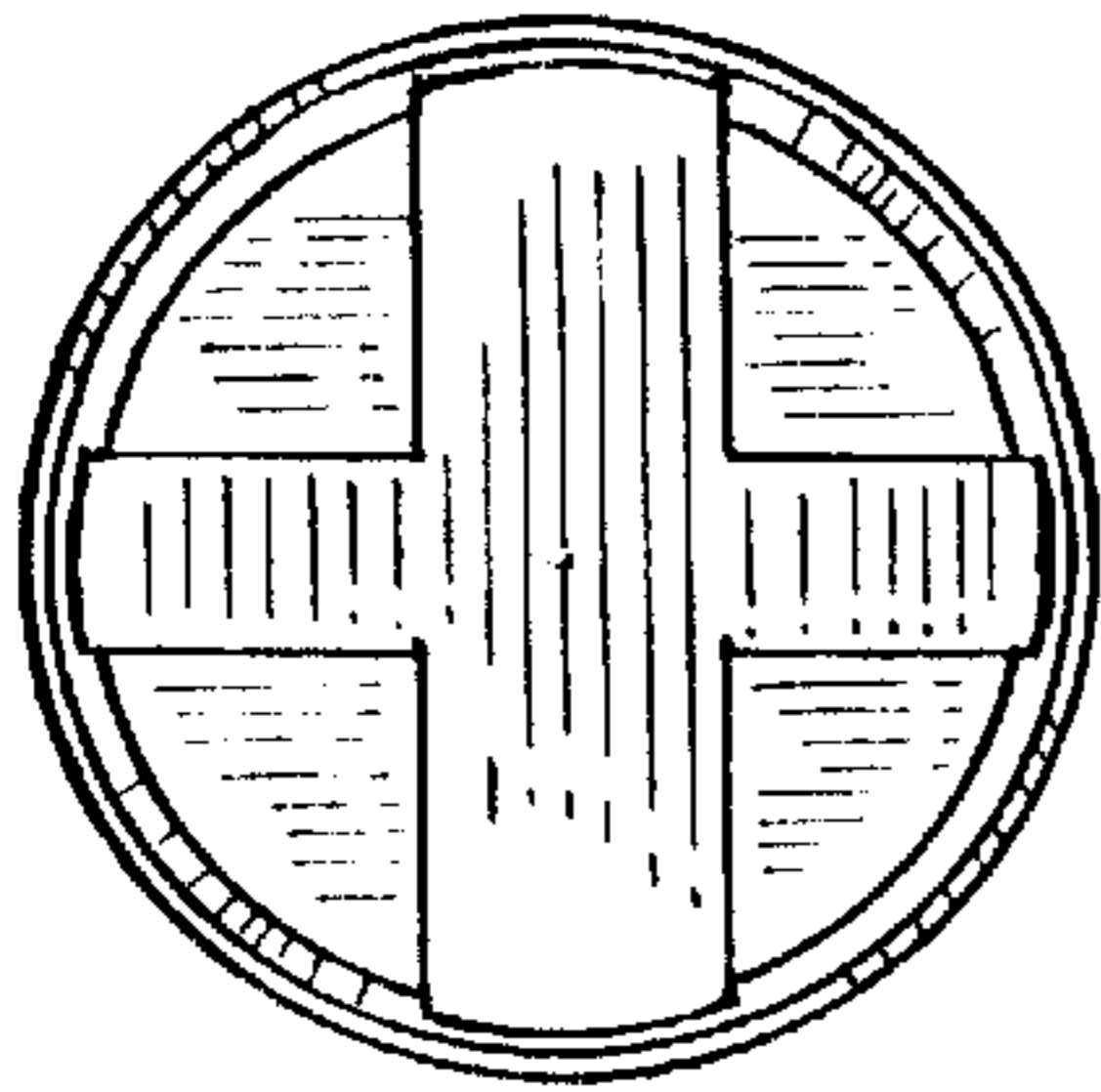


FIG. 1

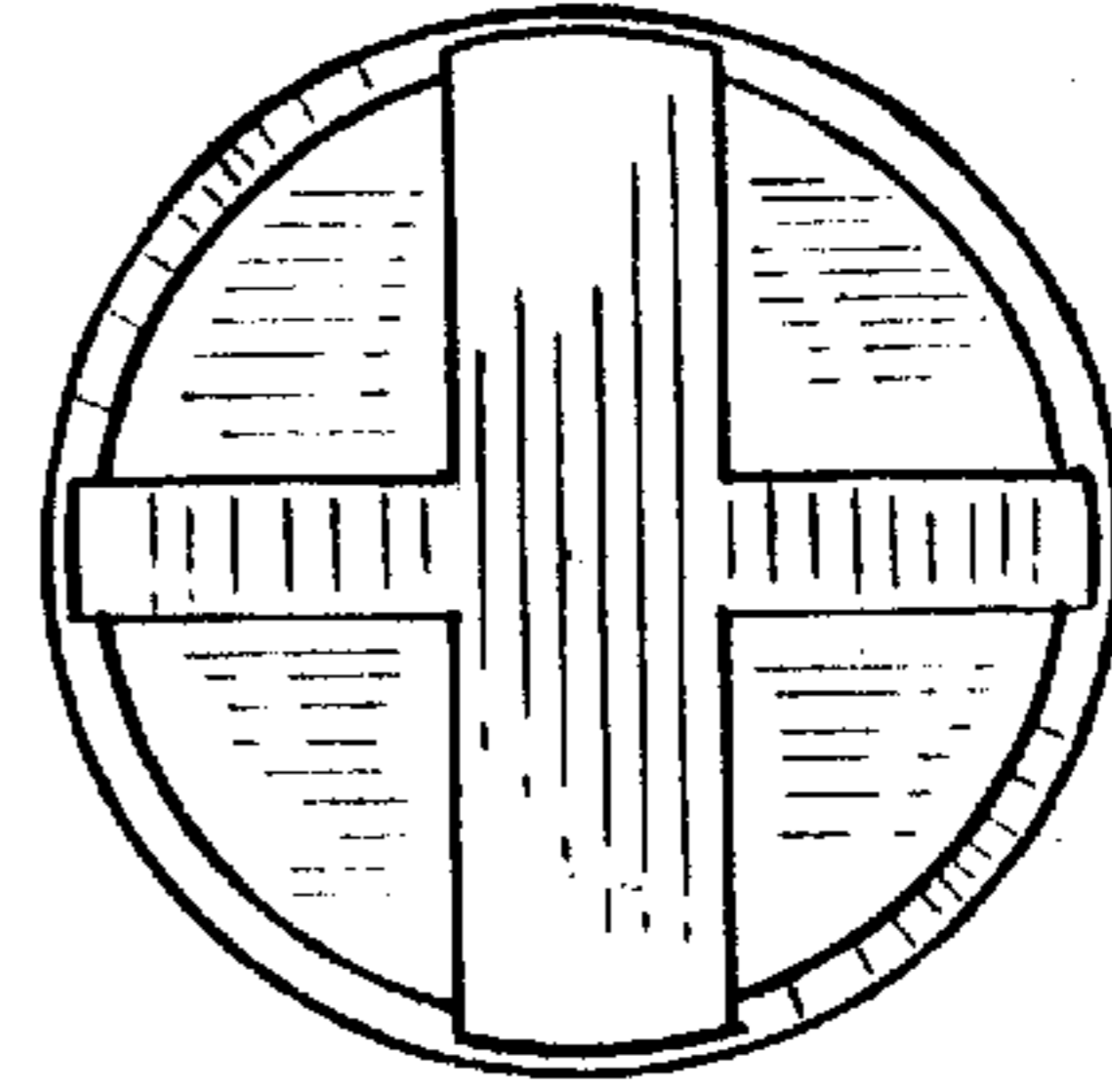


FIG. 2

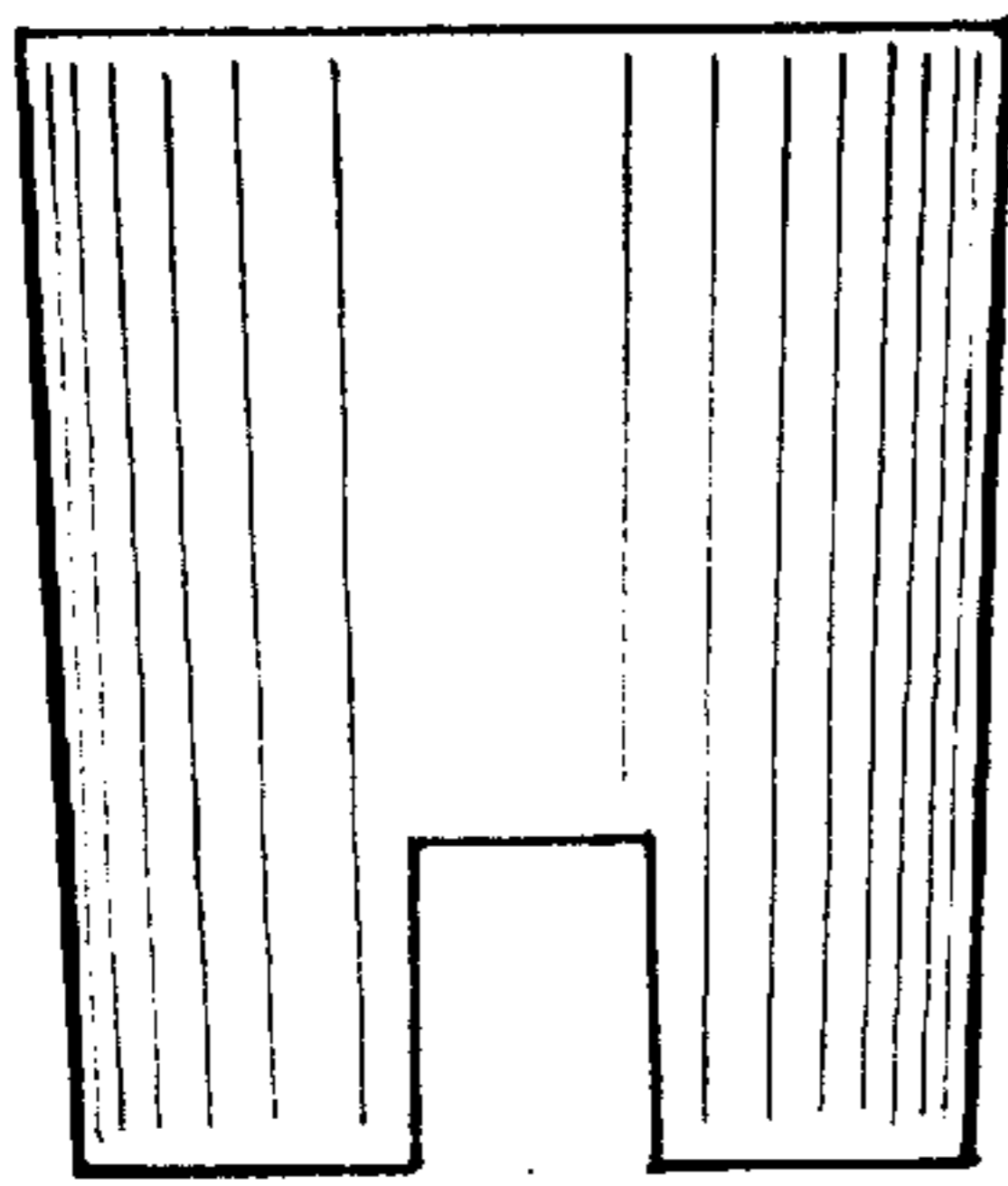


FIG. 3

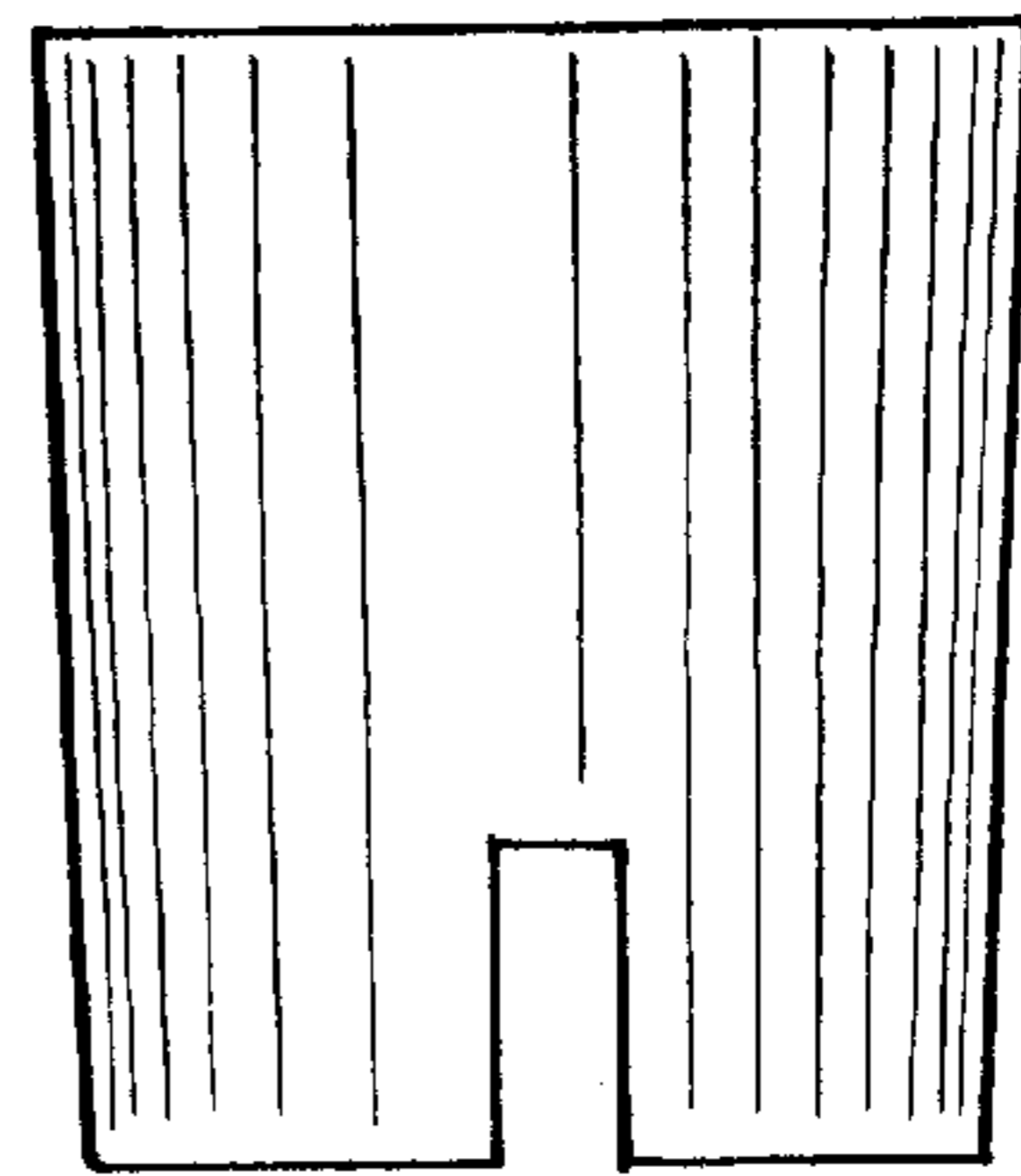


FIG. 4

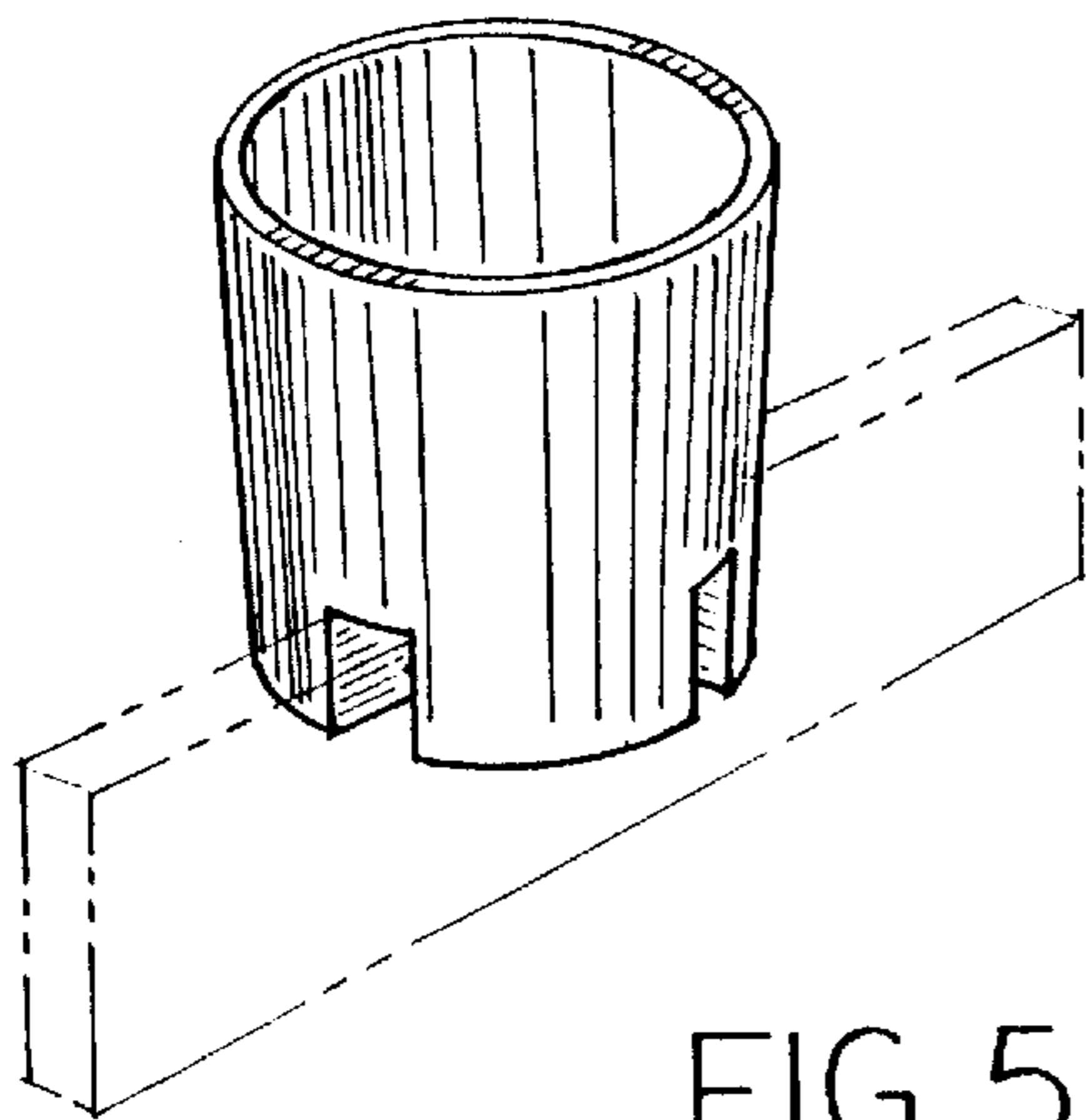


FIG. 5

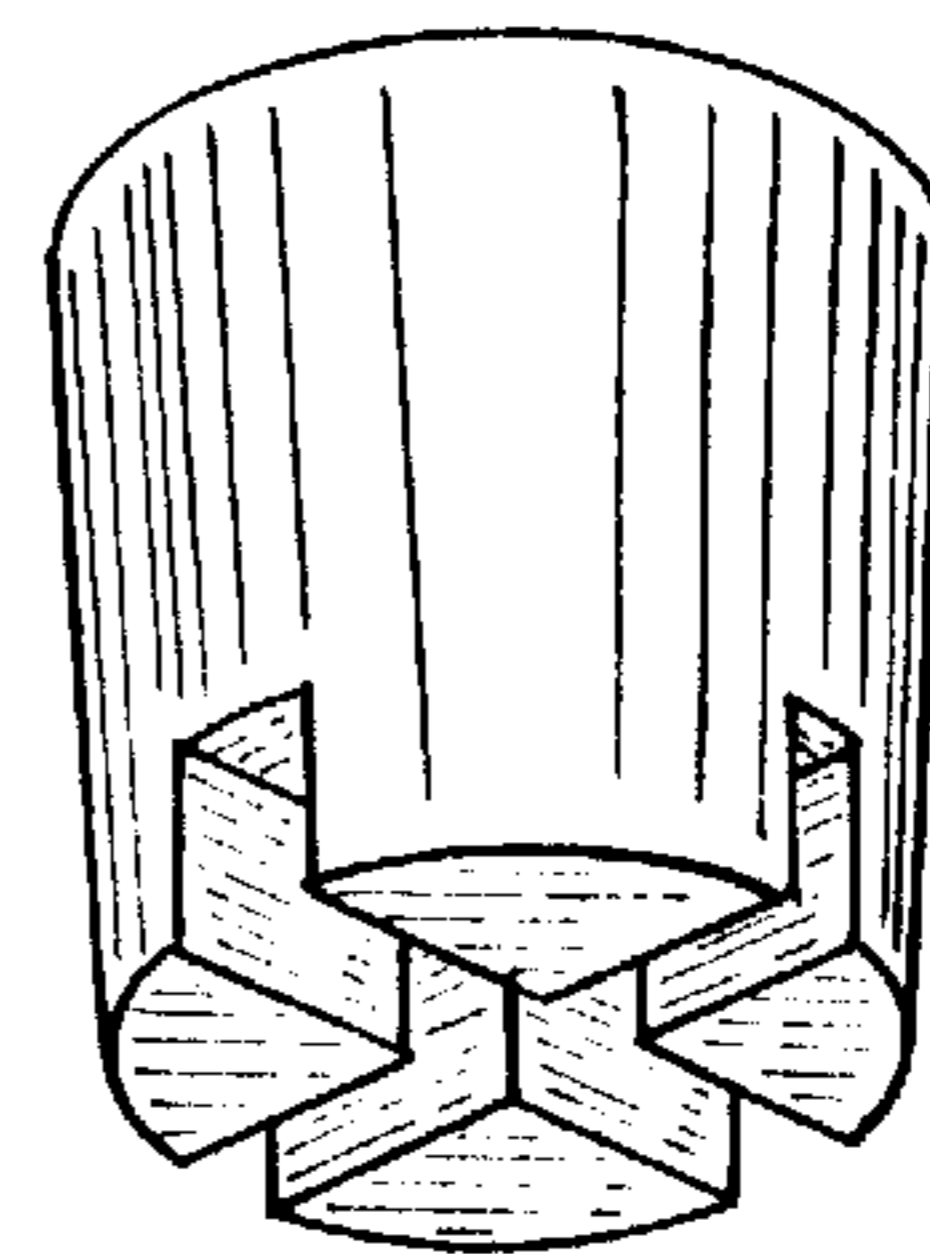


FIG. 6