



US00D424766S

United States Patent [19]

Martin

[11] Patent Number: Des. 424,766

[45] Date of Patent: ** May 9, 2000

[54] MULTI-USE VACUUM NOZZLE

[75] Inventor: Michael F. Martin, St. Charles, Mo.

[73] Assignee: Emerson Electric Co., St. Louis, Mo.

[**] Term: 14 Years

[21] Appl. No.: 29/082,592

[22] Filed: Jan. 26, 1998

[51] LOC (7) Cl. 15-05

[52] U.S. Cl. D32/32

[58] Field of Search D32/21, 22, 31-34;
15/322, 354, 355, 358, 362, 366, 378, 400,
412, 414, 415.1-422, 422.1, 339

[56] References Cited

U.S. PATENT DOCUMENTS

D. 148,314	1/1948	Lippincott	D32/32
D. 149,285	4/1948	Lippincott	D32/32
D. 295,092	4/1988	Mizuno et al.	D32/32
D. 311,615	10/1990	Berfield et al.	D32/32
D. 381,144	7/1997	Moine et al.	D32/32
D. 392,780	3/1998	Holsten et al.	D32/33

Primary Examiner—Ruth McInroy

[57] CLAIM

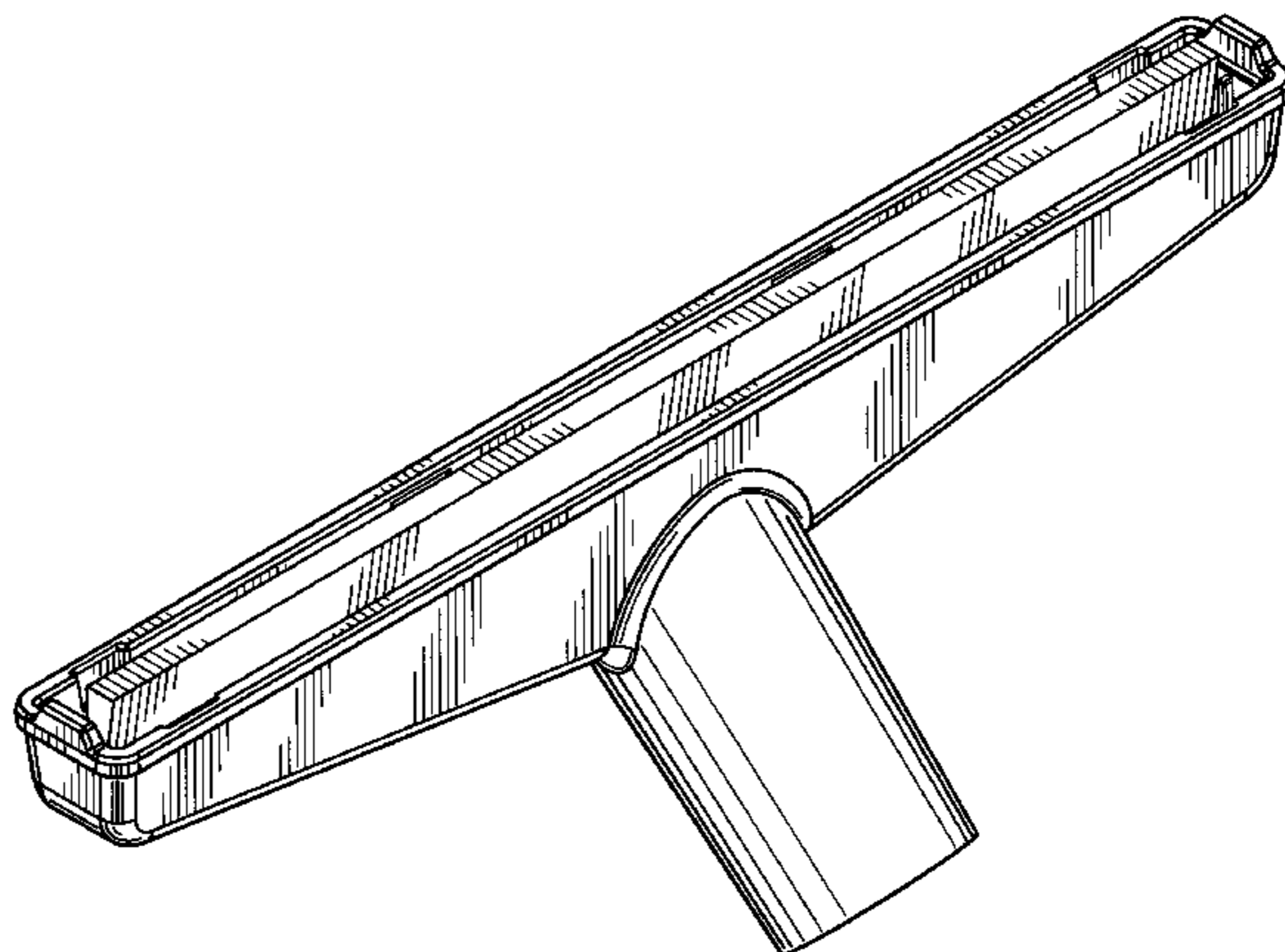
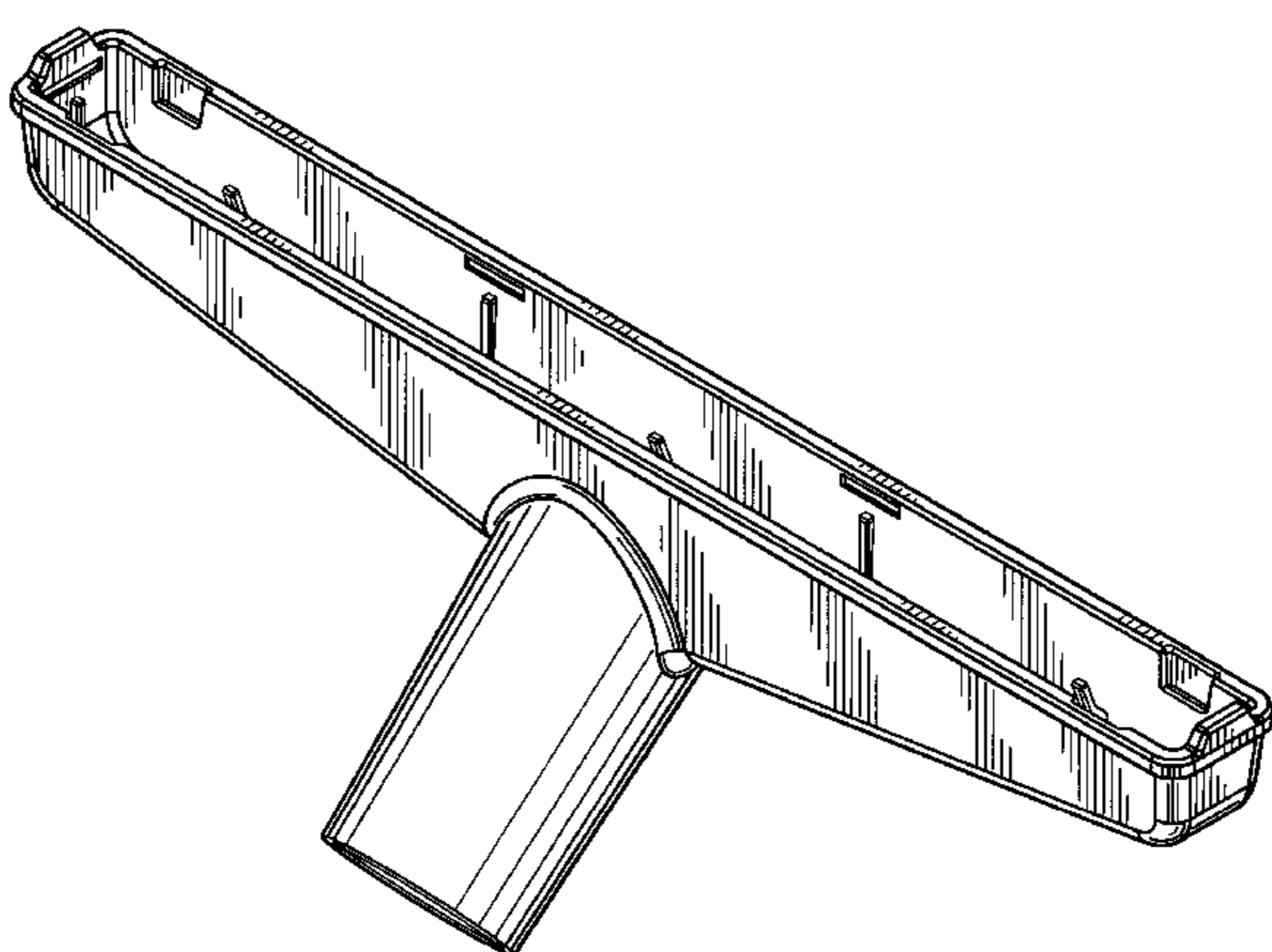
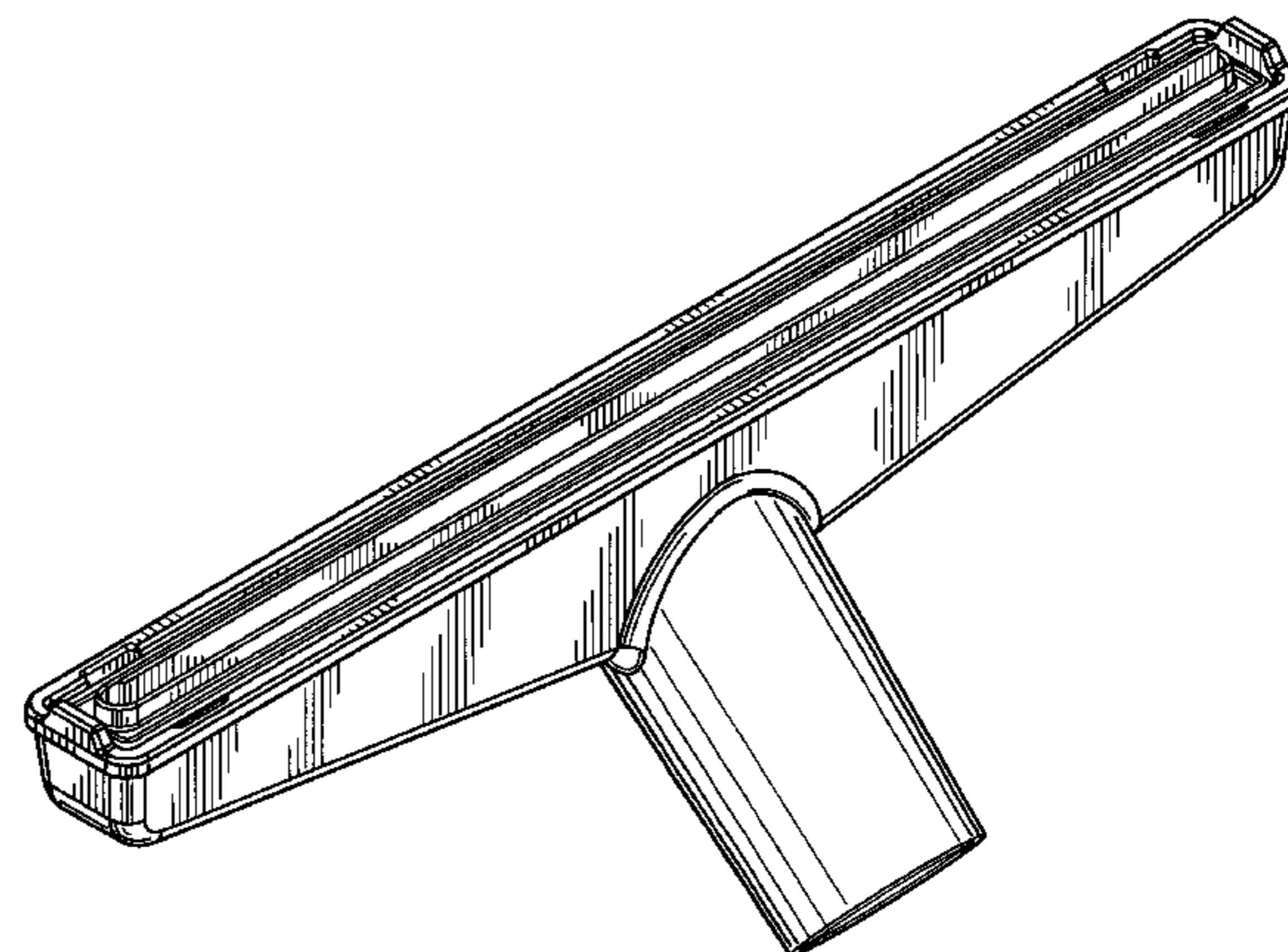
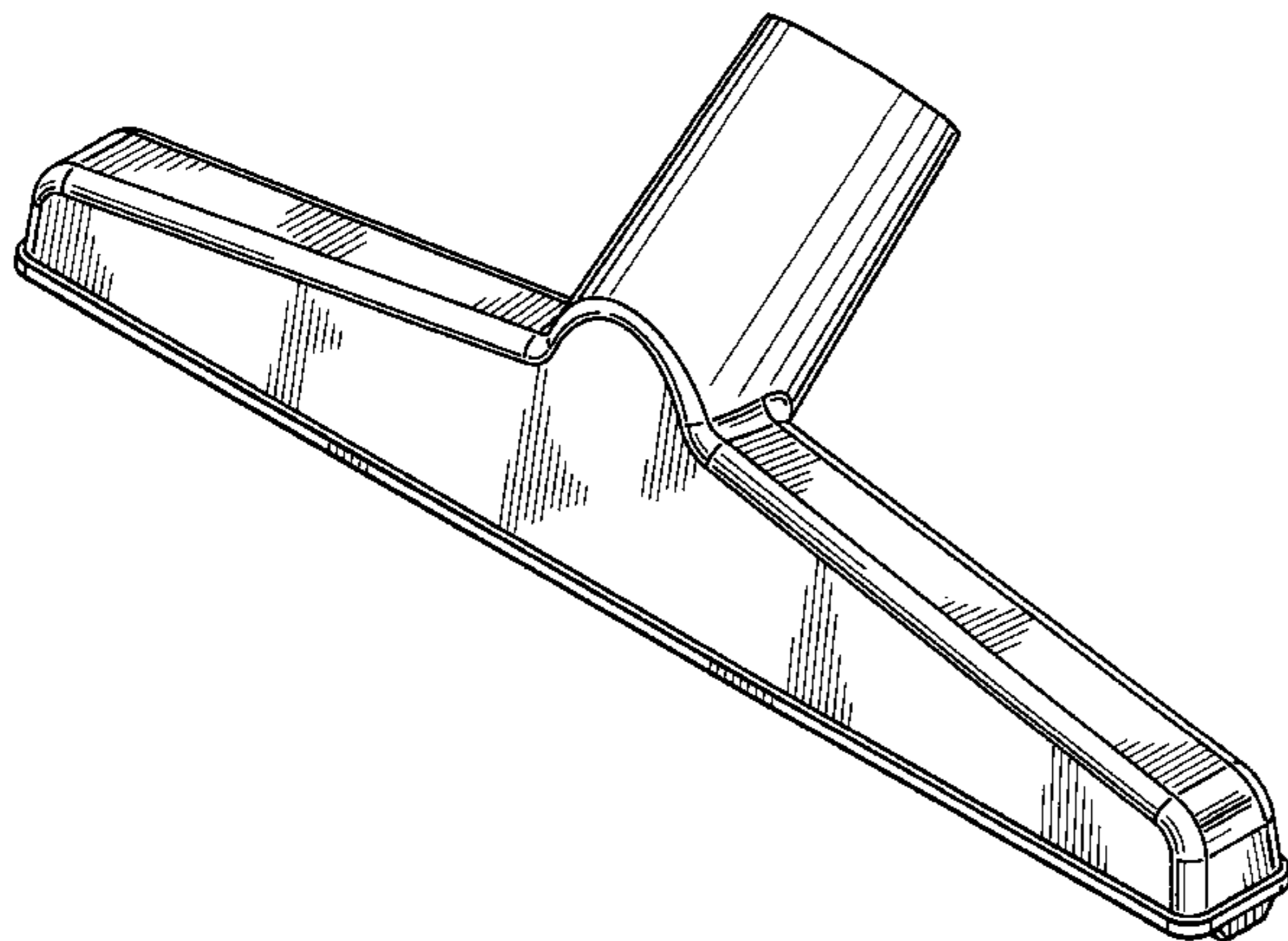
The ornamental design for a multi-use vacuum nozzle, as shown and described.

DESCRIPTION

FIG. 1 is a top and front perspective view of a multi-use vacuum nozzle showing my new design;
 FIG. 2 is a top and rear perspective view thereof;
 FIG. 3 is a bottom and rear perspective view thereof;
 FIG. 4 is a side elevation view of a second embodiment with a brush component inserted;
 FIG. 5 is a rear elevation view of FIG. 4;
 FIG. 6 is a top plan view of all three embodiments;
 FIG. 7 is a bottom plan view of the first embodiment;
 FIG. 8 is a bottom and rear perspective view of a third embodiment with a squeegee component inserted; and,
 FIG. 9 is a bottom and rear perspective view of the second embodiment thereof.

Portions of the third embodiment not shown in the figures or otherwise disclosed in the specification do not form a part of the claimed design.

1 Claim, 6 Drawing Sheets



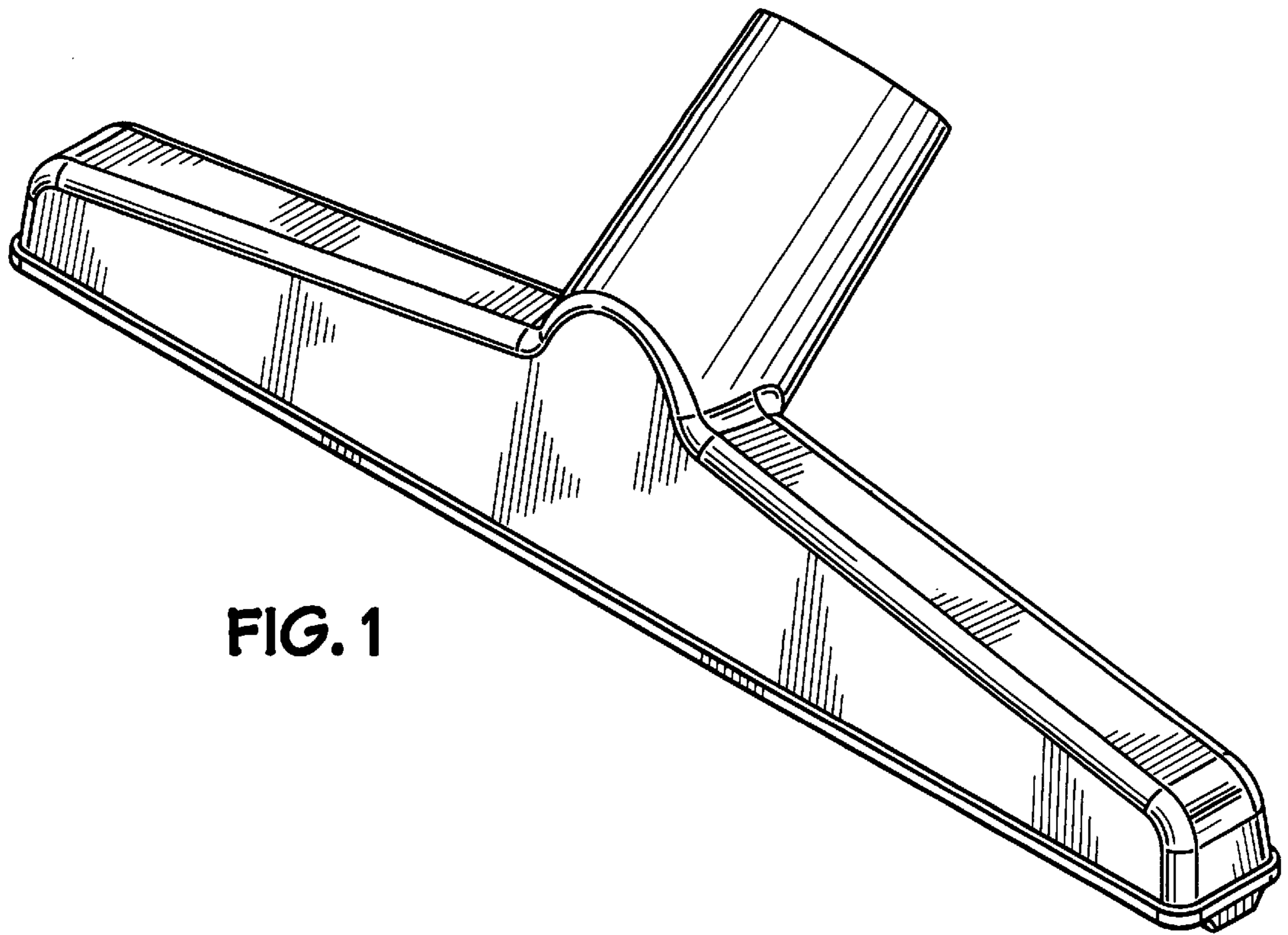


FIG. 1

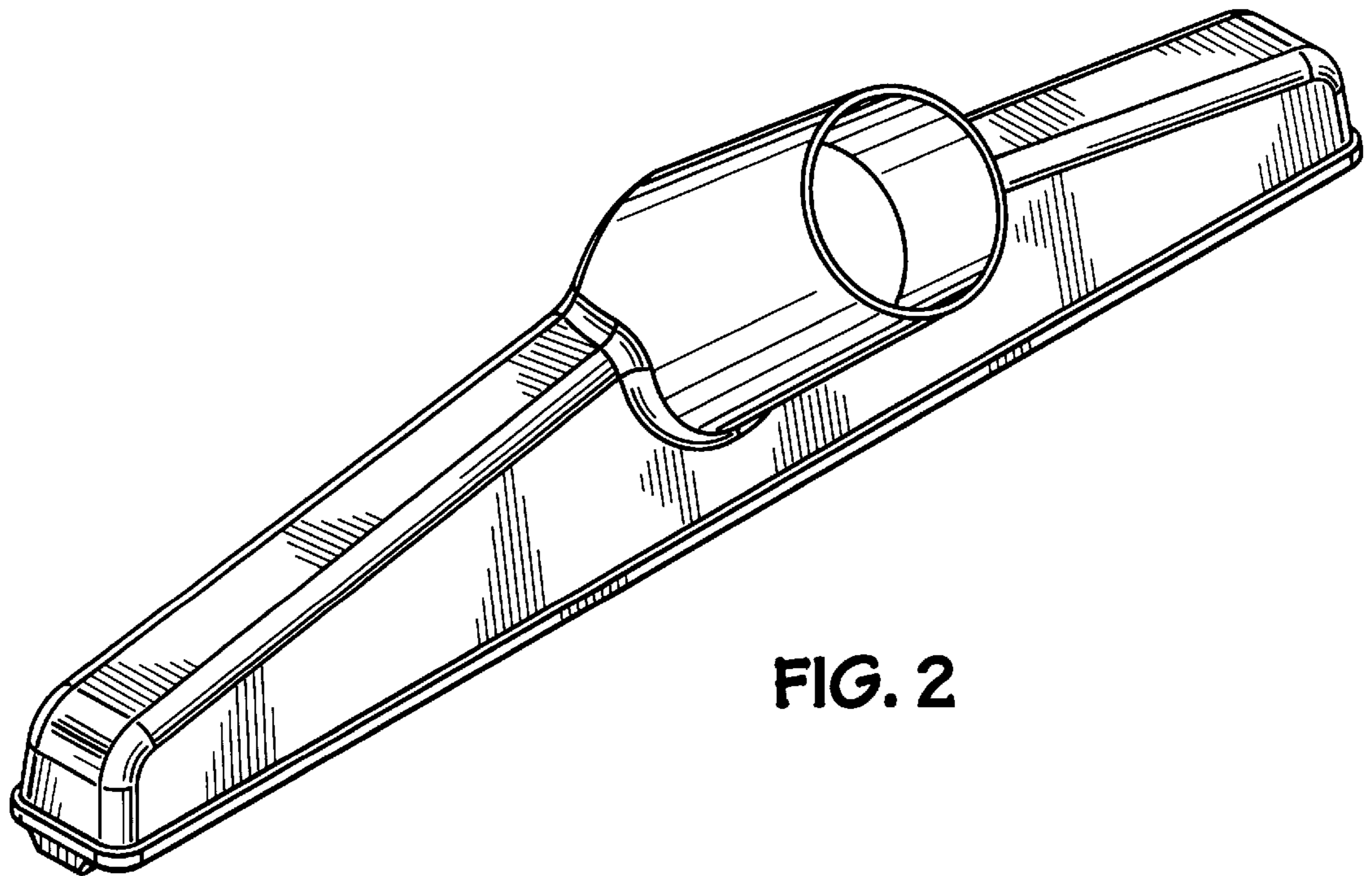


FIG. 2

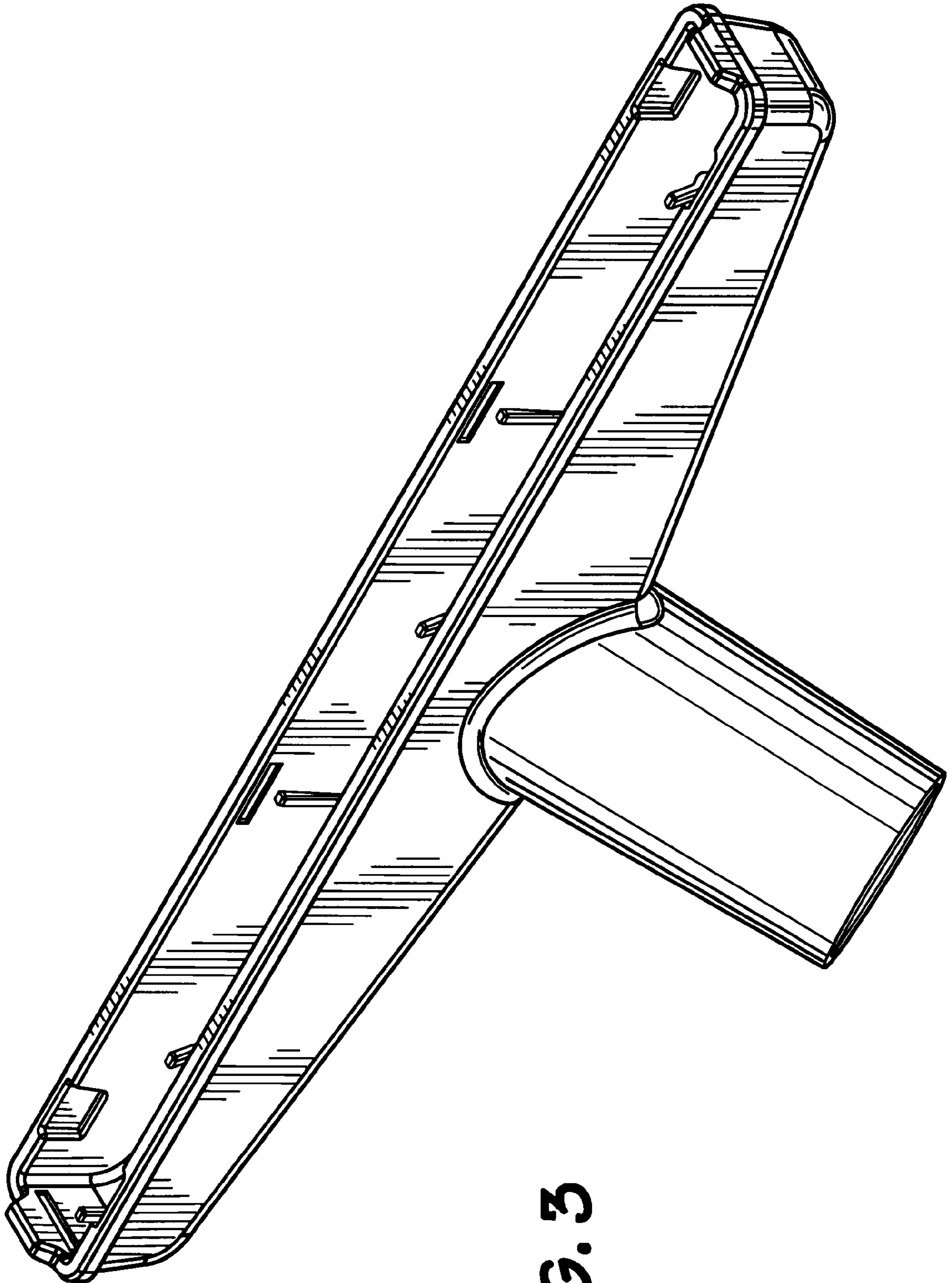


FIG. 3

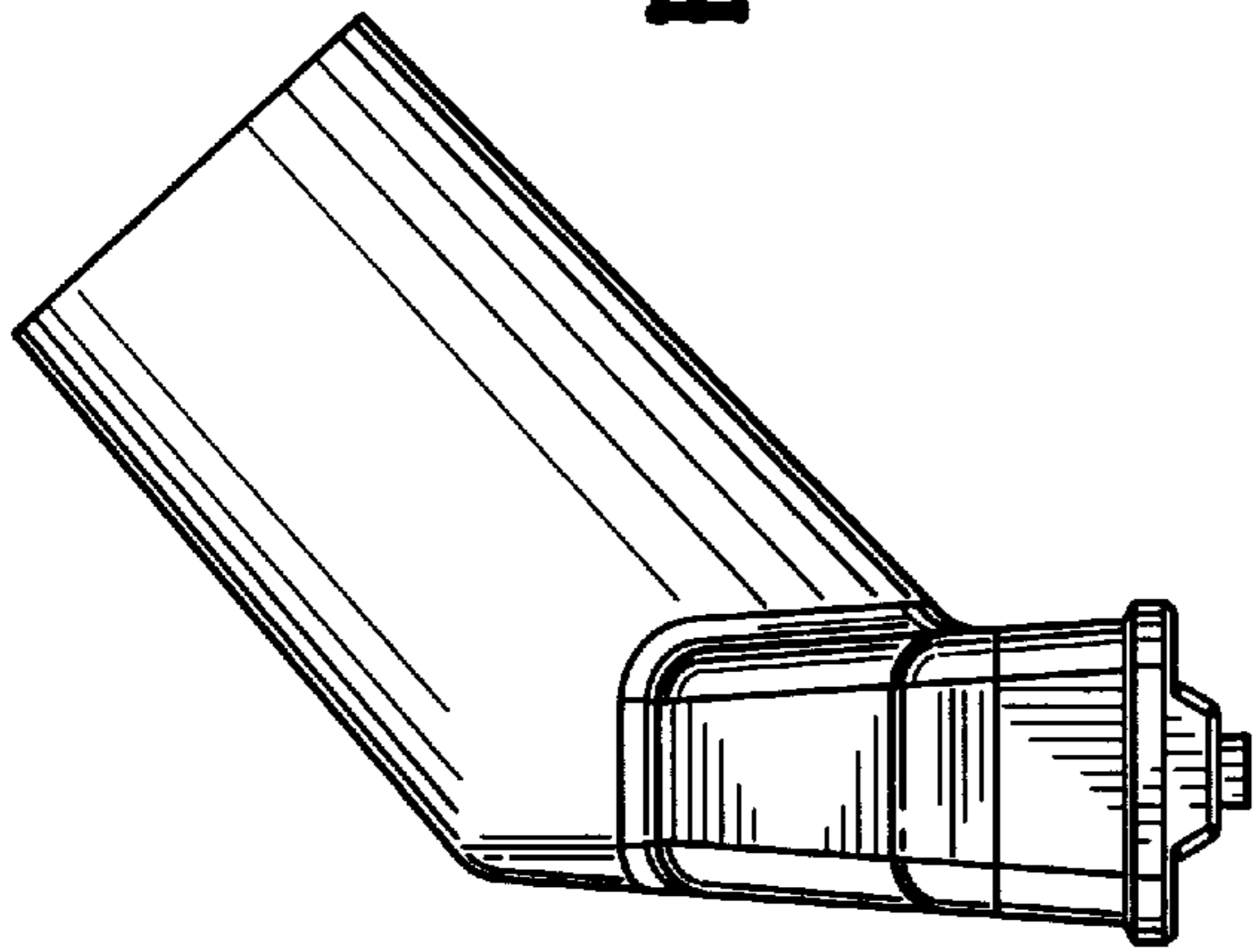


FIG. 4

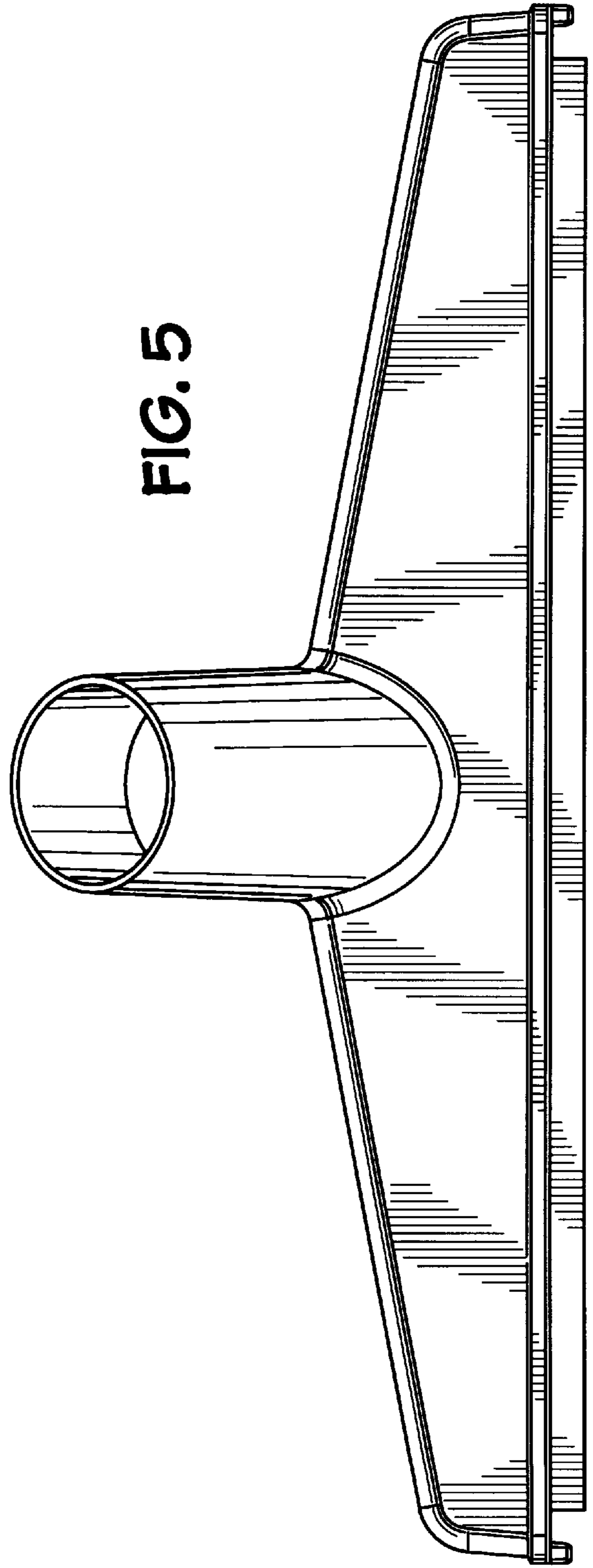
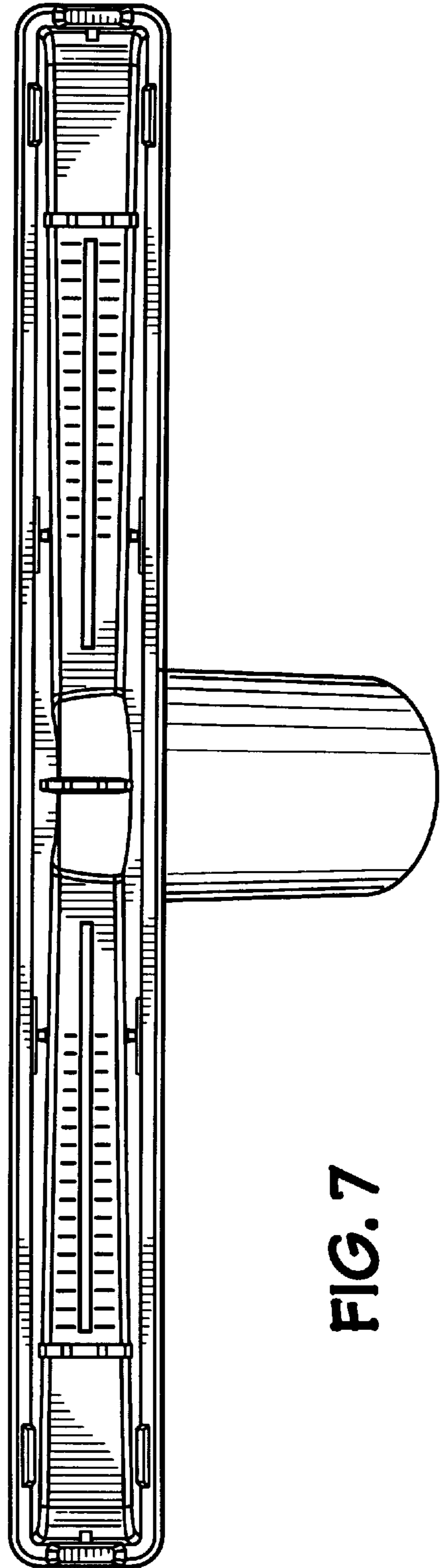
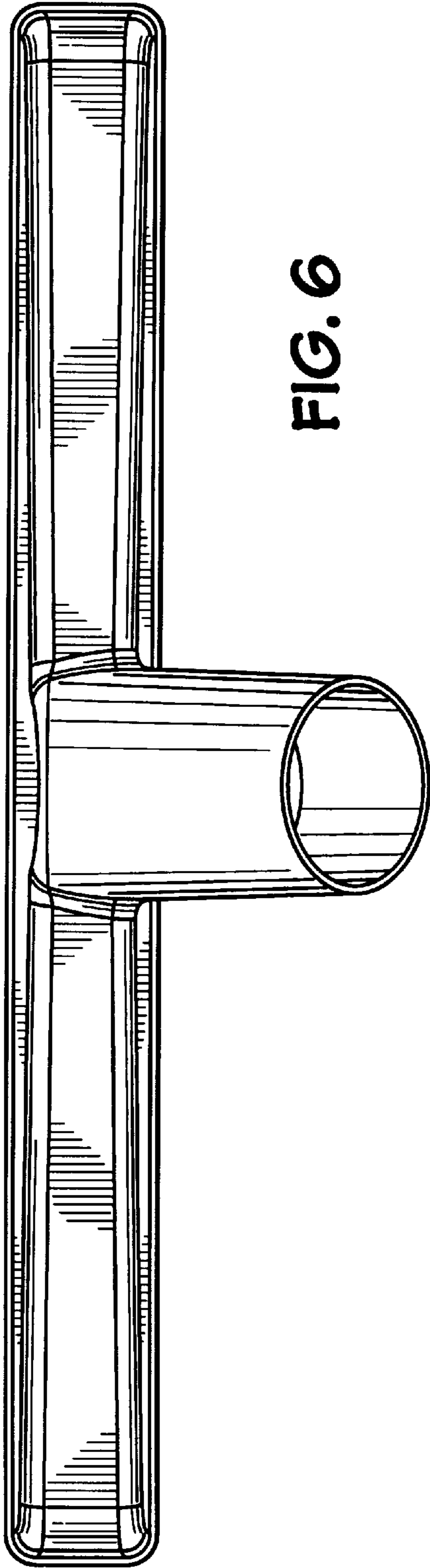


FIG. 5



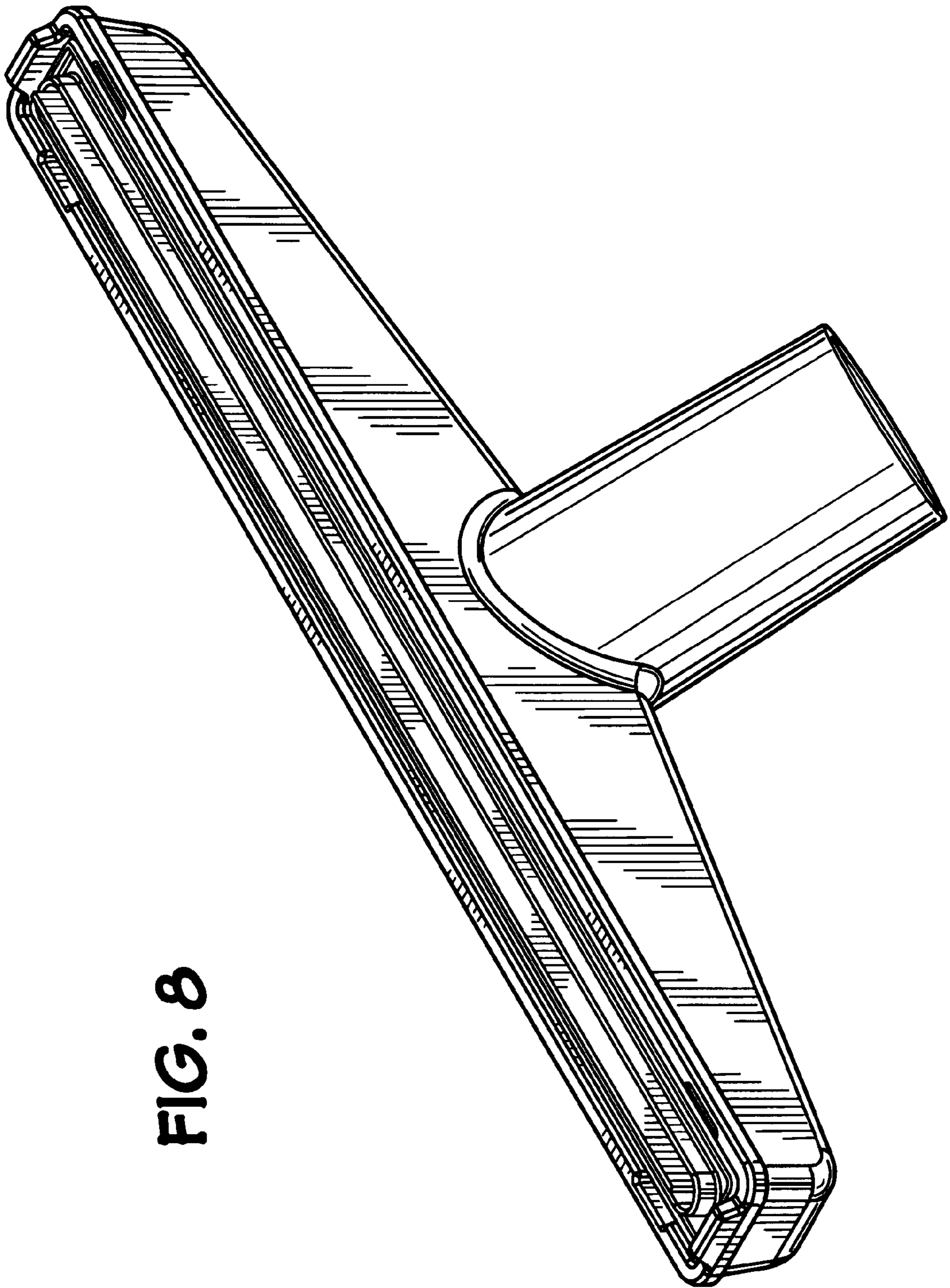


FIG. 8

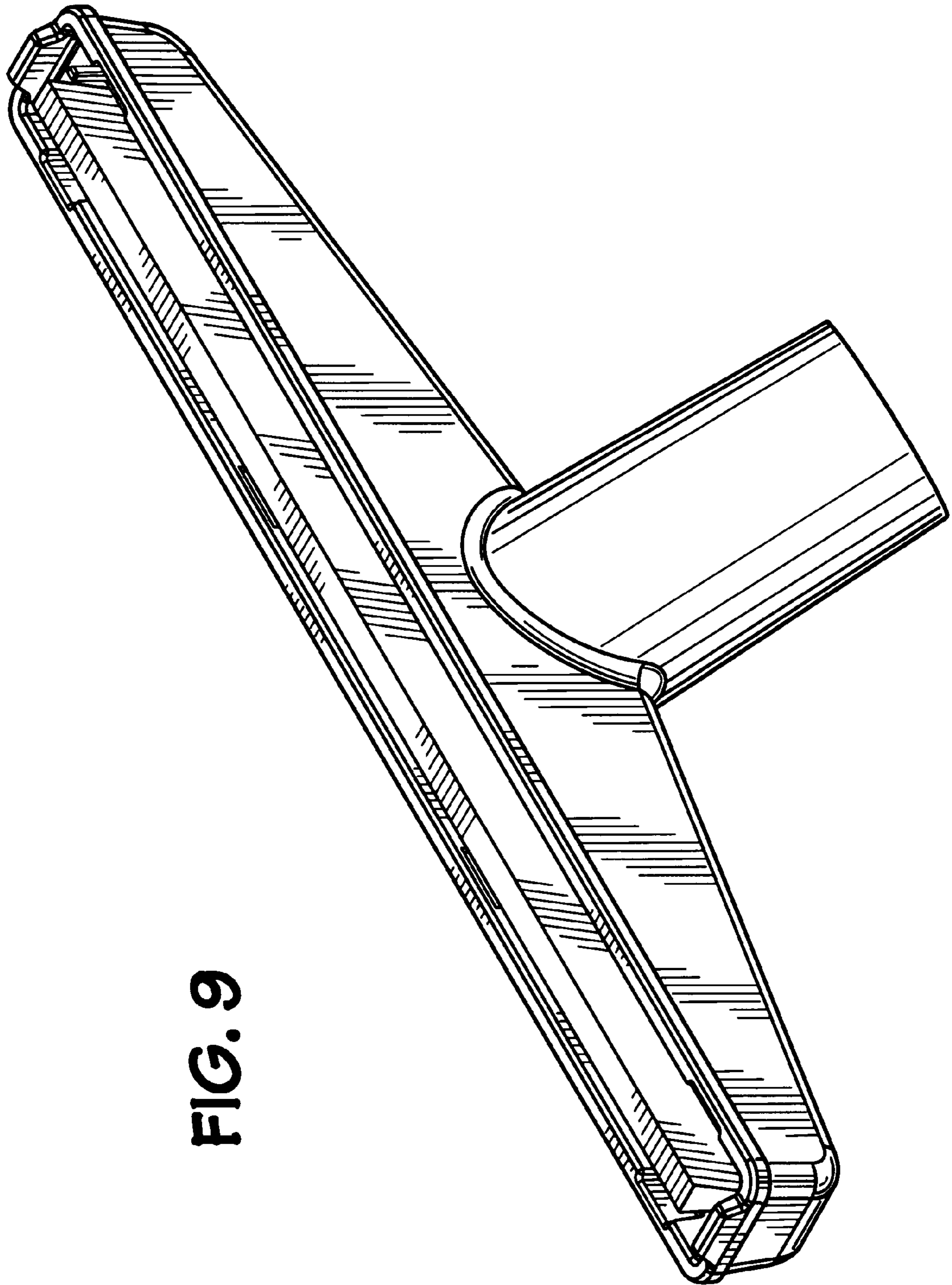


FIG. 9