



US00D424765S

United States Patent [19]

[11] Patent Number: Des. 424,765

Lund et al.

[45] Date of Patent: ** May 9, 2000

[54] CENTER PORTION OF A BRUSH

3,958,294	5/1976	Thompson .
4,907,378	3/1990	Huppert .
5,170,593	12/1992	Tyler et al. .
5,187,904	2/1993	Tyler et al. .
5,316,812	5/1994	Stout et al. .
5,679,067	10/1997	Johnson et al. .
5,903,951	5/1999	Ionta et al. .
5,915,436	6/1999	Johnson et al. .

[75] Inventors: **Yvonne I. Lund; Richard M. Pihl**, both of Cottage Grove, Minn.; **David C. Roeker**, Hudson, Wis.

[73] Assignee: **3M Innovative Properties Company**, St. Paul, Minn.

[**] Term: 14 Years

[21] Appl. No.: 29/105,302

[22] Filed: May 21, 1999

[51] LOC (7) Cl. 15-05

[52] U.S. Cl. D32/25

[58] Field of Search D32/25, 15-20; 15/179, 180, 210

OTHER PUBLICATIONS

Front page of a brochure entitled "Fladder Finishing Tools and Machines" No Date Supplied.

Primary Examiner—Mitchell Siegel

[57] CLAIM

The ornamental design for a center portion of a brush, as shown and described.

DESCRIPTION

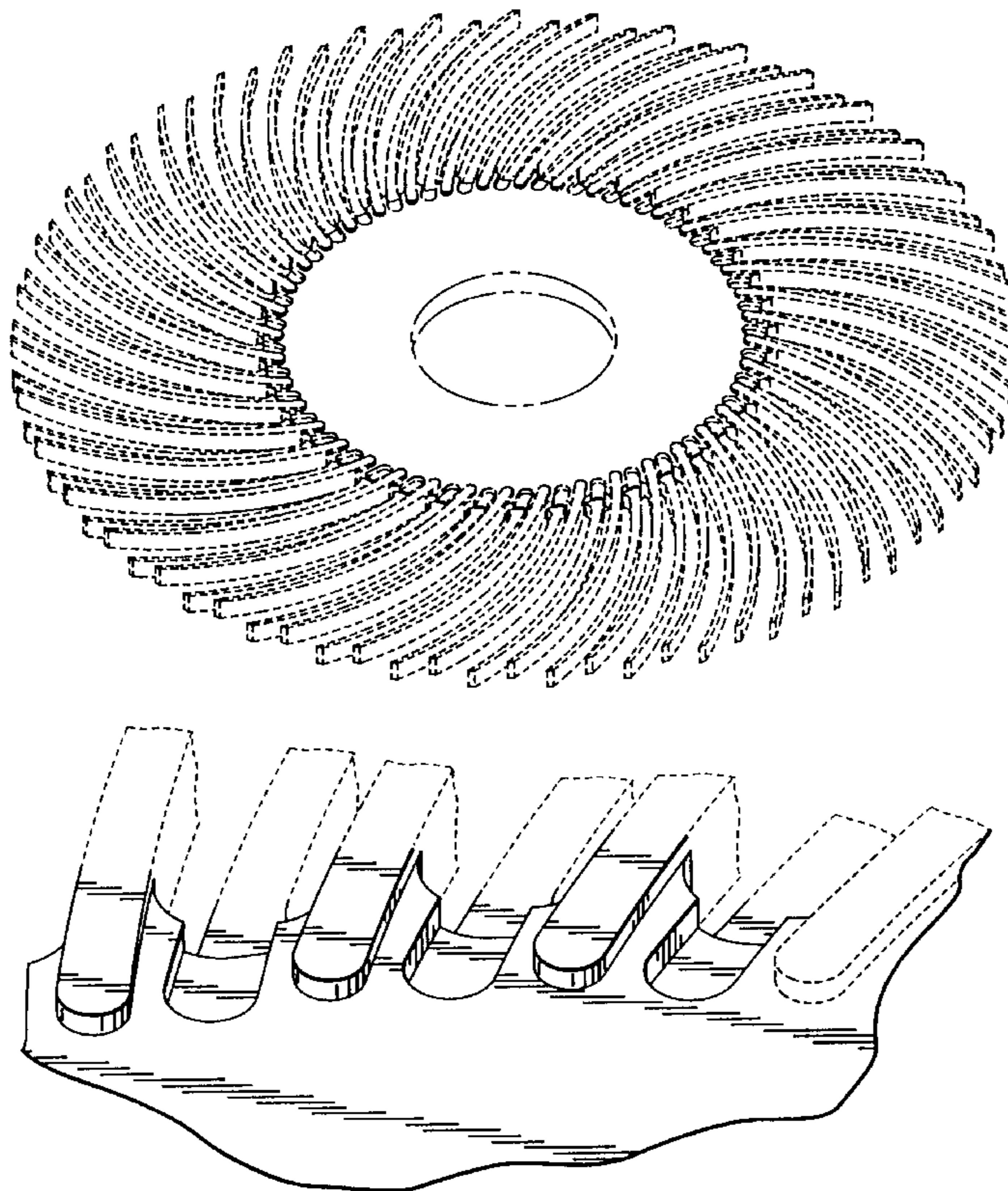
FIG. 1 is an isometric view of a center portion of a bristle brush;
 FIG. 2 is a right side view thereof;
 FIG. 3 is a top plan view thereof;
 FIG. 4 is a bottom plan view thereof; and,
 FIG. 5 is an enlarged isometric view of a portion thereof.
 The left side view is identical to the right side view.
 The broken lines in the drawings are for illustrative purposes only and form no part of the claimed design.

1 Claim, 3 Drawing Sheets

[56] References Cited

U.S. PATENT DOCUMENTS

D. 369,447	4/1996	Mann et al. .	
D. 378,004	2/1997	Wilson et al. .	
D. 381,139	7/1997	Johnson et al. .	
D. 408,601	4/1999	Winter et al.	D32/25
D. 409,340	5/1999	Winter et al.	D32/25
2,682,734	7/1954	Peterson .	
2,826,776	3/1958	Peterson .	
2,984,053	5/1961	Peterson .	
3,233,272	2/1966	Pambello .	



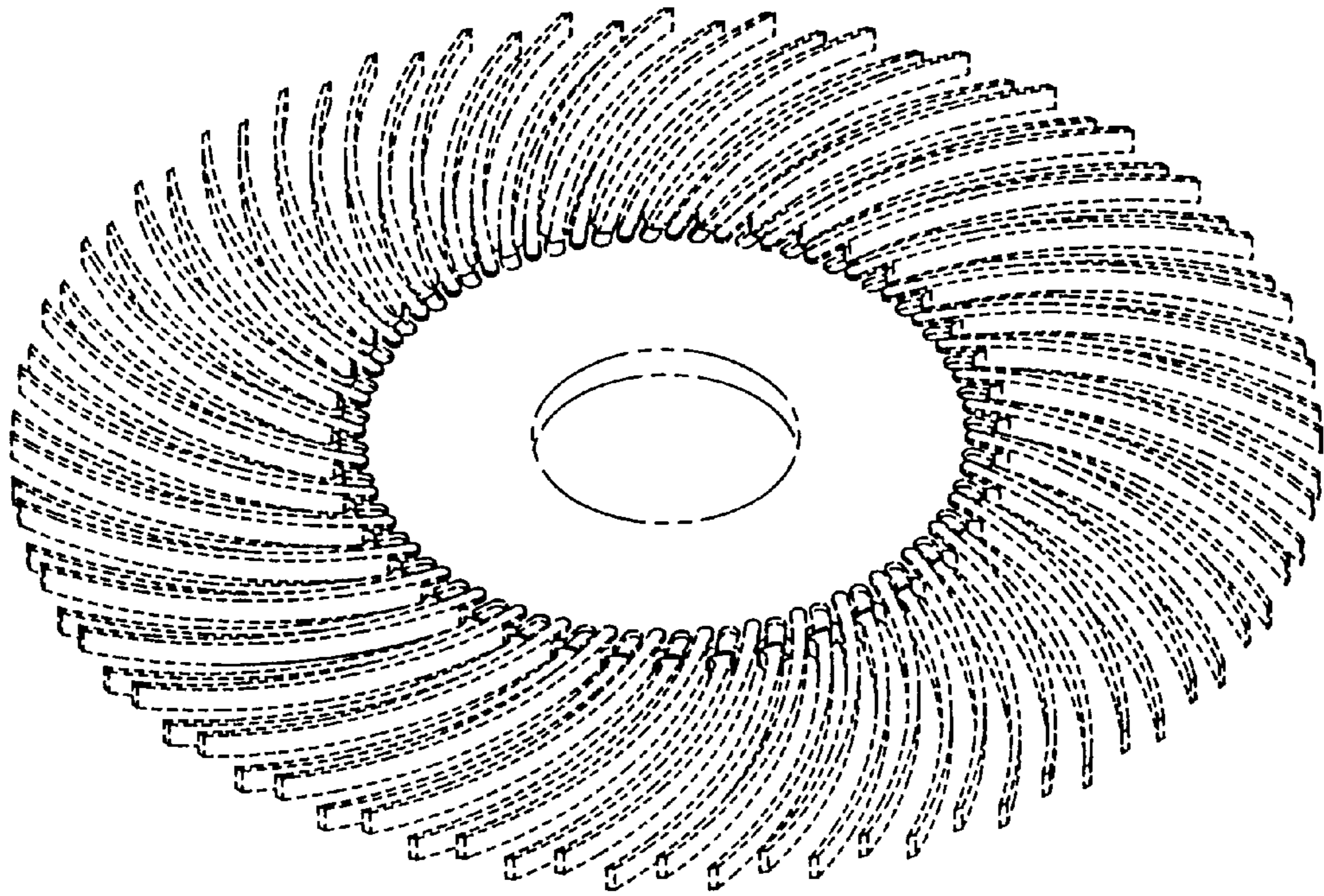


Fig. 1

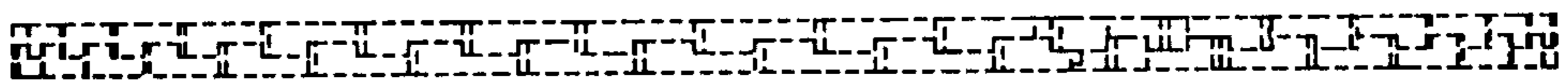


Fig. 2

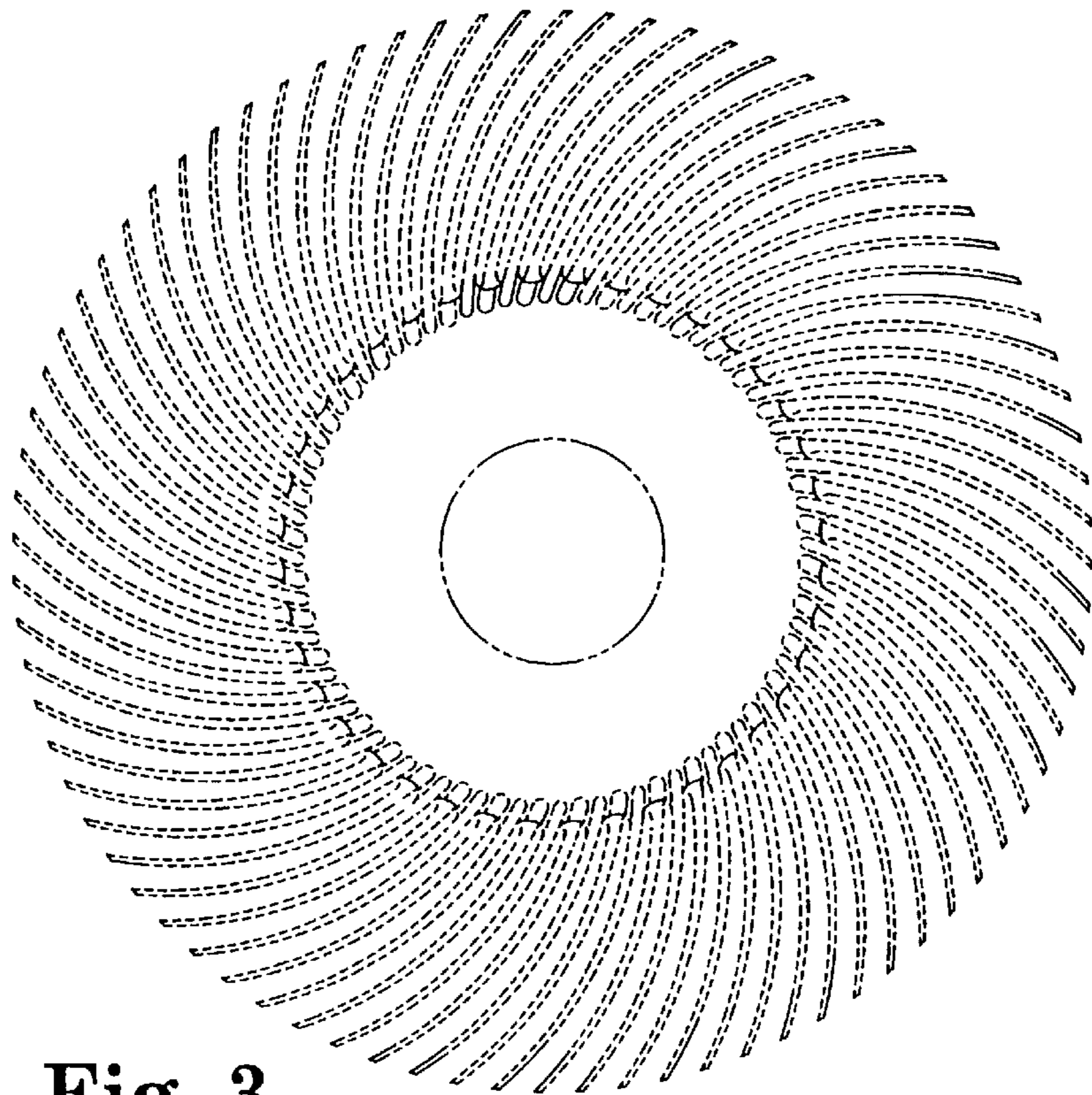


Fig. 3

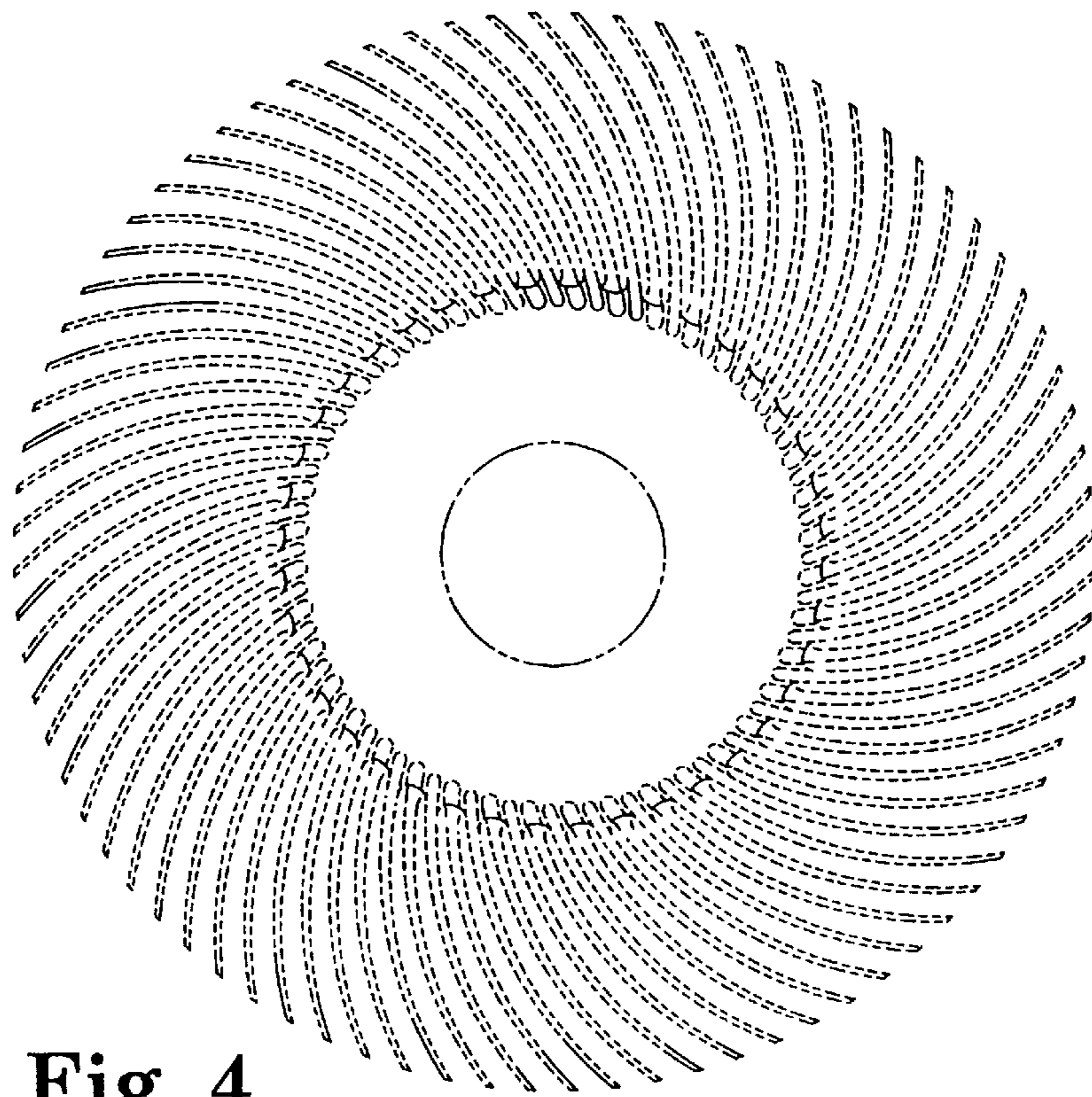


Fig. 4

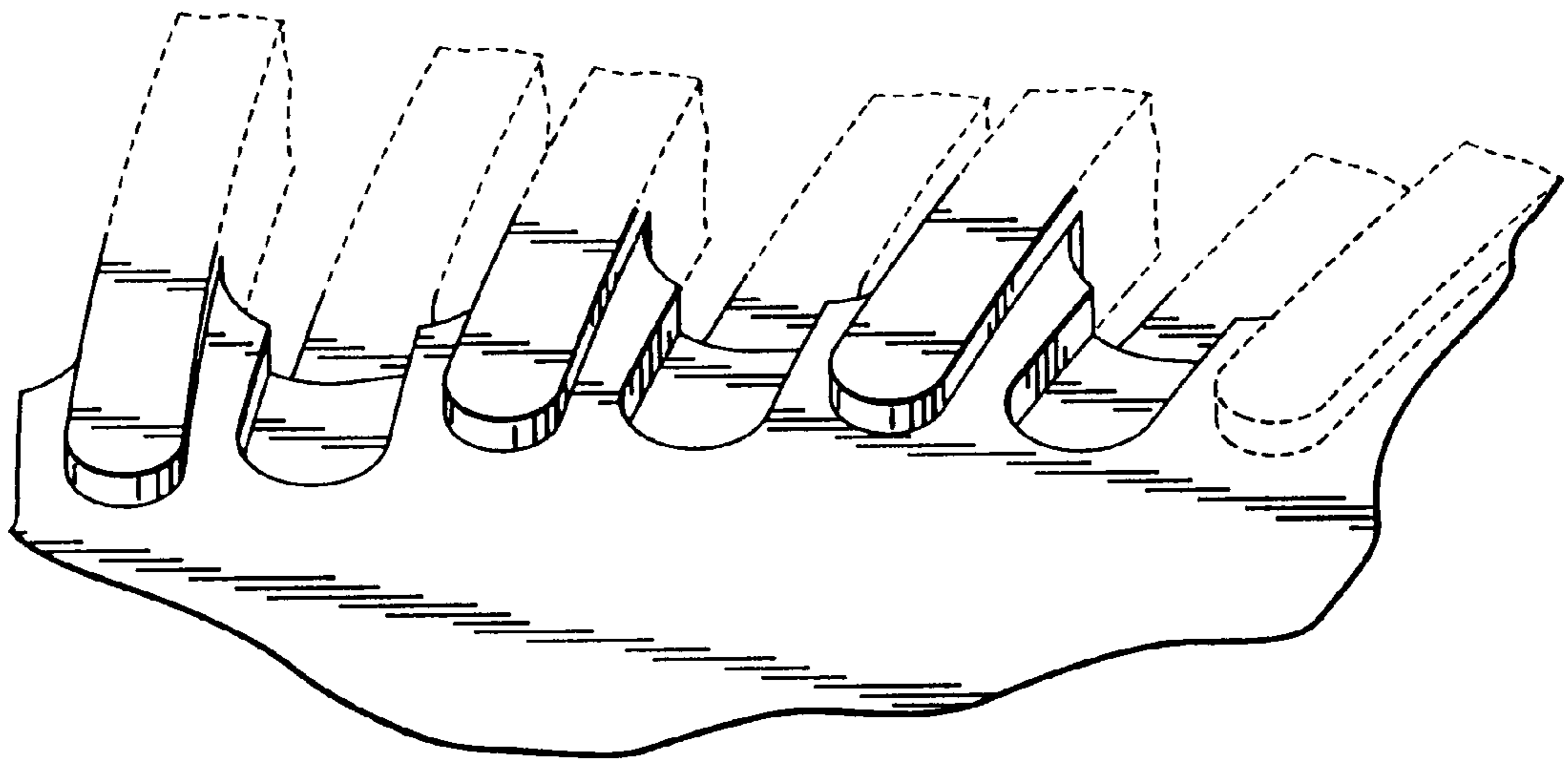


Fig. 5