



US00D424764S

# United States Patent [19]

[11] Patent Number: Des. 424,764

Collins et al.

[45] Date of Patent: \*\* May 9, 2000

[54] **HYDROFILTRATION VACUUM  
EXTRACTION MACHINE**

[75] Inventors: **Gary W. Collins; Kehl T. LeSourd,**  
both of Reno, Nev.

[73] Assignee: **Thermax, Inc.,** Reno, Nev.

[\*\*] Term: **14 Years**

[21] Appl. No.: **29/085,221**

[22] Filed: **Mar. 18, 1998**

[51] **LOC (7) Cl.** ..... **15-05**

[52] **U.S. Cl.** ..... **D32/21**

[58] **Field of Search** ..... D32/31, 21, 23,  
D32/24, 25, 30; 15/323, 325, 326, 327.1,  
327.2, 321, 347, 353

[56] **References Cited**

**U.S. PATENT DOCUMENTS**

D. 276,944	12/1984	Parker et al.	.....	D32/24
D. 279,321	6/1985	Schoettler	.....	D32/24
D. 288,972	3/1987	Morioka et al.	.....	D32/24
D. 312,902	12/1990	Essex et al.	.....	D32/24
D. 318,544	7/1991	Schoettler	.....	D32/24
D. 343,934	2/1994	Meelen	.....	D32/24
D. 352,146	11/1994	Wulff	.....	D32/24
D. 355,283	2/1995	Thomas et al.	.....	D32/24
D. 399,616	10/1998	Bobrosky et al.	.....	D32/21

*Primary Examiner*—Ruth McInroy

*Attorney, Agent, or Firm*—Sughrue, Mion, Zinn, Macpeak  
& Seas, PLLC

[57] **CLAIM**

The ornamental design for a hydrofiltration vacuum extraction machine, as shown and described.

**DESCRIPTION**

FIG. 1 is a perspective view of a solution tank;  
 FIG. 2 is a front elevational view of the solution tank;  
 FIG. 3 is a rear elevational view of the solution tank;  
 FIG. 4 is a top plan view of the solution tank;  
 FIG. 5 is a bottom plan view of the solution tank;  
 FIG. 6 is a right side elevational view of the solution tank;  
 FIG. 7 is a perspective view of the vacuum;  
 FIG. 8 is a front elevational view of the vacuum;  
 FIG. 9 is a rear elevational view of the vacuum;  
 FIG. 10 is a right side elevational view of the vacuum;  
 FIG. 11 is a top plan view of the vacuum;  
 FIG. 12 is a bottom plan view of the vacuum;  
 FIG. 13 is a perspective view of the solution tank installed on the vacuum;  
 FIG. 14 is a front elevational view of the solution tank installed on the vacuum;  
 FIG. 15 is a rear elevational view of the solution tank installed on the vacuum;  
 FIG. 16 is a top plan view of the solution tank installed on the vacuum; and,  
 FIG. 17 is a right side elevational view of the solution tank installed on the vacuum.  
 The solution tank (FIGS. 1–6) and vacuum machine FIGS. 7–6 and vacuum machine (FIGS. 7–12) are shown separate for clarity of illustration, the claimed design being directed to the entire hydrofiltration vacuum extraction machine shown in FIGS. 13–17.

**1 Claim, 15 Drawing Sheets**

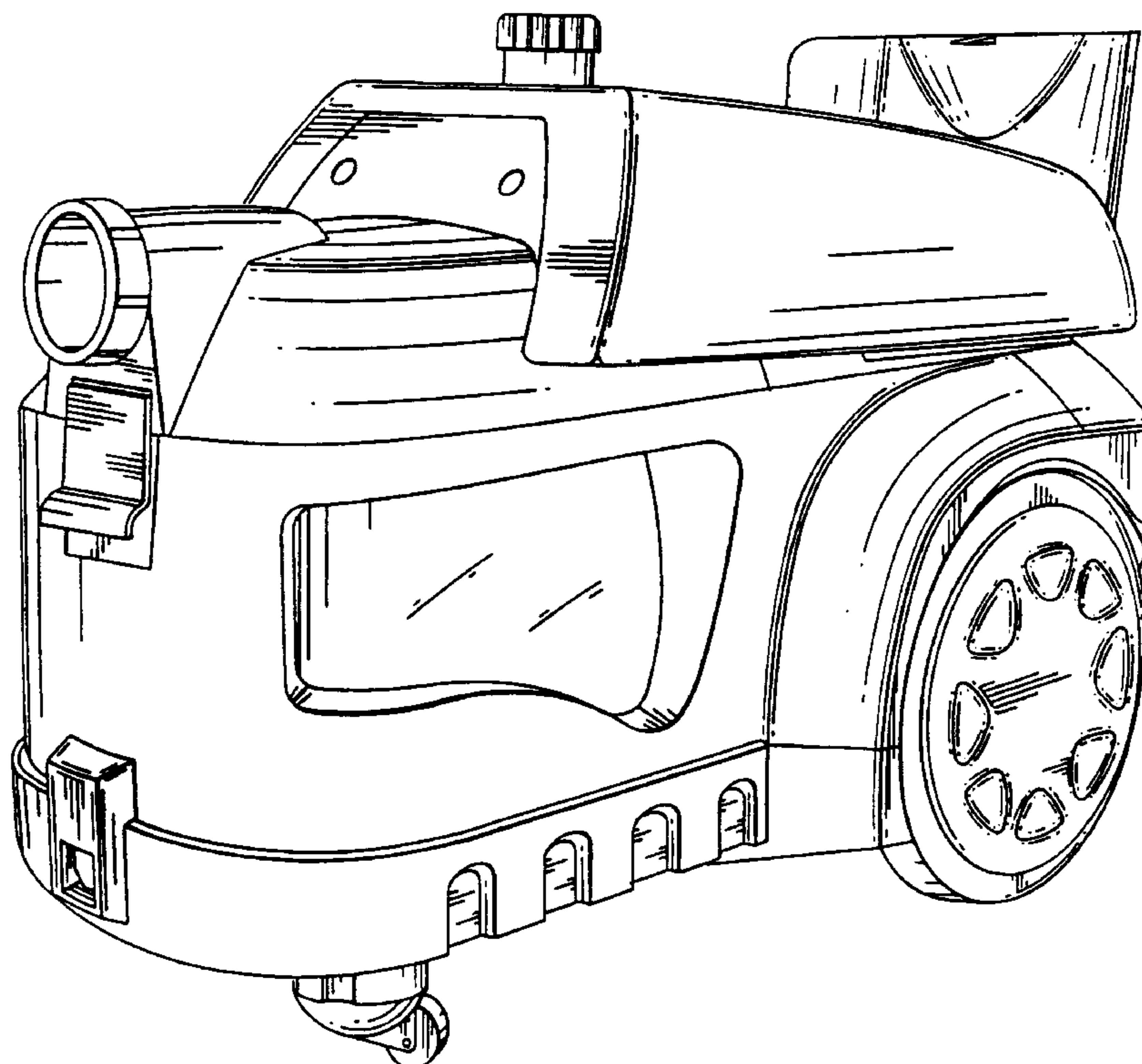


FIG. 1

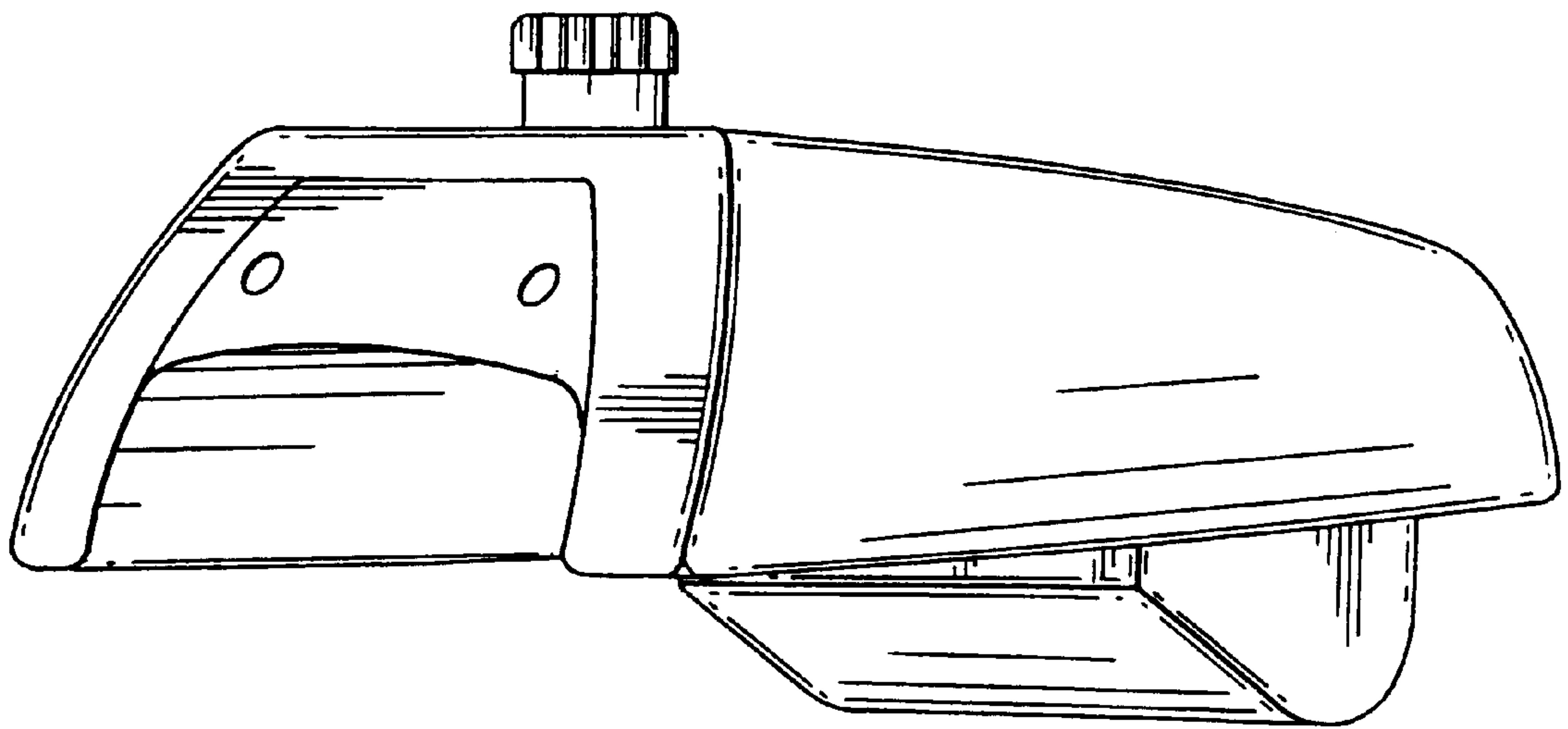


FIG. 2

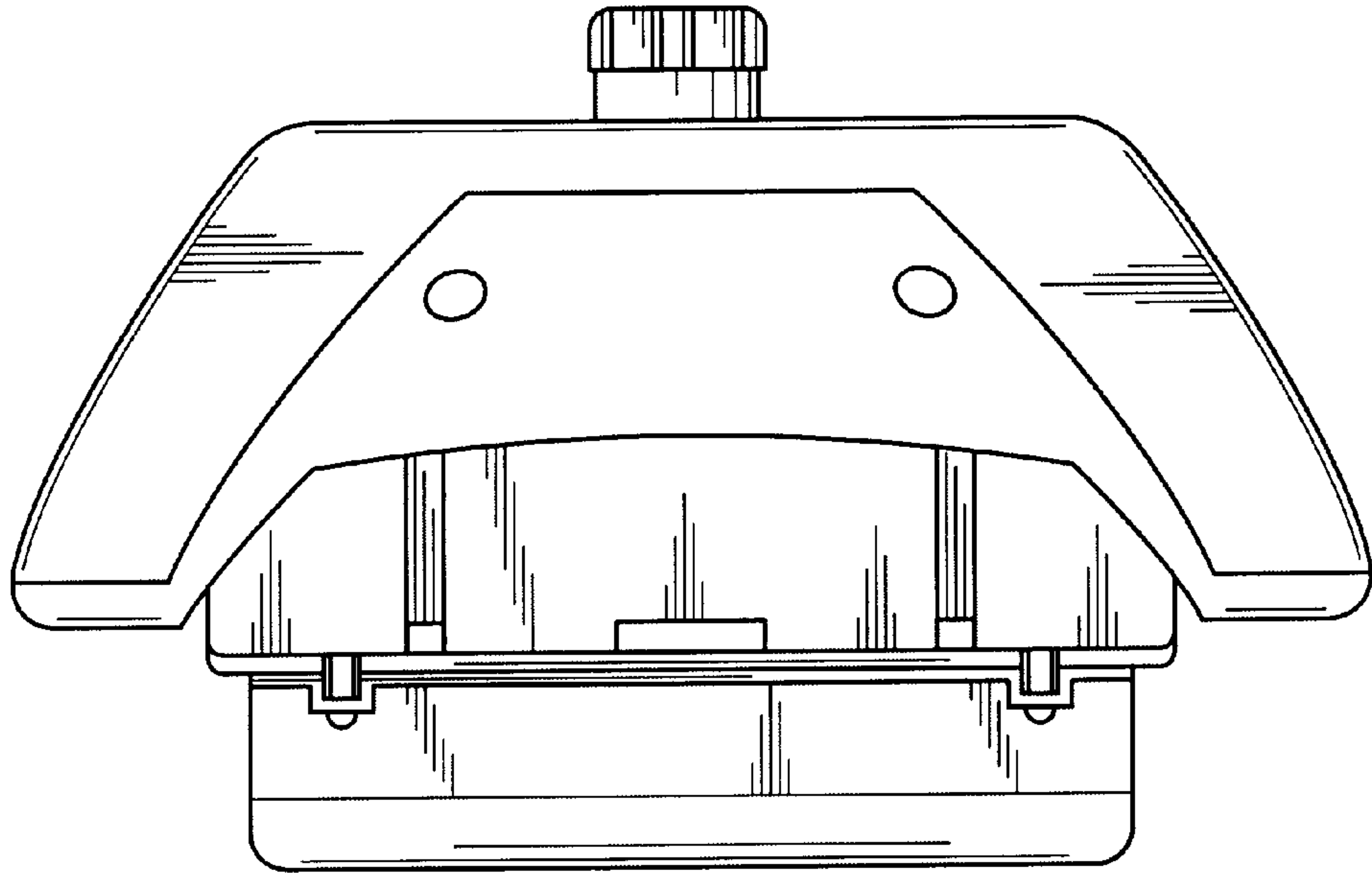


FIG. 3

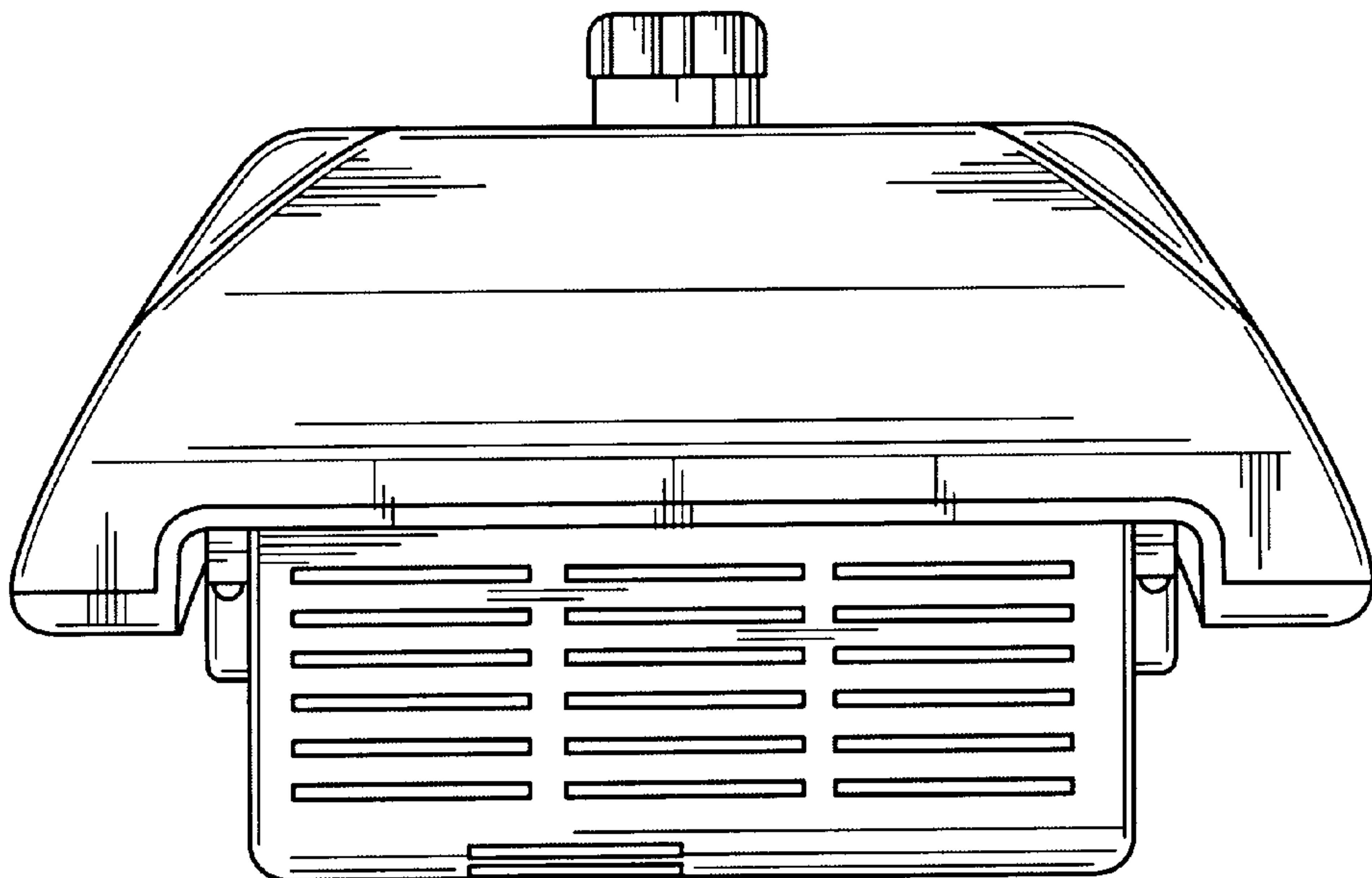


FIG. 4

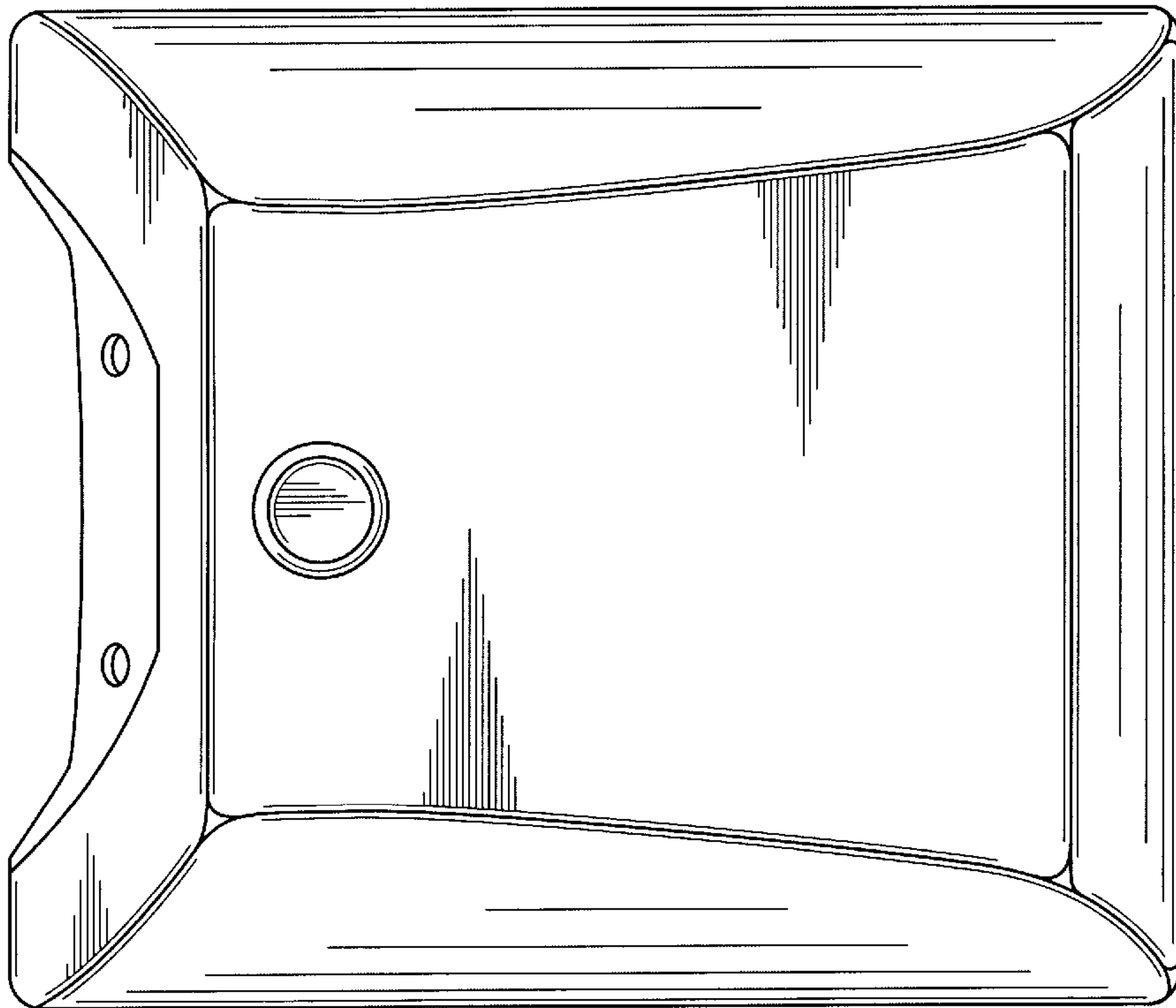


FIG. 5

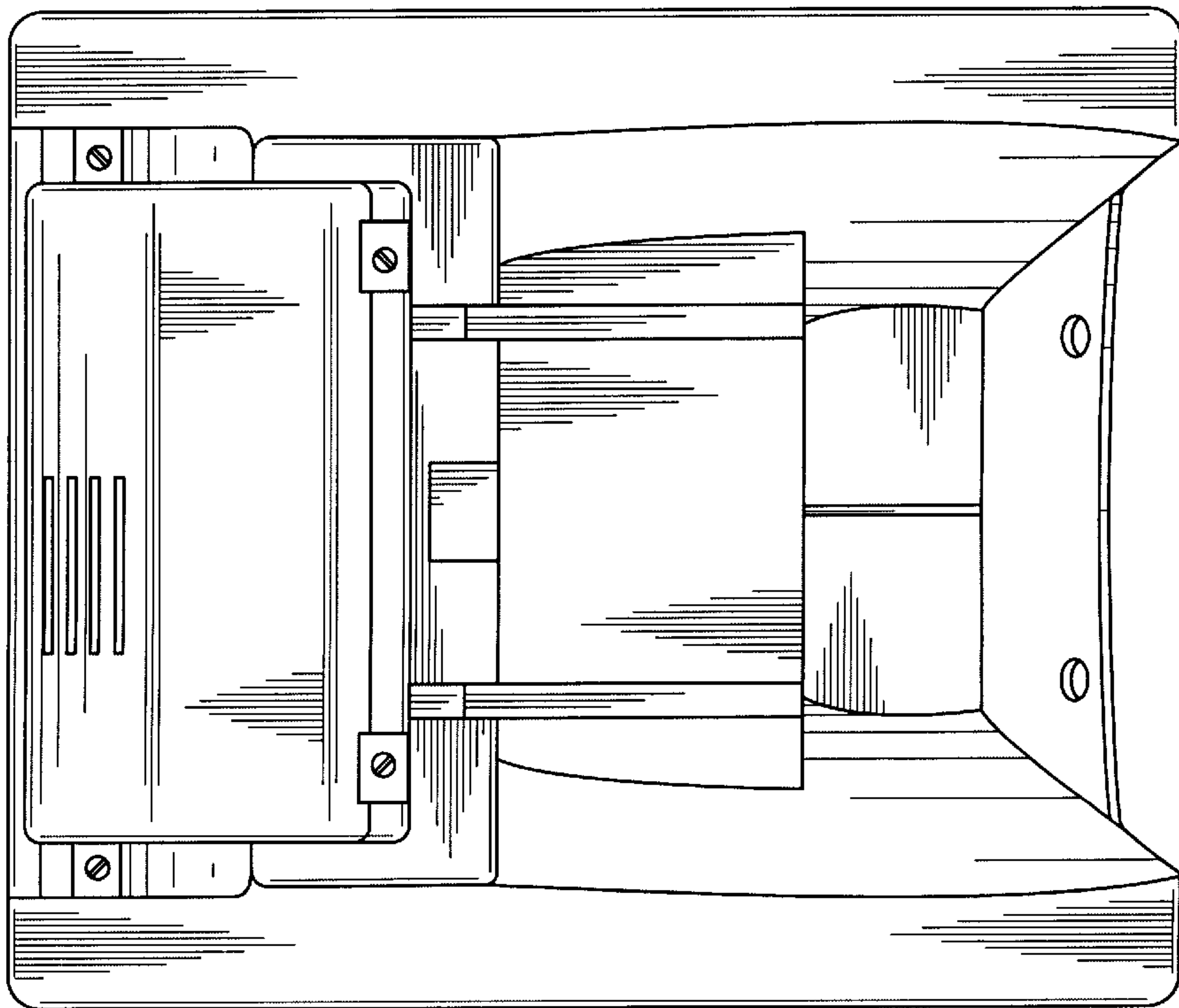


FIG. 6

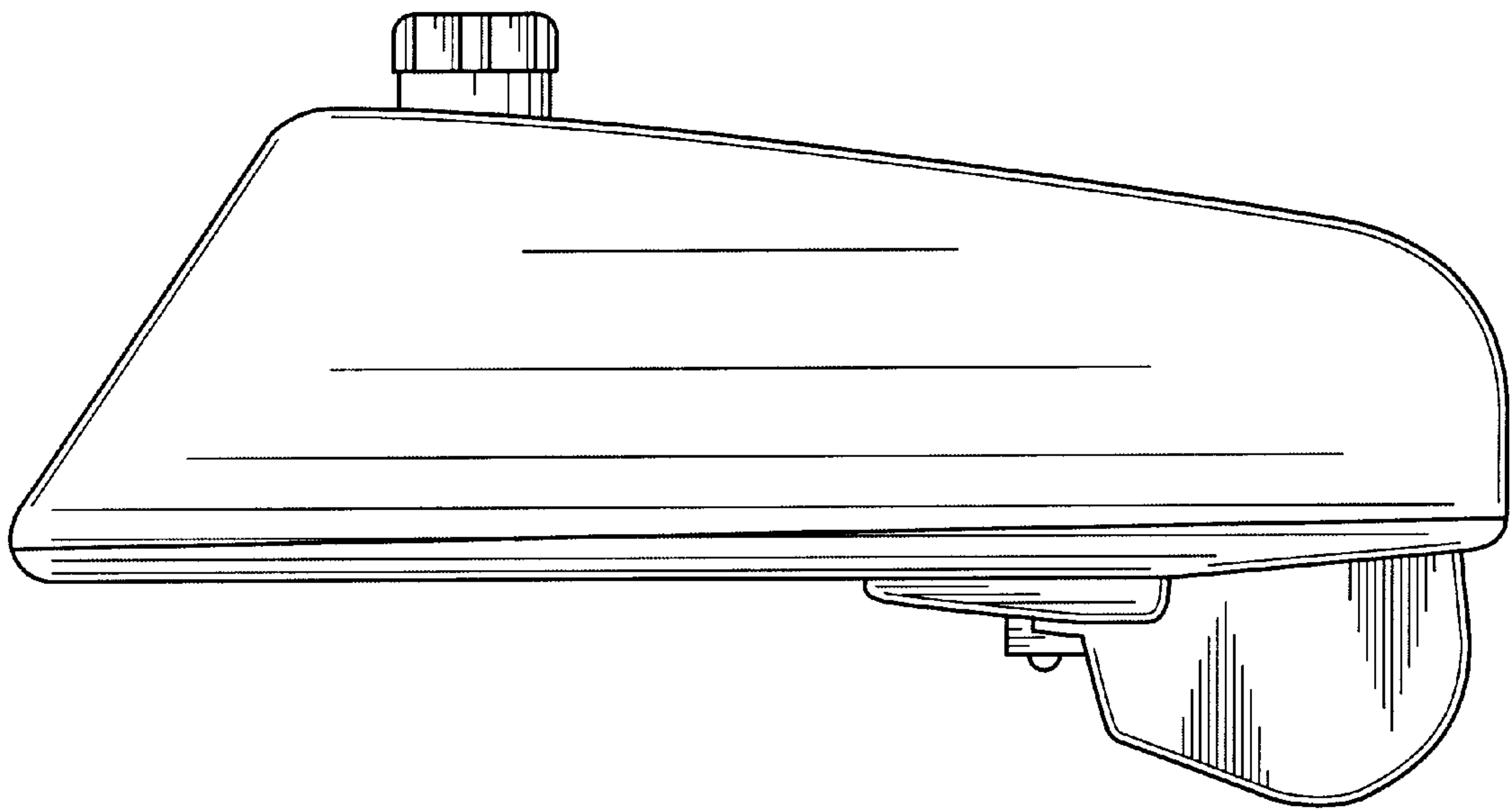




FIG. 7

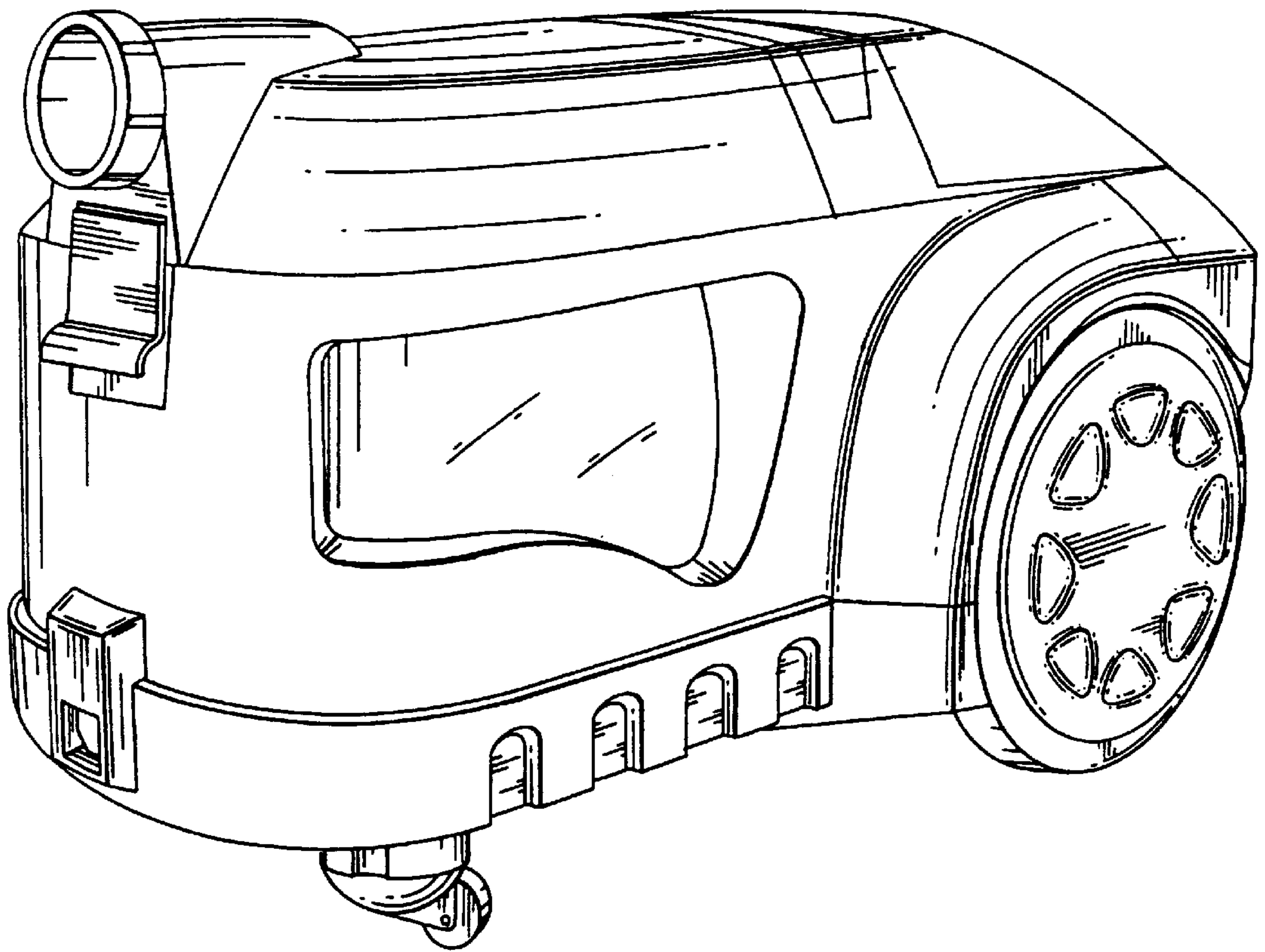


FIG. 8

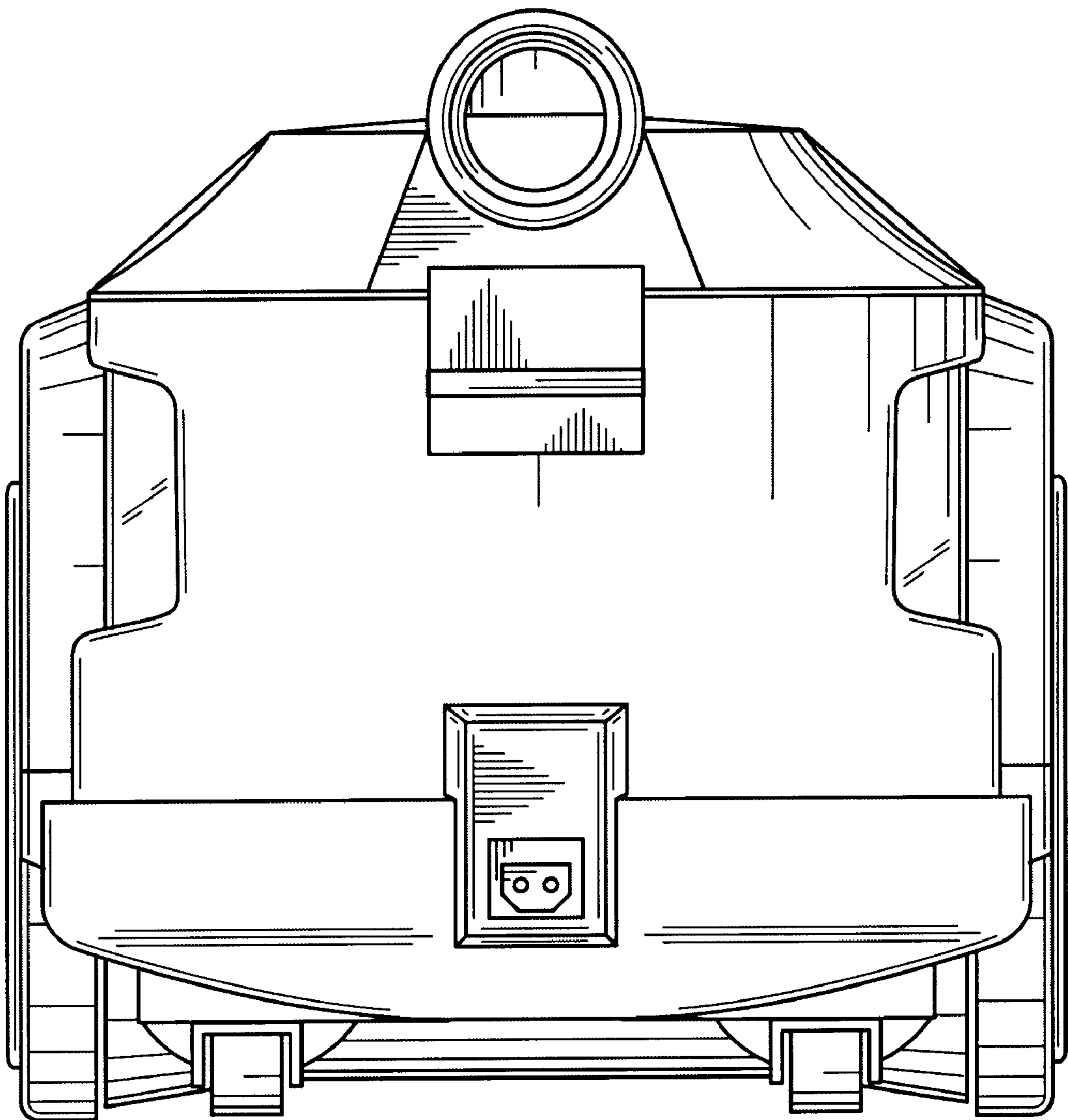


FIG. 9

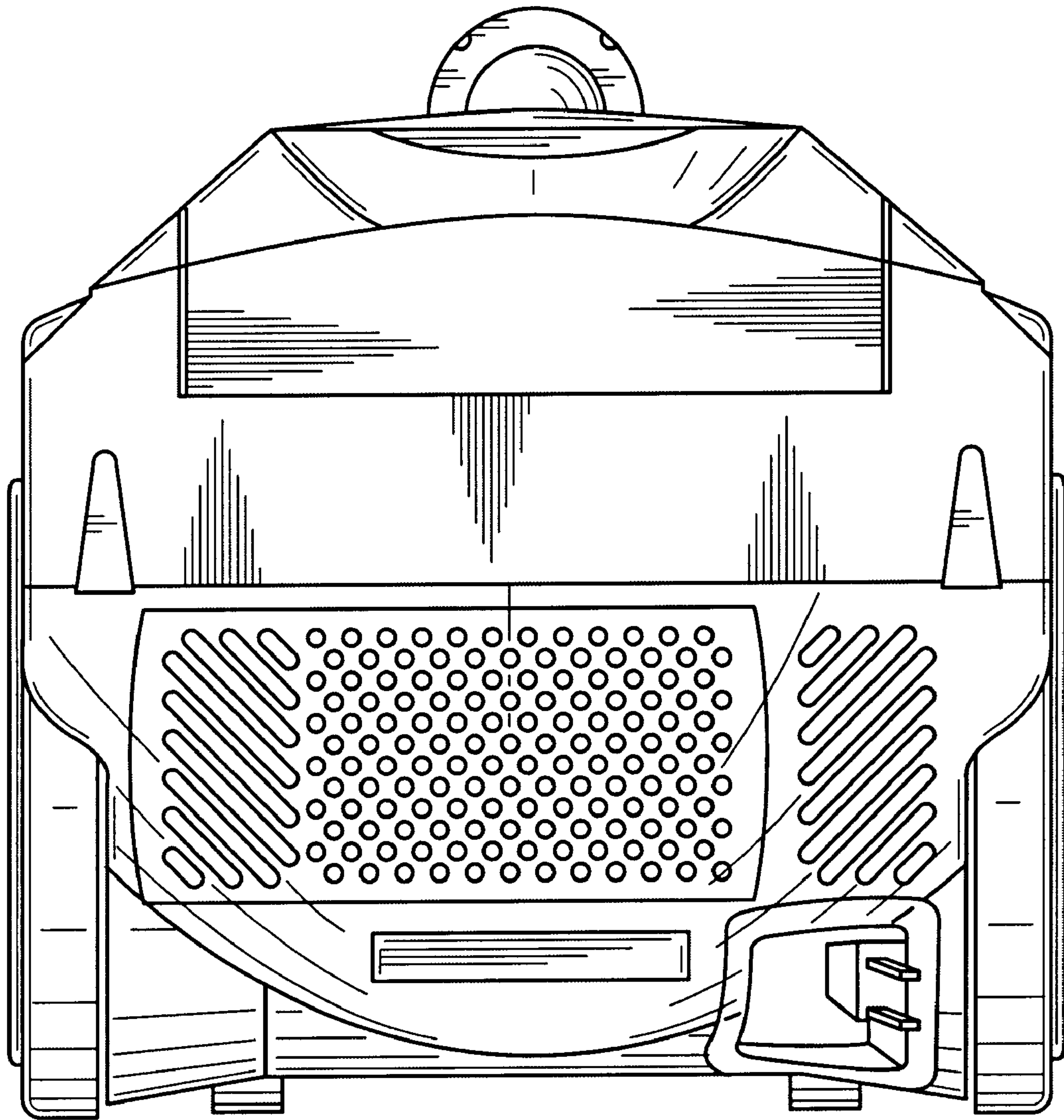




FIG. 10

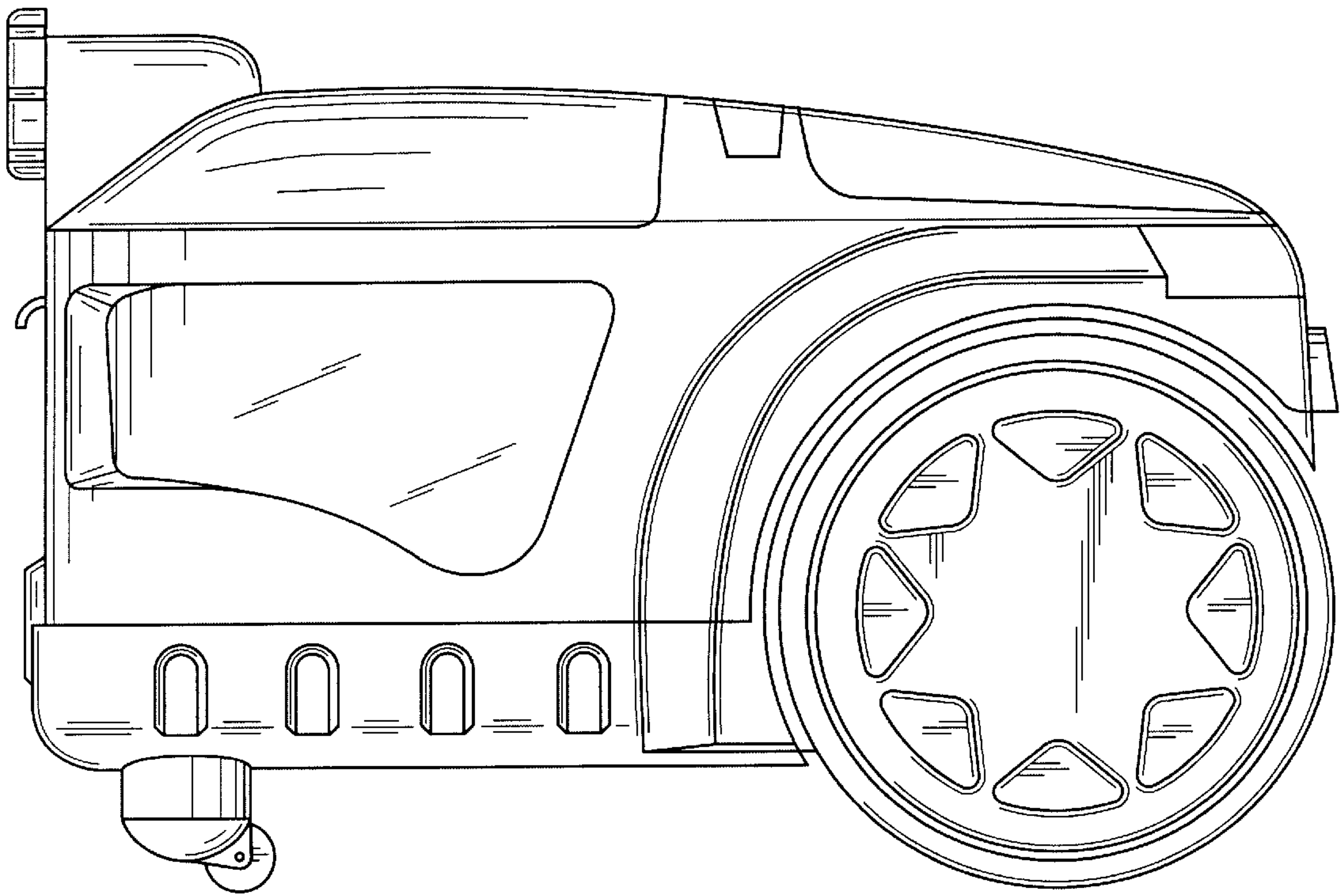


FIG. 11

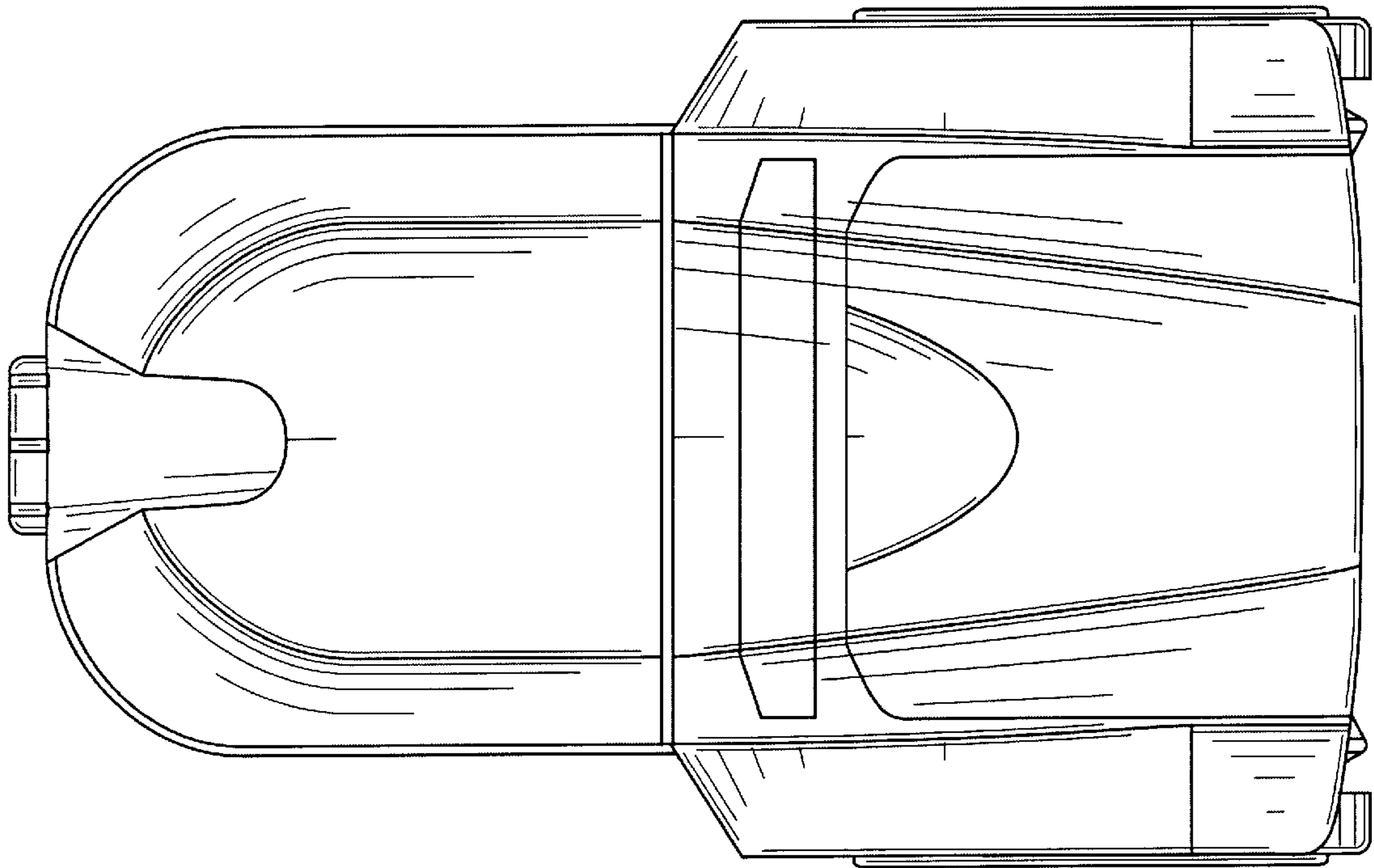


FIG. 12

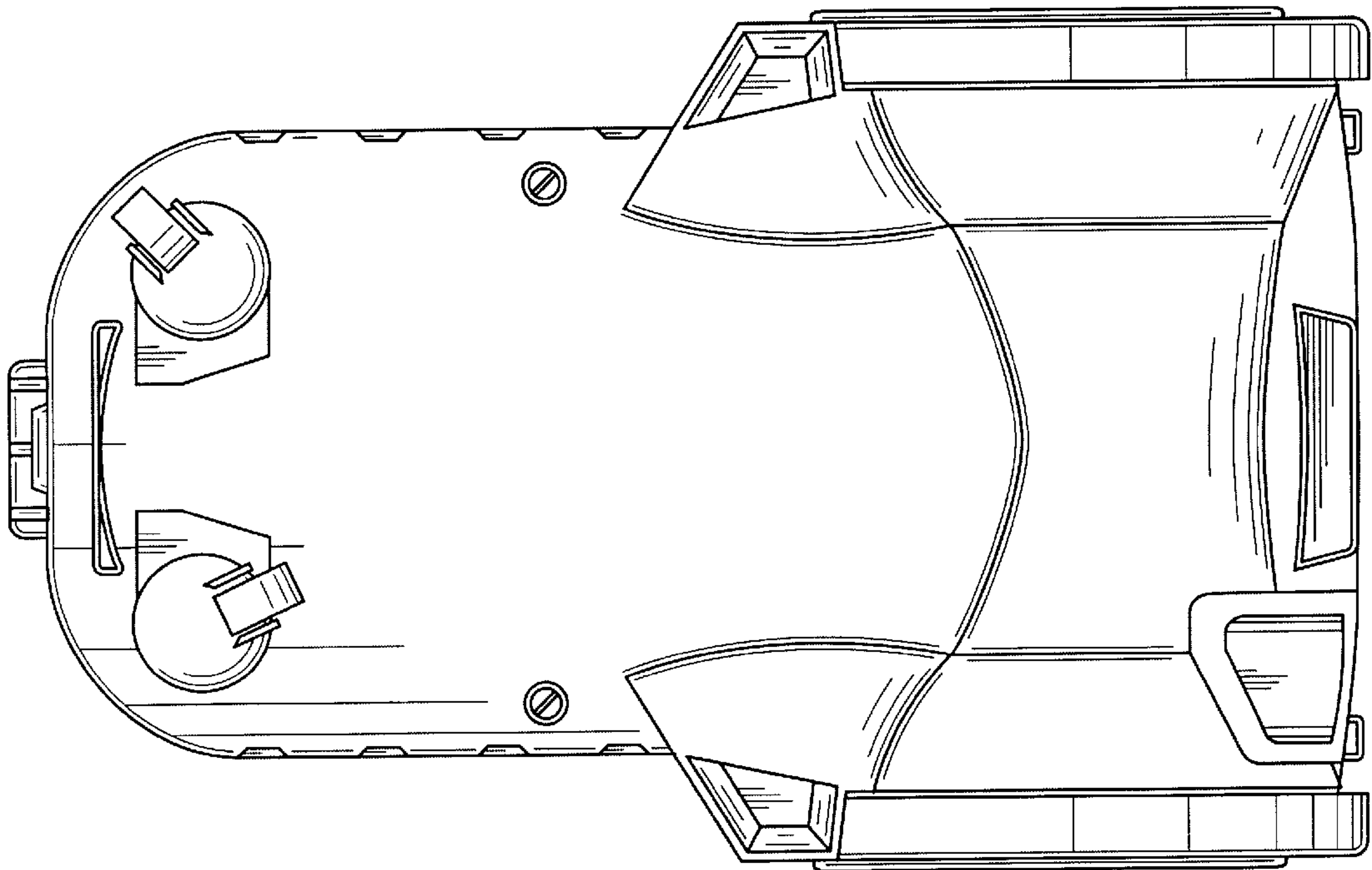


FIG. 13

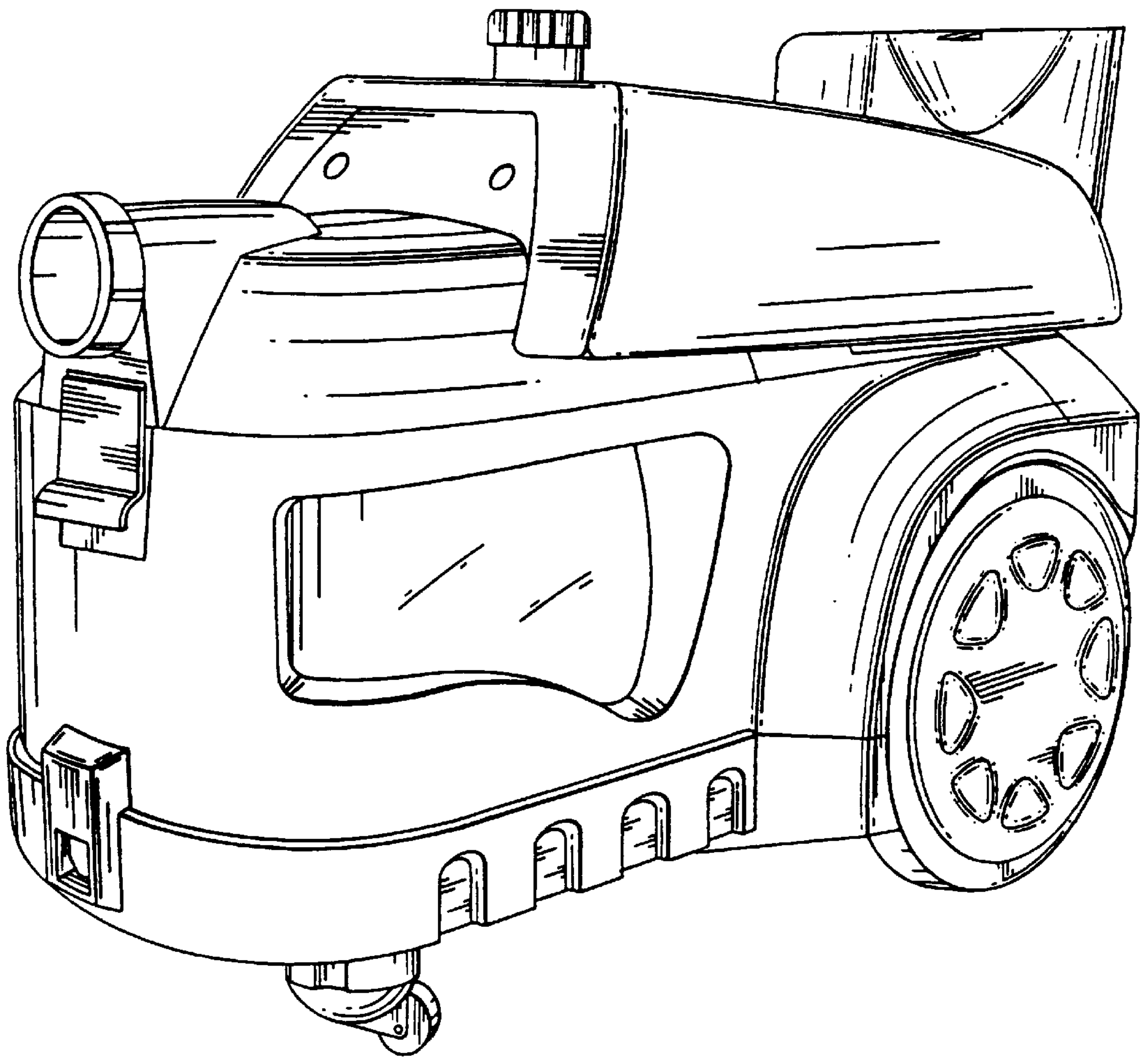


FIG. 14

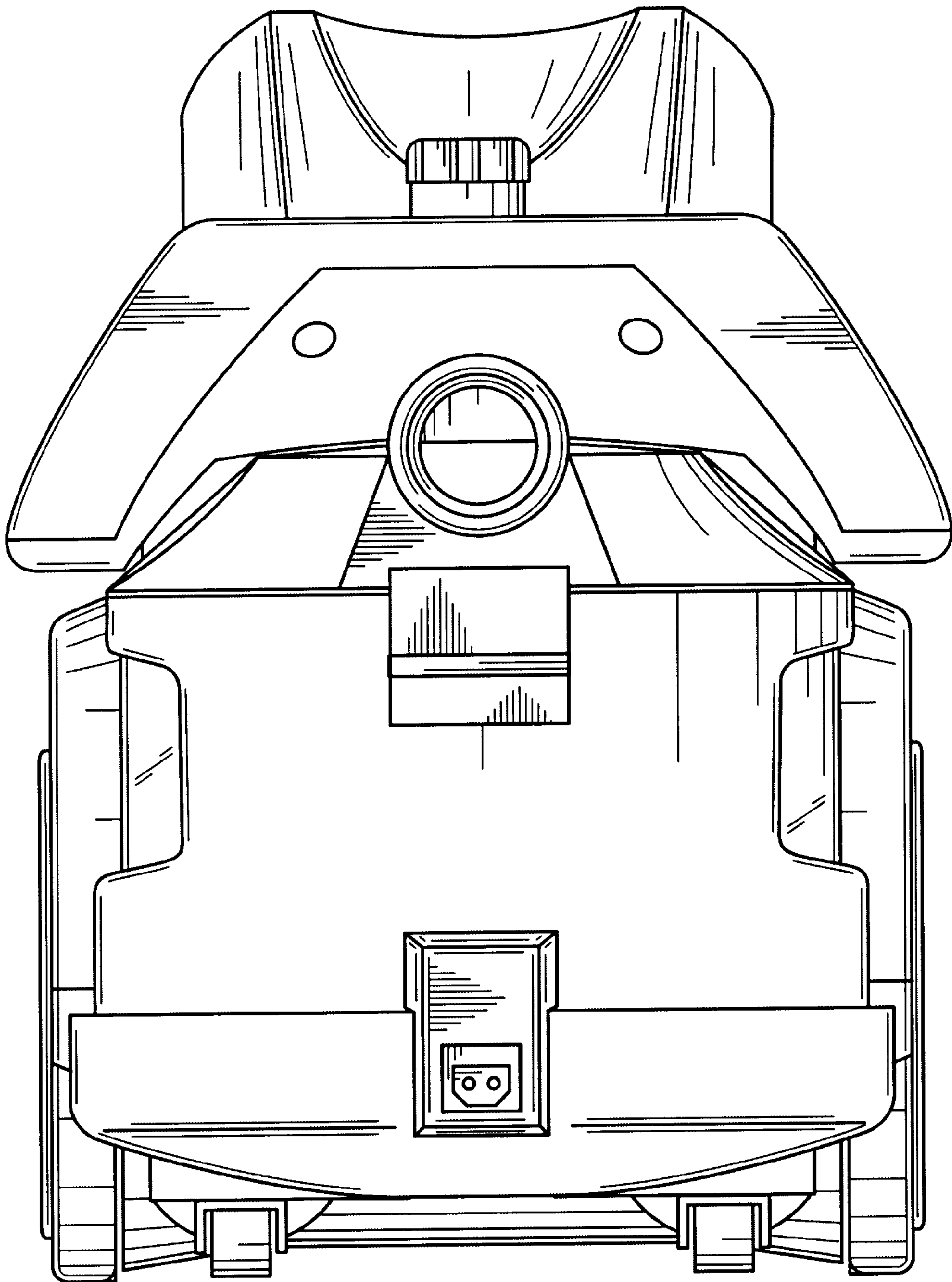




FIG. 15

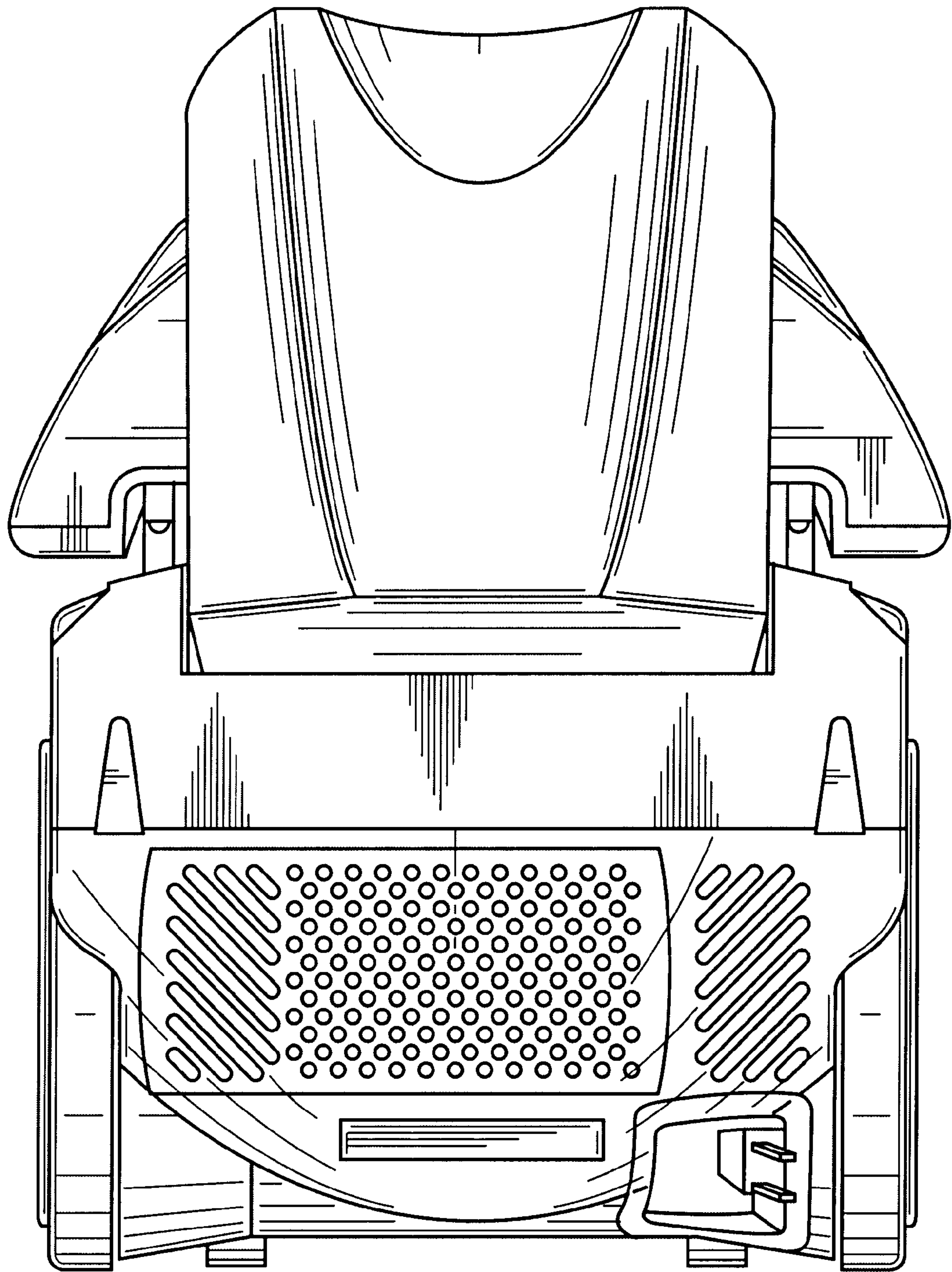


FIG. 16

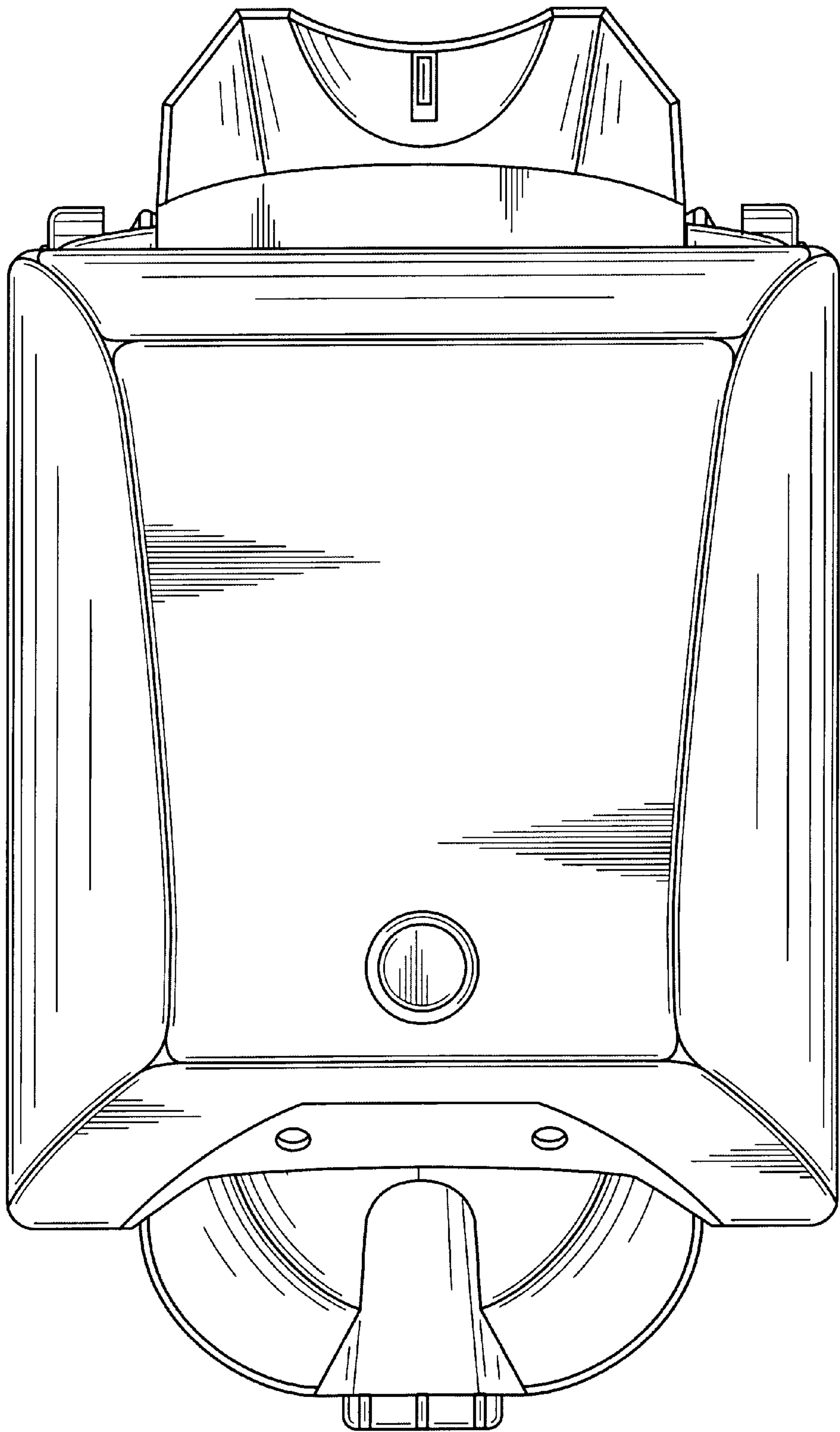


FIG. 17

