



US00D424763S

# United States Patent [19]

Schinzing et al.

[11] Patent Number: Des. 424,763

[45] Date of Patent: \*\* May 9, 2000

[54] AUTOMATIC WHEELCHAIR WASHER

[76] Inventors: **Walter W. Schinzing**, 1384 Idaho Ave. East, St. Paul, Minn. 55106; **Susan J. Spaulding**, 1668 Craig Pl., St. Paul, Minn. 55119; **Scott A. Schinzing**, 2725 4th Ave. East, North St. Paul, Minn. 55109

[\*\*] Term: 14 Years

[21] Appl. No.: 29/083,363

[22] Filed: Feb. 9, 1998

[51] LOC (7) Cl. .... 15-05

[52] U.S. Cl. .... D32/6

[58] Field of Search ..... D32/6, 8, 9, 25, D32/28, 29, 1, 4; 312/263, 265.6, 265.5; D24/203; 134/123; D23/315

### [56] References Cited

#### U.S. PATENT DOCUMENTS

D. 105,074	6/1937	Petersime .....	D24/203
D. 384,446	9/1997	Linton et al. ....	D32/1
D. 406,416	3/1999	Chan .....	D32/1
2,780,226	2/1957	Taves .....	D24/203
3,096,775	7/1963	Clarke et al. ....	134/123
3,492,678	2/1970	Bennett .....	D24/203

3,698,029	10/1972	Pulliam .	
3,736,948	6/1973	Crosswhite .	
3,801,371	4/1974	Martin .....	134/134
4,408,625	10/1983	Kuhl .	
4,421,132	12/1983	Kuhl .....	134/123
5,133,375	7/1992	Schinzing et al. .	
5,285,802	2/1994	Soderquist .....	134/123

Primary Examiner—Louis S. Zarfaz  
Assistant Examiner—Robert A. Delehanty

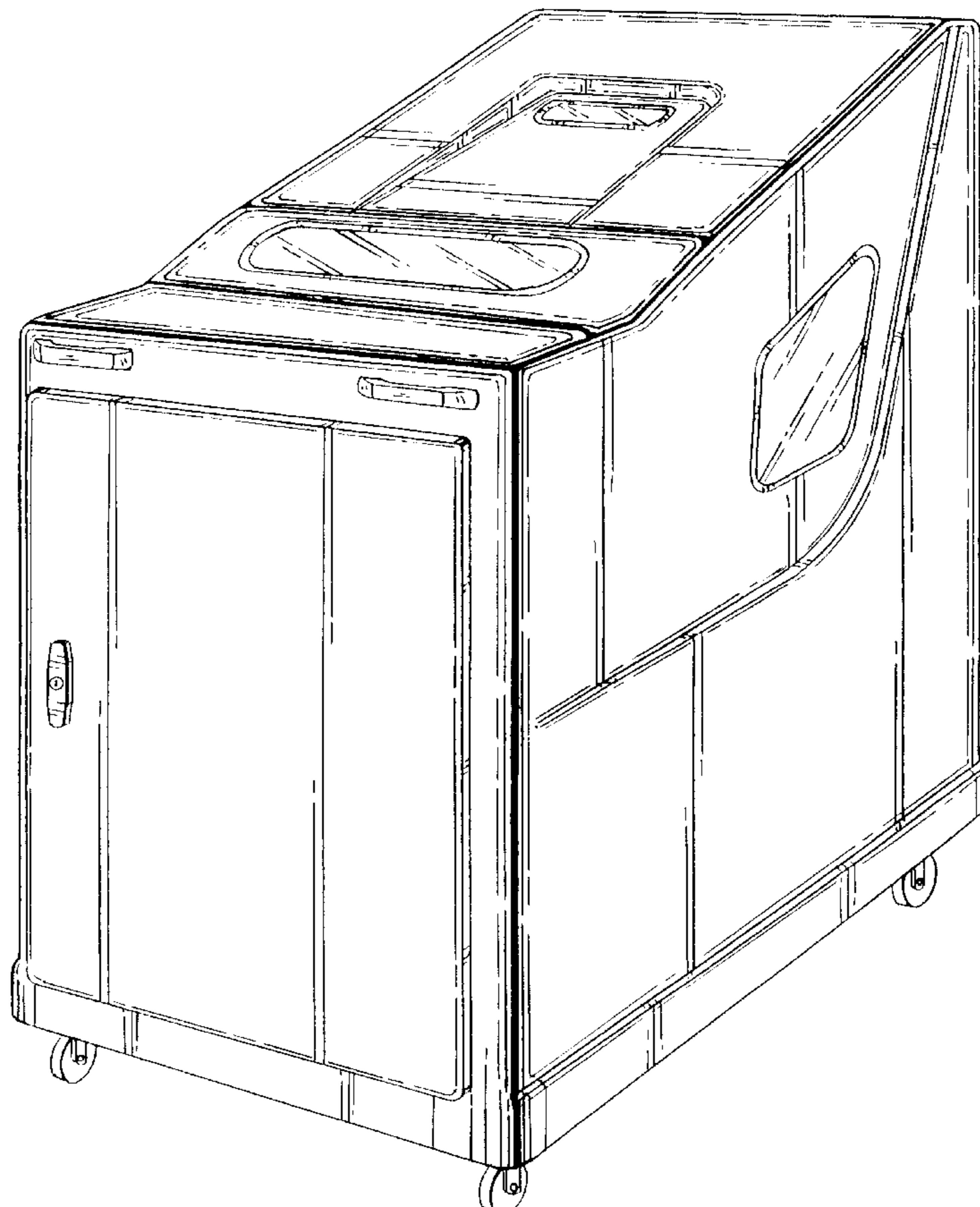
### [57] CLAIM

The ornamental design for an automatic wheelchair washer, as shown and described.

### DESCRIPTION

FIG. 1 is a front elevational view of the automatic wheelchair washer showing our new design; FIG. 2 is a rear elevational view thereof; FIG. 3 is a perspective view taken from the rear, side and top thereof; FIG. 4 is a perspective view taken from the rear, side and top thereof and taken from the side opposite that shown in FIG. 3; FIG. 5 is a side elevational view thereof; and, FIG. 6 is a side elevational view opposite the side shown in FIG. 5.

1 Claim, 6 Drawing Sheets



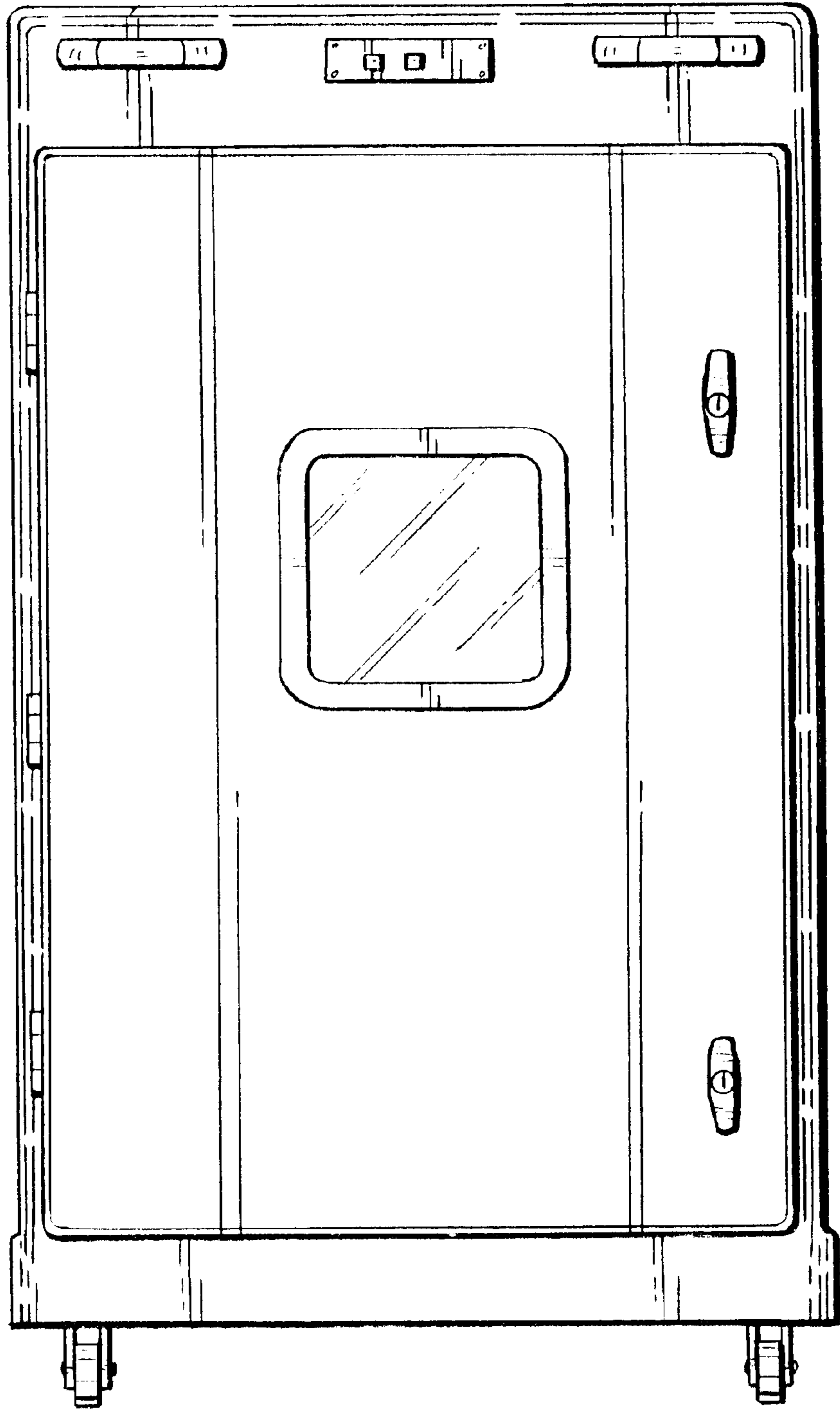


FIG. 1

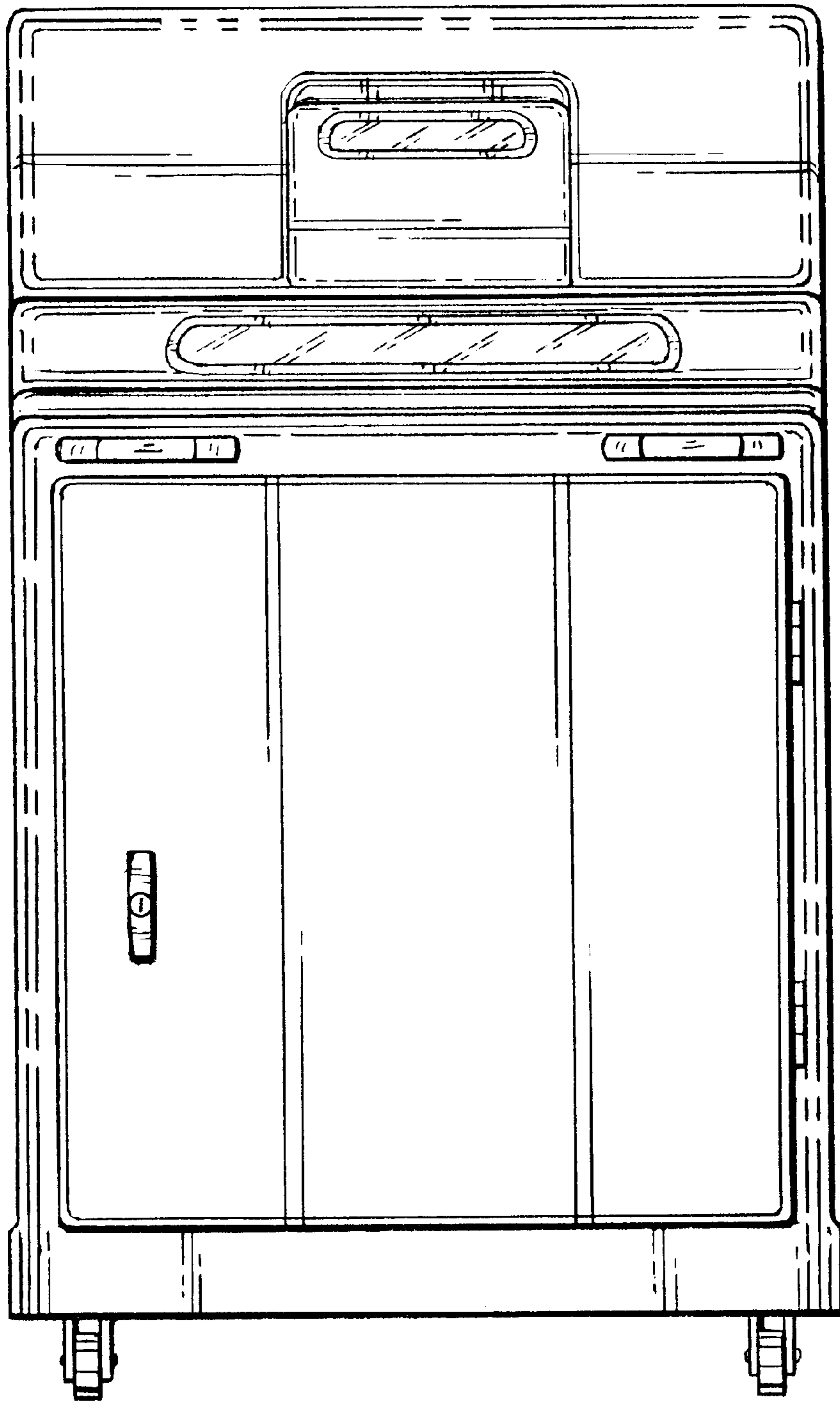


FIG. 2

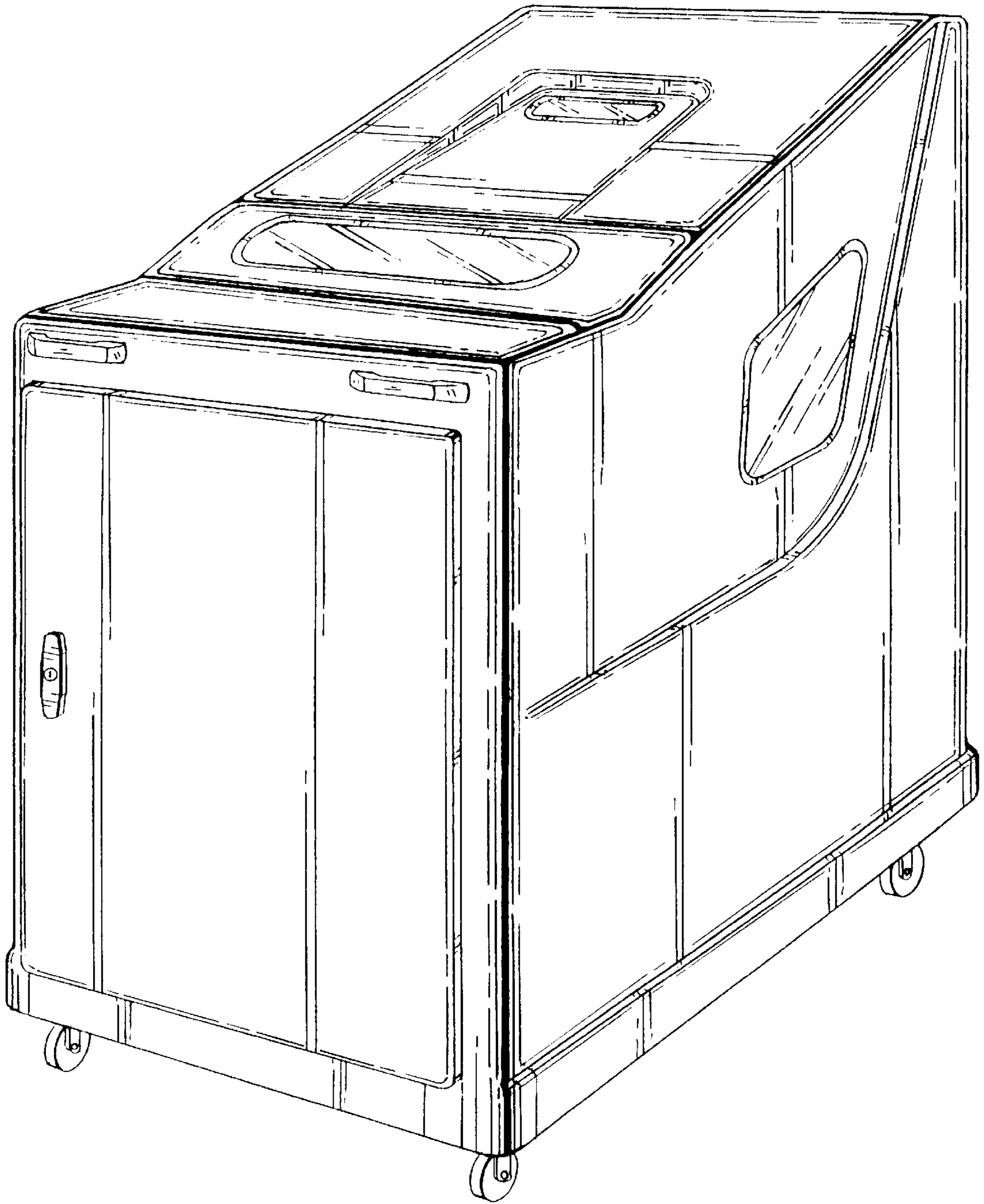


FIG.3

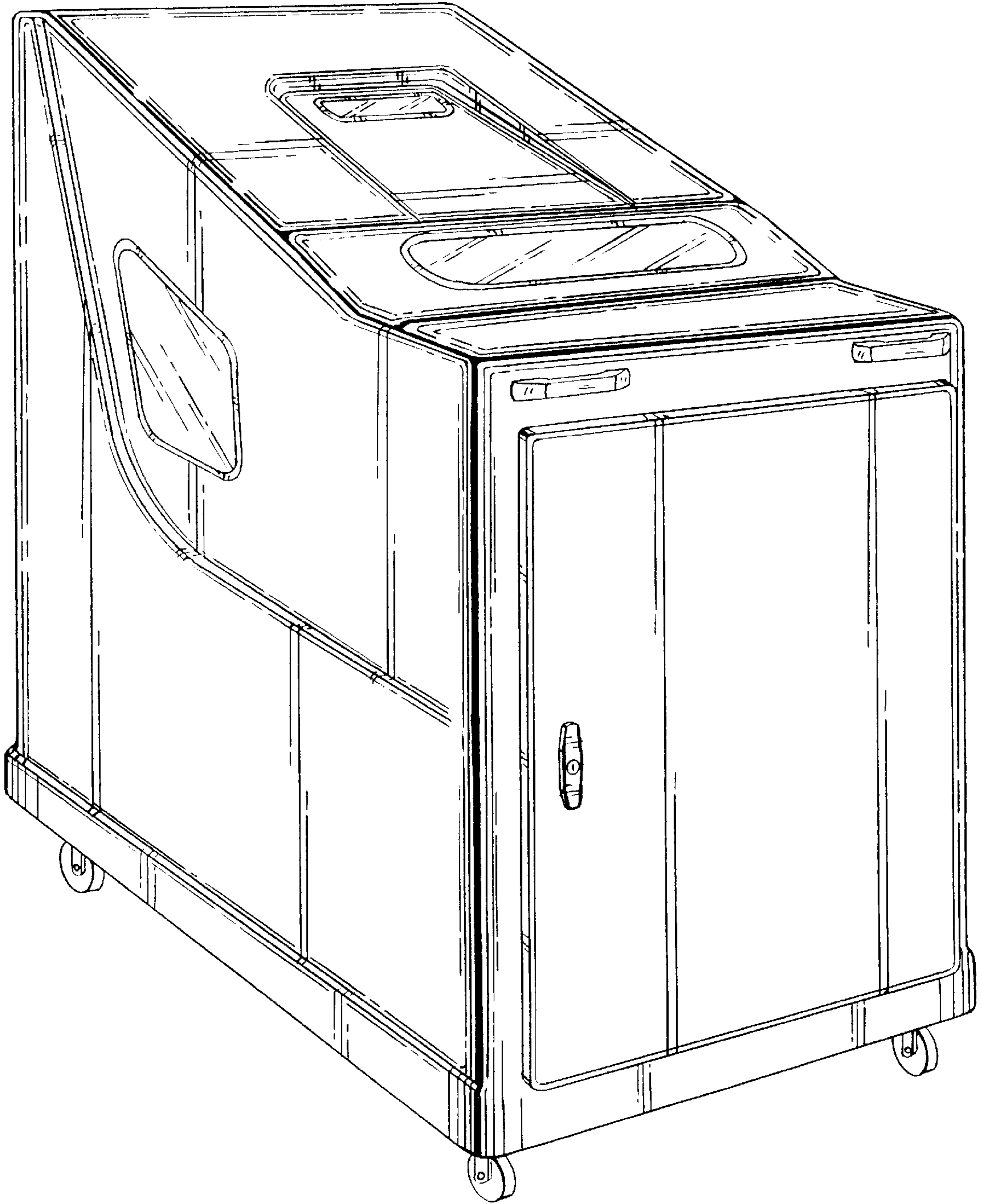


FIG. 4

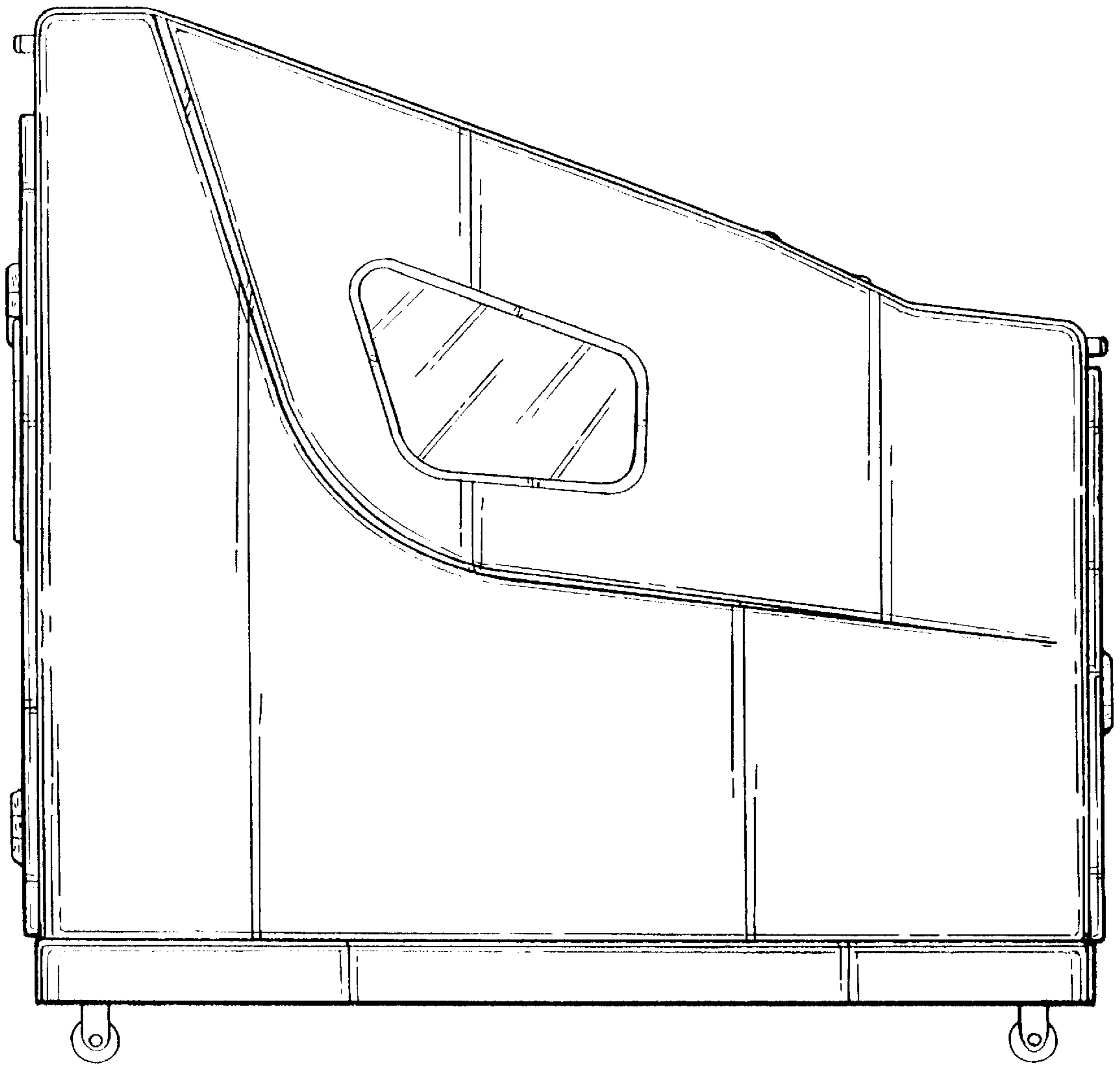


FIG. 5

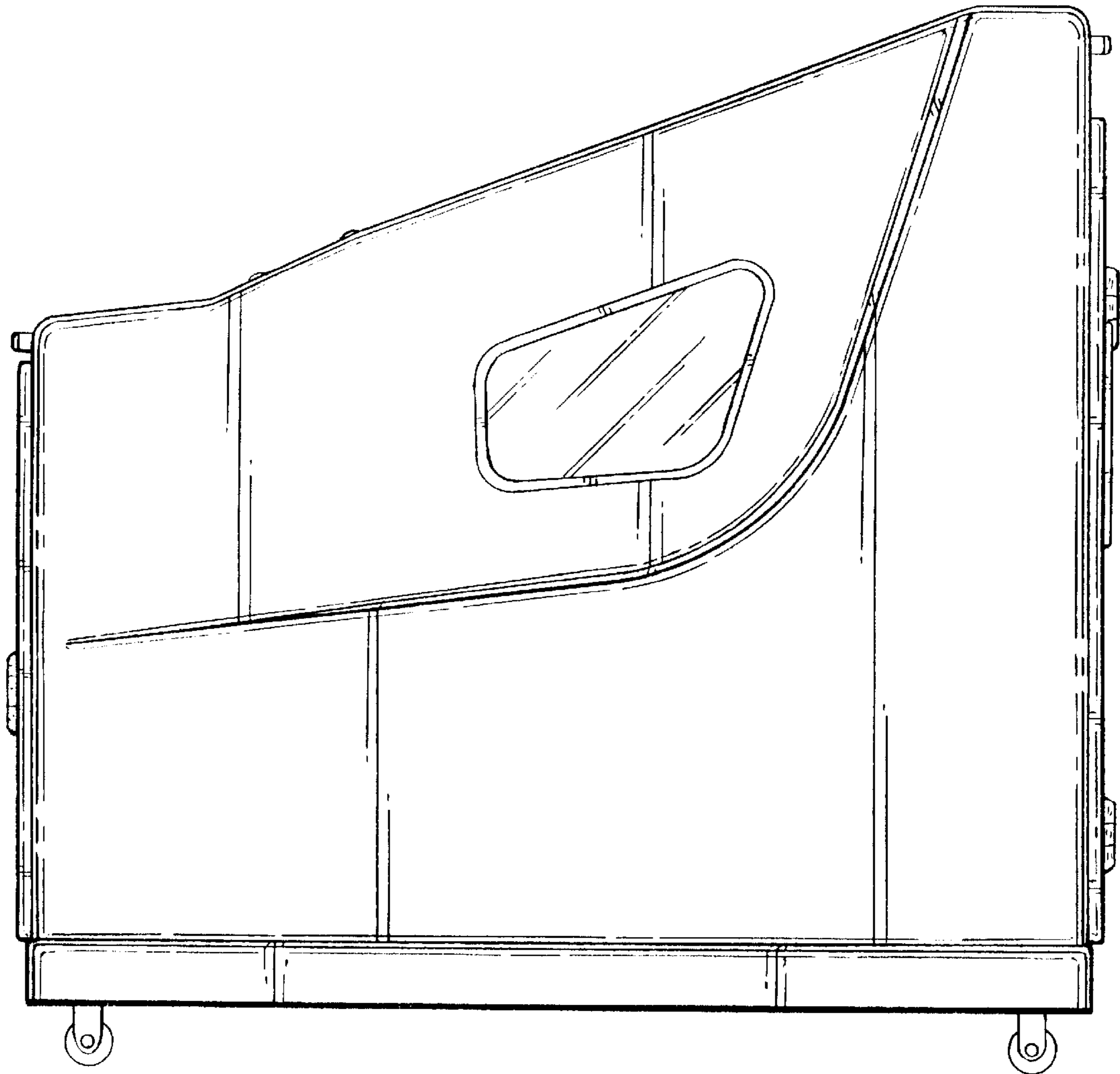


FIG. 6