



US00D424761S

United States Patent [19]

Mortenson

[11] Patent Number: Des. 424,761

[45] Date of Patent: ** May 9, 2000

[54] DOG LEASH

[76] Inventor: **Nina Mortenson**, Grinnerod Backa PI
14831, Ljungskile, Sweden

[**] Term: **14 Years**

[21] Appl. No.: **29/072,990**

[22] Filed: **Jun. 27, 1997**

[51] LOC (7) Cl. **30-09**

[52] U.S. Cl. **D30/152**

[58] Field of Search D30/151-154;
119/793, 821, 831, 856, 863, 864, 907;
54/24, 6.1, 6.2

[56] **References Cited**

U.S. PATENT DOCUMENTS

D. 293,139	12/1987	Roa	D30/152
D. 378,150	2/1997	DuBarry	D30/152
3,322,102	5/1967	Windle	182/3
3,948,222	4/1976	Longshore et al.	D30/152 X
4,676,198	6/1987	Murray	D30/152 X
5,184,762	2/1993	Nevitt	D30/152 X
5,359,964	11/1994	Sporn	D30/152 X

Primary Examiner—Eric Watterson
Attorney, Agent, or Firm—Dvorak & Orum

[57] **CLAIM**

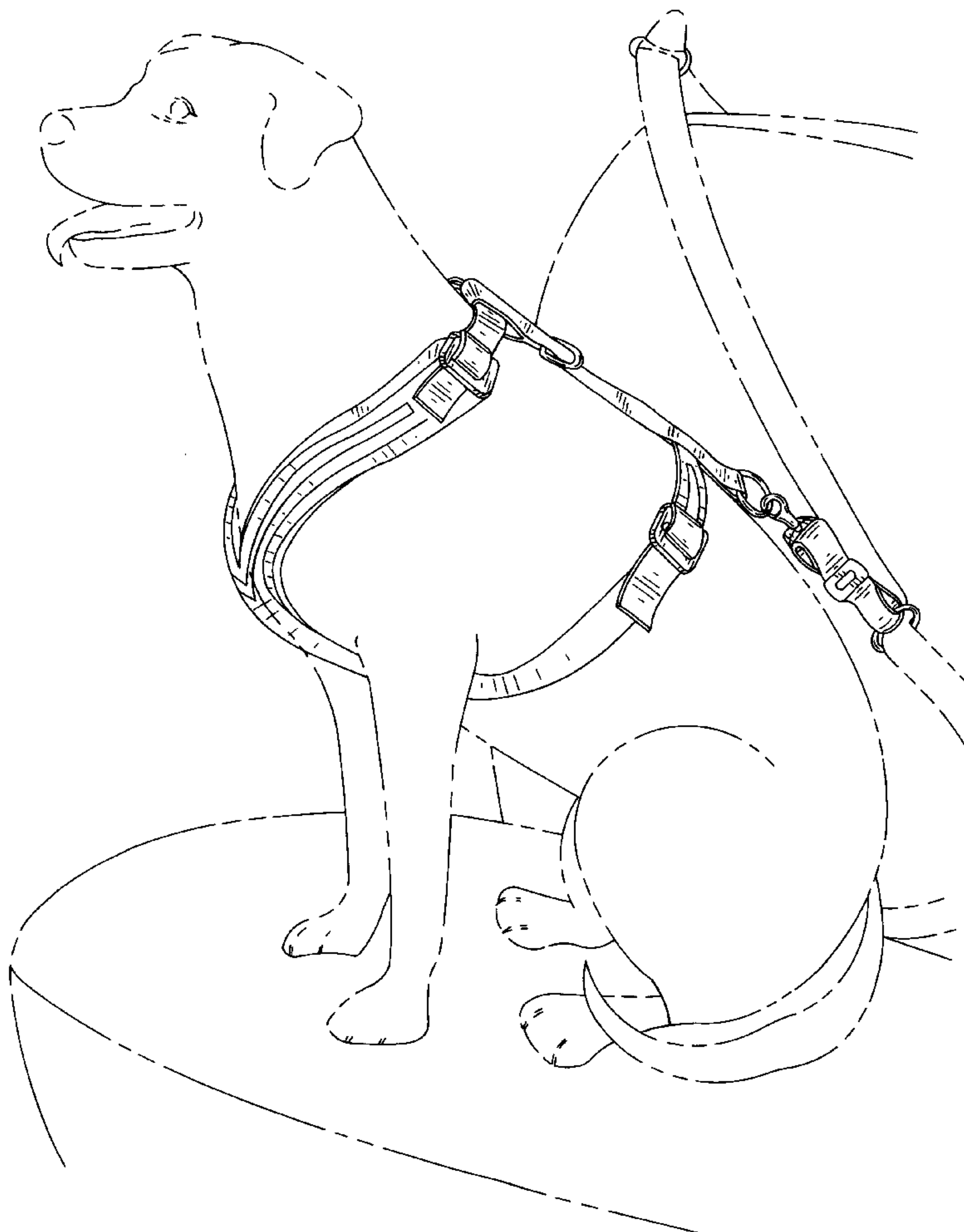
The ornamental design for a dog leash, as shown and described.

DESCRIPTION

FIG. 1 is a perspective view of the top of a dog leash showing my new design;
 FIG. 2 is a perspective view of the bottom of the dog leash showing my new design;
 FIG. 3 is an perspective view thereof, showing the claimed design in use;
 FIG. 4 is an exploded perspective view thereof;
 FIG. 5 is a top view thereof;
 FIG. 6 is a side view, the opposite side being a mirror image thereof;
 FIG. 7 is a bottom view thereof;
 FIG. 8 is a front view thereof; and,
 FIG. 9 is a rear view thereof.

The broken lines shown in FIG. 3 are for illustrative purposes only and form no part of the claimed design.

1 Claim, 6 Drawing Sheets



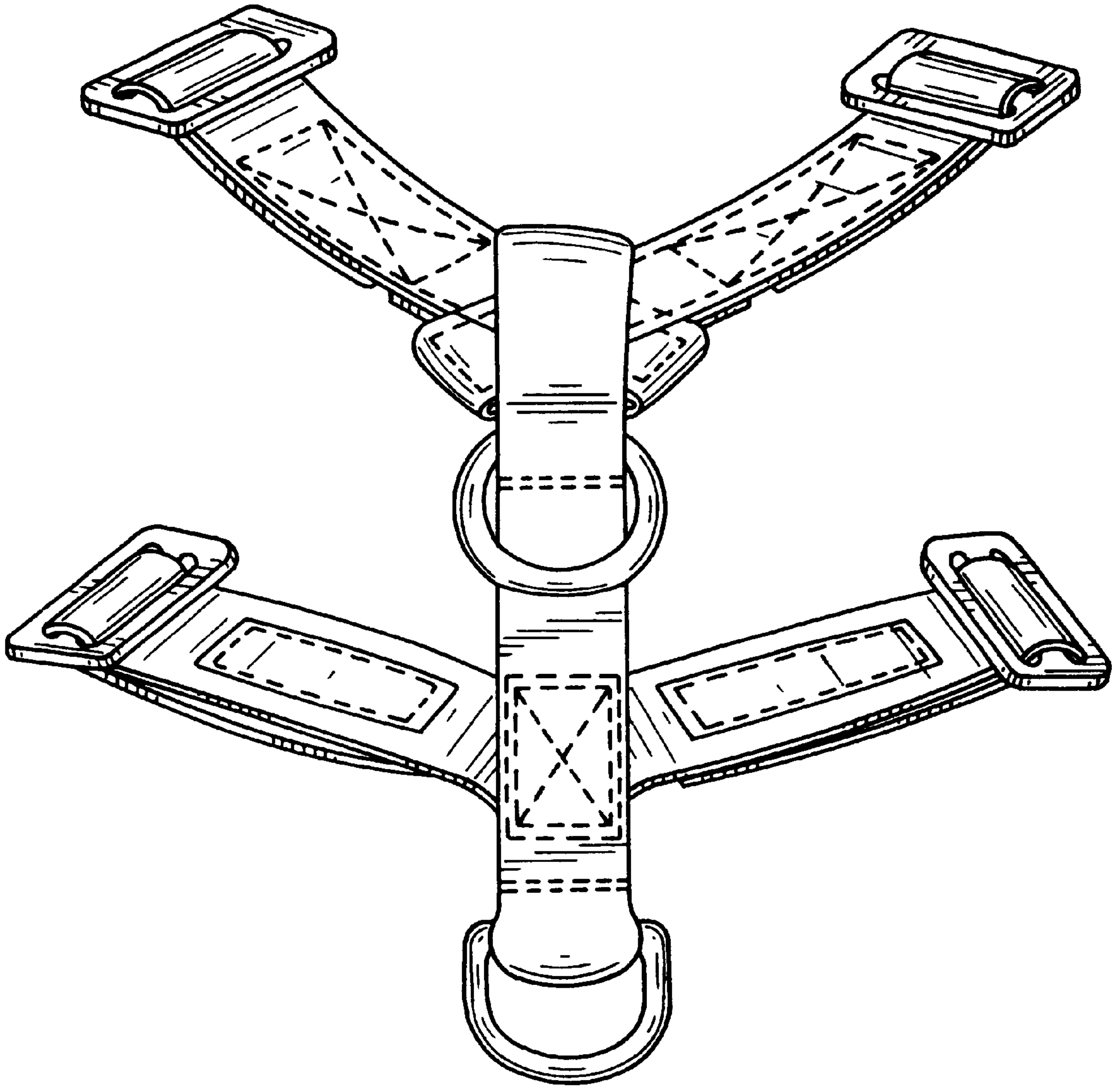


FIG. 1

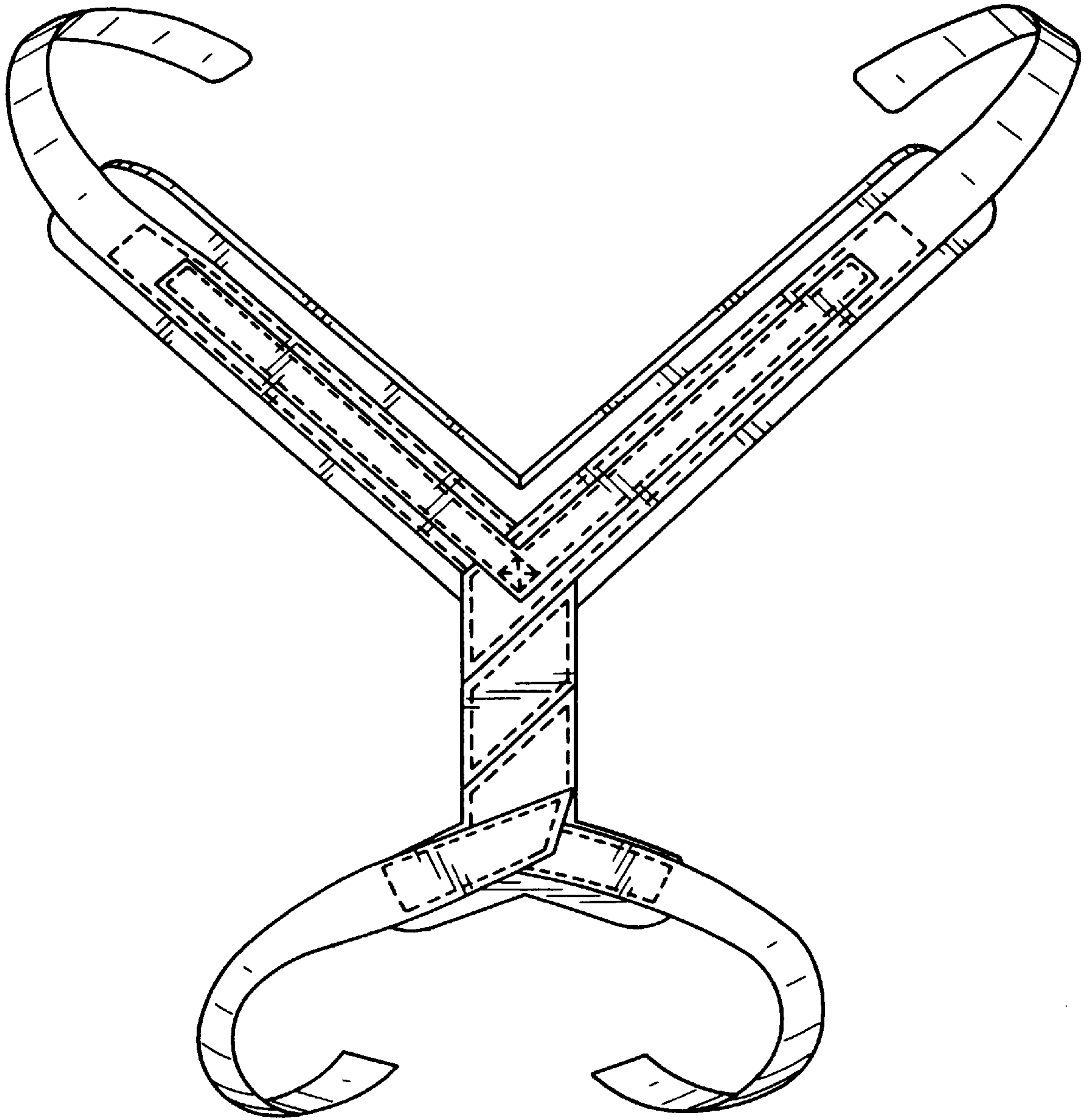


FIG. 2

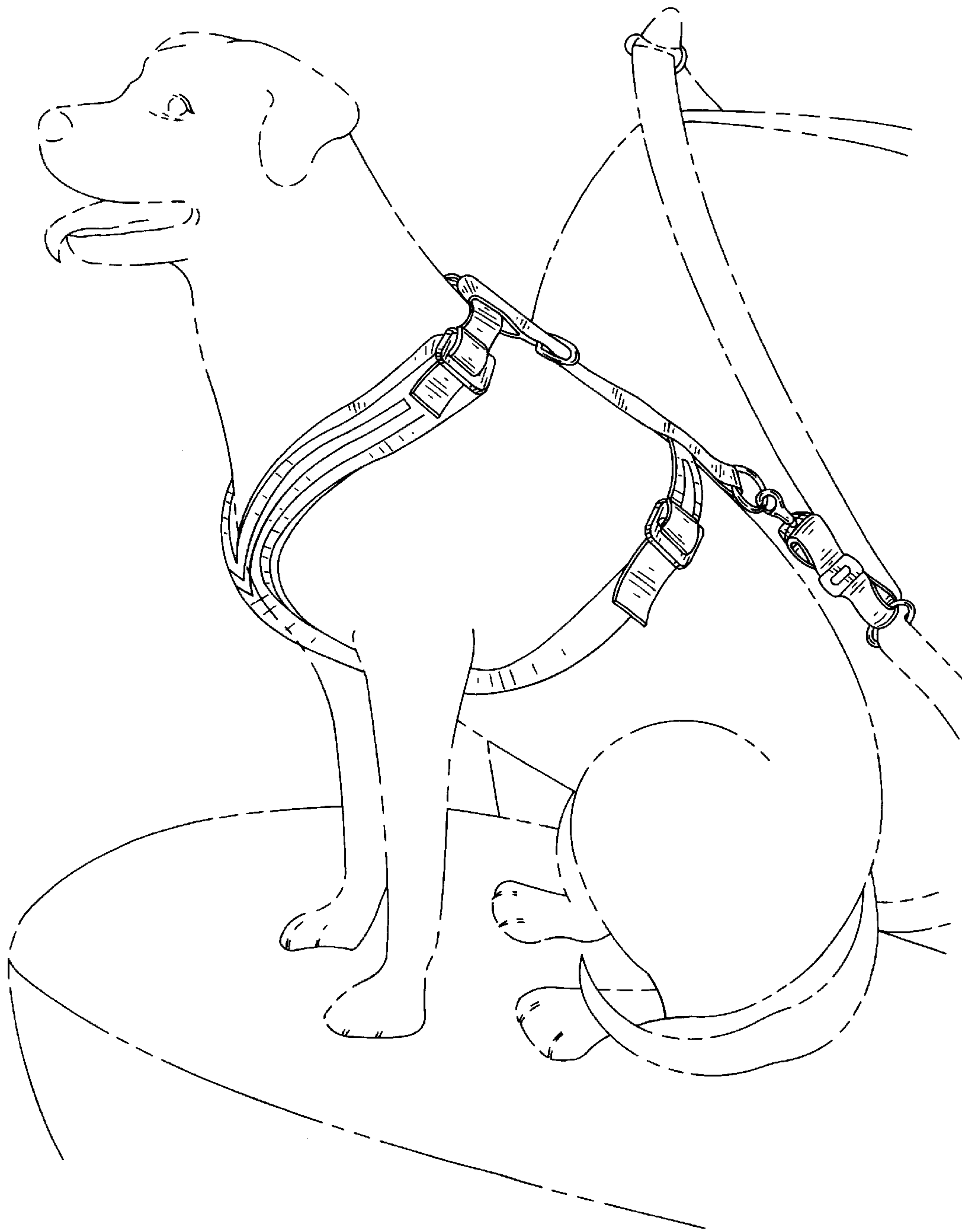


FIG. 3

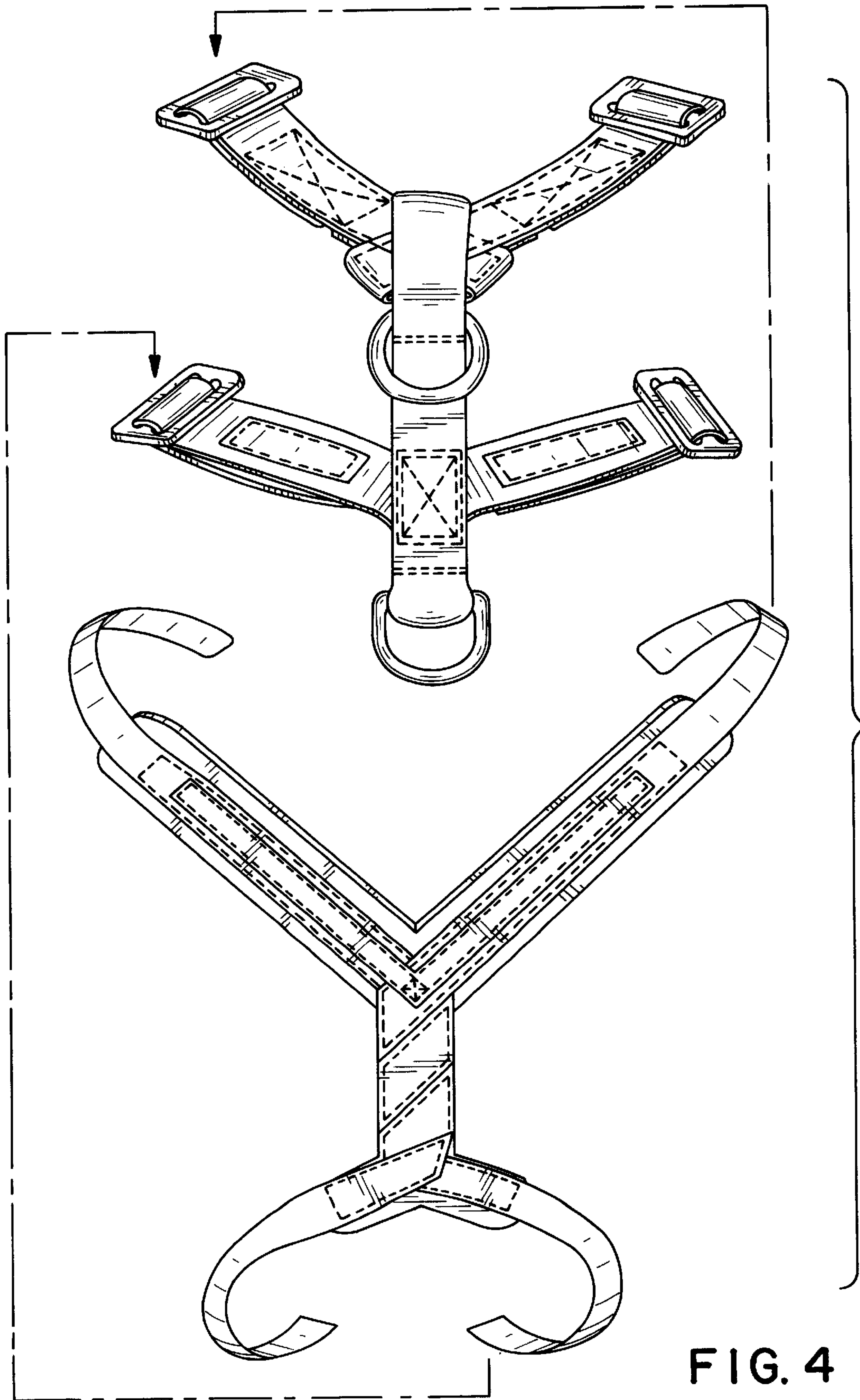


FIG. 4

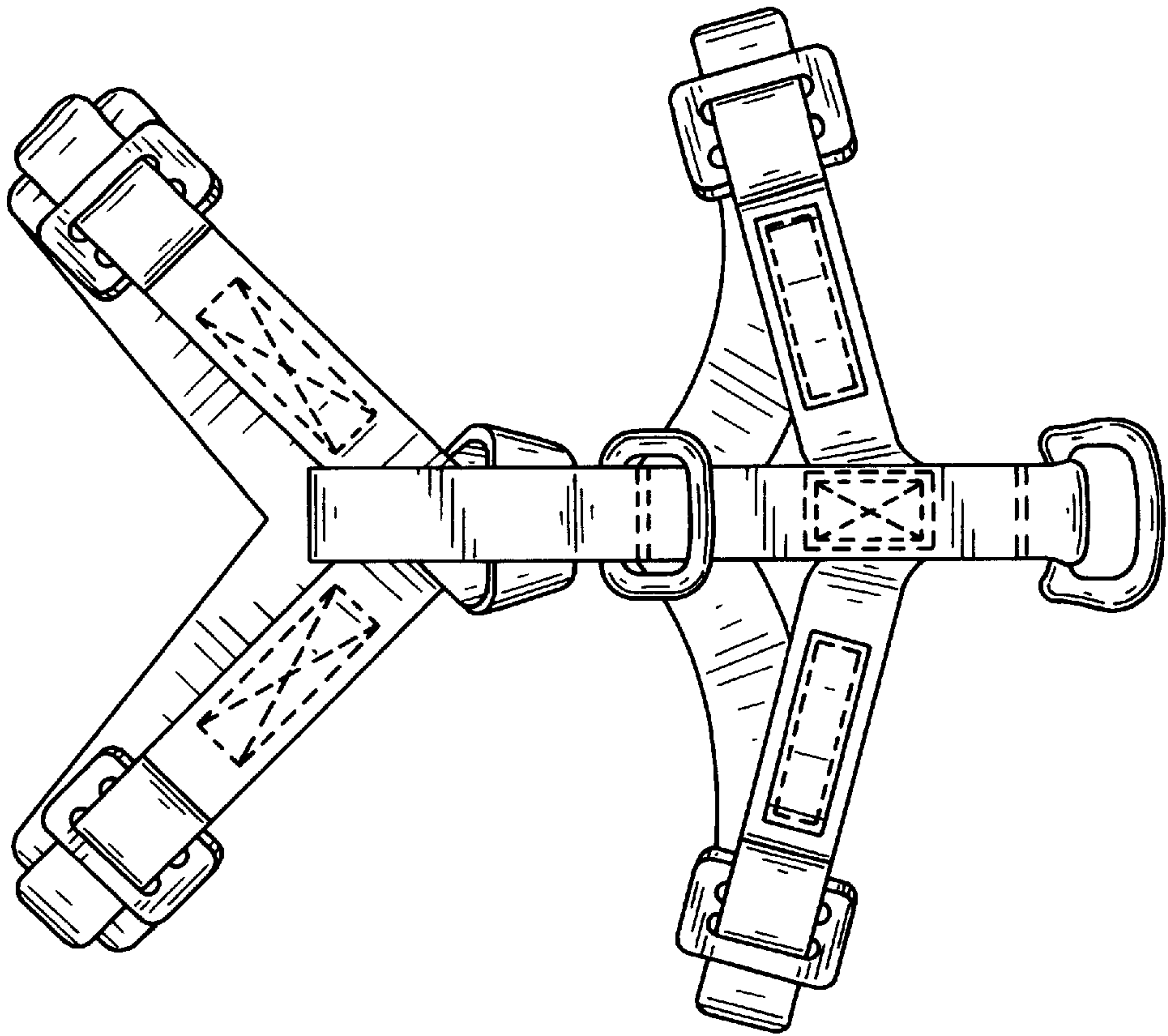


FIG. 5

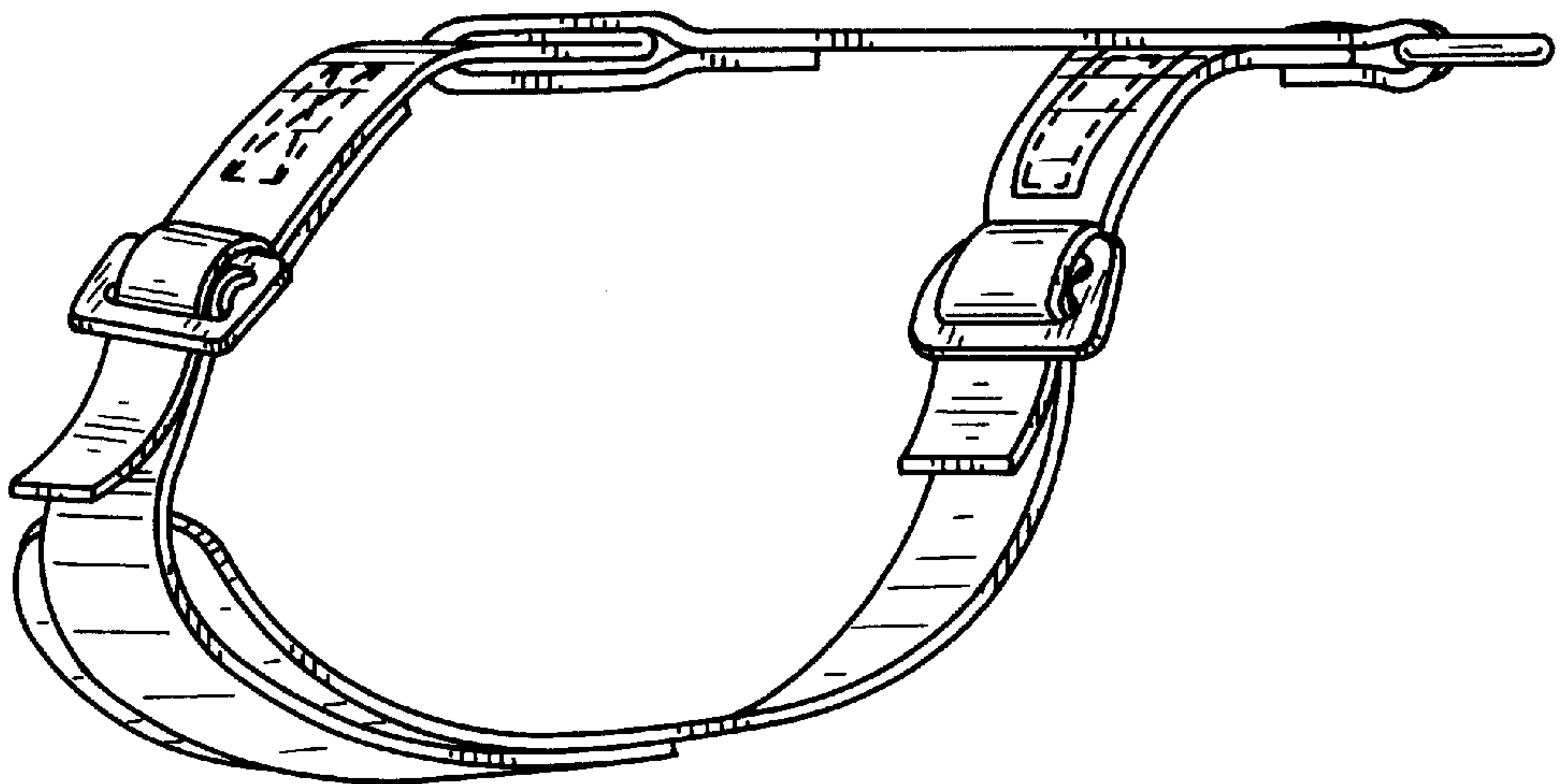
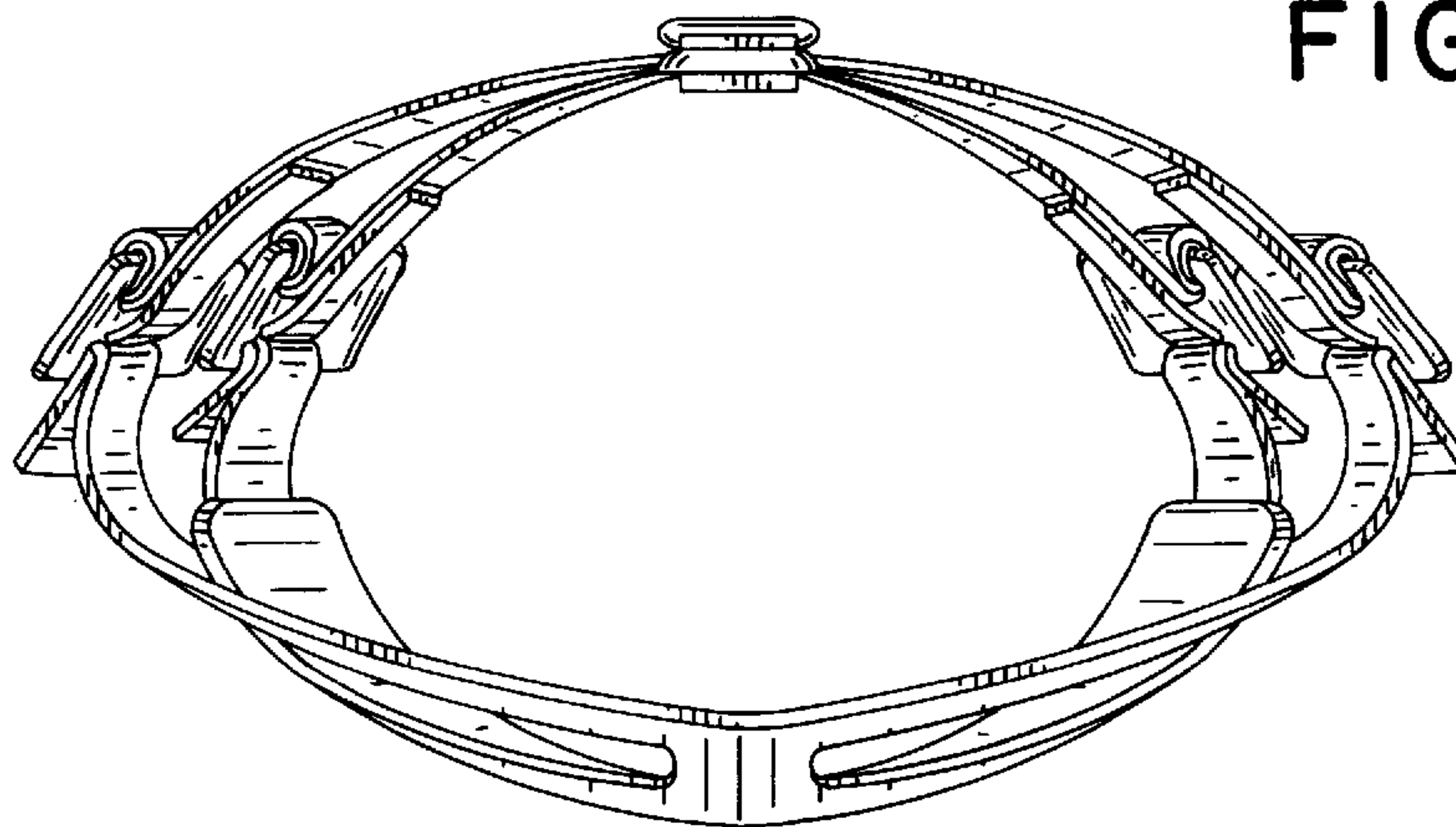
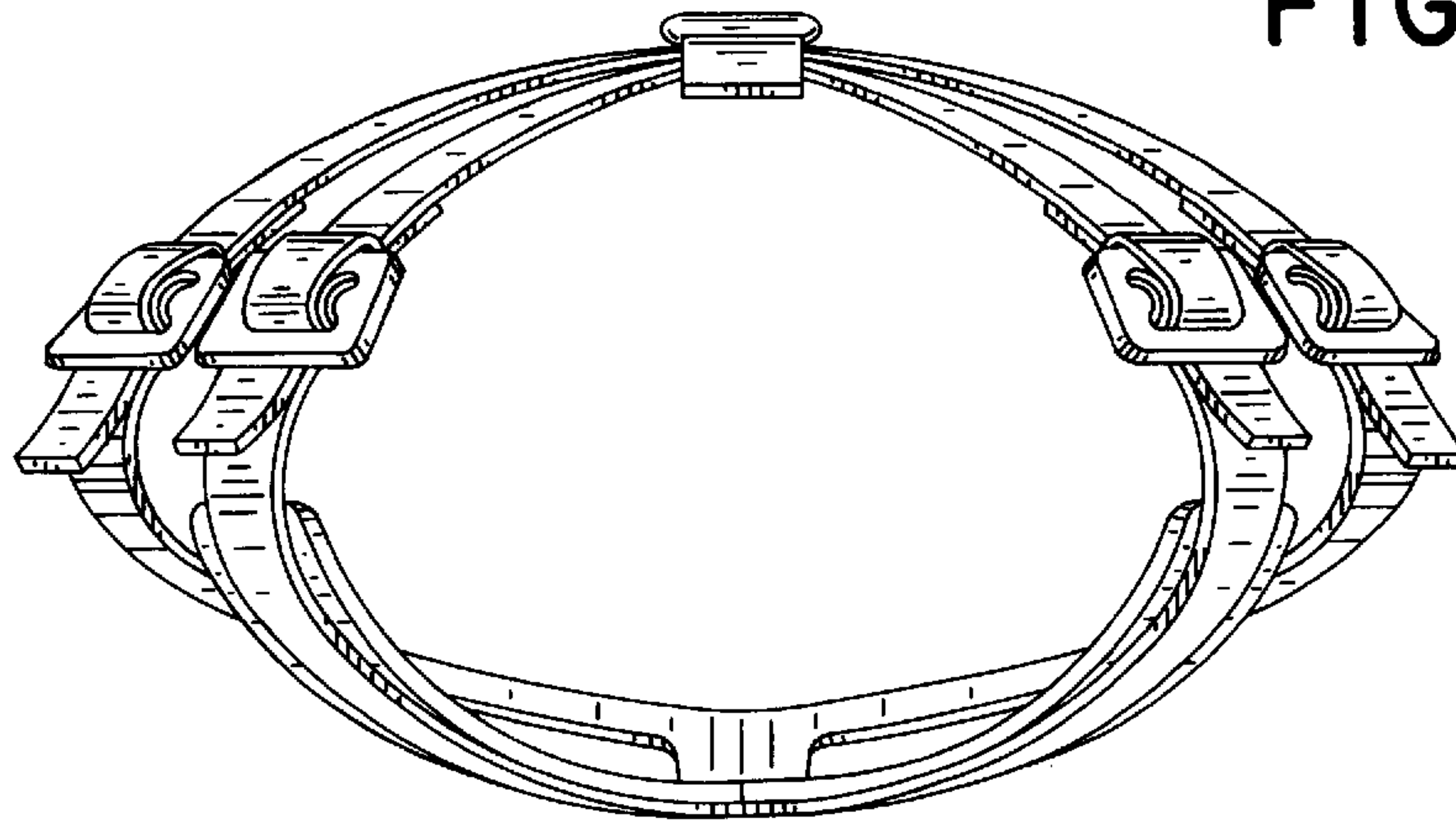
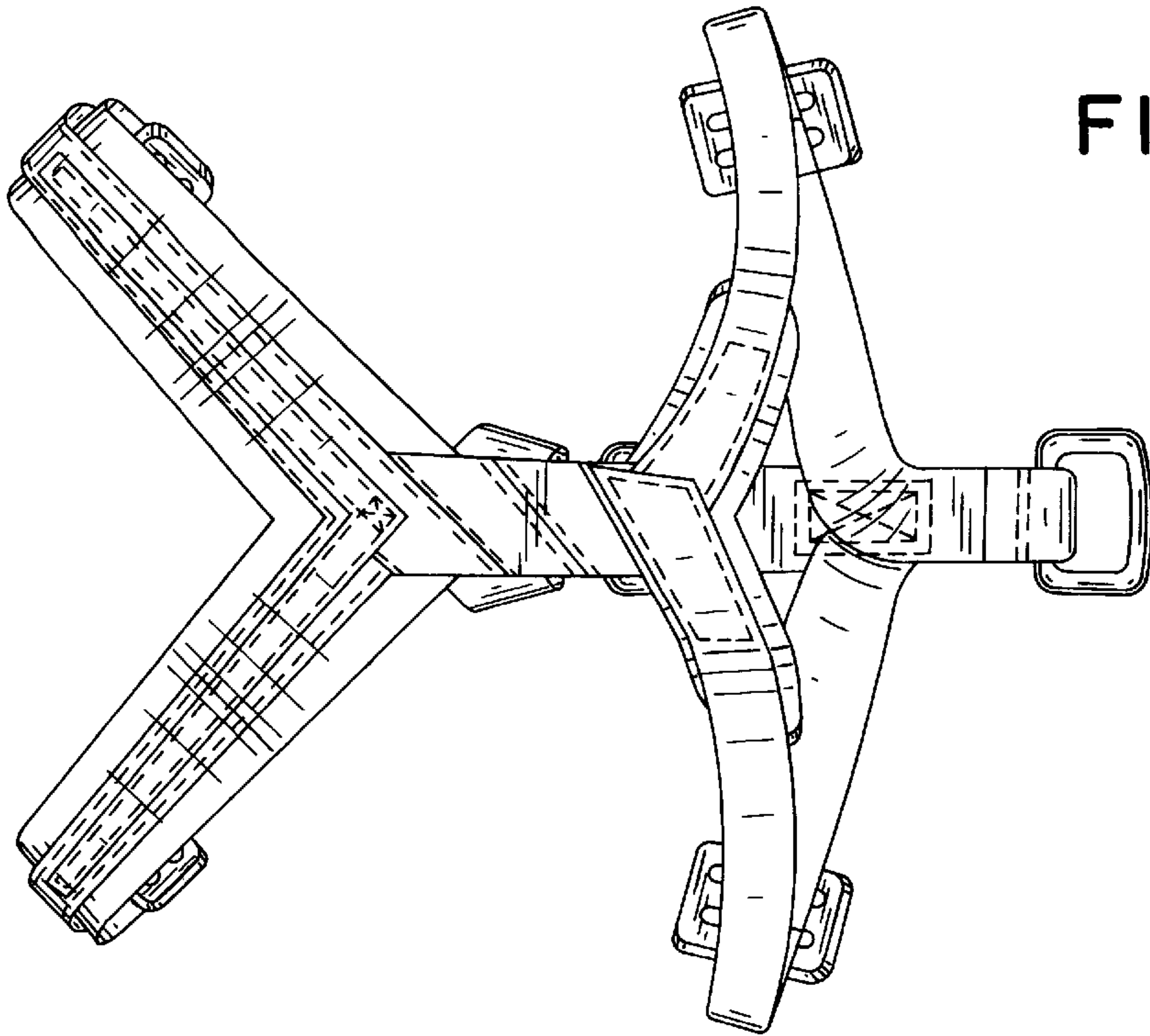


FIG. 6



UNITED STATES PATENT AND TRADEMARK OFFICE
CERTIFICATE OF CORRECTION

PATENT NO. : Des. 424,761
DATED : May 9, 2000
INVENTOR(S) : Mortensen, Nina

It is certified that error appears in the above-identified patent and that said Letters Patent is hereby corrected as shown below:

On the title page, Add: item [30] FOREIGN APPLICATION PRIORITY

December 30, 1996 [SE] Sweden ... 96-2742

Signed and Sealed this
Twentieth Day of March, 2001



NICHOLAS P. GODICI

Acting Director of the United States Patent and Trademark Office

Attest:

Attesting Officer