



US00D424759S

United States Patent [19] Sipka

[11] Patent Number: Des. 424,759

[45] Date of Patent: ** May 9, 2000

[54] DOG FEEDER

5,584,263 12/1996 Sexton .

[76] Inventor: Raymond M. Sipka, 10150
Owensmouth, Chatsworth, Calif. 91311

OTHER PUBLICATIONS

Sturbridge Yankee Workshop Catalog, Jul. 6, 1991.

[**] Term: 14 Years

Primary Examiner—Louis S. Zarfaz
Assistant Examiner—Catherine R Oliver
Attorney, Agent, or Firm—Richard C. Litman

[21] Appl. No.: 29/092,325

[22] Filed: Aug. 17, 1998

[57] CLAIM

[51] LOC (7) Cl. 30-03

The ornamental design for a dog feeder, as shown and described.

[52] U.S. Cl. D30/130

[58] Field of Search D30/121, 129,
D30/130, 133; 119/51.01, 61, 52.2, 52.3,
52.4, 57.9, 74, 77; D7/550.1, 551.1, 553.6;
D6/337

DESCRIPTION

[56] References Cited

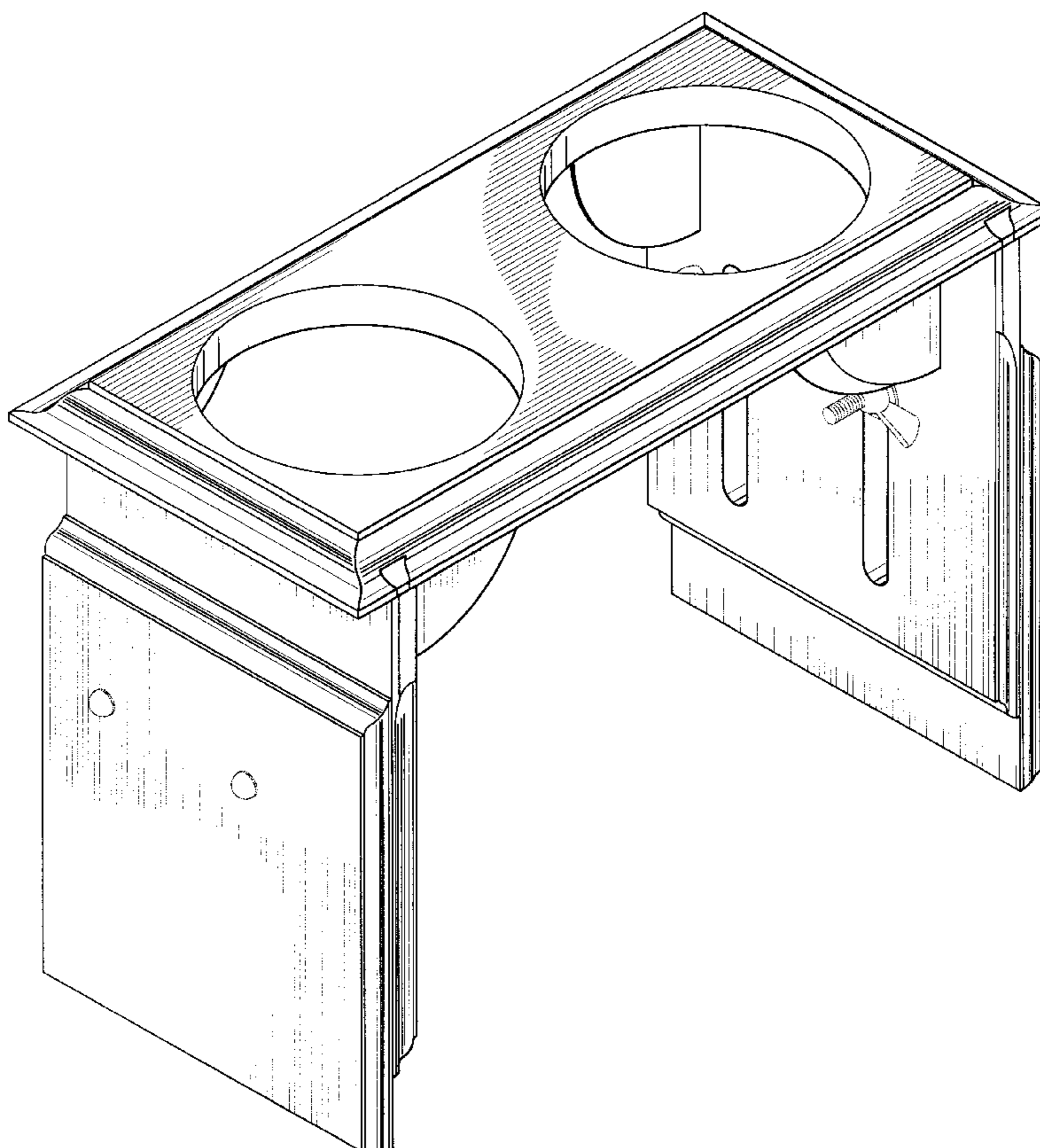
U.S. PATENT DOCUMENTS

D. 89,262	2/1933	Nunimaker .	
D. 258,018	1/1981	Venditto et al. .	
D. 340,552	10/1993	Smith .	
D. 358,158	5/1995	Bush	D30/130 X
D. 374,517	10/1996	Morrill	D30/133
D. 375,818	11/1996	Fischer	D30/130
D. 377,244	1/1997	Steinnger .	
D. 412,377	7/1999	Sharon	D30/130
D. 414,303	9/1999	Sharon	D30/130
3,651,787	3/1972	Cooper .	
4,976,223	12/1990	Pierce .	
5,054,431	10/1991	Coviello .	

FIG. 1 is a top plan view of a dog feeder showing my new design;
FIG. 2 is a bottom plan view thereof;
FIG. 3 is a right side elevational view thereof;
FIG. 4 is a left side elevational view thereof;
FIG. 5 is a front elevational view with the rear elevational view being a mirror image thereof; and,
FIG. 6 is a perspective view thereof.

The broken line showing of the wing nut and the bolt in FIGS. 2, 3, 4, and 6 is for illustrative purposes only, merely showing the types of attachments which can be used, and forms no part of the claimed design. The broken line showing of the bowls in FIGS. 3 and 4 is for illustrative purposes only and forms no part of the claimed design.

1 Claim, 6 Drawing Sheets



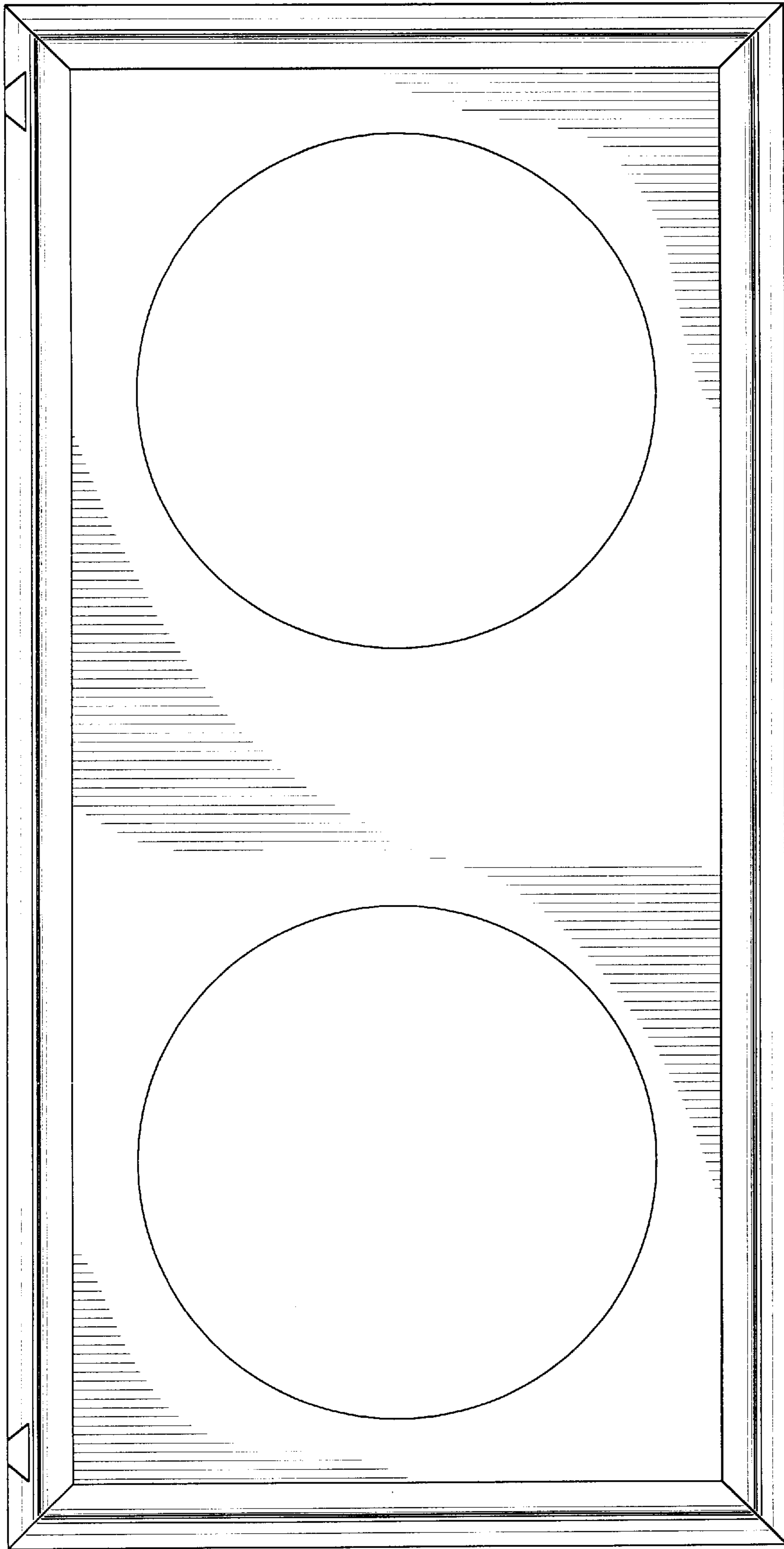


Fig. 1

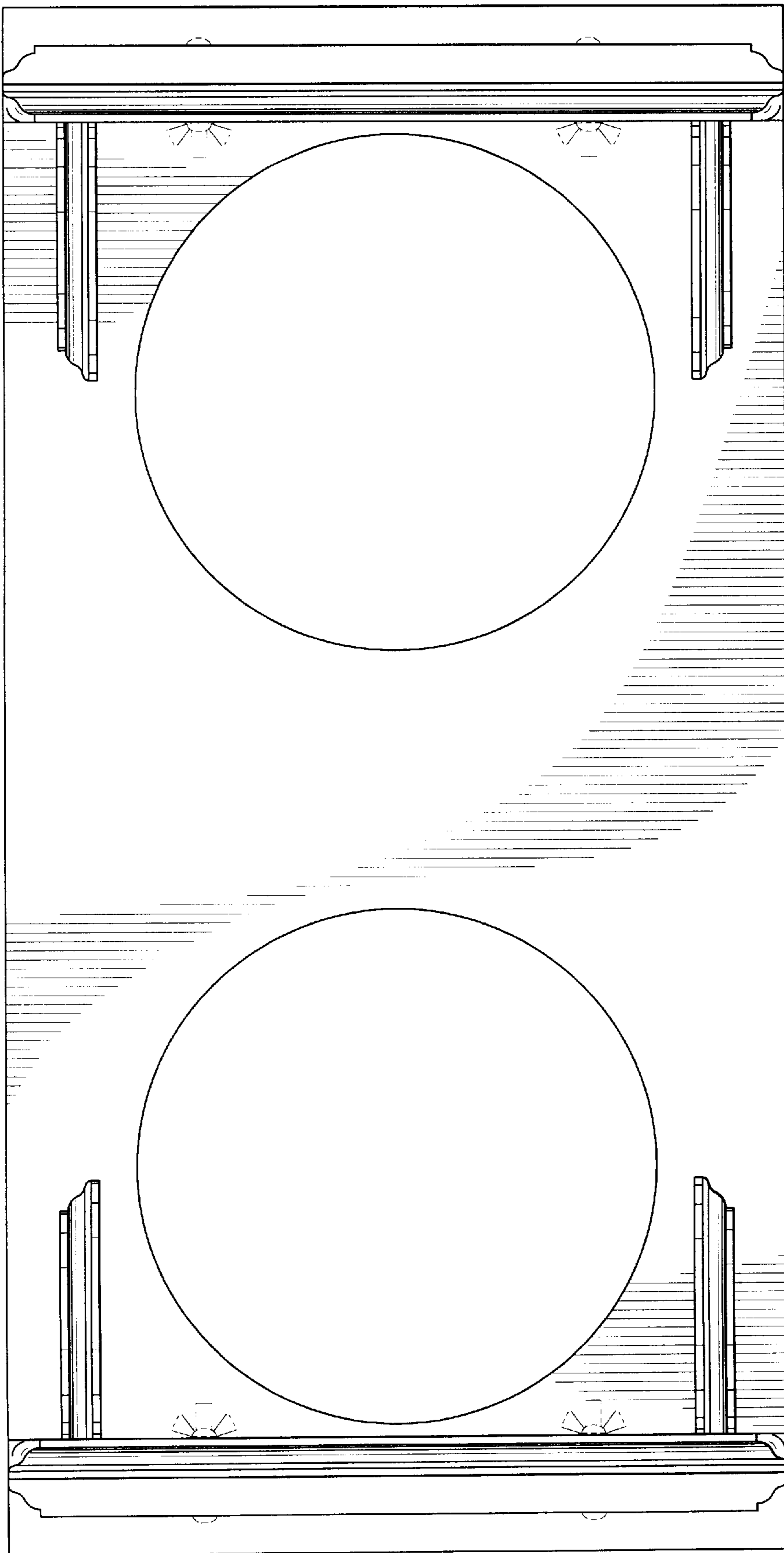


Fig. 2

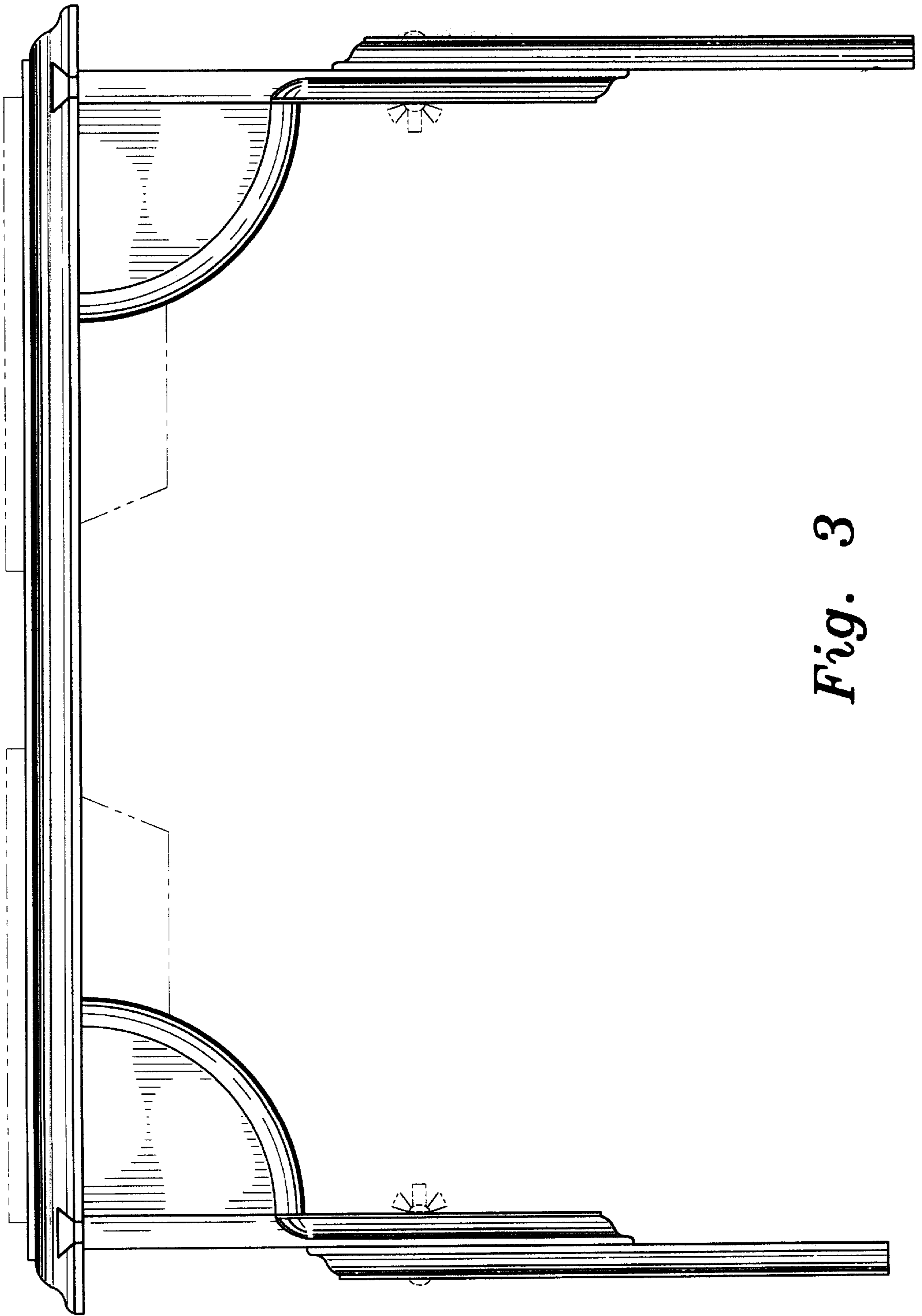


Fig. 3

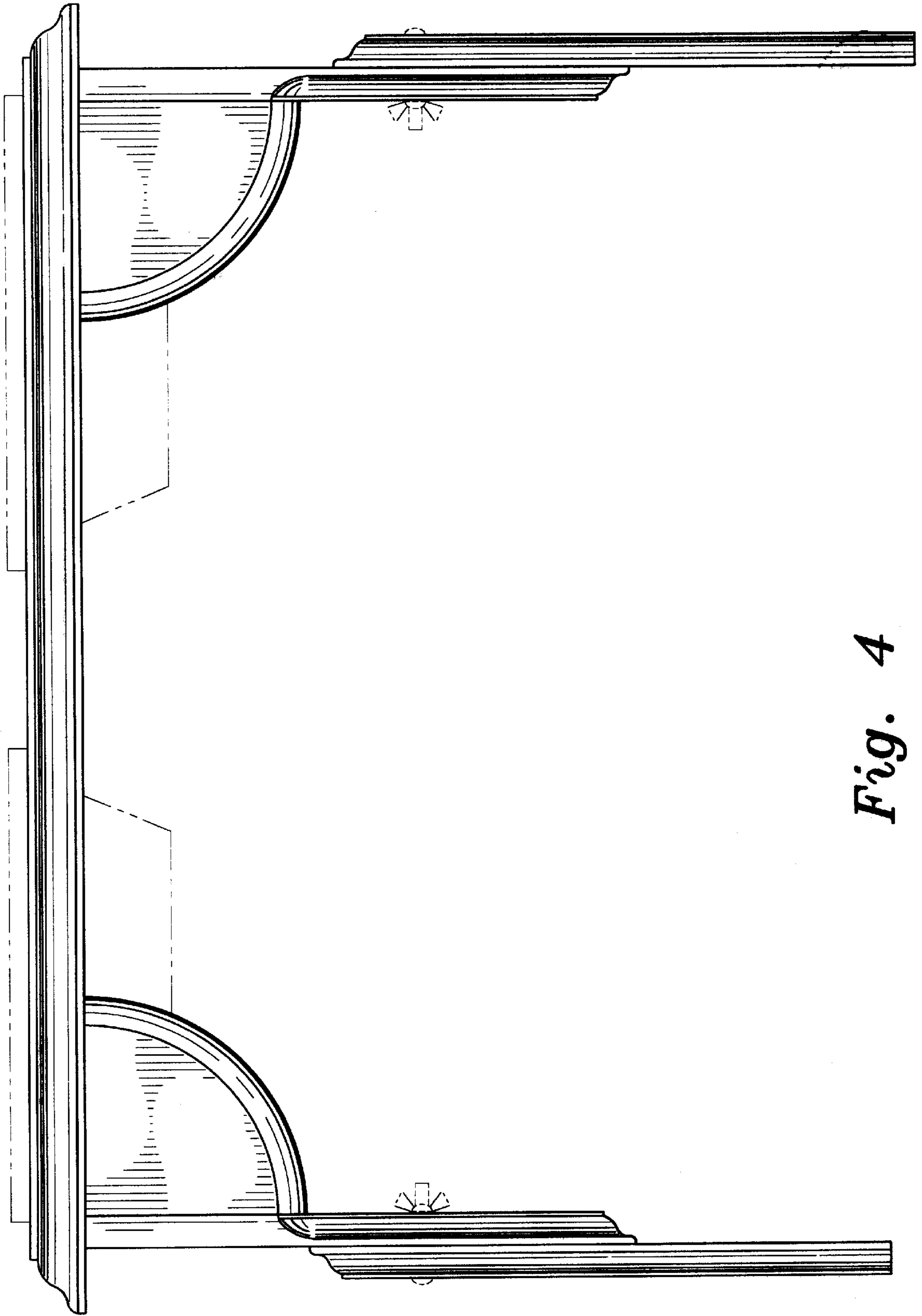


Fig. 4

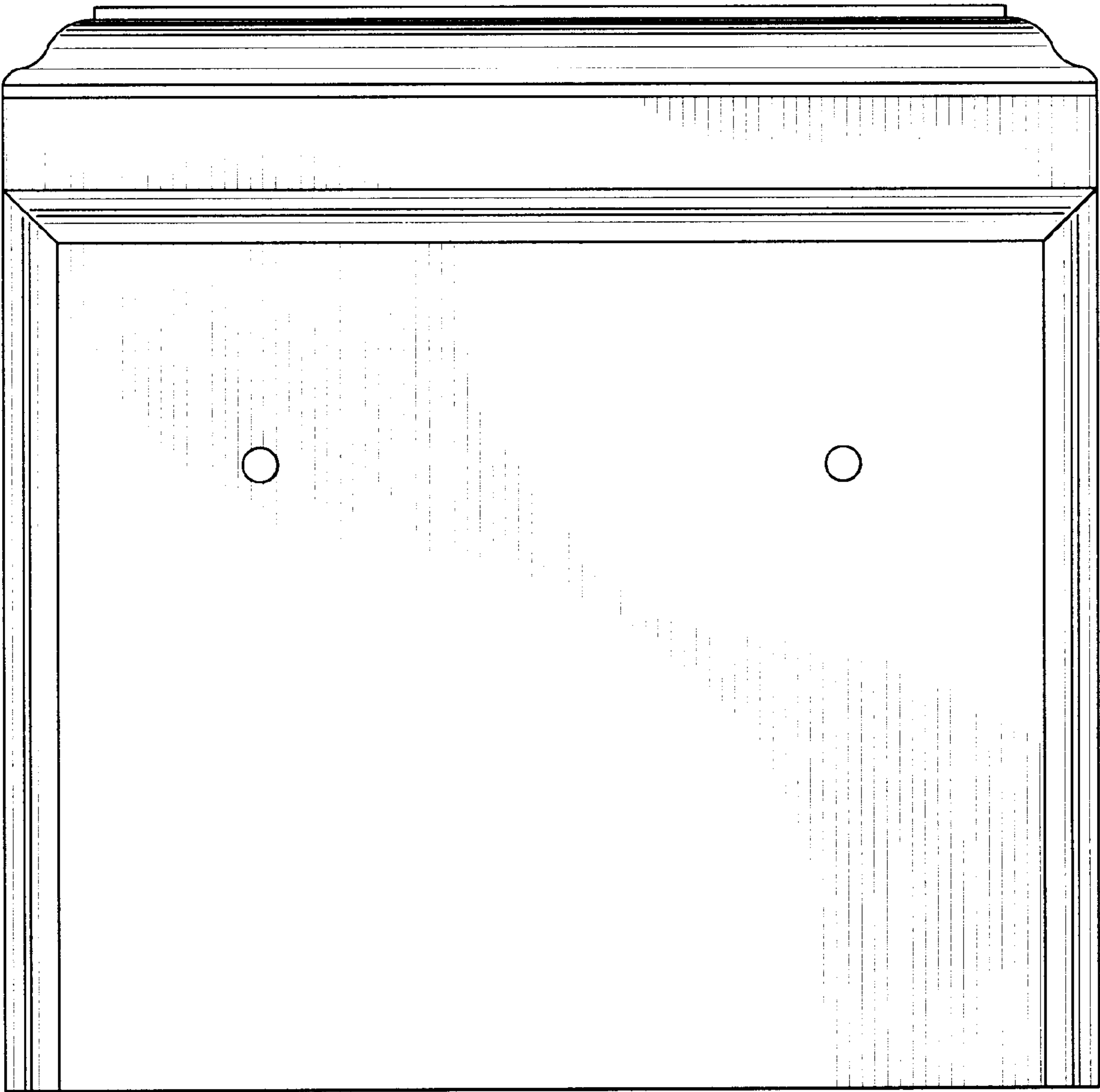


Fig. 5

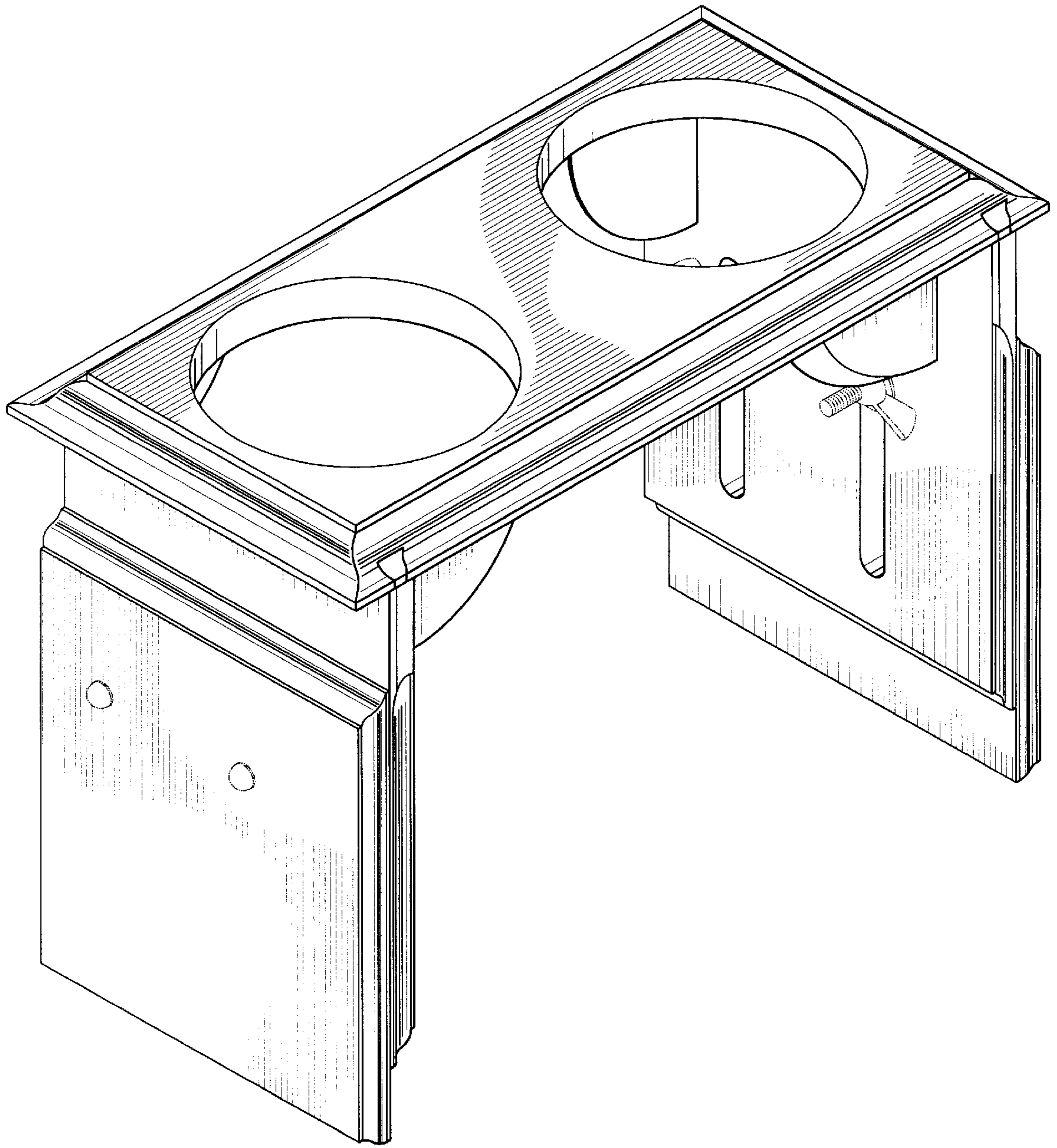


Fig. 6