



US00D424757S

United States Patent [19]

Cooper et al.

[11] **Patent Number: Des. 424,757**

[45] **Date of Patent: ** May 9, 2000**

[54] **FEEDING DISH**

[75] Inventors: **Michelle Cooper; Michael Craig Highley**, both of Batley, United Kingdom

[73] Assignee: **Mars U.K. Limited**, Berkshire, United Kingdom

[**] Term: **14 Years**

[21] Appl. No.: **29/095,177**

[22] Filed: **Oct. 19, 1998**

[30] Foreign Application Priority Data

Jul. 20, 1998 [GB] United Kingdom 2076216

[51] **LOC (7) Cl.** **30-03**

[52] **U.S. Cl.** **D30/129**

[58] **Field of Search** D30/121-133;
119/51.5, 61, 51.12, 52.1, 72, 74, 77; D7/550.1,
551.1, 553.6, 566, 584, 543; D27/113-116

[56] References Cited

U.S. PATENT DOCUMENTS

D. 32,025 12/1899 Strugnell D7/566

D. 352,368 11/1994 Gryzlak D30/123
D. 401,455 11/1998 Ritchey D7/543
D. 408,686 4/1999 Lillelund et al. D7/543
D. 412,605 8/1999 Sharon D30/129

Primary Examiner—Louis S. Zarfes
Assistant Examiner—Catherine R. Oliver
Attorney, Agent, or Firm—Fitzpatrick, Cella, Harper & Scinto

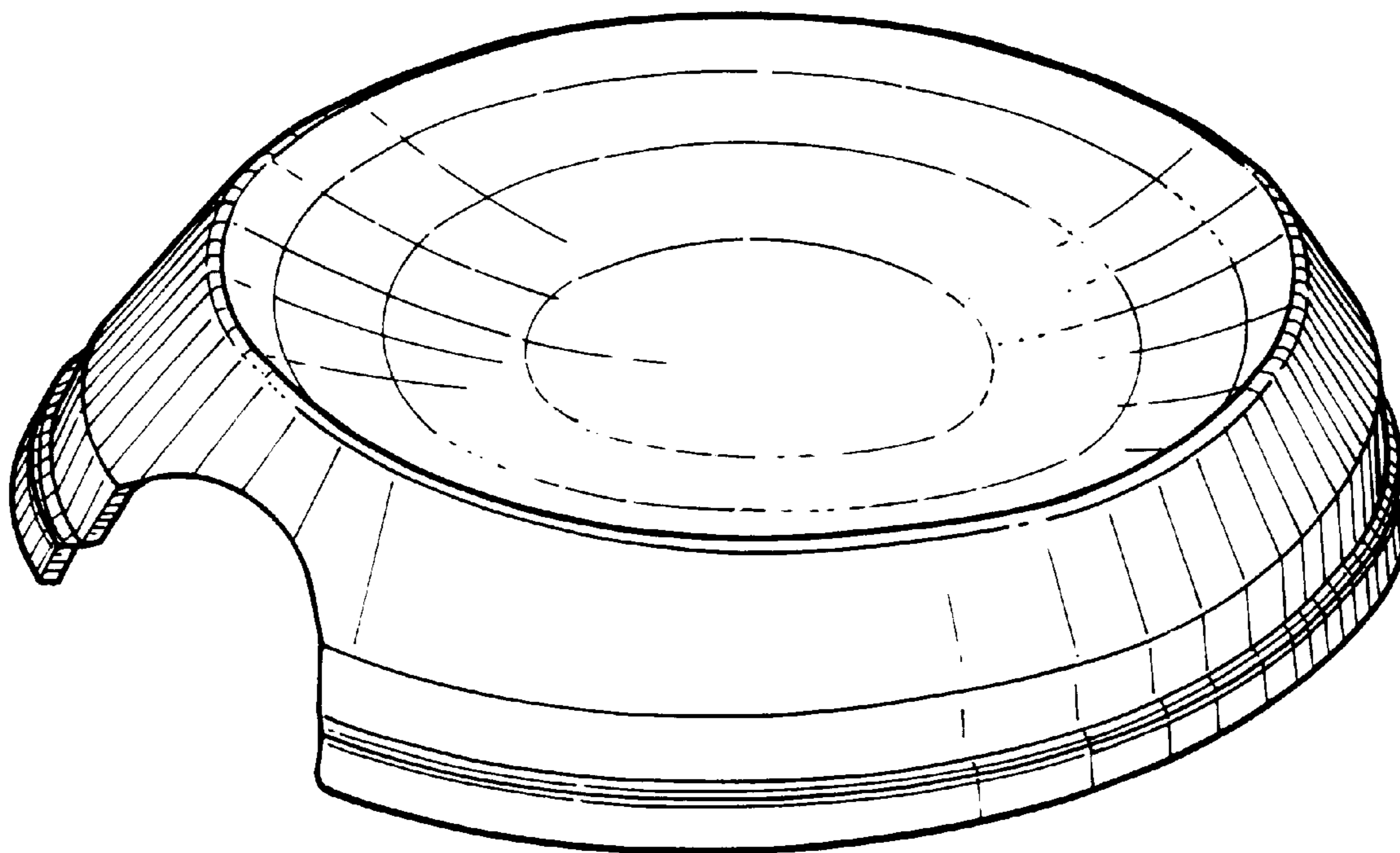
[57] CLAIM

The ornamental design for a feeding dish, as shown and described.

DESCRIPTION

FIG. 1 is a perspective view of the feeding dish showing our new design;
FIG. 2 is a top plan view thereof;
FIG. 3 is a bottom plan view thereof;
FIG. 4 is a side elevational view, the opposite side being a mirror image thereof;
FIG. 5 is a front elevational view, the rear elevational view being a mirror image thereof;
FIG. 6 is a sectional view taken along line 6—6 of FIG. 2; and,
FIG. 7 is a sectional view taken along line 7—7 of FIG. 2.

1 Claim, 3 Drawing Sheets



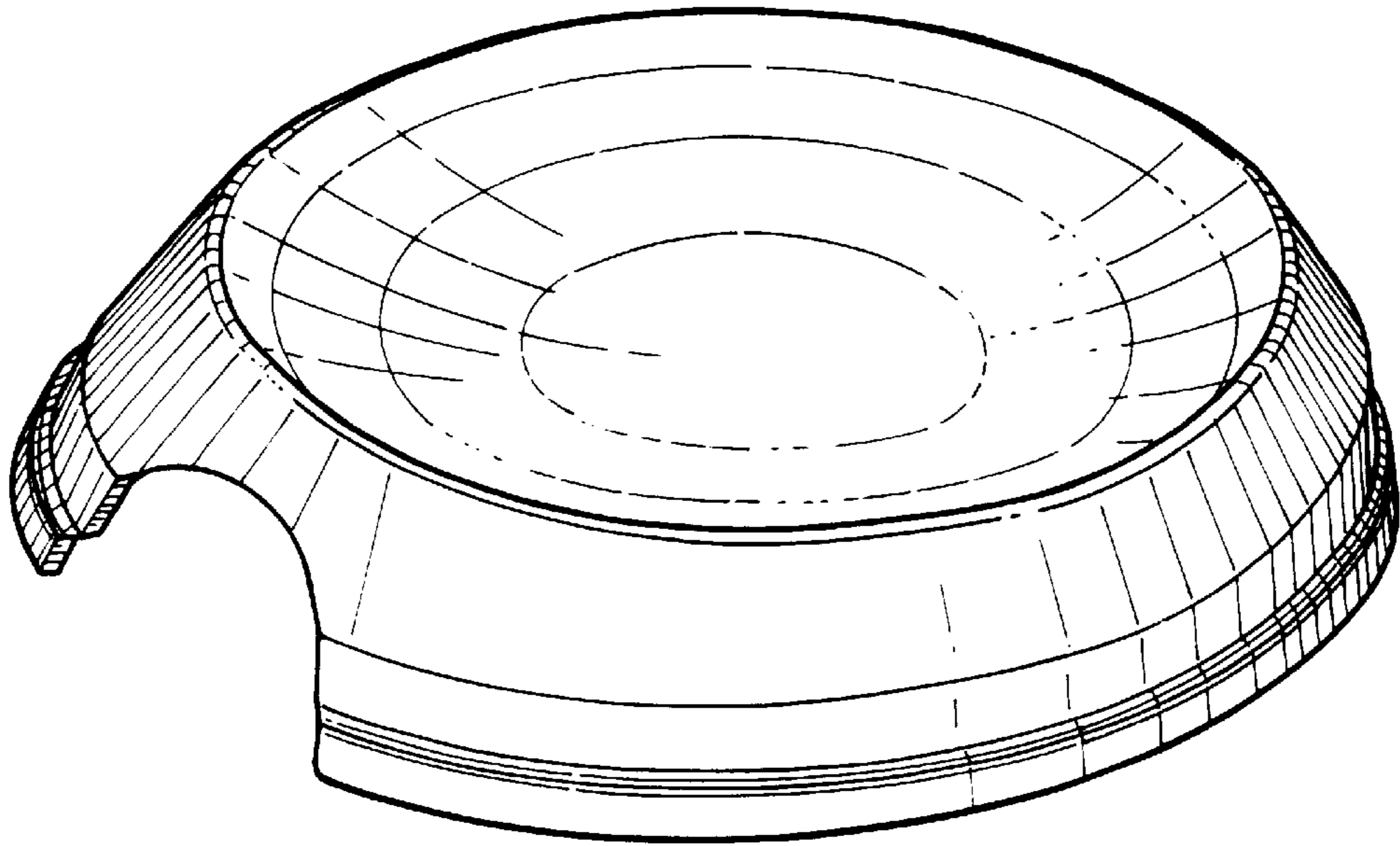


FIG. 1

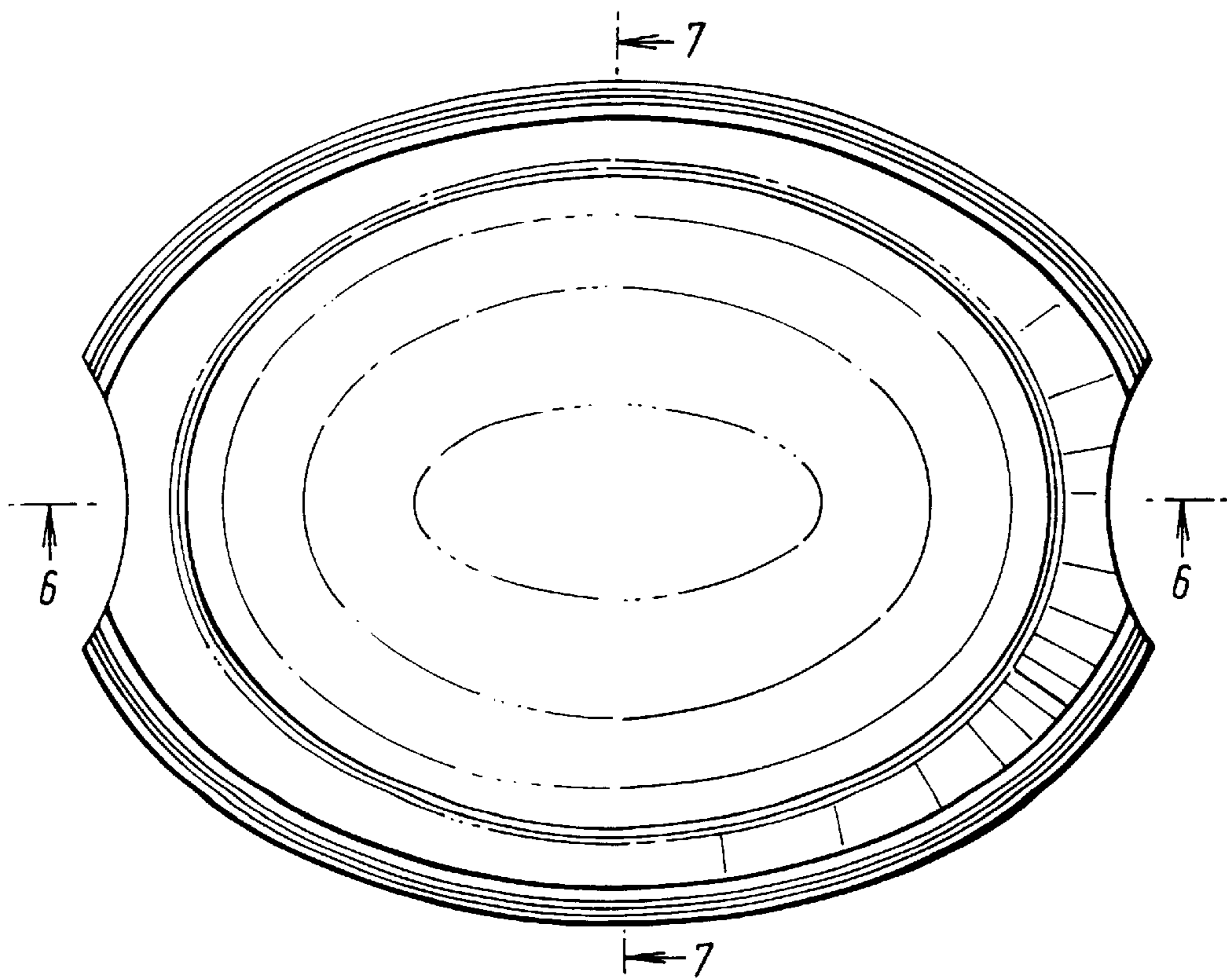


FIG. 2

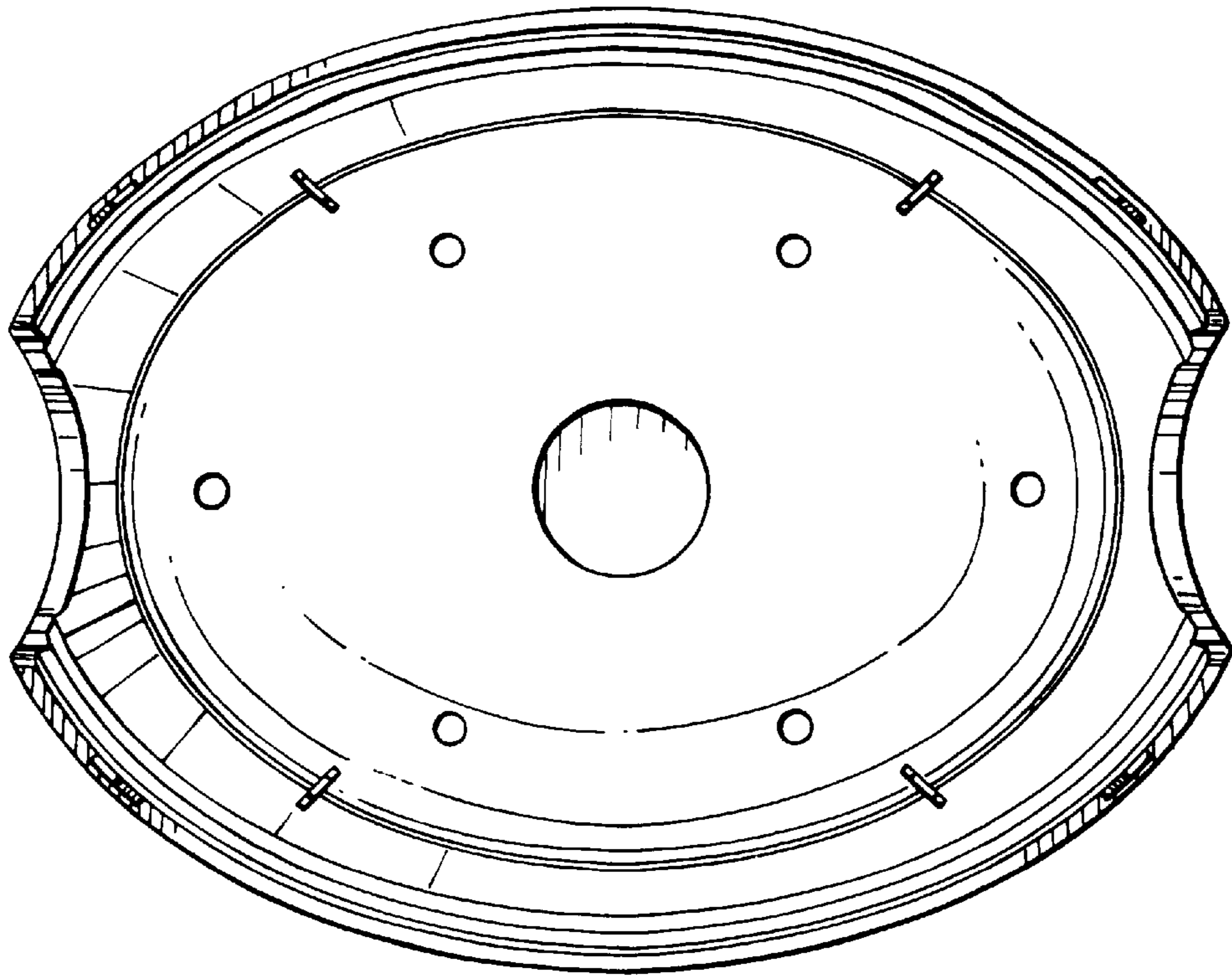


FIG. 3

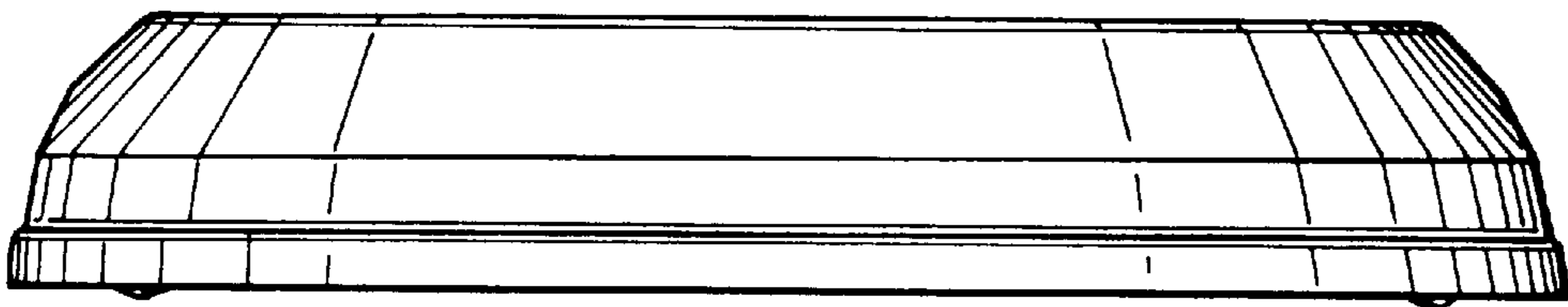


FIG. 4

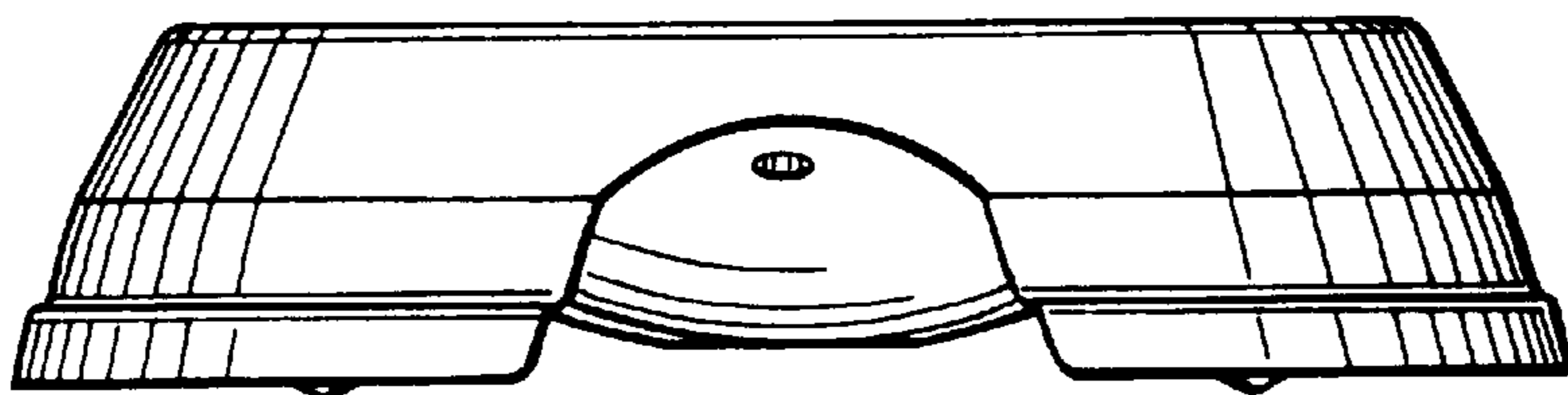


FIG. 5

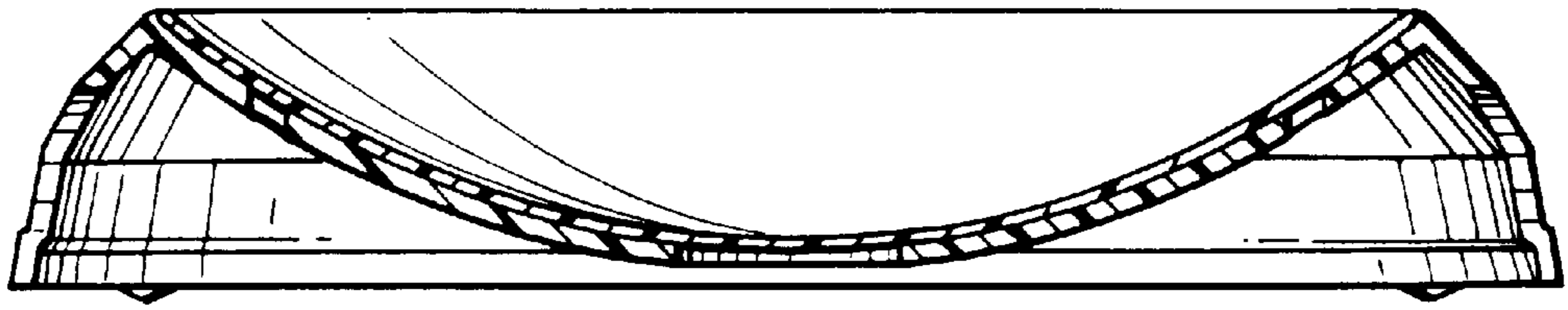


FIG. 6

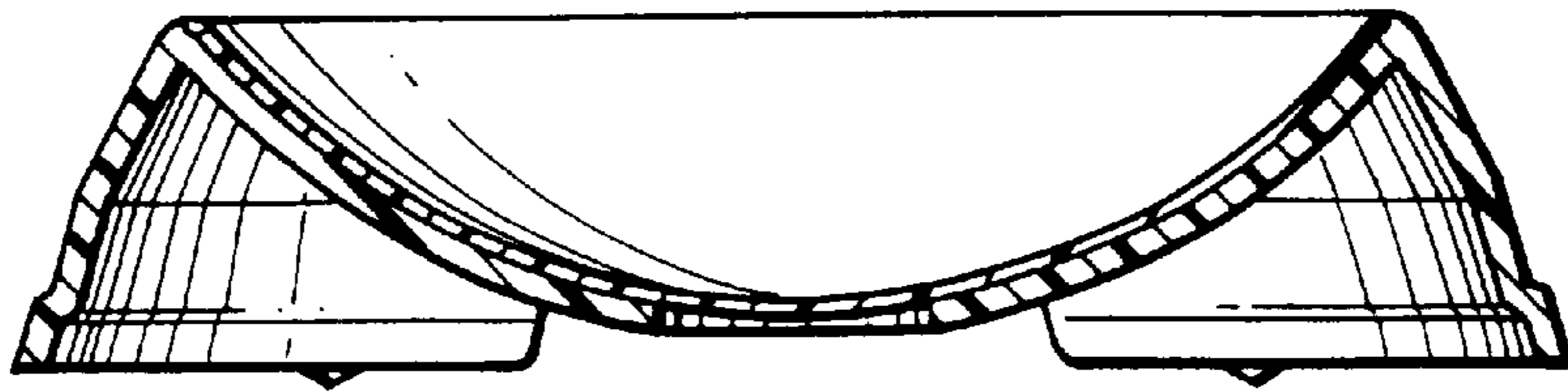


FIG. 7