



US00D424755S

United States Patent [19]

Black et al.

[11] Patent Number: **Des. 424,755**

[45] Date of Patent: **** May 9, 2000**

[54] **PET BED**

[75] Inventors: **Bonnie M. Black; Scott A. Bombard,**
both of Great Falls, Mont.

[73] Assignee: **S&S Woodcrafters,** Great Falls, Mont.

[**] Term: **14 Years**

[21] Appl. No.: **29/090,999**

[22] Filed: **Jul. 21, 1998**

[51] **LOC (7) Cl.** **30-06**

[52] **U.S. Cl.** **D30/118**

[58] **Field of Search** D30/118-119,
D30/112, 115-117; 119/452-453, 497, 28.5,
482, 484-485, 489, 500; D6/334, 382,
379, 389, 393, 390, 370

[56] **References Cited**

U.S. PATENT DOCUMENTS

D. 125,280	2/1941	Little .	
D. 131,147	1/1942	Richardson .	
D. 135,242	3/1943	Meyer	D30/118
D. 193,609	9/1962	Davis	D30/118
D. 216,400	12/1969	Schwertley	D30/118
D. 229,592	12/1973	Fisher .	
D. 232,849	9/1974	Wilson .	
D. 236,450	8/1975	Johnson	D6/388
D. 241,218	8/1976	Harmony	D6/334
D. 287,909	1/1987	Weiss	D6/329
D. 349,930	8/1994	Killion	D21/443
D. 355,077	2/1995	Tegner	D6/334
D. 382,945	8/1997	Hansen et al.	D23/277
D. 386,831	11/1997	Krizek	D30/118
D. 388,560	12/1997	Savicki	D30/162
D. 394,919	6/1998	Giammarinaro	D30/118
2,016,005	10/1935	Giannasca .	
2,659,344	11/1953	Herbert .	
3,438,676	4/1969	Brosk	D6/334

3,618,568	11/1971	Breeden .	
5,265,558	11/1993	Schönrock .	
5,329,879	7/1994	Walton	119/166
5,588,393	12/1996	Heilborn .	
5,685,258	11/1997	Fricano	119/28.5

OTHER PUBLICATIONS

Valco Pet Brochure for Pro-Tect Your Pet Couch; 8-1995; D30-188.

BrauerBros. Mfg. Co. General Catalogue Number 16-A Dog Furnishings and Accessories; p. 12; No. 64; Design Library—pet catalogs.

Advnace Pet Supply Co.; Zenith Novelty Co.; Zenith Quality Pet Supplies catalogp. 28; #468 & #468WC; Design Library —pet catlogs #1.

Primary Examiner—Cathy Anne MacCormac
Attorney, Agent, or Firm—Wells, St. John, Roberts, Gregory & Matkin, P.S.

[57] **CLAIM**

The ornamental design for pet bed, as shown and described.

DESCRIPTION

FIG. 1 is a perspective view of a pet bed showing my new design;

FIG. 2 is a top view thereof;

FIG. 3 is a front elevational view thereof;

FIG. 4 is a rear elevational view thereof;

FIG. 5 is an end elevational view thereof, the opposite end view being a mirror image of that shown in FIG. 5;

FIG. 6 is a perspective view of a second embodiment of FIG. 1;

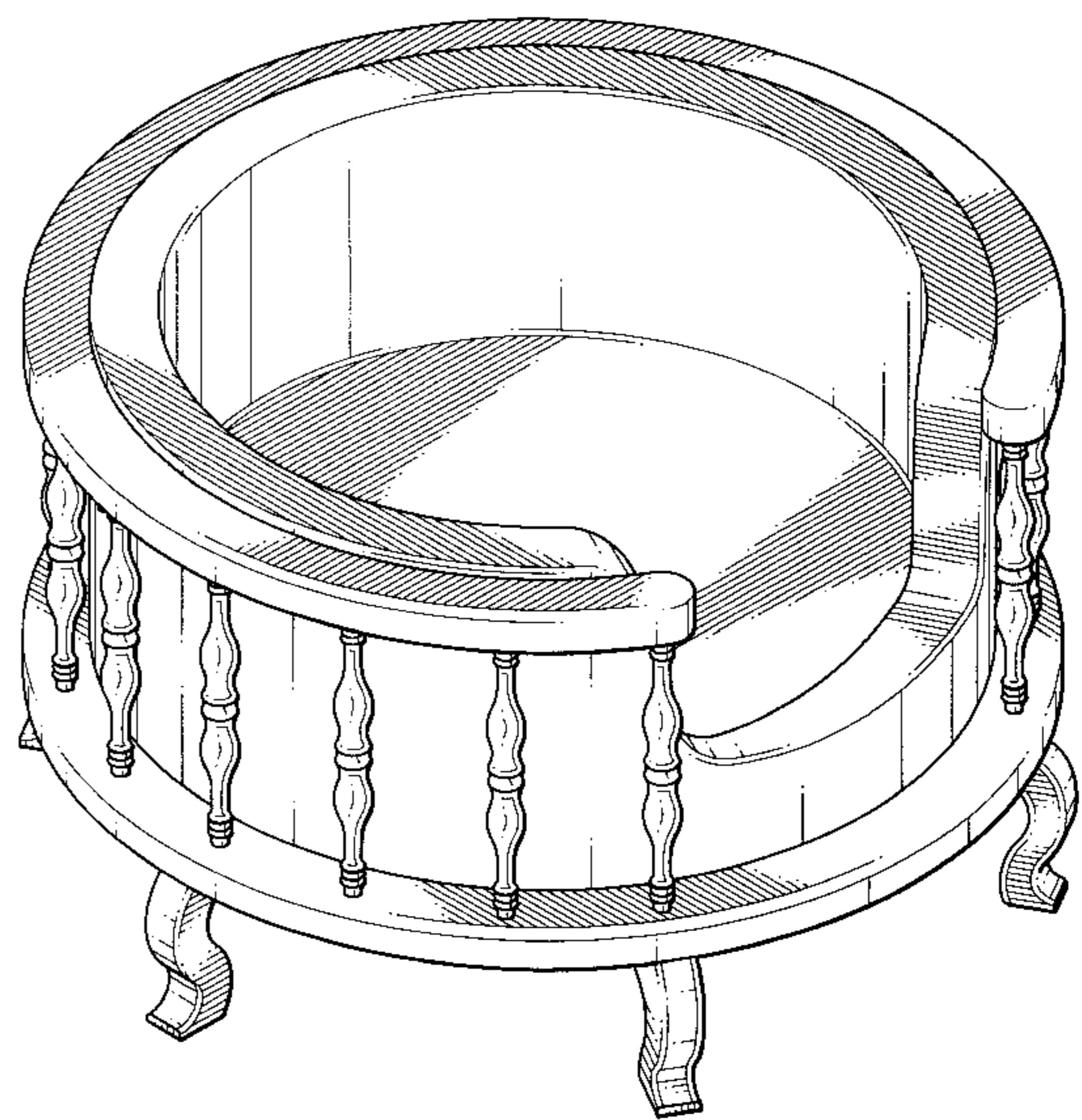
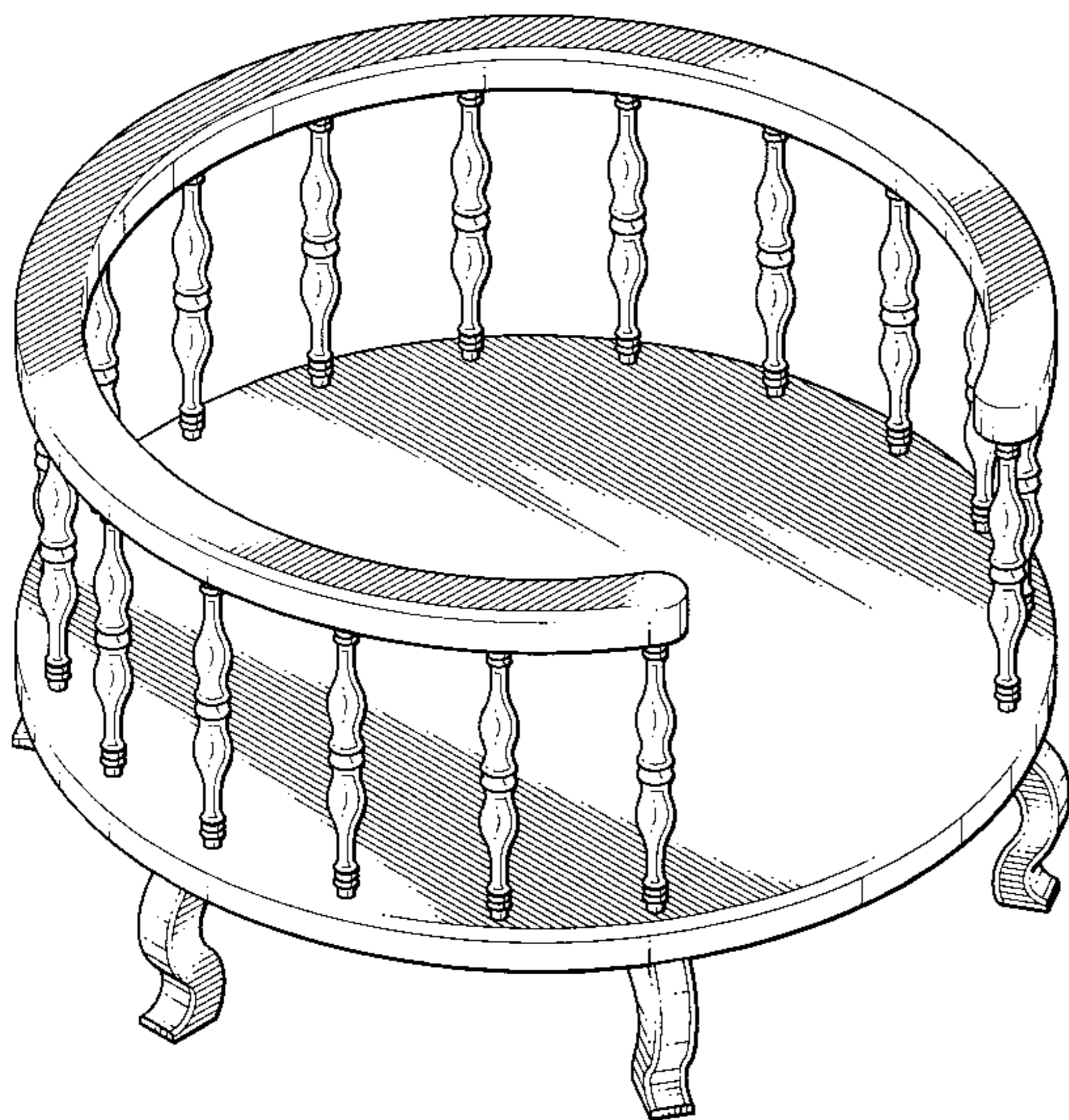
FIG. 7 is a top view of FIG. 1;

FIG. 8 is a front elevational view of FIG. 1;

FIG. 9 is a rear elevational view of FIG. 1; and,

FIG. 10 is an end elevational view of FIG. 1, the opposite end view being a mirror image of that shown in FIG. 10.

1 Claim, 6 Drawing Sheets



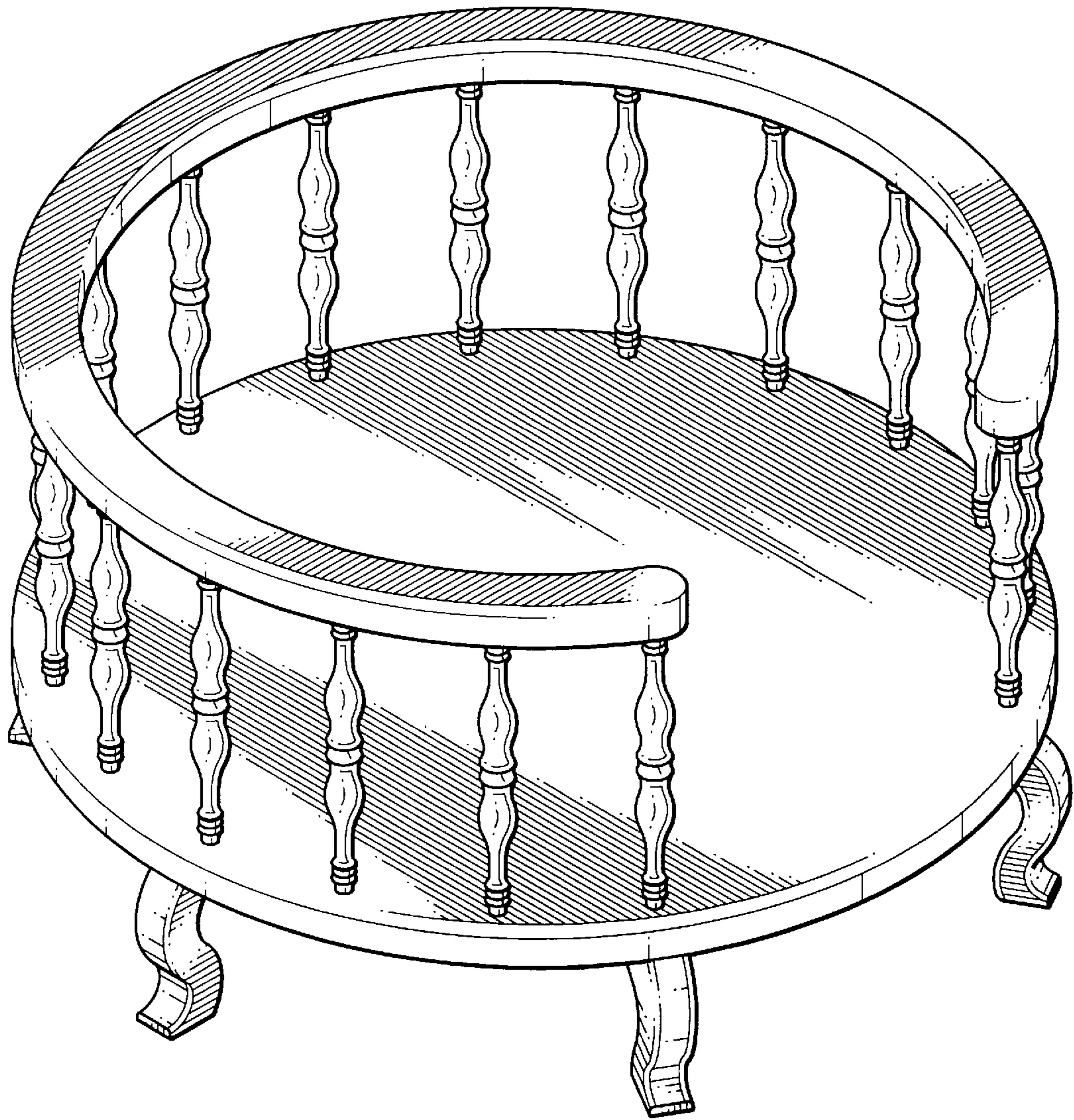


FIG. 1

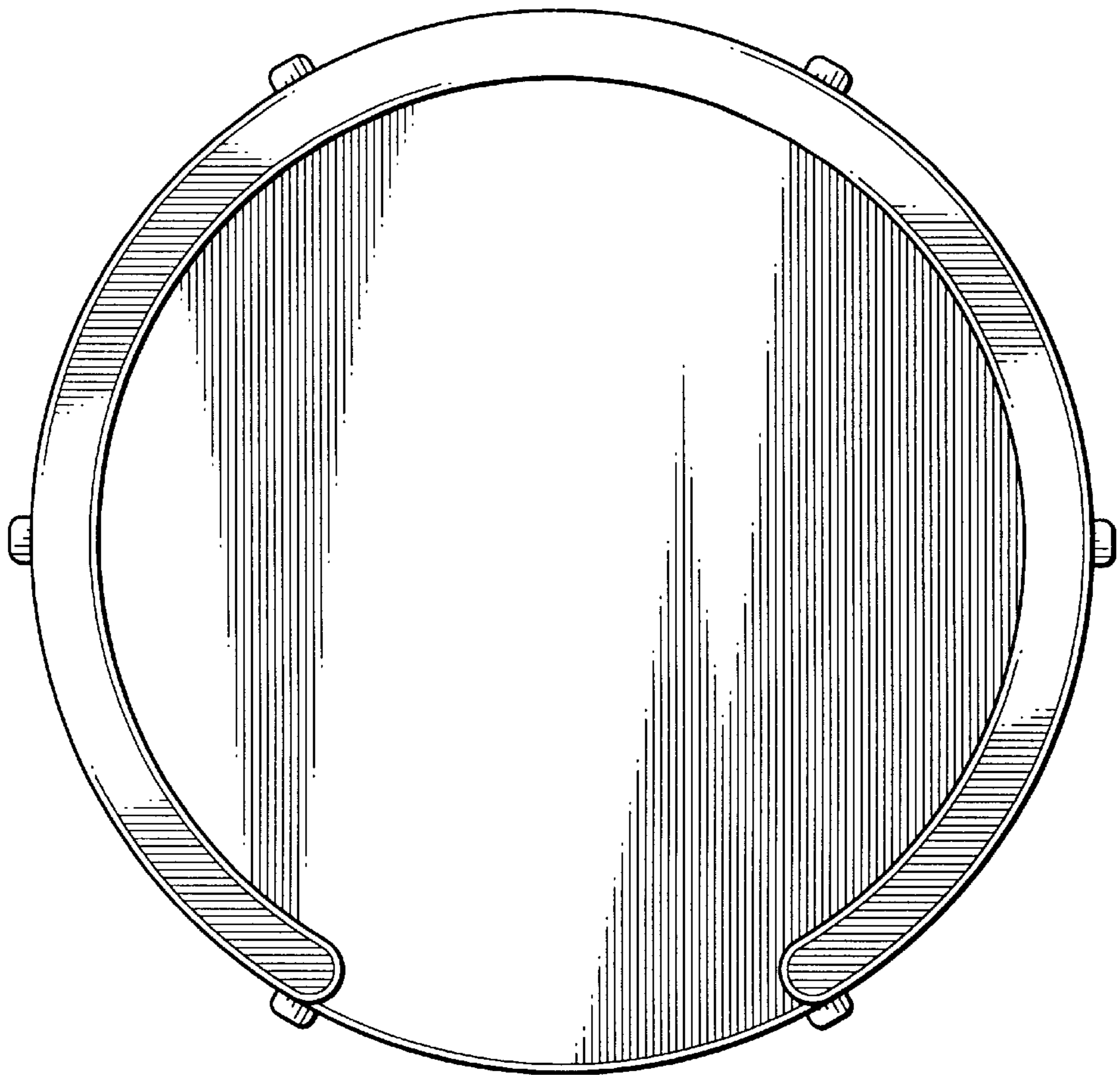


Fig 2

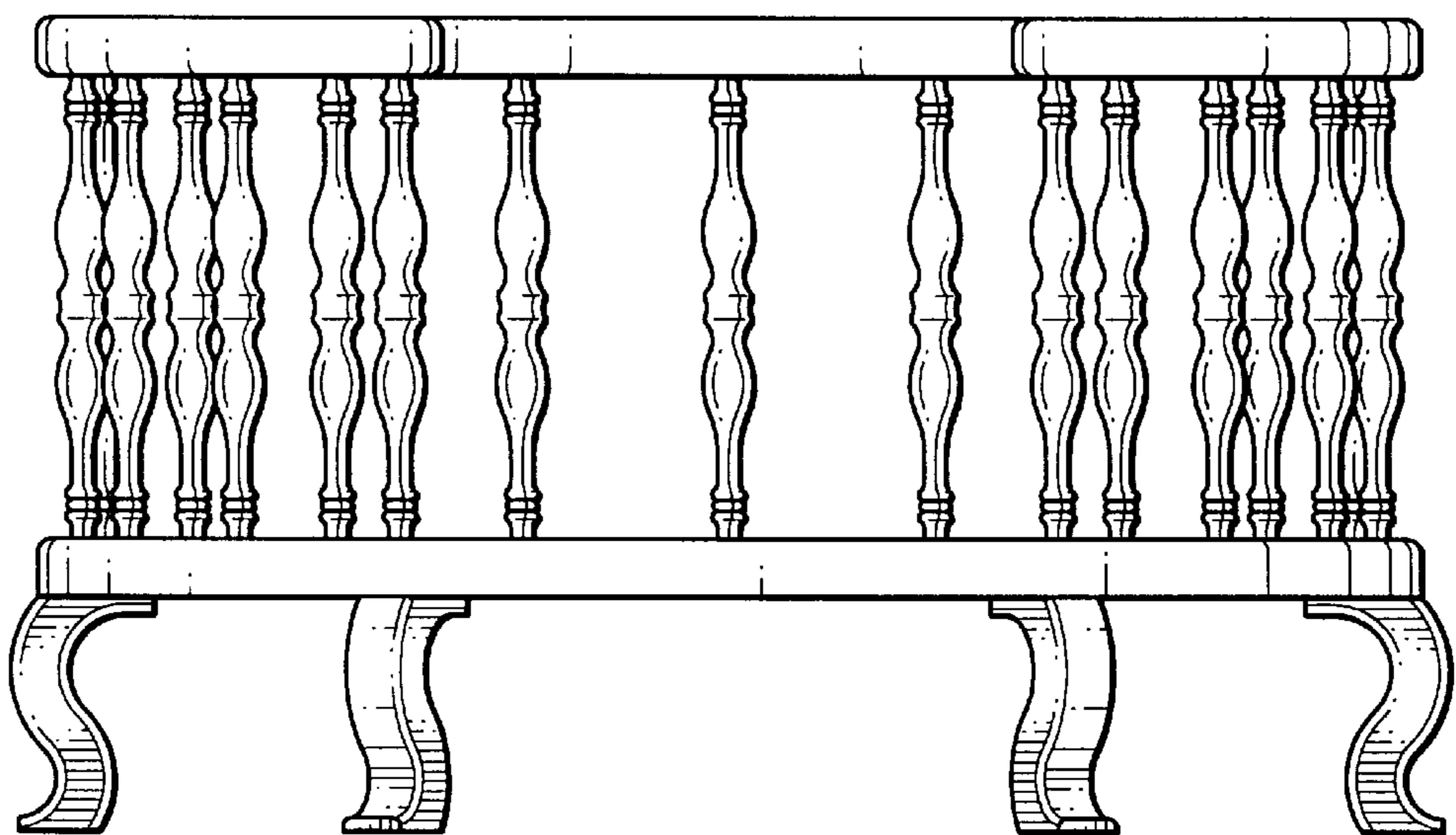


Fig 3

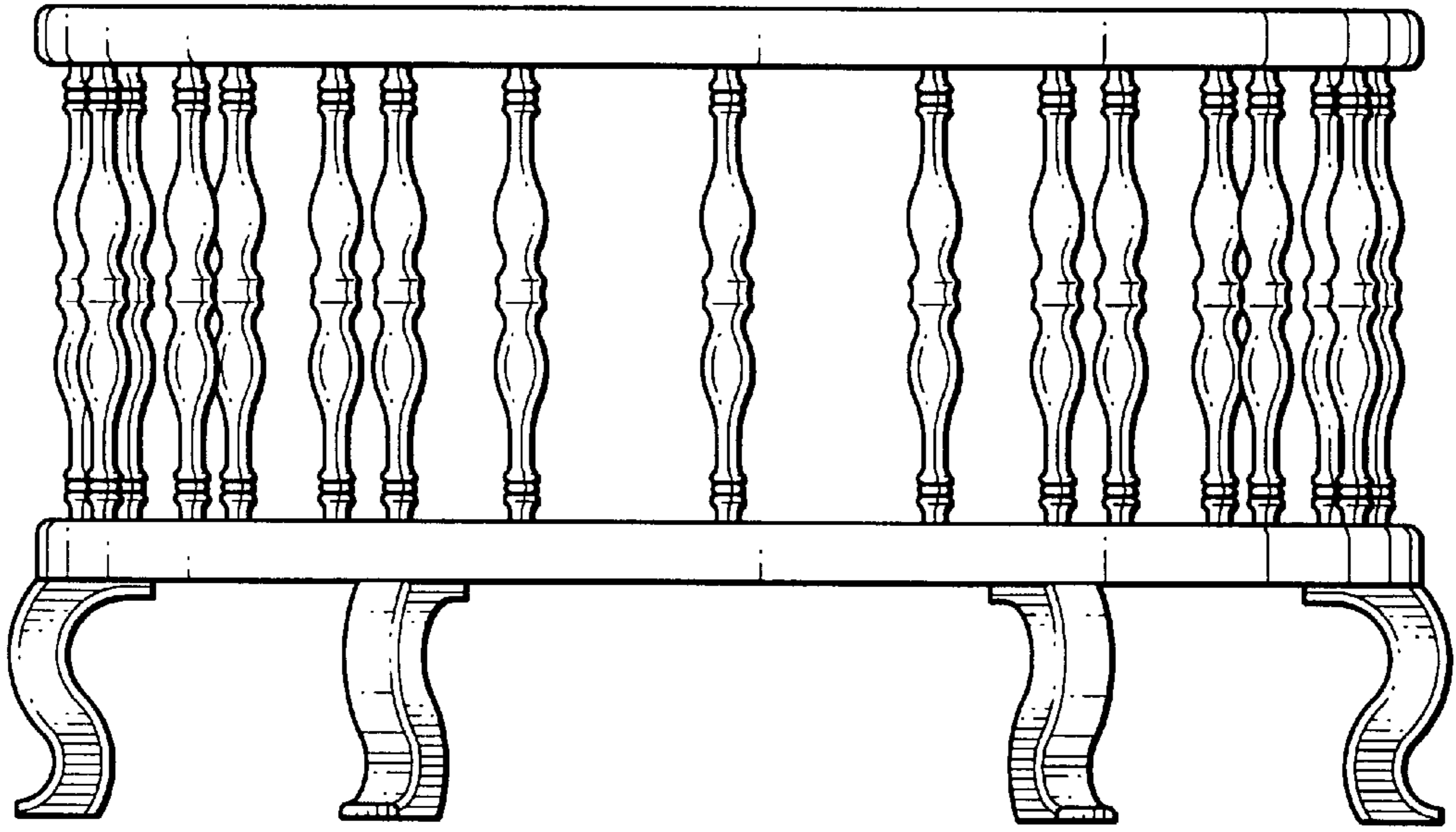


Fig. 4

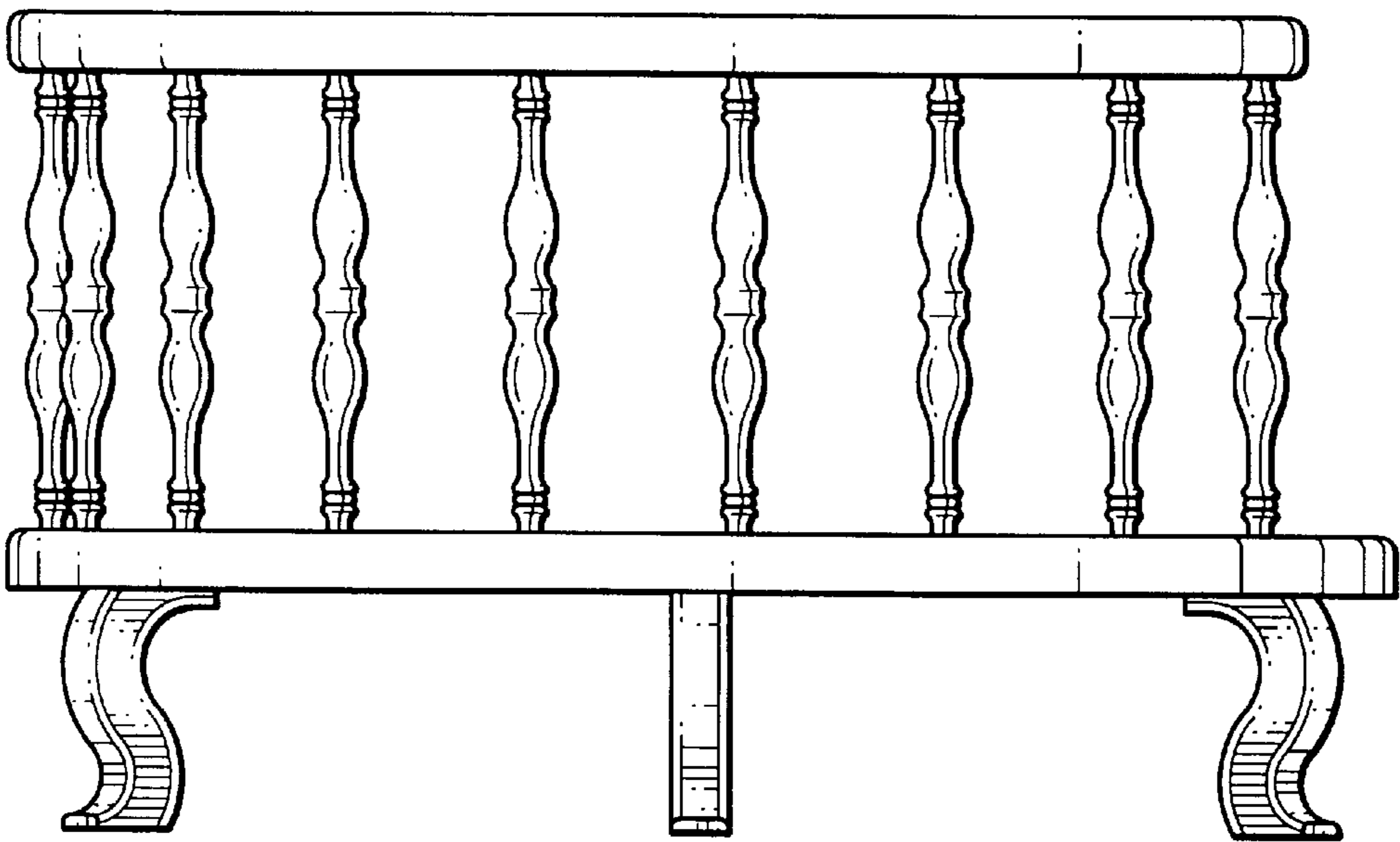


Fig. 5

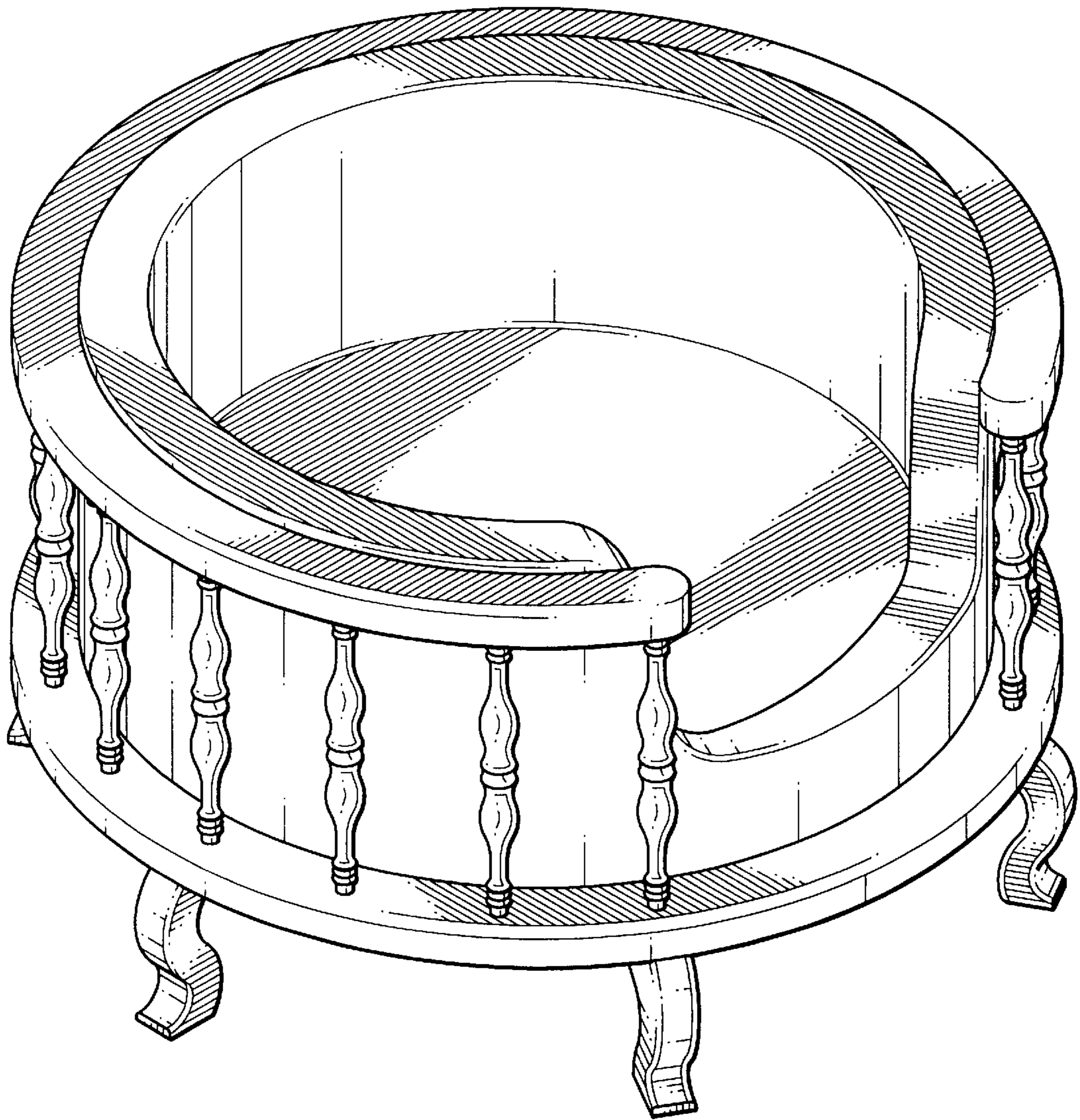


FIG. 6

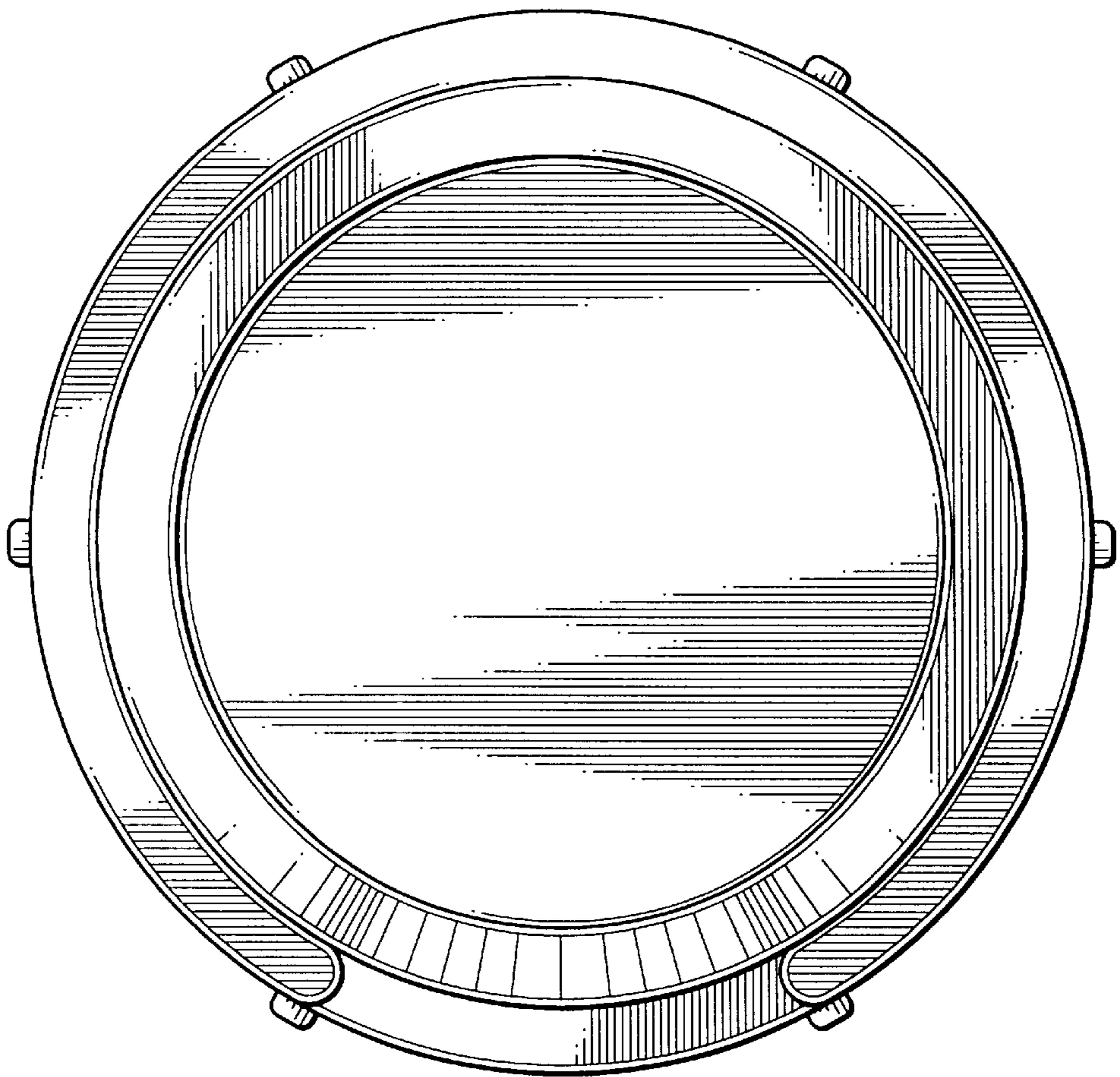


Fig. 7

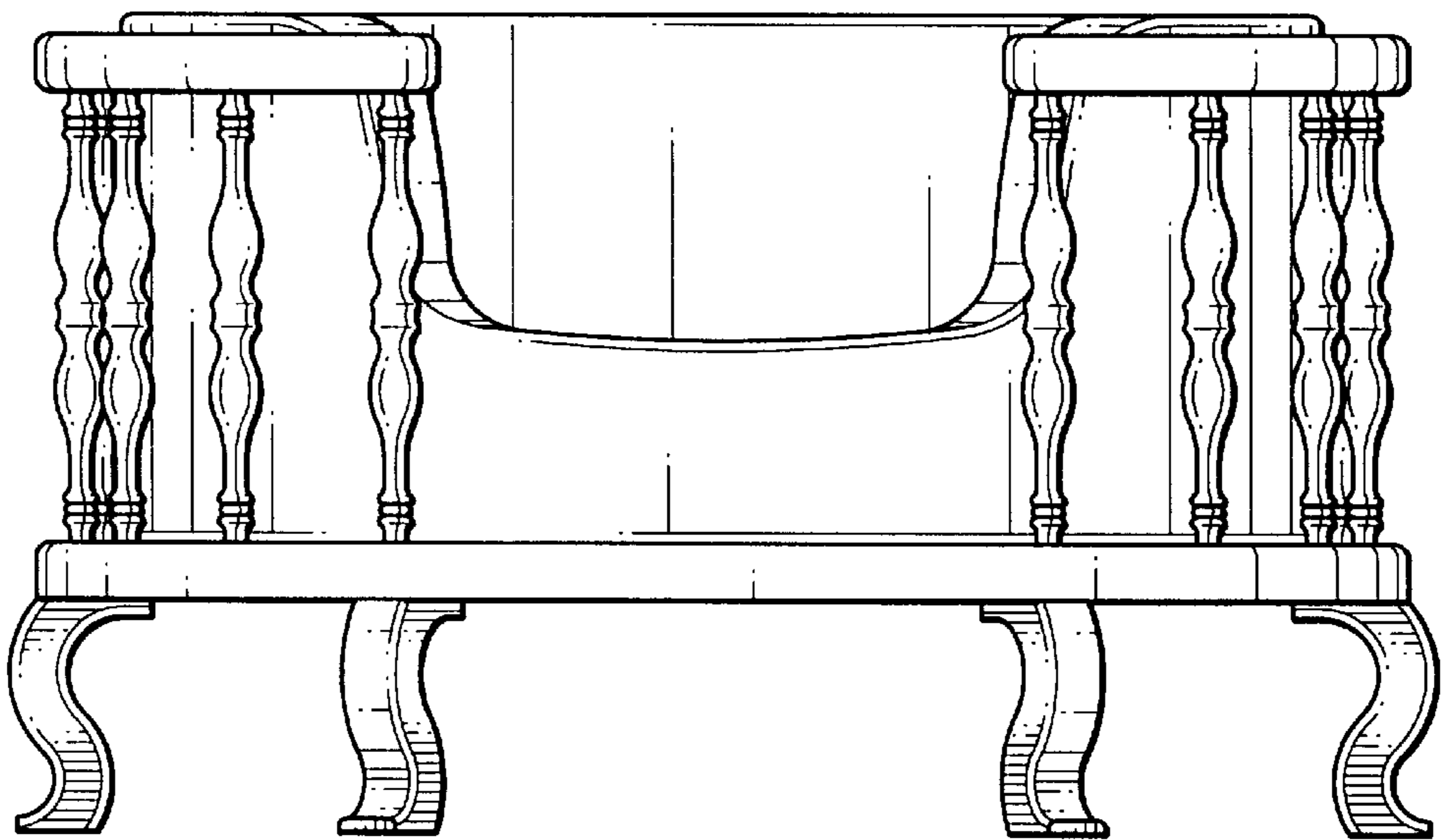


Fig. 8

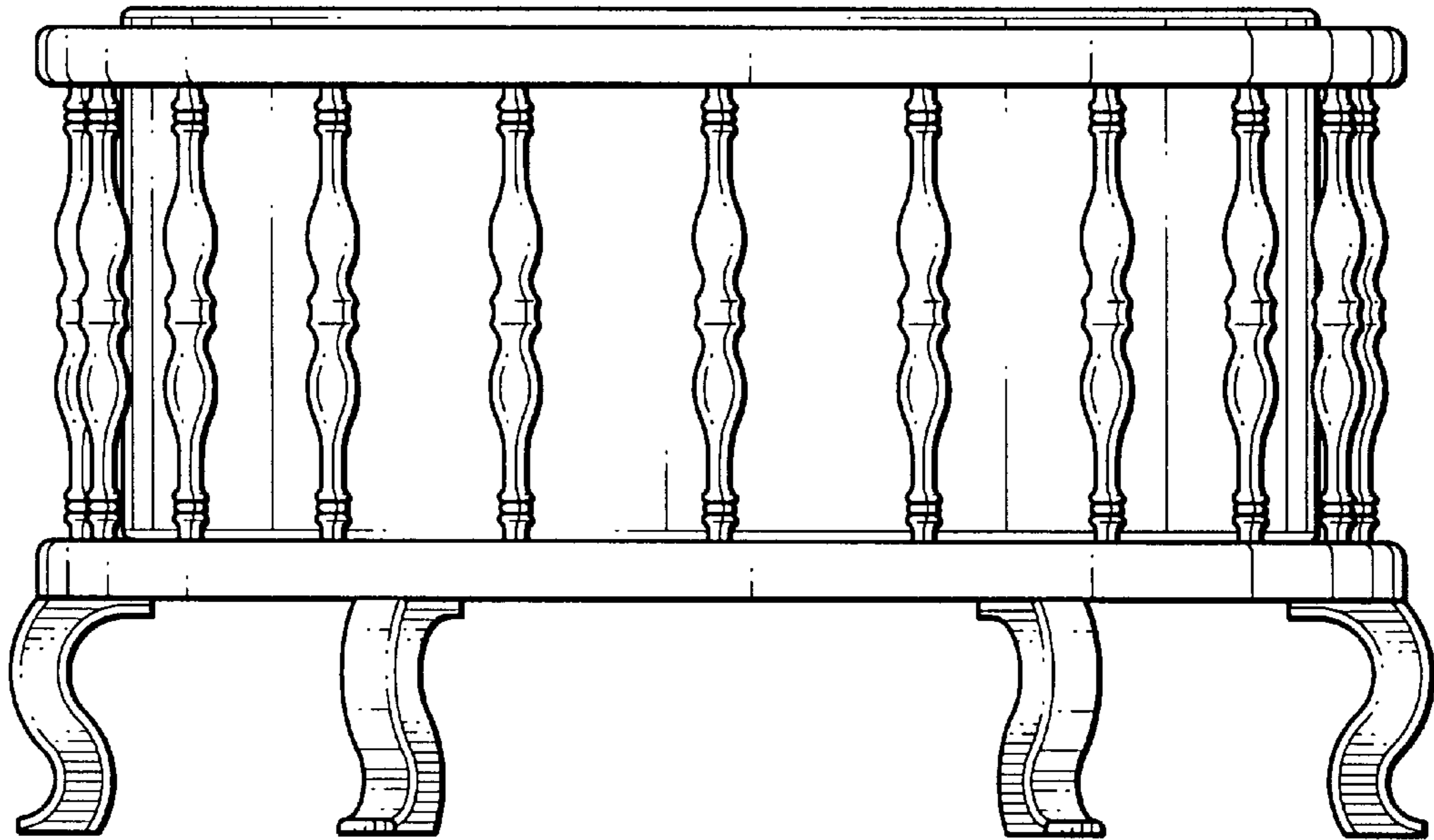


Fig. 9

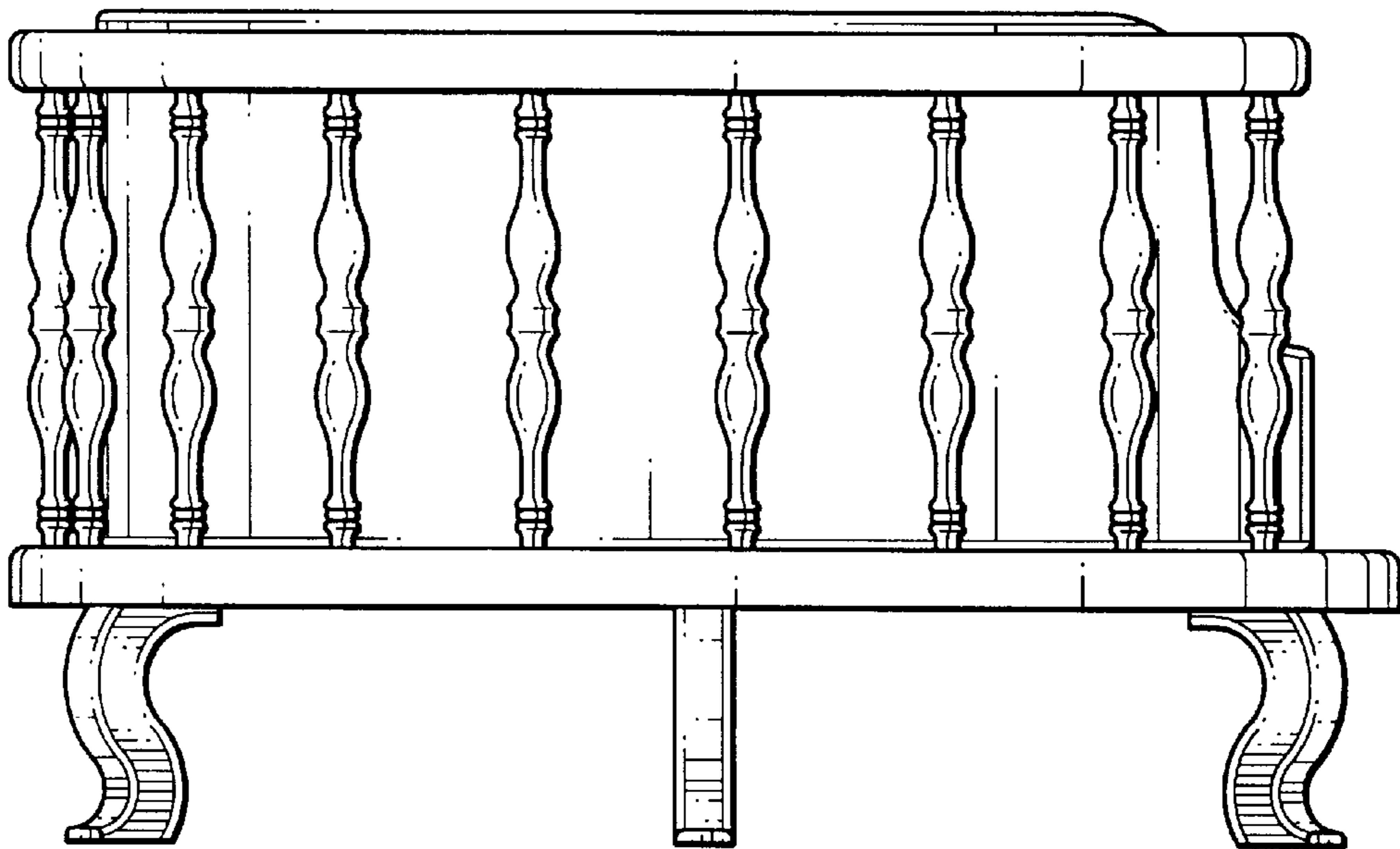


Fig. 10

UNITED STATES PATENT AND TRADEMARK OFFICE
CERTIFICATE OF CORRECTION

PATENT NO. : Des.424,755
DATED : May 9, 2000
INVENTOR(S) : Black et al

It is certified that error appears in the above-identified patent and that said Letters Patent is hereby corrected as shown below:

column 2, in the Description after "Fig 7 is a top view of FIG.", delete [1], and replace with - - 6 - - .

column 2, in the Description after "Fig 8 is a front elevational view of FIG.", delete [1], and replace with - - 6 - - .

column 2, in the Description after "Fig 9 is a rear elevational view of FIG.", delete [1], and replace with - - 6 - - .

column 2, in the Description after "Fig 10 is an end elevational view of FIG.", delete [1], and replace with - - 6 - - .

Signed and Sealed this
Twenty-fourth Day of April, 2001

Attest:



NICHOLAS P. GODICI

Attesting Officer

Acting Director of the United States Patent and Trademark Office