



US00D424749S

United States Patent [19] Zalzal

[11] **Patent Number: Des. 424,749**

[45] **Date of Patent: ** May 9, 2000**

[54] **CONTAINER FOR COSMETICS**

[75] Inventor: **Hana Zalzal**, North York, Canada

[73] Assignee: **Cargo Cosmetics Corp.**, Canada

[**] Term: **14 Years**

[21] Appl. No.: **29/088,818**

[22] Filed: **Jun. 1, 1998**

[51] **LOC (7) Cl.** **28-03**

[52] **U.S. Cl.** **D28/76; D28/82**

[58] **Field of Search** D28/76, 77, 82, D28/91; D9/500, 502-504, 337, 347, 424, 428, 429, 454, 456; D3/200, 302; D7/601, 602, 610, 612, 629; 132/286, 293, 294, 298, 299, 301, 303-307, 316; 206/581, 823, 235; 220/23.83, 23.87, 23.88, 604, 634, 656-659, 669, 672, 674-675, DIG. 26

[56] **References Cited**

U.S. PATENT DOCUMENTS

D. 24,203	4/1895	Estes	D9/504
D. 26,218	10/1896	Miller	D9/504
D. 28,413	3/1898	Taite	D9/504
1,098,813	6/1914	Mahringer	15/209.1
1,236,843	8/1917	Kendall	132/303
1,353,281	9/1920	Sharp	132/294
1,551,006	8/1925	Bruns	220/796
1,558,471	10/1925	Goertz	132/295
1,626,613	5/1927	Kendall	132/303
1,854,373	4/1932	Friedman	132/298
3,048,316	8/1962	Roos et al.	229/5.5

FOREIGN PATENT DOCUMENTS

599338	10/1925	France	132/294
--------	---------	--------	-------	---------

OTHER PUBLICATIONS

Packaging catalog 1935, p. 57: round, seamless slip cover ointment box shown by arrow.

Columbia Specialty Company brochure, Custom Seamless Containers, product description, dated prior to Jun. 1, 1998.

Steeltin Can Corporation Stock Design Tins 1994 catalogue, issued in 1994, pp. 1-16.

Primary Examiner—Ted Shooman

Assistant Examiner—C Tuttle

Attorney, Agent, or Firm—Saidman DesignLaw Group

[57] **CLAIM**

The ornamental design for a container for cosmetics, as shown and described.

DESCRIPTION

FIG. 1 is an exploded perspective view of a container for cosmetics showing my new design;

FIG. 2 is a partially exploded view showing the cosmetic holder element in place;

FIG. 3 is an assembled perspective view;

FIG. 4 is a top view of the lid of my design shown separate from the assembly for clarity and completeness of disclosure;

FIG. 5 is a side view thereof, all sides appearing the same;

FIG. 6 is a bottom view thereof;

FIG. 7 is a top view of the cosmetic holder of my design, shown separate from the assembly for clarity and completeness of disclosure;

FIG. 8 is a side view thereof, all sides appearing the same;

FIG. 9 is a bottom view thereof;

FIG. 10 is a top view of the base of my design, shown separate from the assembly for clarity and completeness of disclosure;

FIG. 11 is a side view thereof, all sides appearing the same; and,

FIG. 12 is a bottom view thereof.

The broken lines shown in the drawings are for illustrative purposes only and form no part of the claimed design.

1 Claim, 6 Drawing Sheets

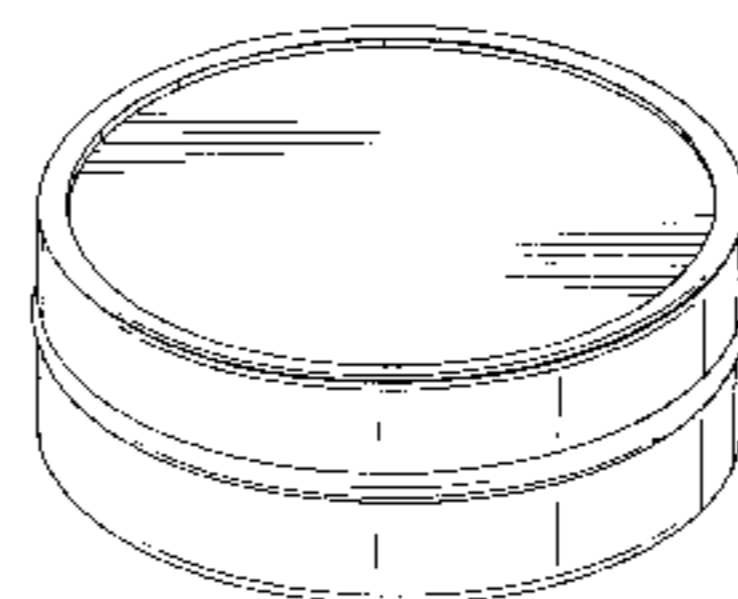
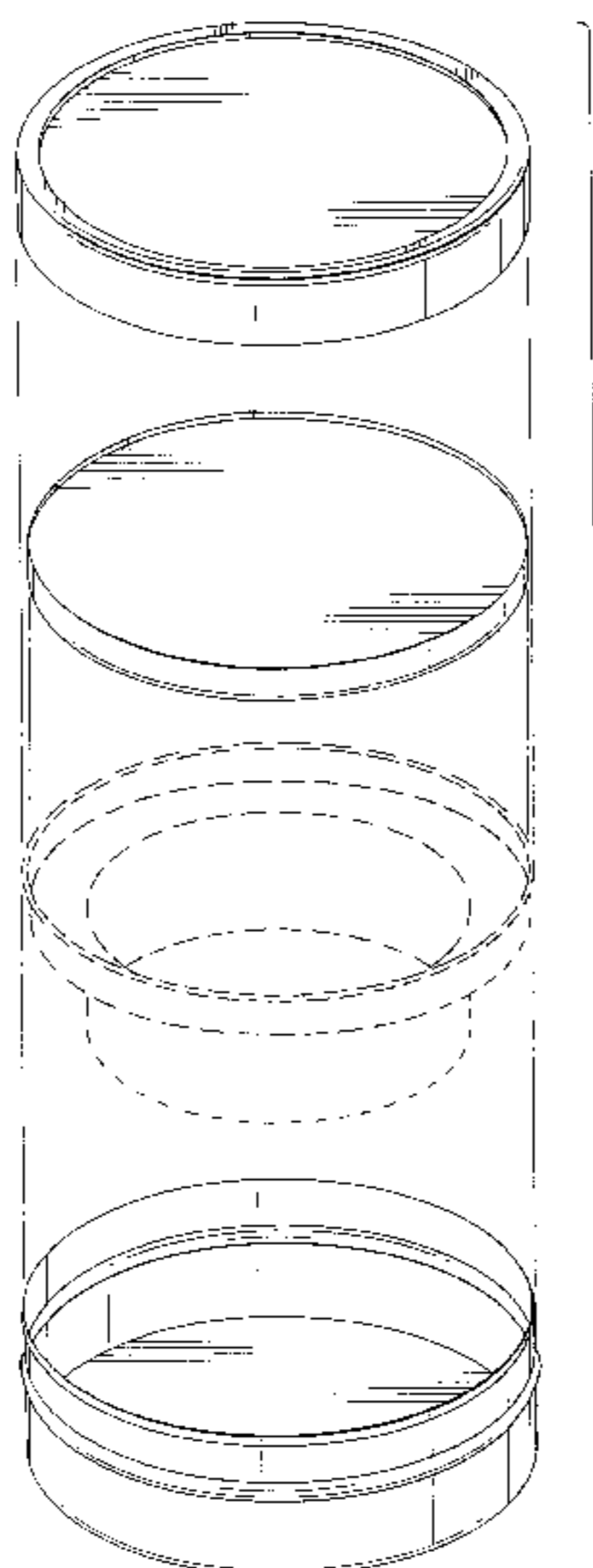


FIG. 1

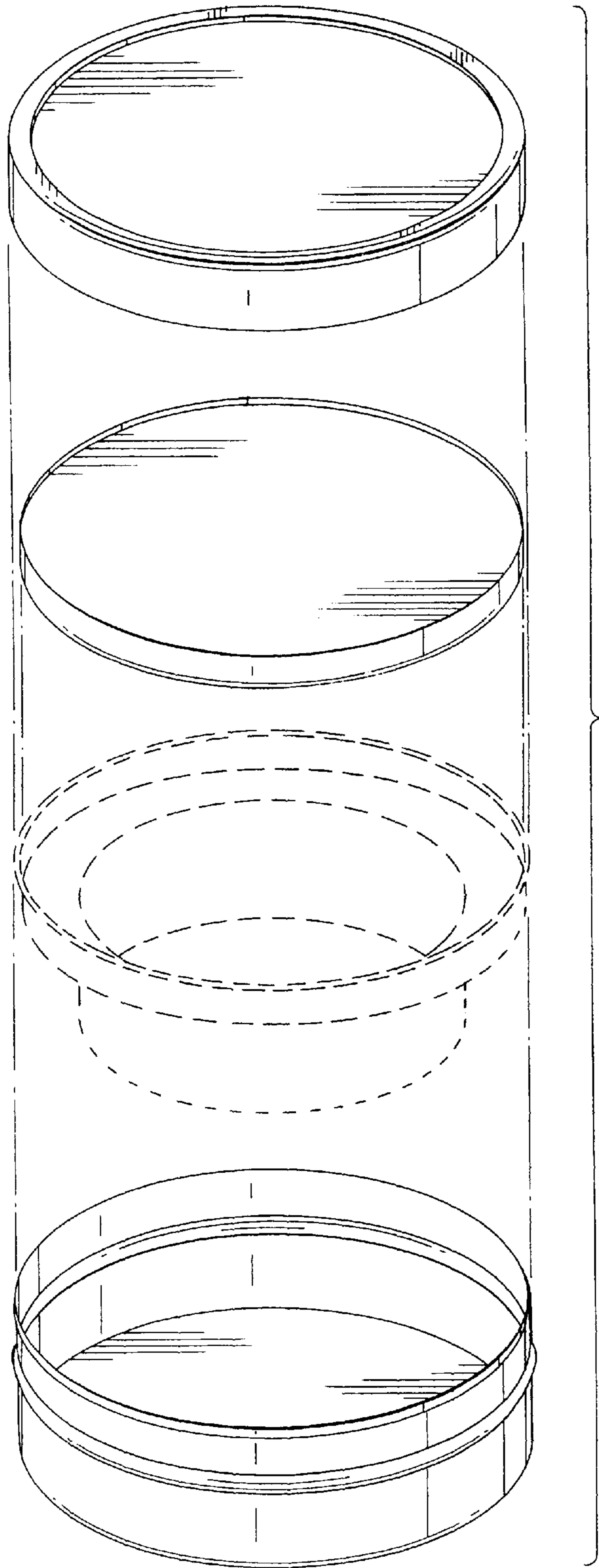


FIG. 2

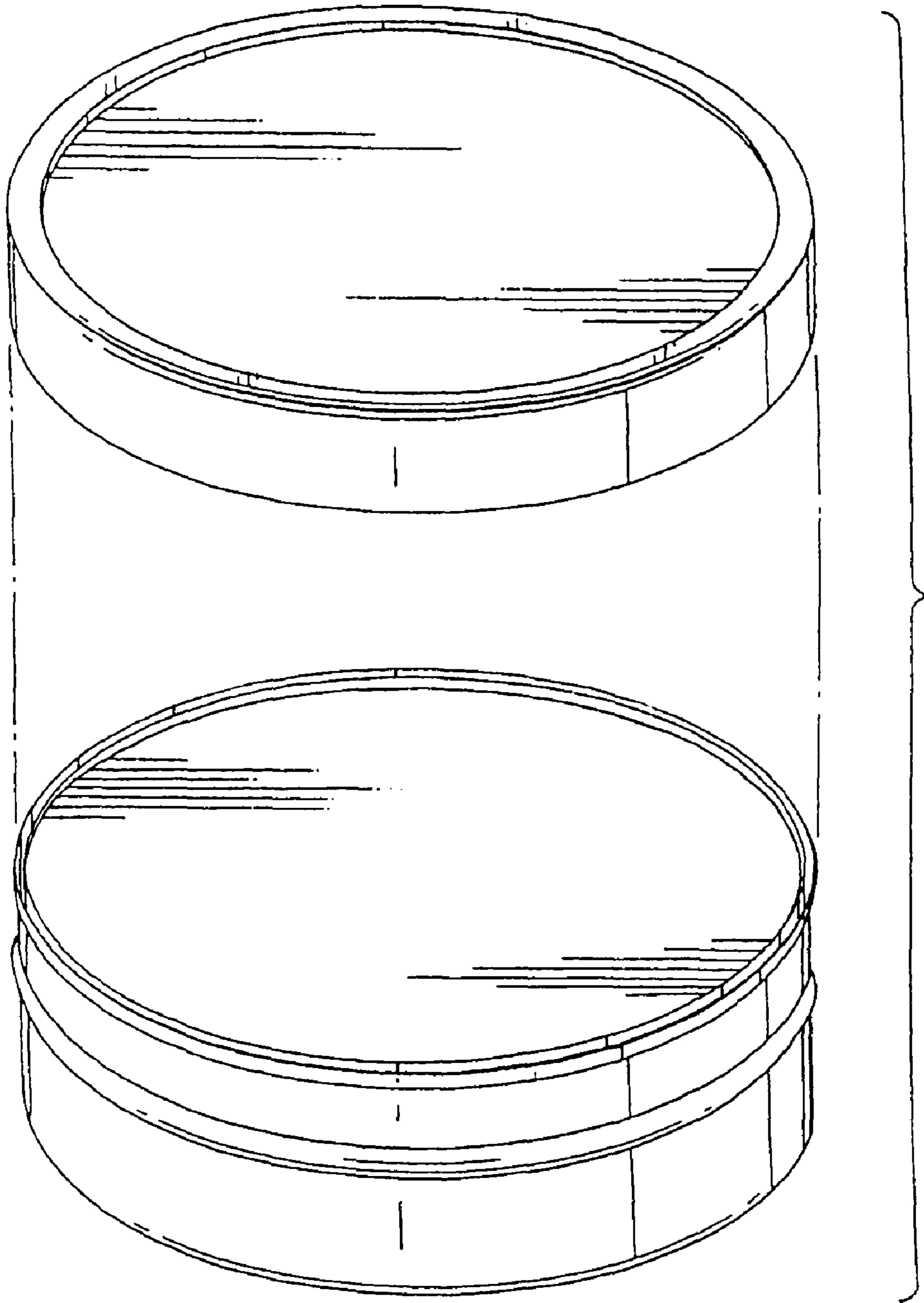


FIG. 3

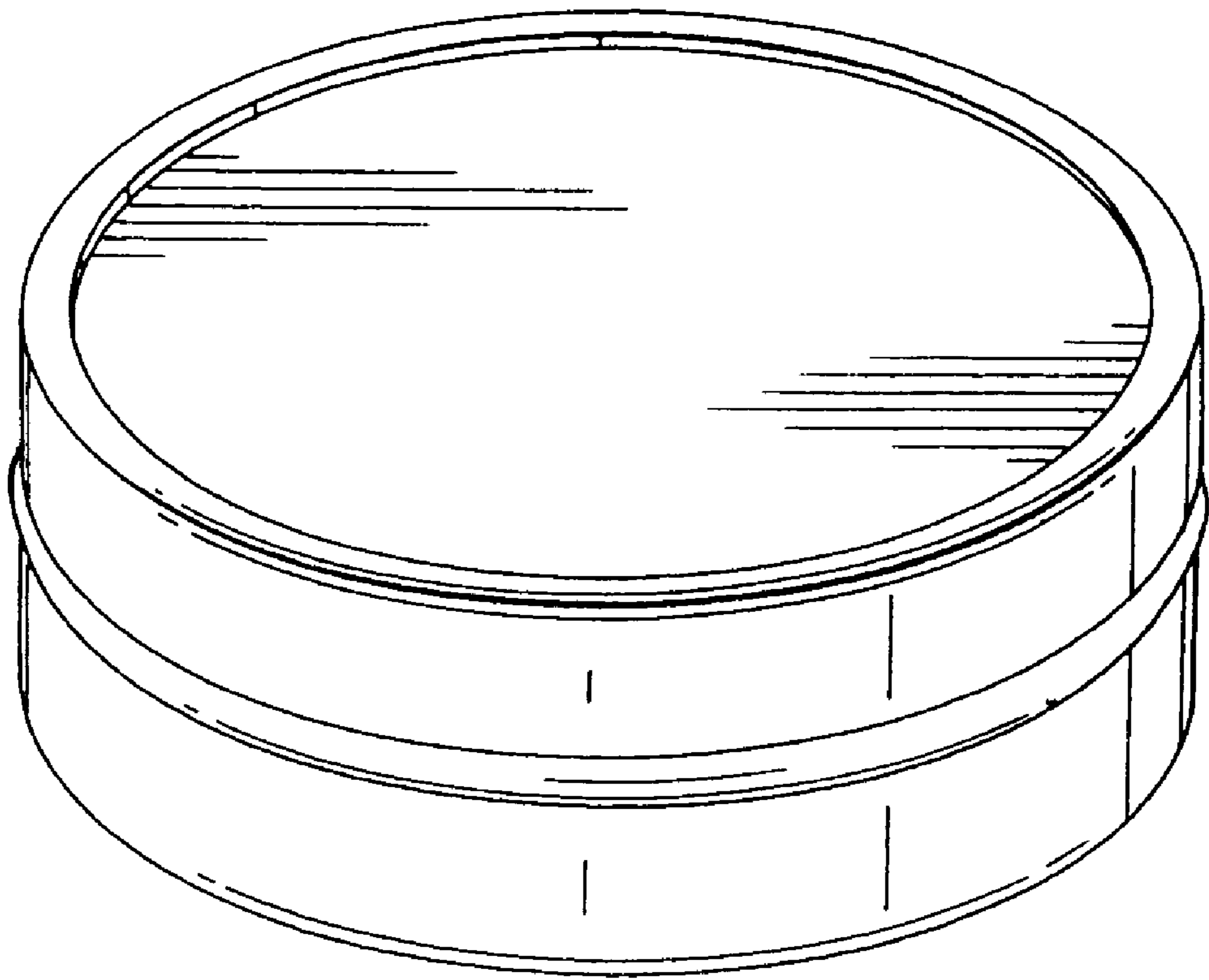


FIG. 4

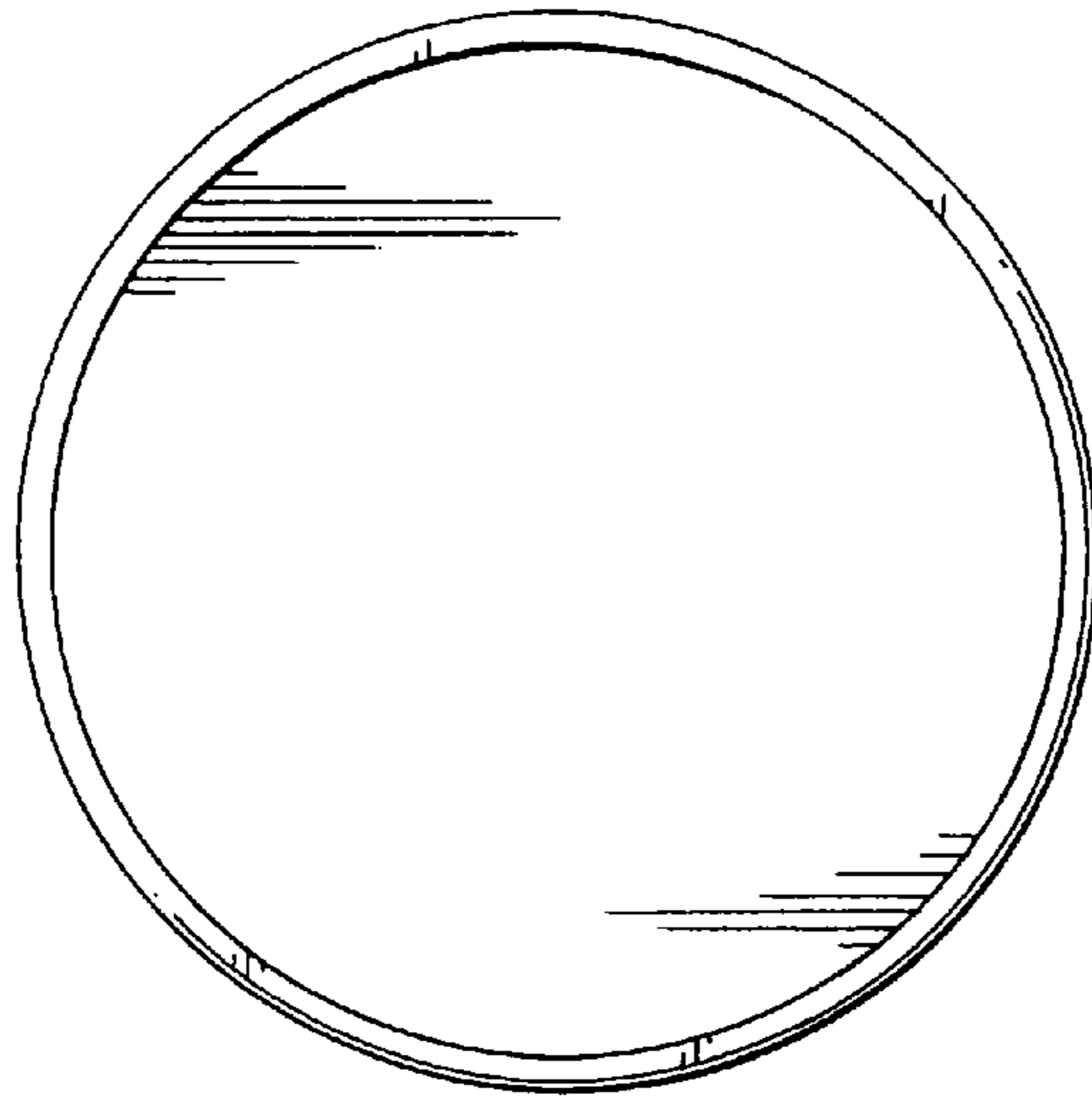


FIG. 5

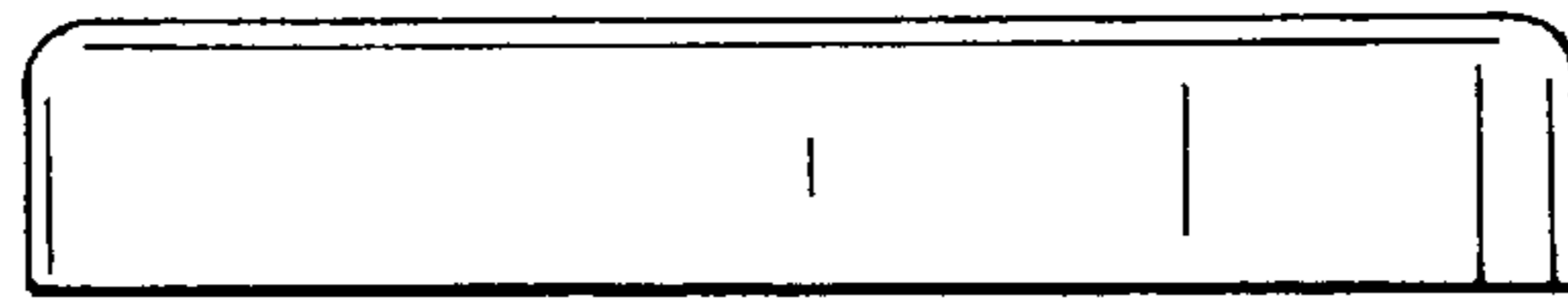


FIG. 6

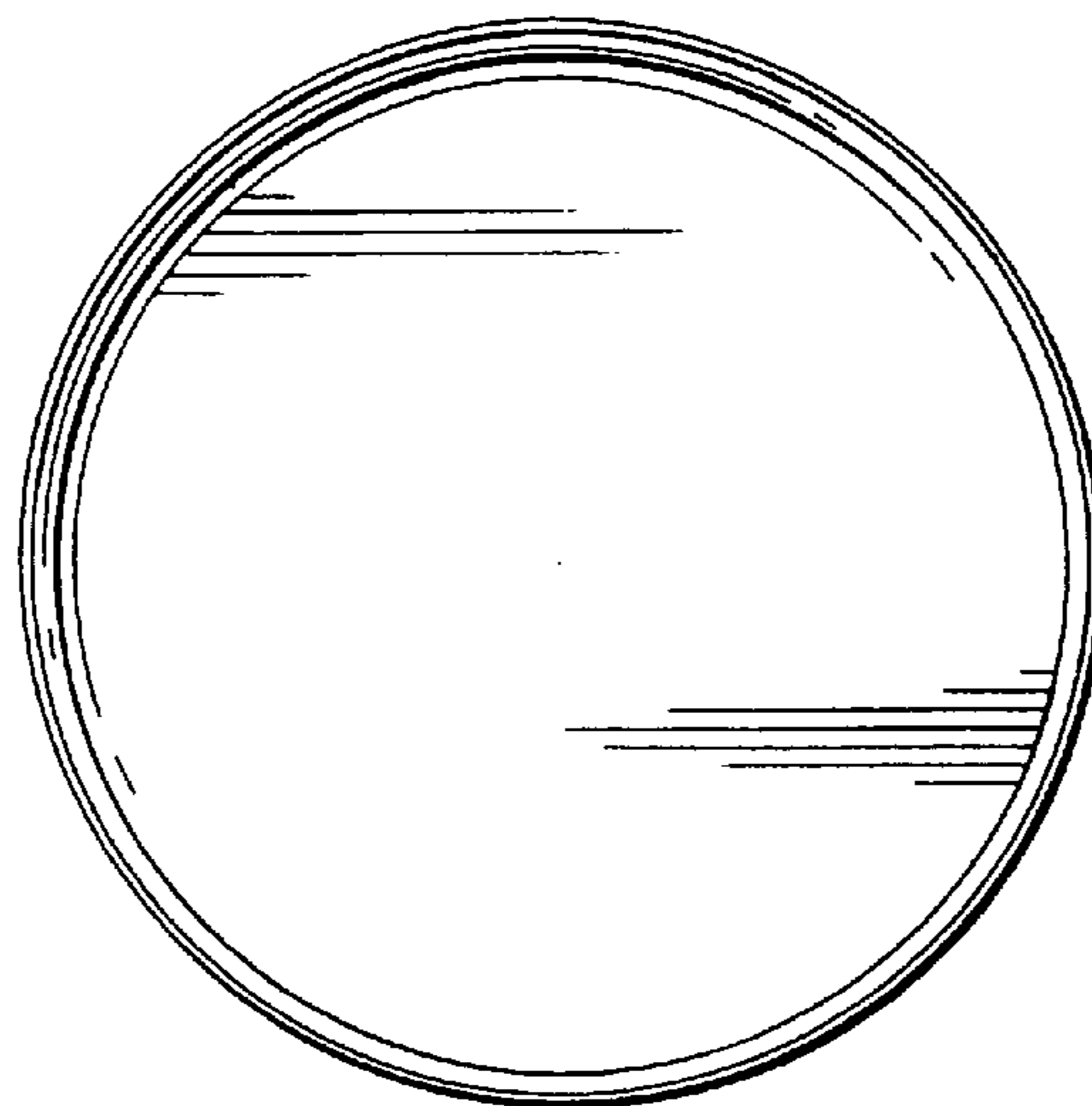


FIG. 7

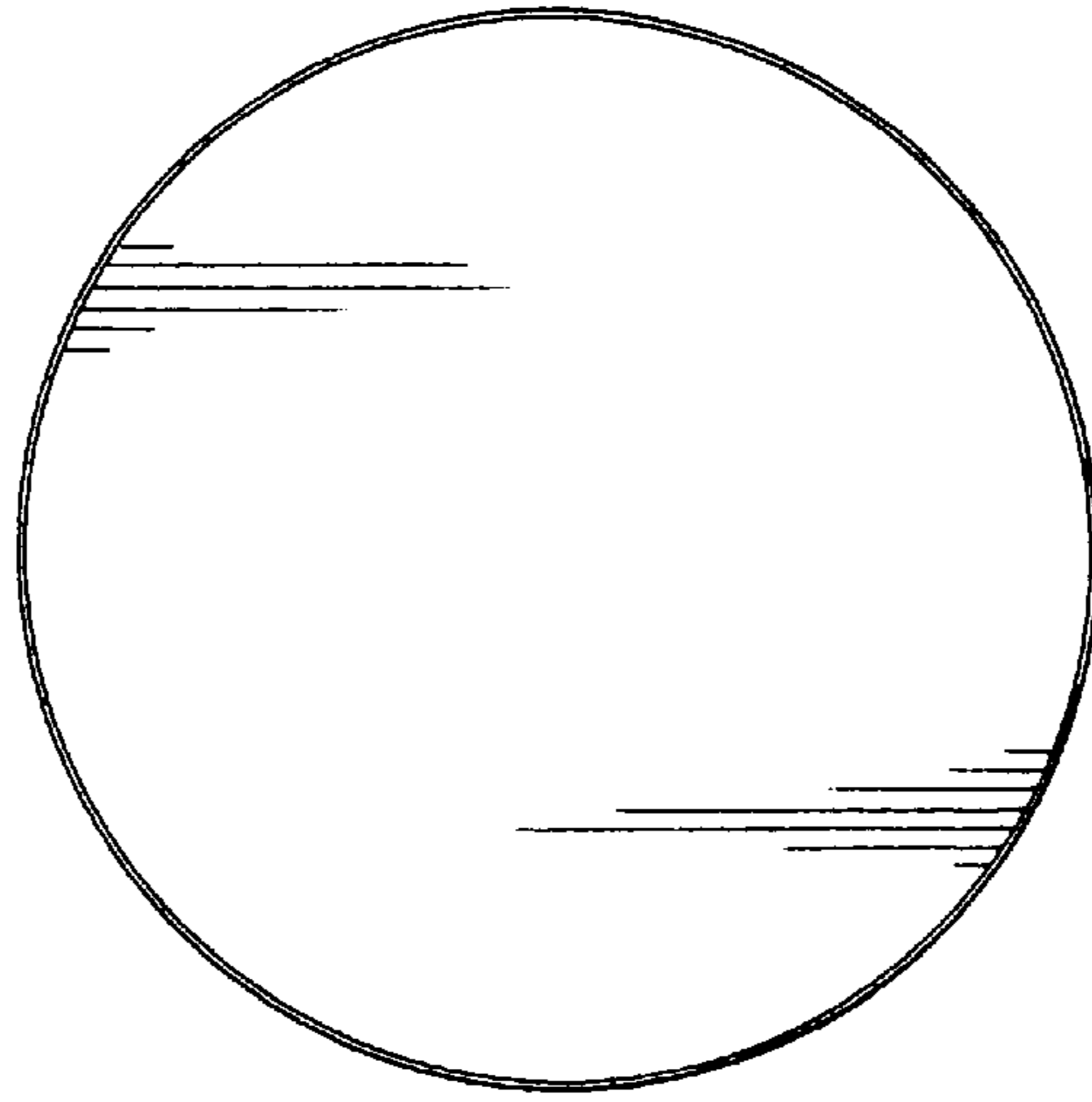


FIG. 8

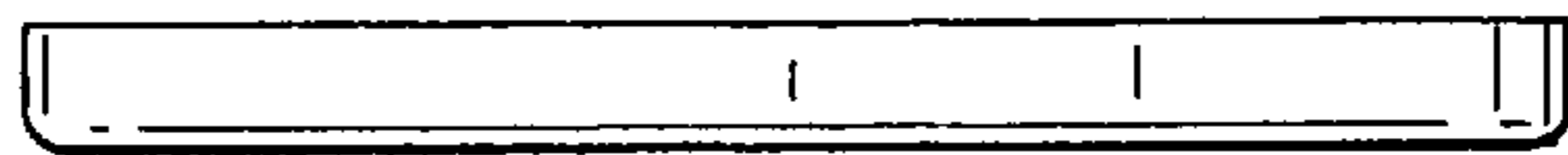


FIG. 9

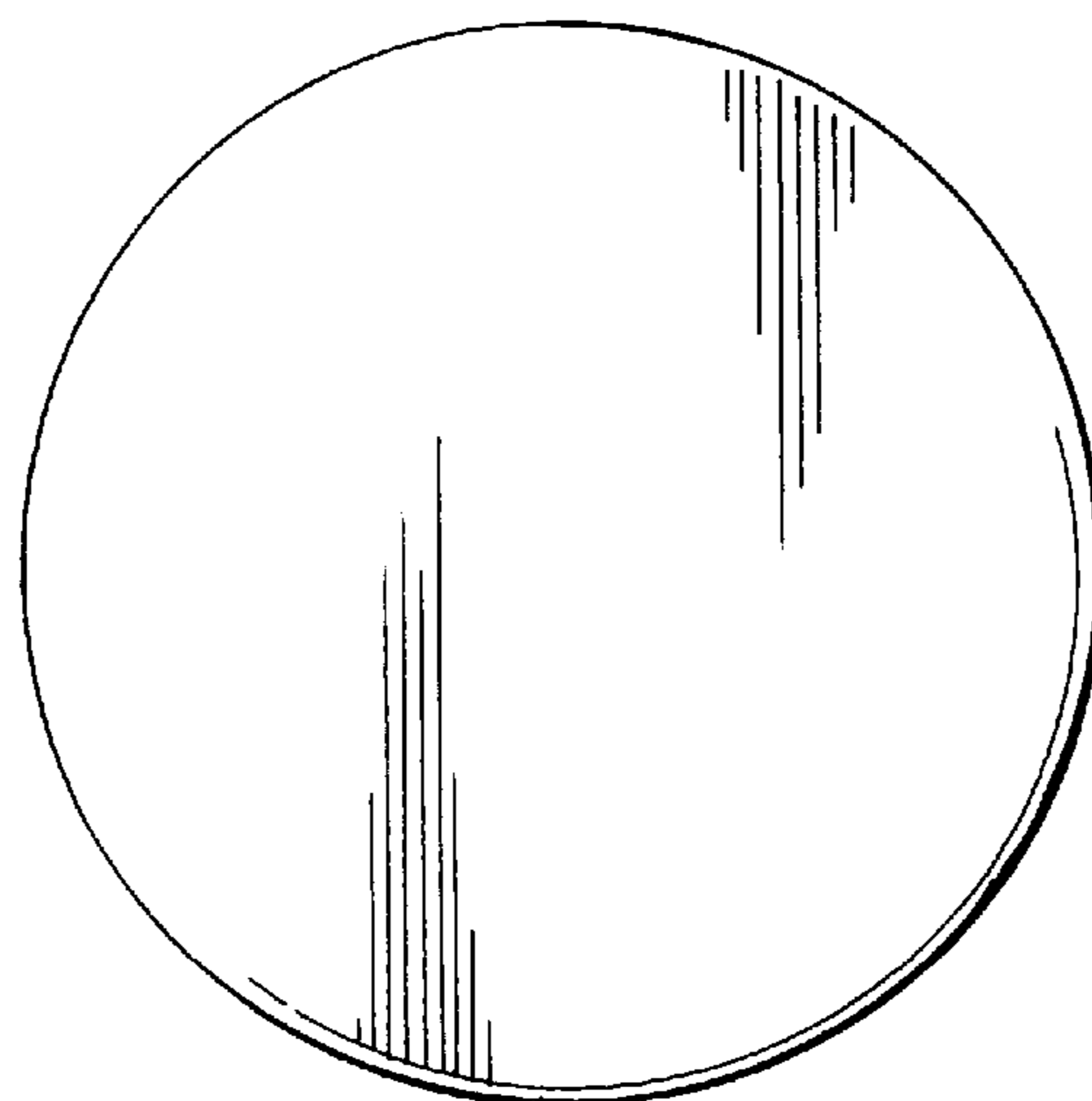


FIG. 10

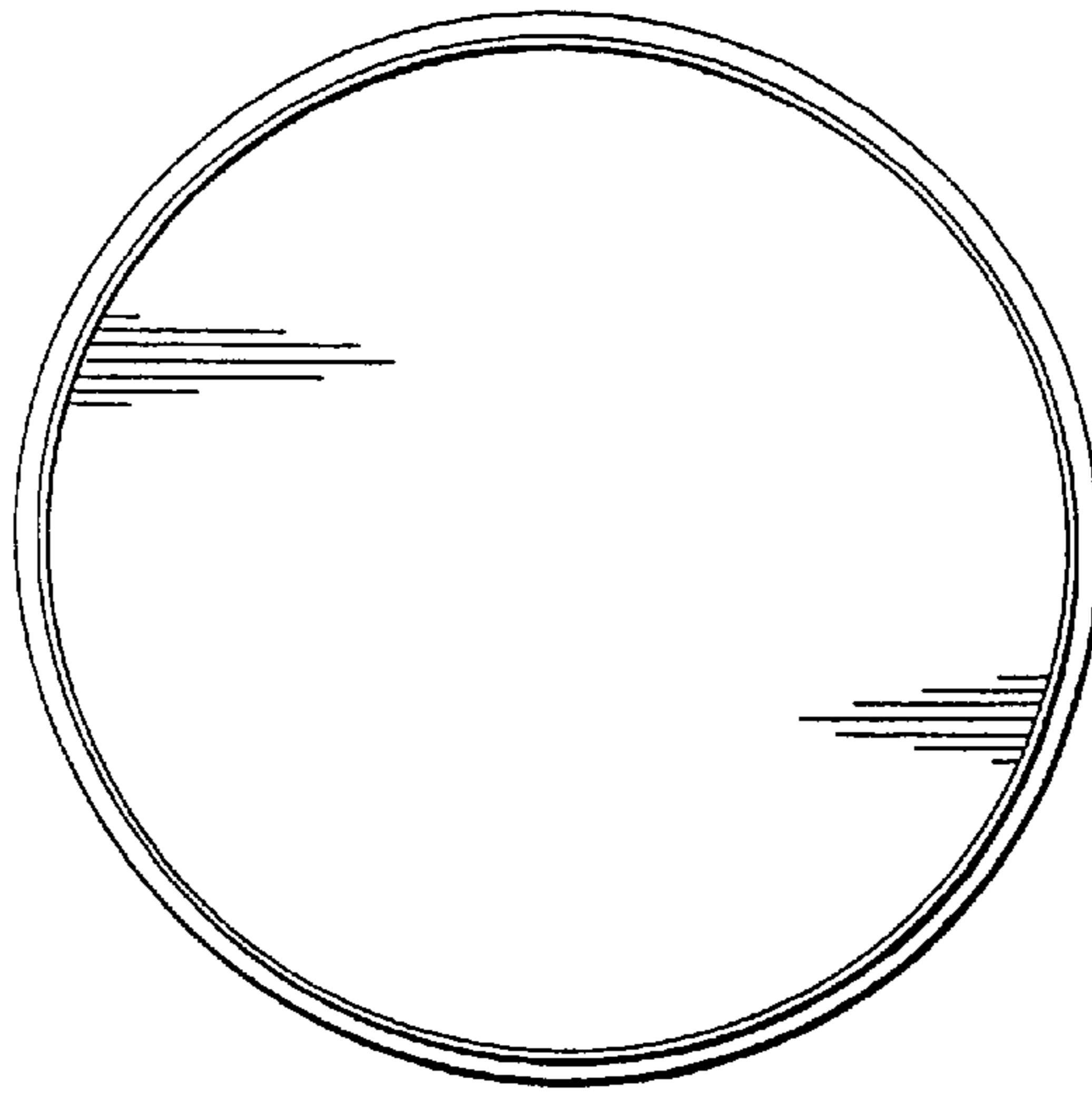


FIG. 11

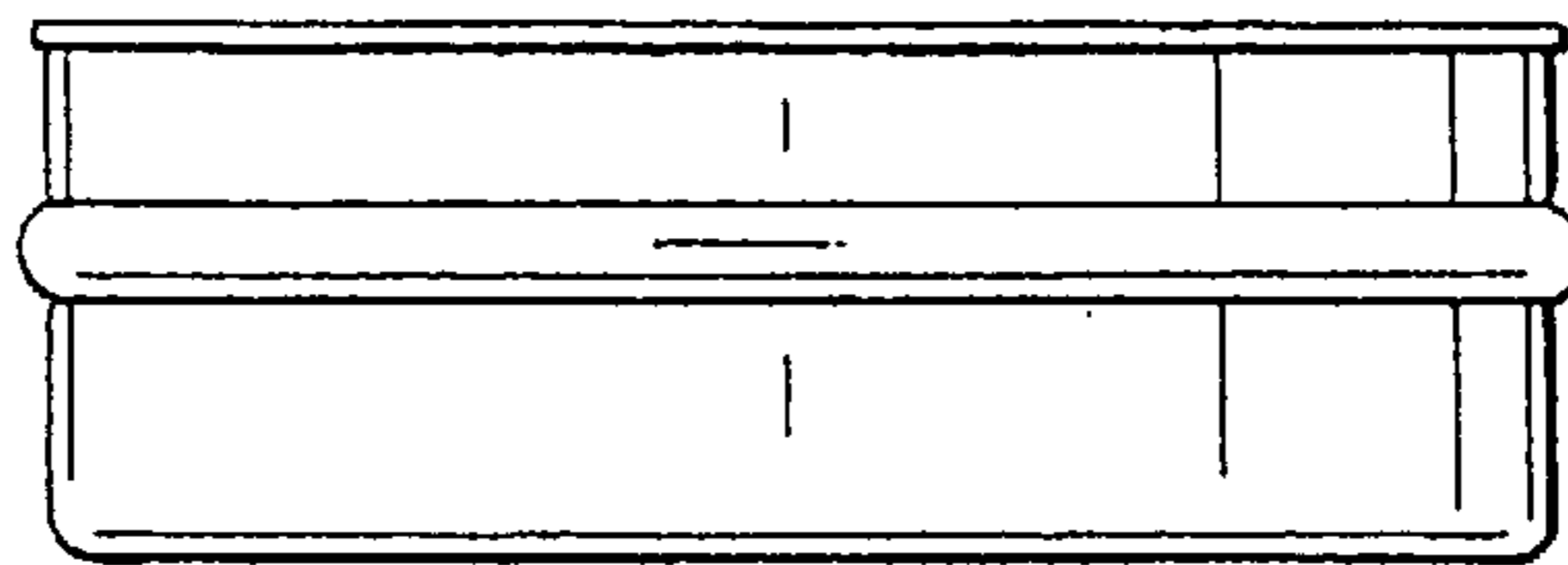


FIG. 12

