



US00D424743S

# United States Patent [19] Winter

[11] Patent Number: **Des. 424,743**

[45] Date of Patent: **\*\* May 9, 2000**

[54] **COMBINATION HEADBAND AND PONYTAIL HOLDER**

5,946,734 9/1999 Vogan ..... 2/412

[76] Inventor: **Dana Winter**, Rte. 7 Box 308,  
Lubbock, Tex. 79401

**FOREIGN PATENT DOCUMENTS**

785551 8/1935 France ..... 132/273  
634993 9/1936 Germany ..... 132/273

[\*\*] Term: **14 Years**

**OTHER PUBLICATIONS**

[21] Appl. No.: **29/103,255**

British patent document No. 112 of 1878 to Hubert (month unknown).

[22] Filed: **Apr. 12, 1999**

*Primary Examiner*—Terry A. Wallace

[51] **LOC (7) Cl.** ..... **28-03**

*Assistant Examiner*—C. Tuttle

[52] **U.S. Cl.** ..... **D28/41; D2/894**

*Attorney, Agent, or Firm*—Royston, Rayzor, Vickery, Novak & Druce, L.L.P.

[58] **Field of Search** ..... D28/39-41; D2/865,  
D2/866, 874-878, 881, 883, 894, 895;  
132/273, 275; 2/171, 174, 209.13, 209.14,  
311, 313, 321, 338, DIG. 11; 63/5.1, 5.2,  
11; D11/3-5, 19

[57] **CLAIM**

The ornamental design for the combination headband and ponytail holder, as shown and described.

[56] **References Cited**

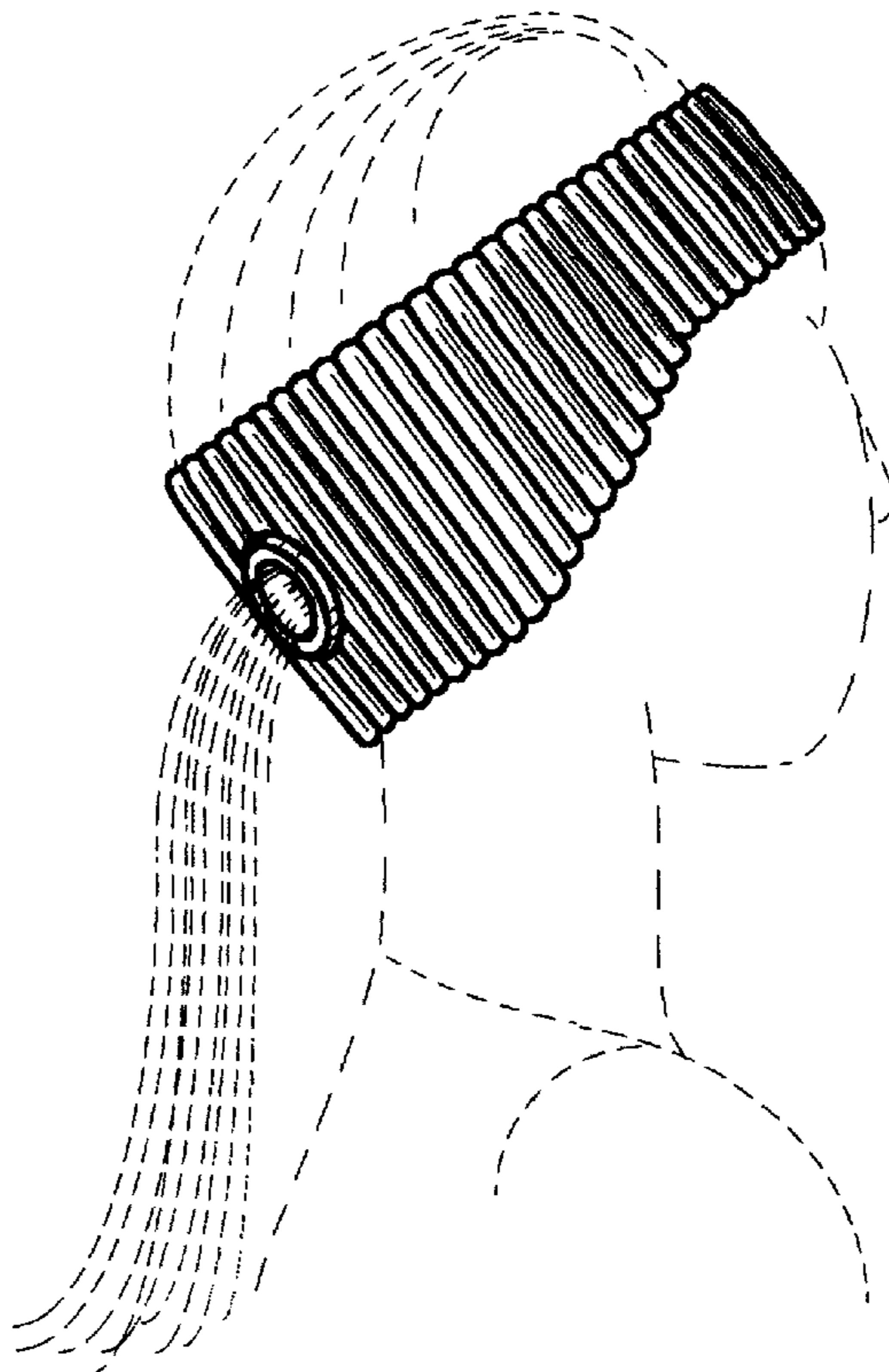
**DESCRIPTION**

**U.S. PATENT DOCUMENTS**

D. 171,562	2/1954	Towle	.....	D11/2
D. 225,131	11/1972	Zakarin	.....	D28/41
D. 256,568	8/1980	Young	.....	D11/25
D. 365,918	1/1996	Izegbu et al.	.....	D2/894
D. 402,082	12/1998	Lee	.....	D28/41
1,440,647	1/1923	Terry	.....	2/339
2,242,555	5/1941	Thurnherr	.....	2/174
4,998,544	3/1991	Obergfell	.....	132/212
5,598,585	2/1997	Stroup	.....	2/171
5,875,488	3/1999	Milani	.....	2/12
5,920,909	7/1999	Ellsworth et al.	.....	2/171

FIG. 1 is a perspective view of a combination headband and ponytail holder according to the present invention; FIG. 2 is a front elevational view thereof; FIG. 3 is a back elevational view thereof; FIG. 4 is a top and bottom plan view thereof; and, FIG. 5 is a left side elevational view thereof, the right side elevational view being symmetrical thereto. The broken line showing of the human form is for illustrative purposes only and forms no part of the claimed design.

**1 Claim, 2 Drawing Sheets**



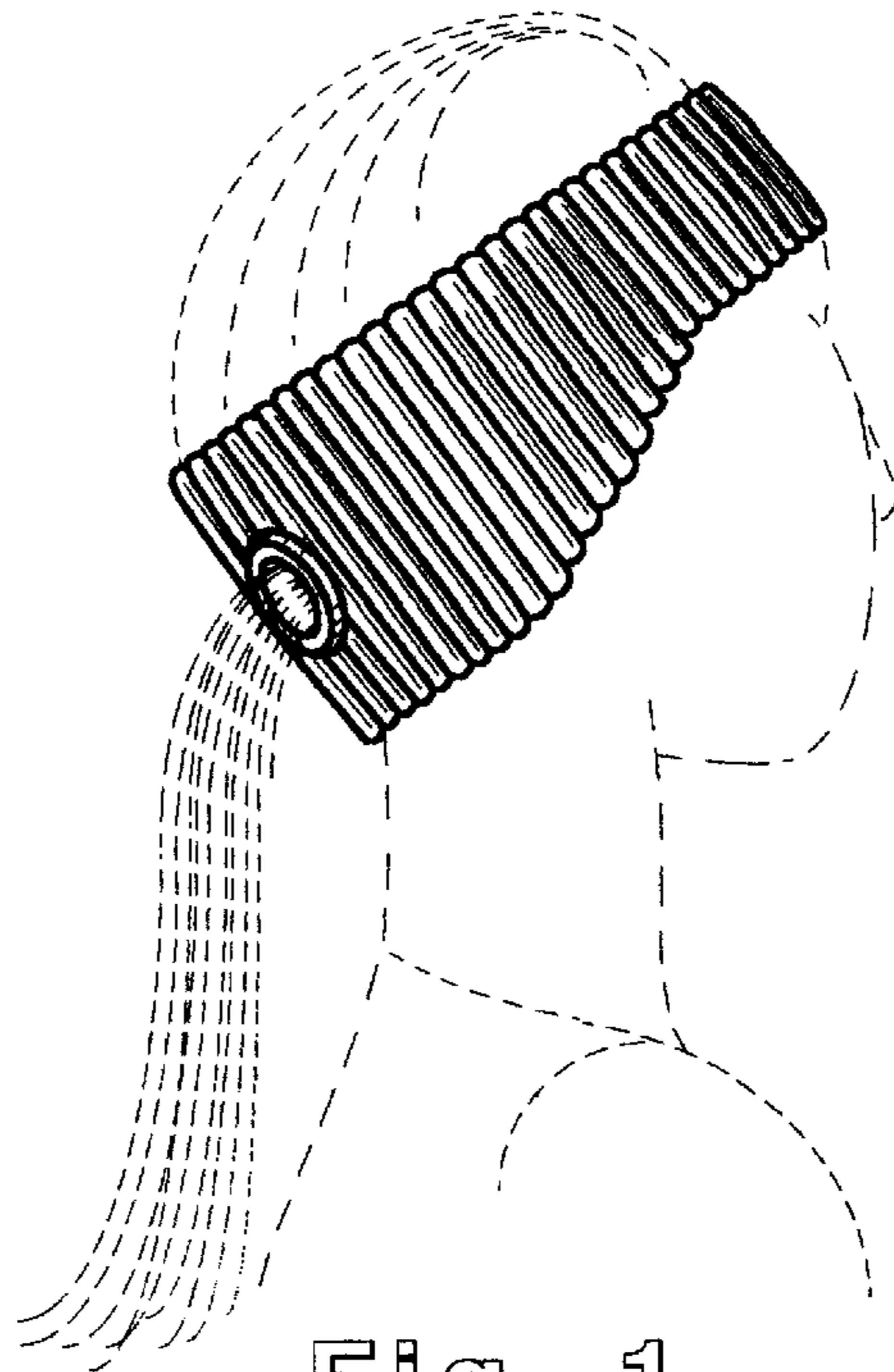


Fig. 1

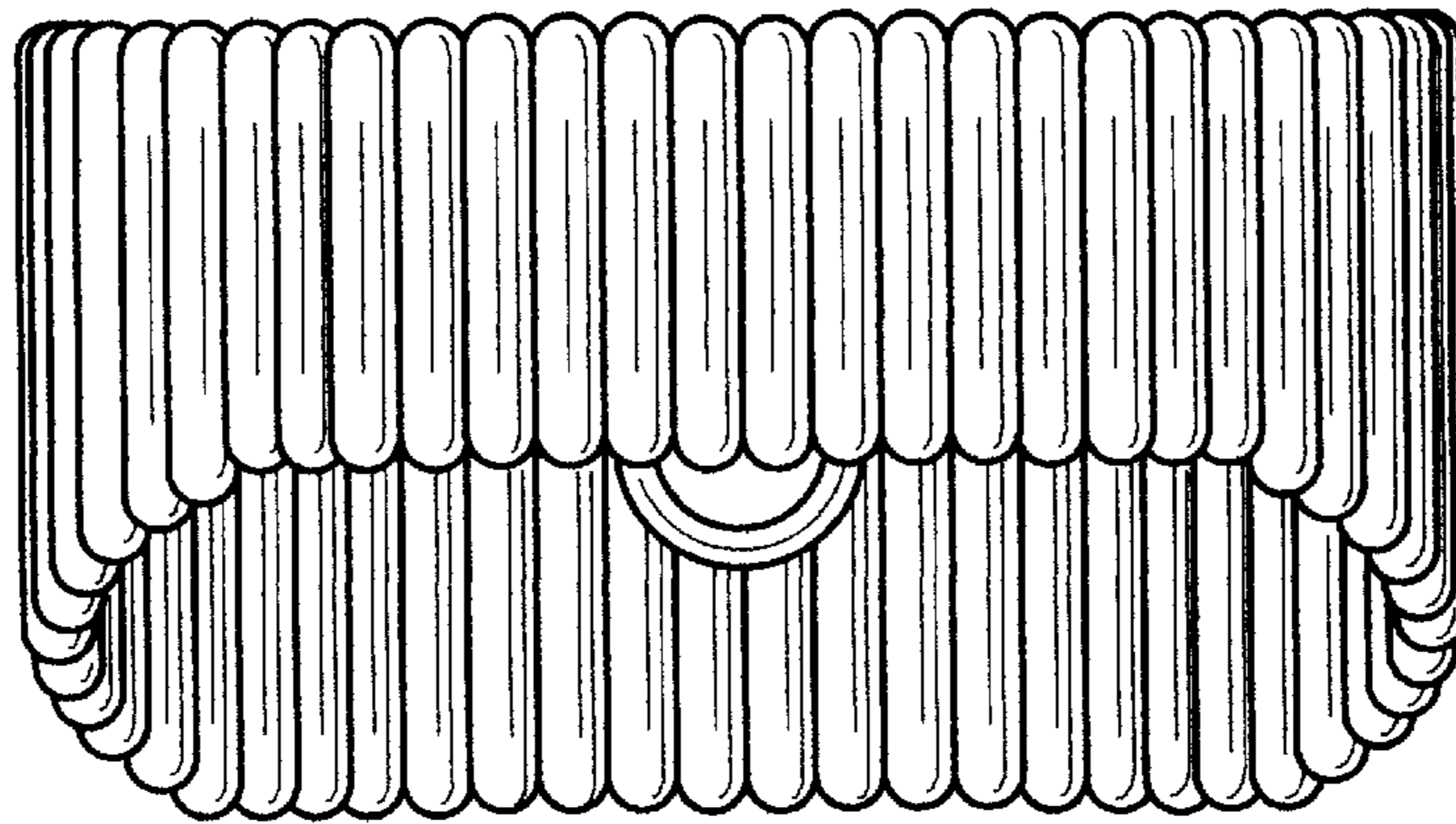


Fig. 2

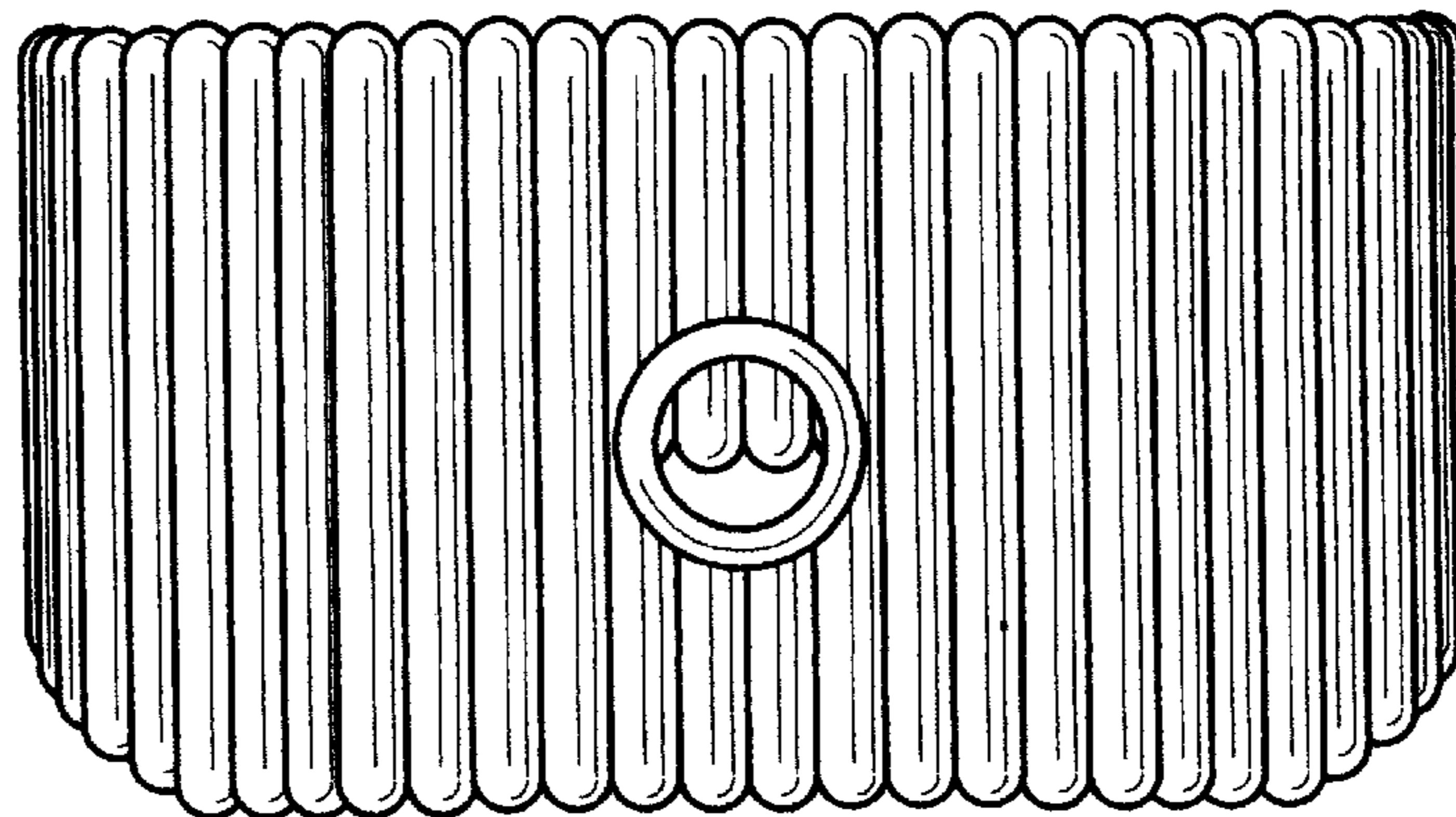


Fig. 3

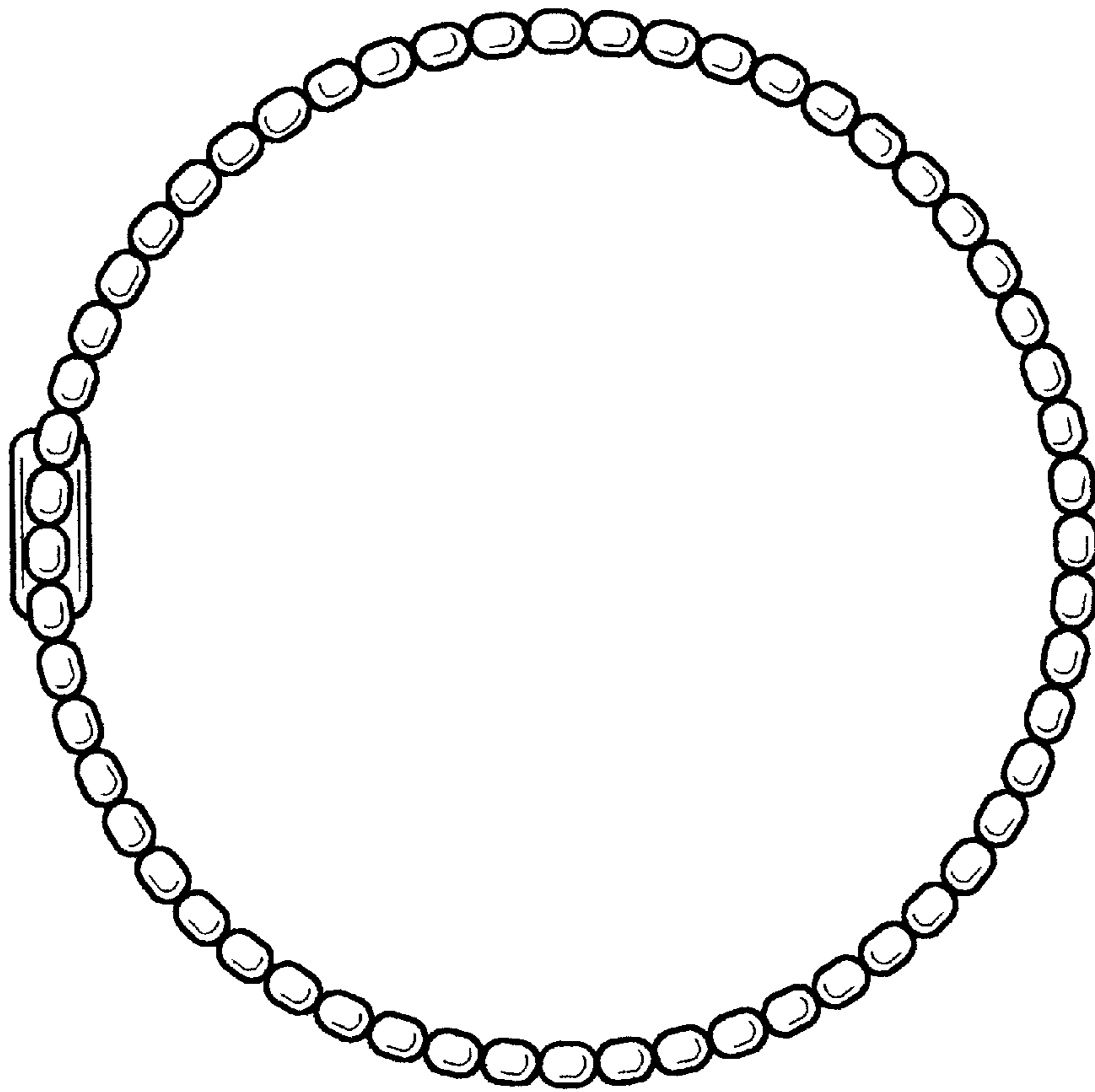


Fig. 4

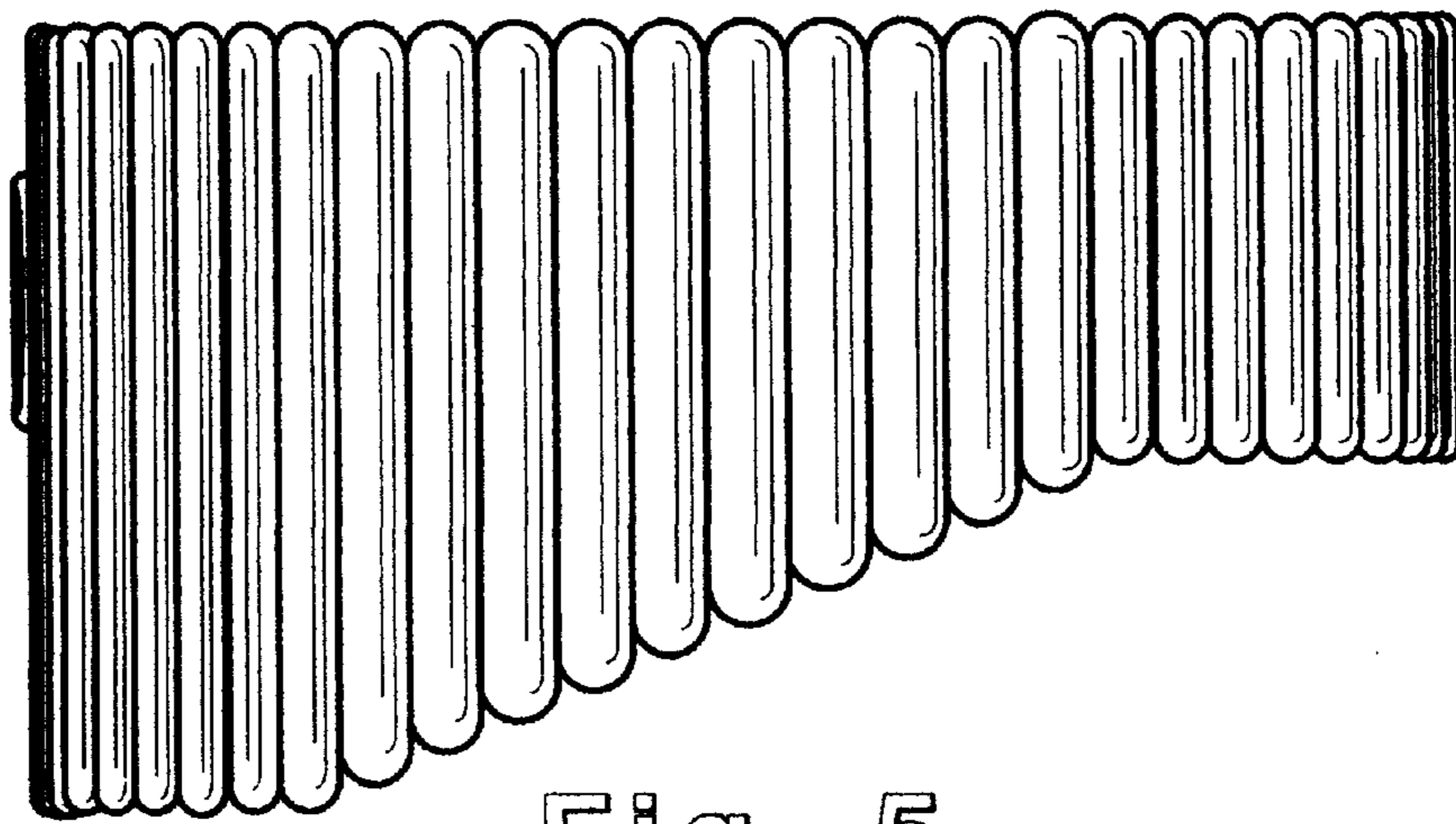


Fig. 5