



US00D424741S

United States Patent [19]
Rosenzweig

[11] **Patent Number: Des. 424,741**
[45] **Date of Patent: ** May 9, 2000**

[54] **BLOW DRYER ATTACHMENT**
[75] Inventor: **Jeffrey Rosenzweig**, Nassau County,
N.Y.
[73] Assignee: **J & D Brush Company, Inc.**,
Hauppauge, N.Y.
[**] Term: **14 Years**

D. 367,543 2/1996 Oberheim D28/15
D. 388,538 12/1997 Kip D28/18
5,715,847 2/1998 Rolf et al. 334/97 X

Primary Examiner—Terry A. Wallace
Attorney, Agent, or Firm—Howard C. Miskin, Esq.

[21] Appl. No.: **29/110,417**
[22] Filed: **Sep. 7, 1999**

[57] **CLAIM**
The ornamental design for a blow dryer attachment, as shown and described.

[51] **LOC (7) Cl.** **28-03**
[52] **U.S. Cl.** **D28/18**
[58] **Field of Search** D28/12-19; D4/103,
D4/114, 116, 119; 34/96-101; 392/379-385

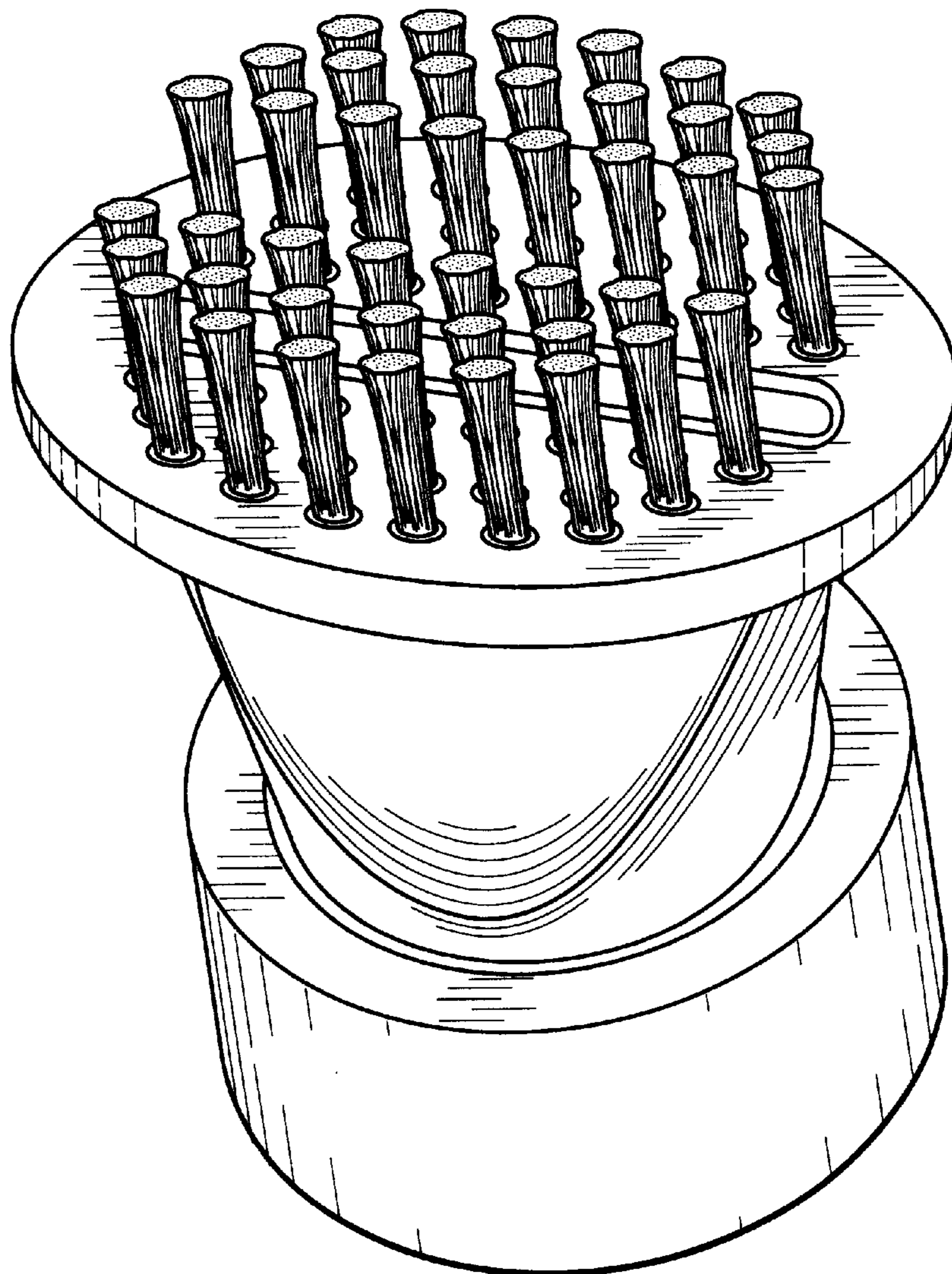
DESCRIPTION

FIG. 1 is a perspective view of a blow dryer attachment showing my new design;
FIG. 2 is a front elevational view;
FIG. 3 is a rear elevational view;
FIG. 4 is a top plan view;
FIG. 5 is a bottom plan view;
FIG. 6 is a left elevational view; and,
FIG. 7 is a right elevational view.

[56] **References Cited**
U.S. PATENT DOCUMENTS

D. 325,794 4/1992 Lerner D28/13

1 Claim, 4 Drawing Sheets



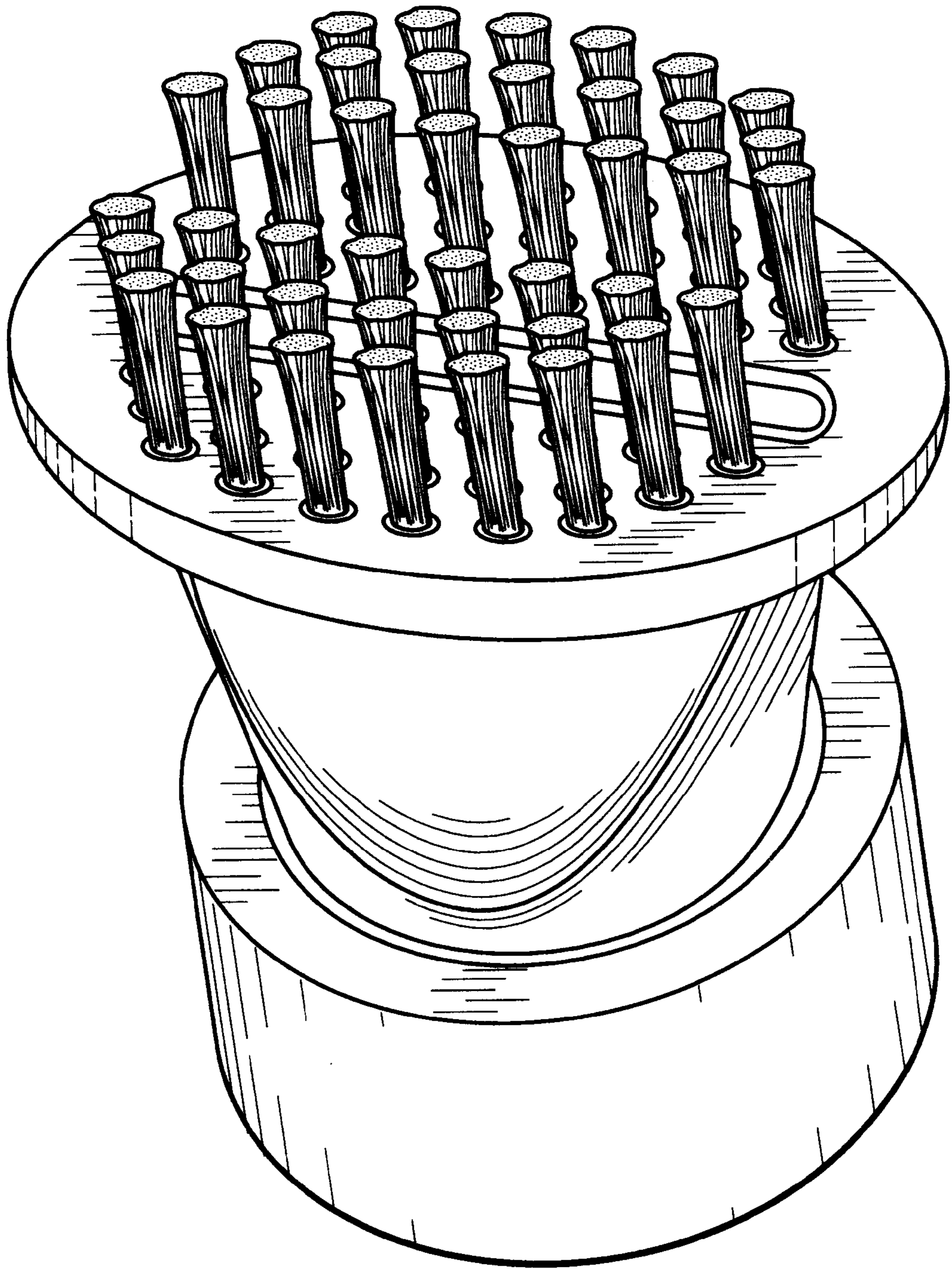


FIG. 1

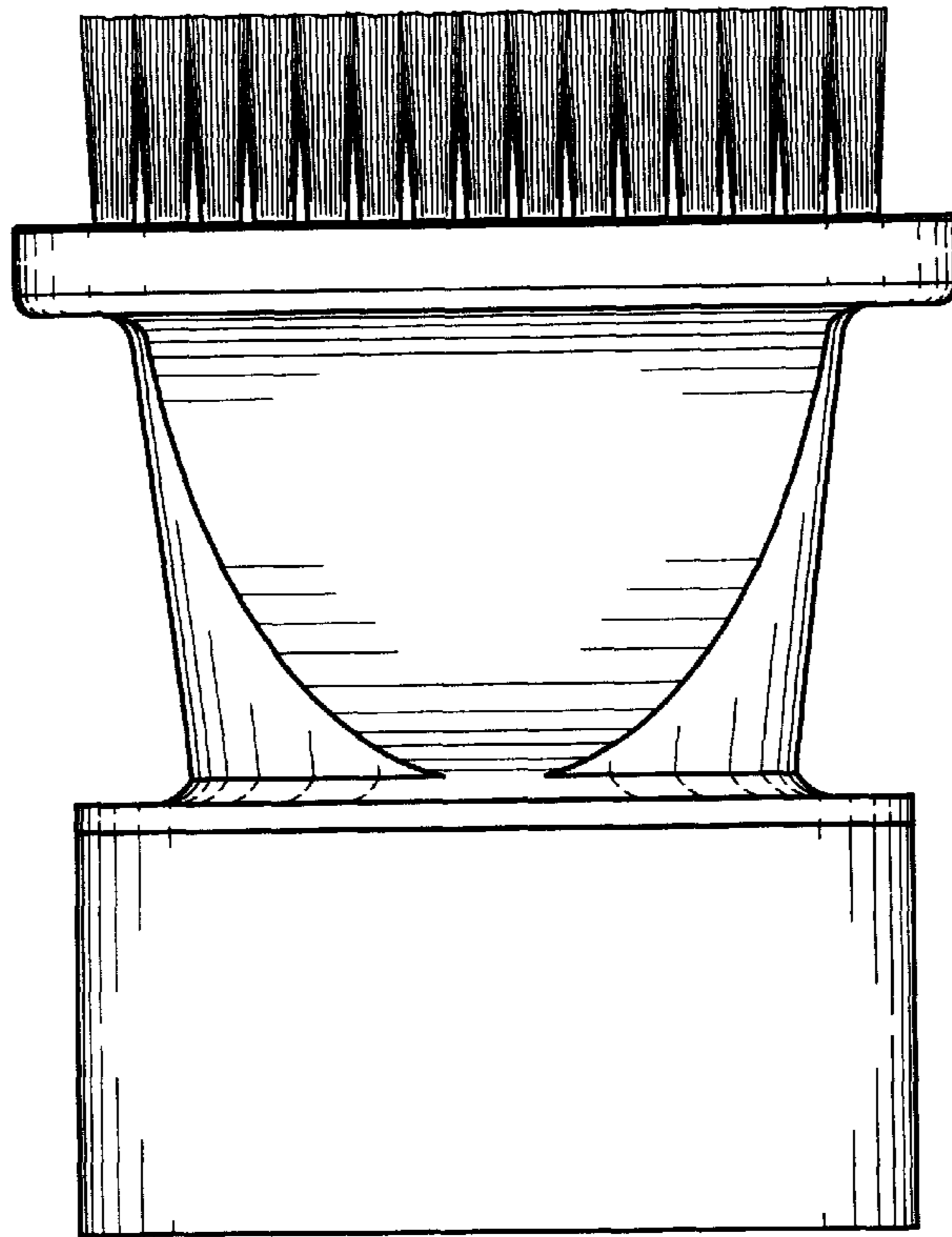


FIG. 2

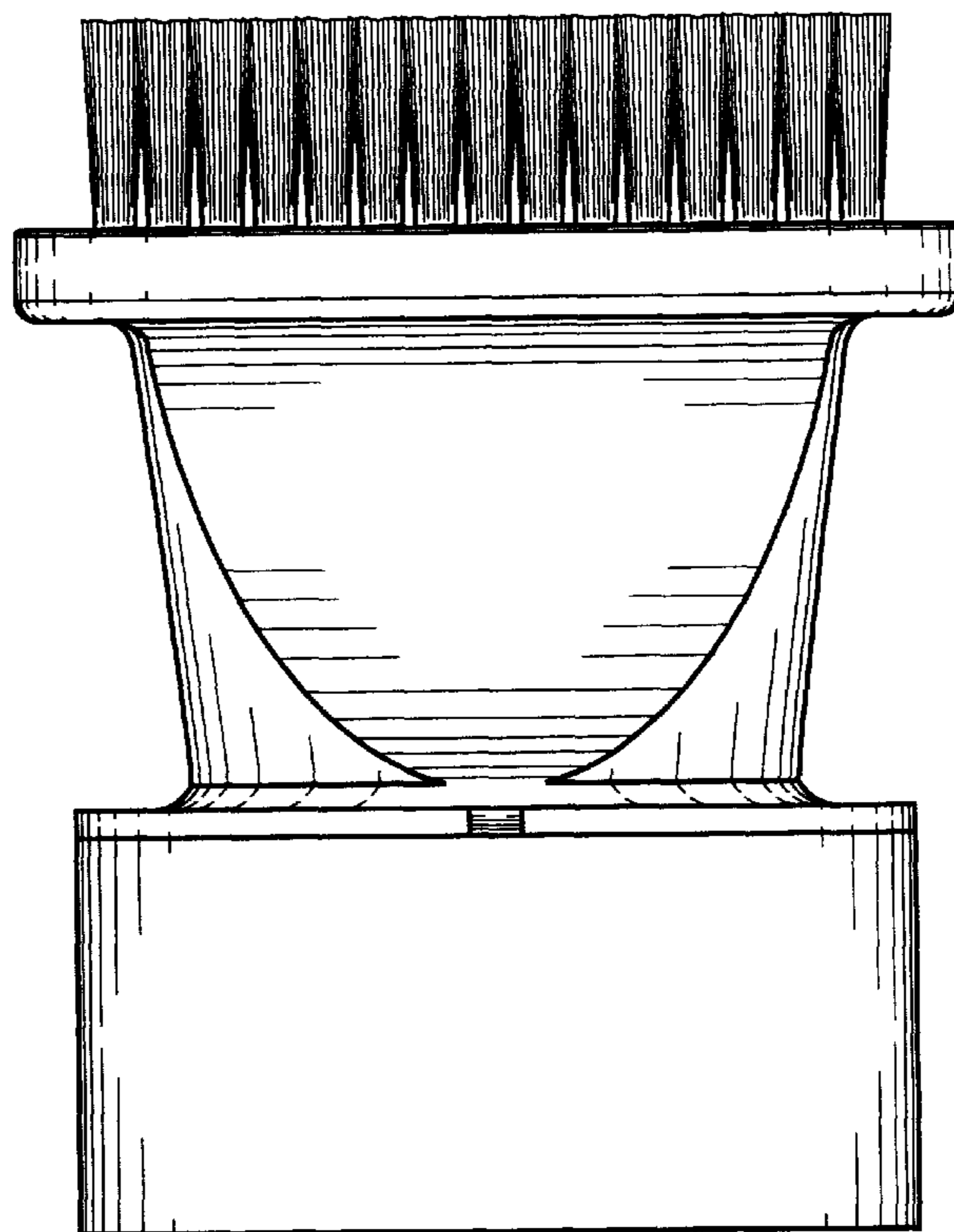


FIG. 3

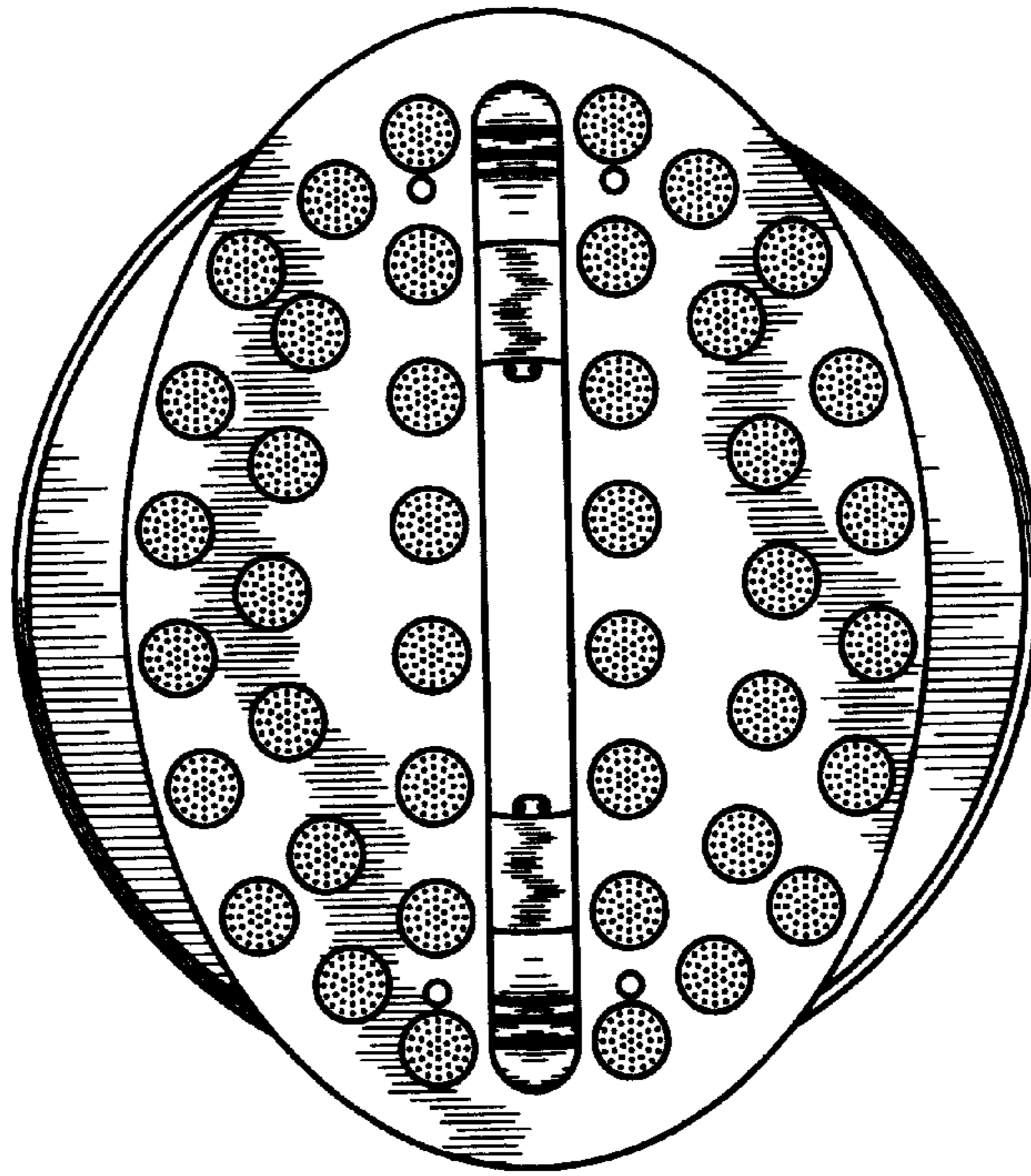


FIG. 4

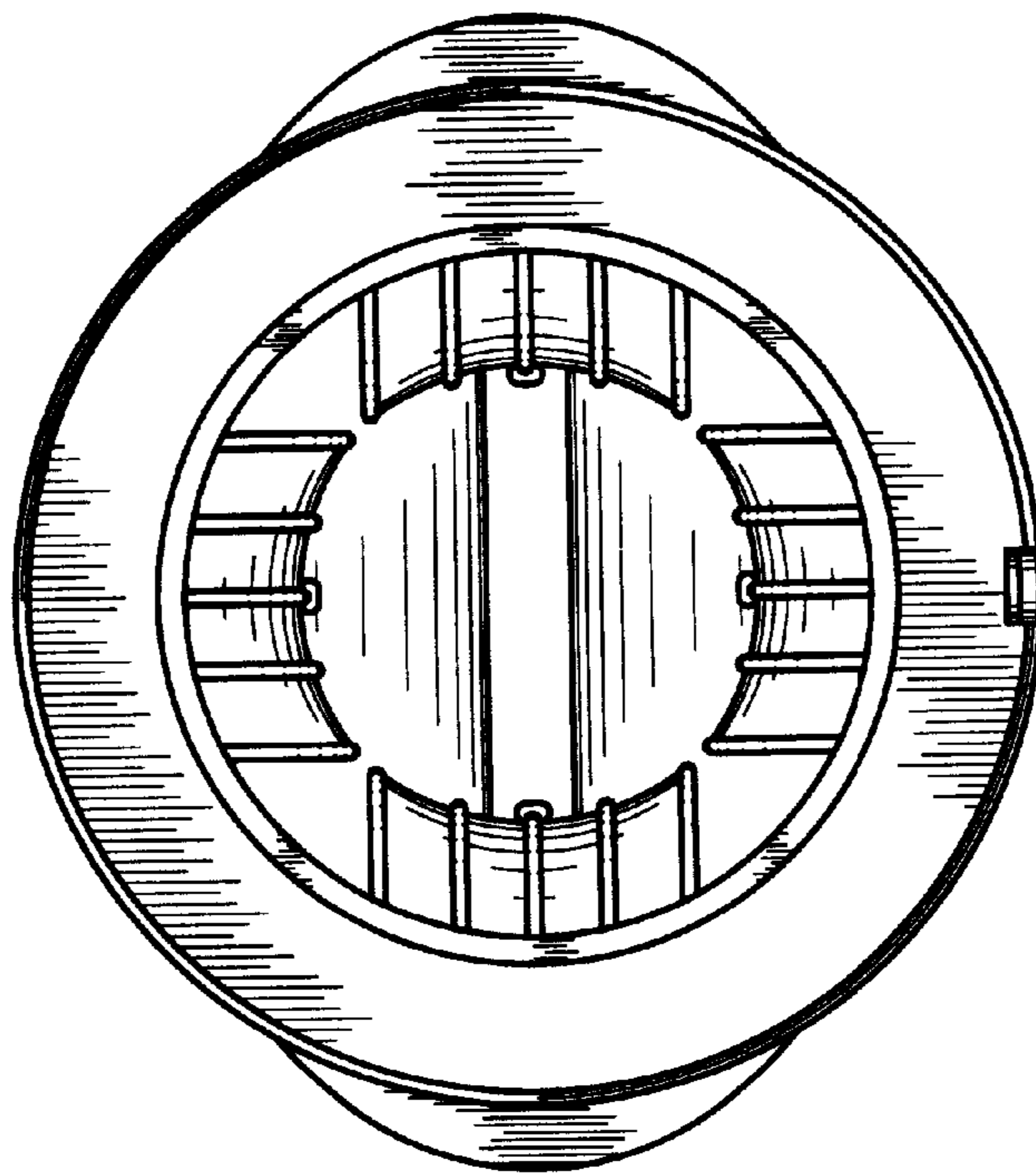


FIG. 5

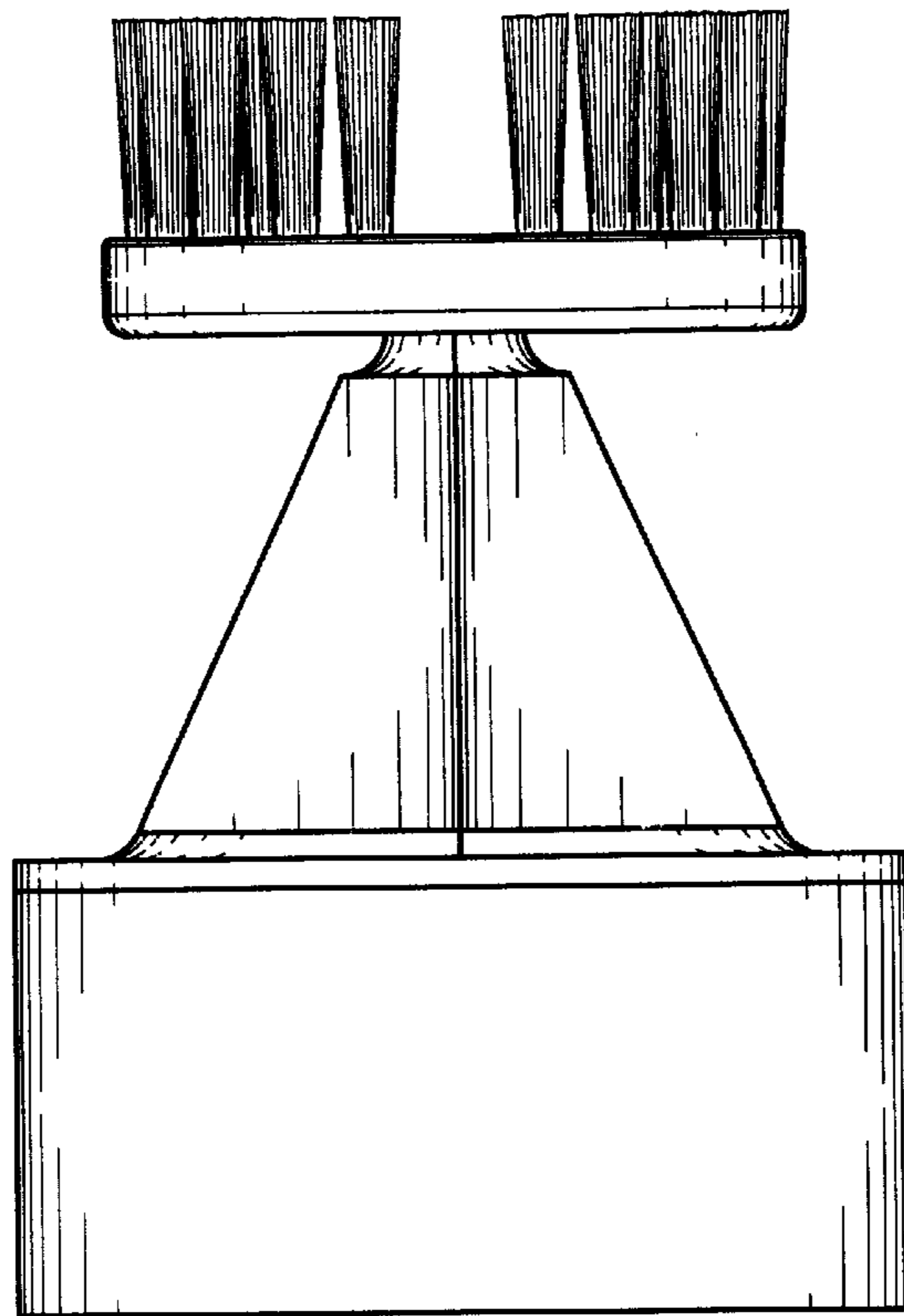


FIG. 6

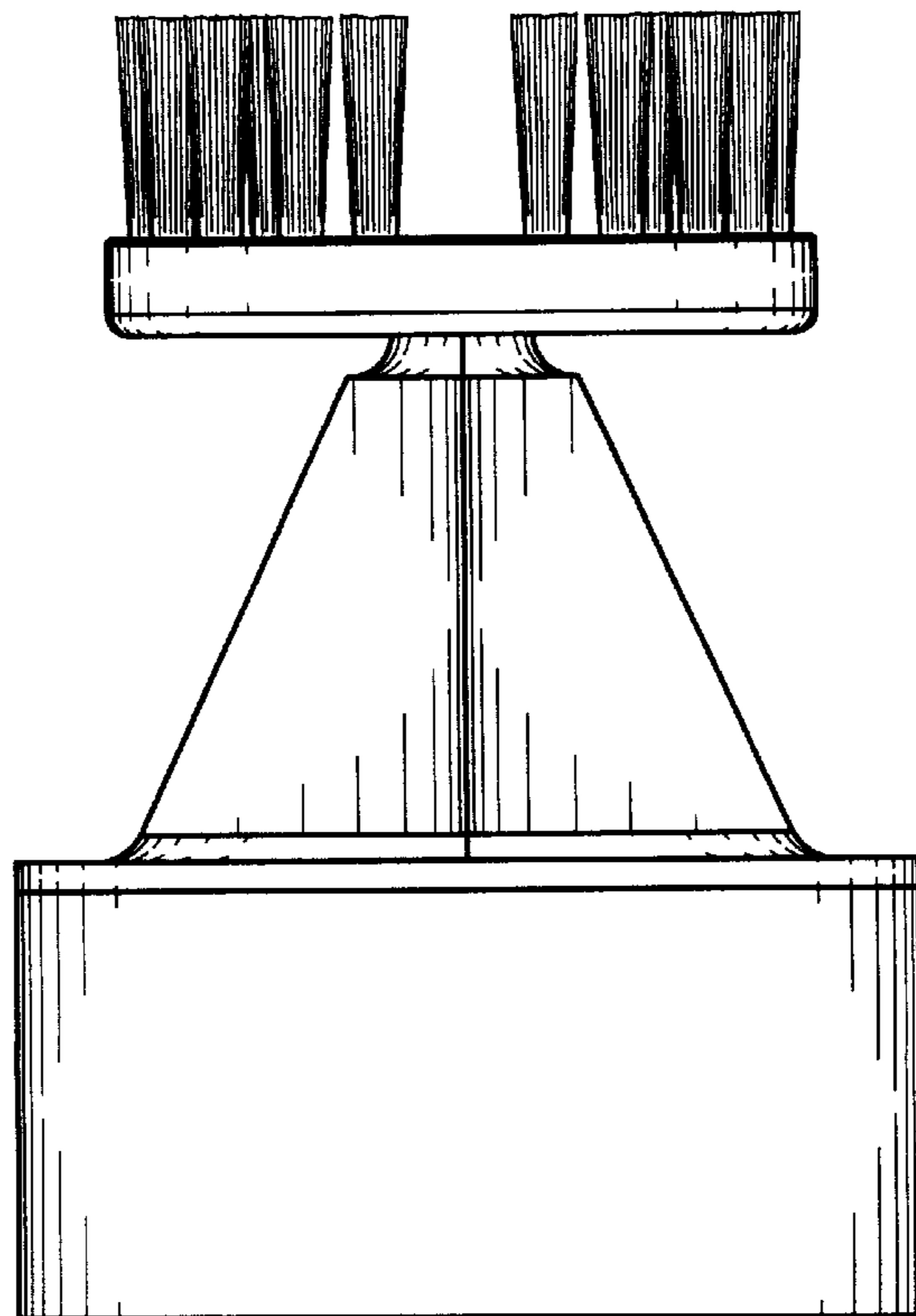


FIG. 7