



US00D424739S

**United States Patent** [19]  
**Ross**

[11] **Patent Number: Des. 424,739**

[45] **Date of Patent: \*\* May 9, 2000**

[54] **TIP FOR CIGARS AND CIGARETTES**

[75] Inventor: **William A. Ross**, Jesup, Ga.

[73] Assignee: **William Anthony Ross**, Dallas, N.C.

[\*\*] Term: **14 Years**

[21] Appl. No.: **29/077,385**

[22] Filed: **Sep. 19, 1997**

[51] **LOC (7) Cl.** ..... **27-02**

[52] **U.S. Cl.** ..... **D27/170**

[58] **Field of Search** ..... D27/183, 193,  
D27/172, 138, 170; 131/187, 190, 191,  
189, 198.1, 227, 175

[56] **References Cited**

**U.S. PATENT DOCUMENTS**

1,081,889	12/1913	Cole	.....	131/190
1,118,216	11/1914	Nelson	.....	131/175
1,186,727	6/1916	Anderson	.....	131/188
2,956,569	10/1960	Adams	.....	131/187
4,865,053	9/1989	Girona	.....	131/175
5,551,449	9/1996	Huang	.....	131/187

*Primary Examiner*—Susan J. Lucas  
*Assistant Examiner*—Jennifer Rivard  
*Attorney, Agent, or Firm*—EW&J Enterprises

[57] **CLAIM**

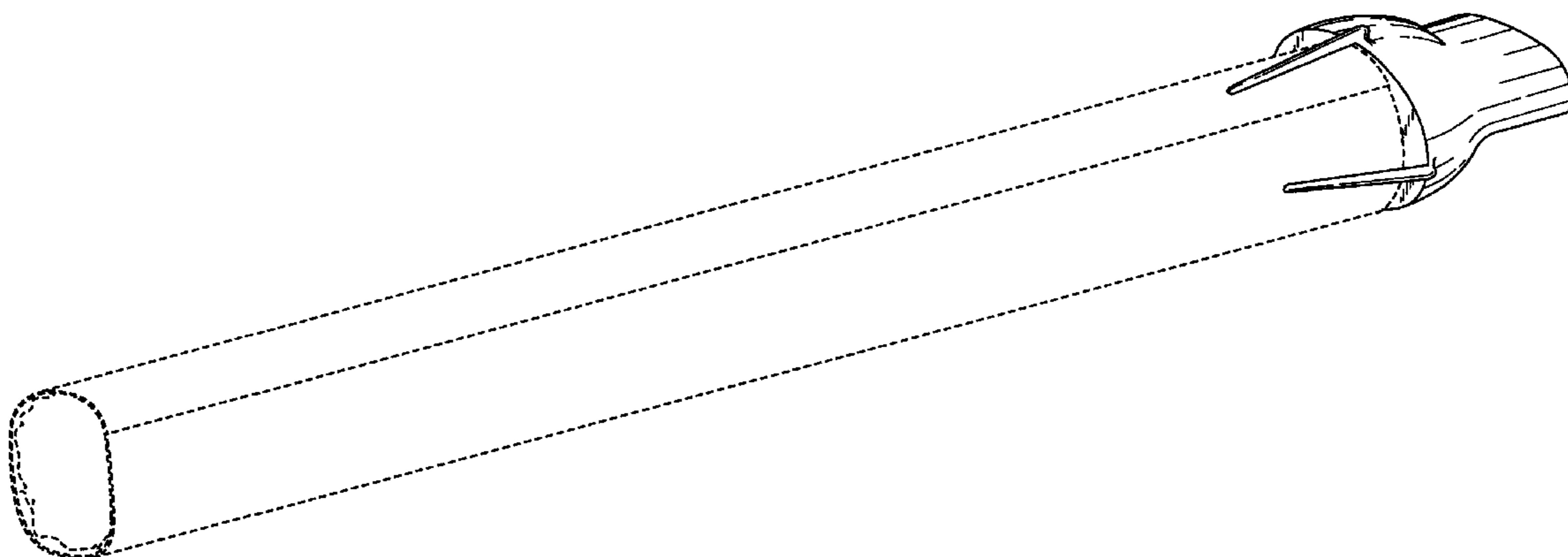
The ornamental design for a tip for cigars and cigarettes, as shown and described.

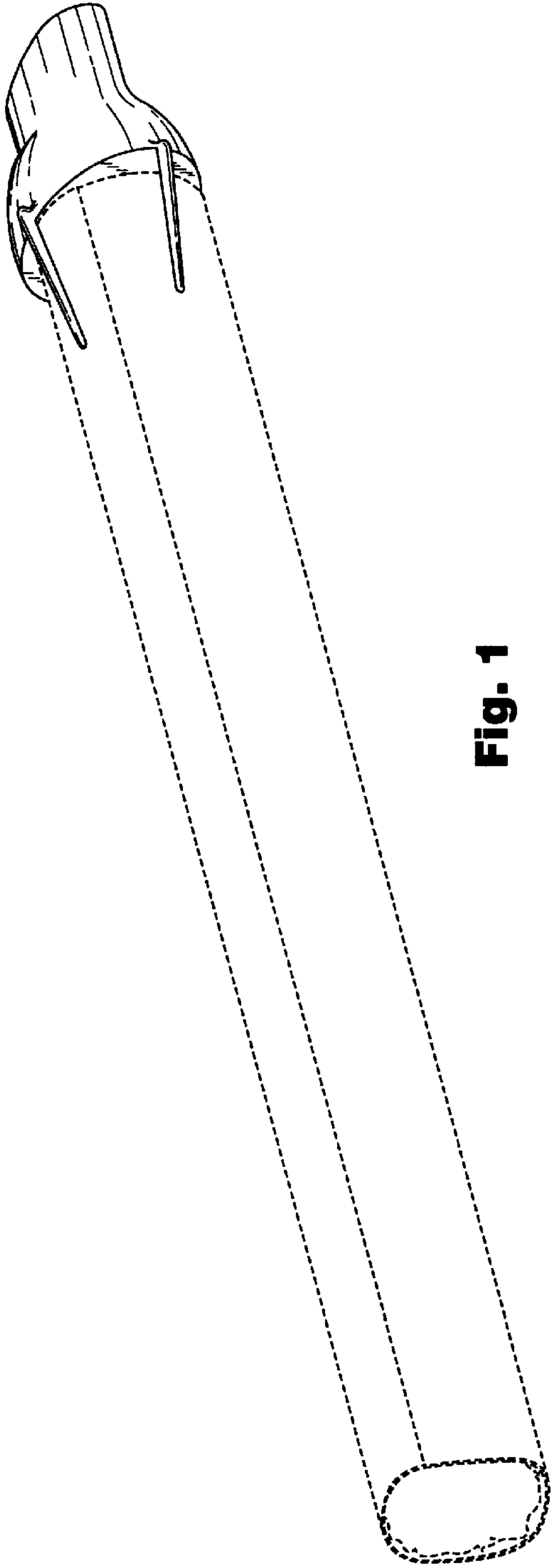
**DESCRIPTION**

FIG. 1 is a perspective view of a tip for cigars and cigarettes showing my new design;  
FIG. 2 is a perspective view thereof, shown without the environmental structure;  
FIG. 3 is a right side elevational view thereof, the opposite side being a mirror image;  
FIG. 4 is a front elevational view thereof;  
FIG. 5 is a rear elevational view thereof; and,  
FIG. 6 is a top plan view thereof, the bottom plan view being a mirror image.

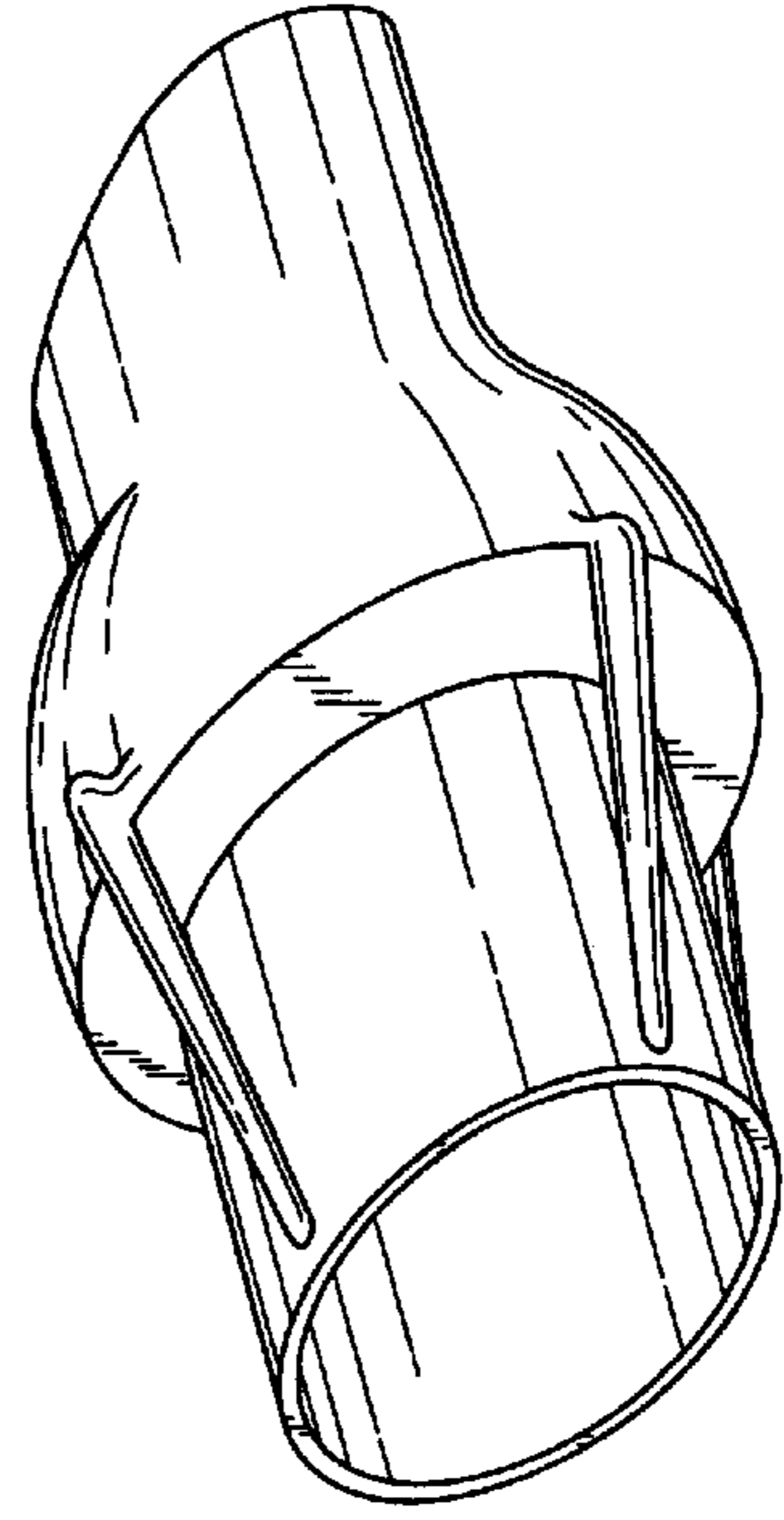
The broken line illustration shows environmental structure and forms no part of the claimed invention. The interior, partially disclosed surfaces are plain and unornamented.

**1 Claim, 2 Drawing Sheets**

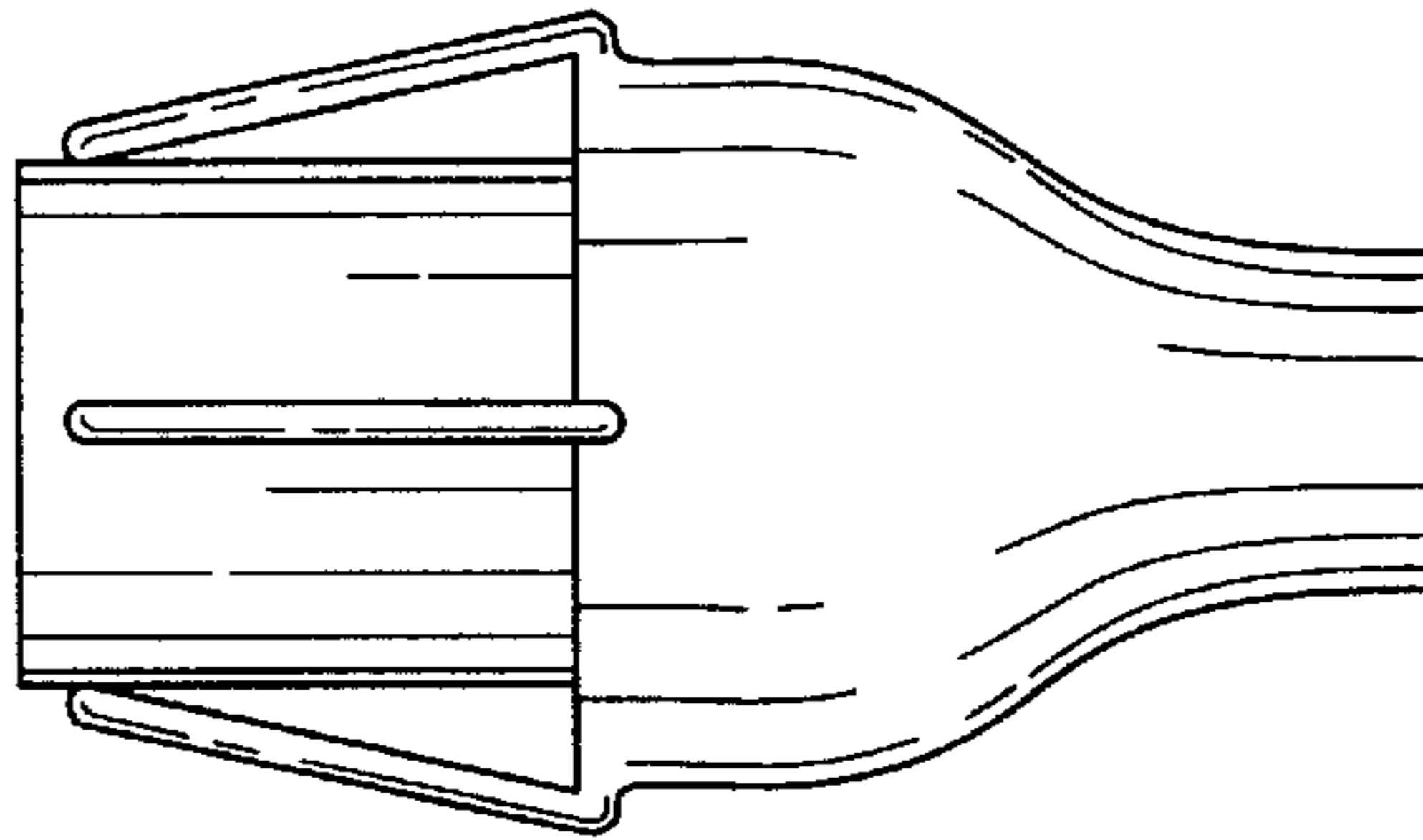




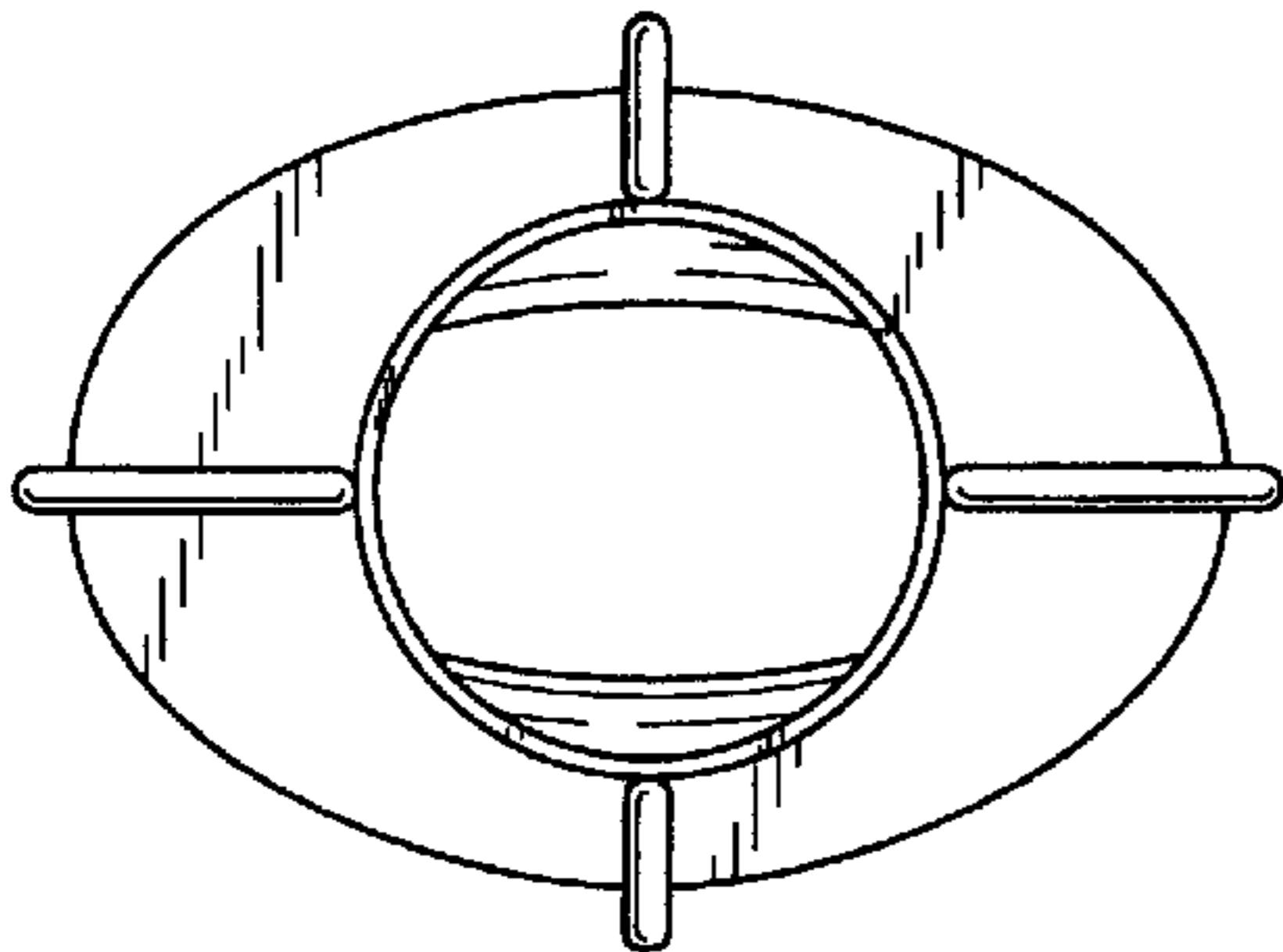
**Fig. 1**



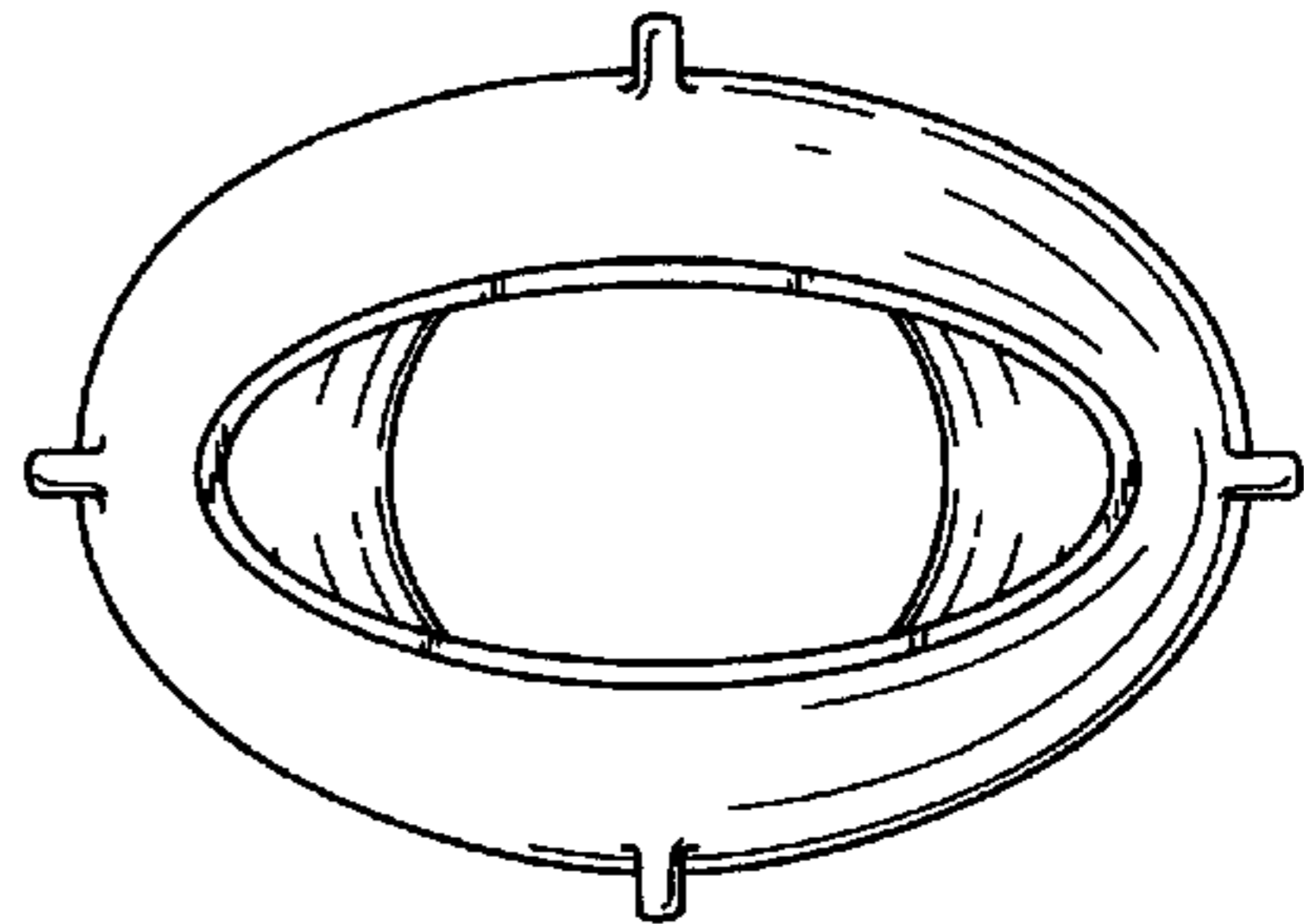
**Fig. 2**



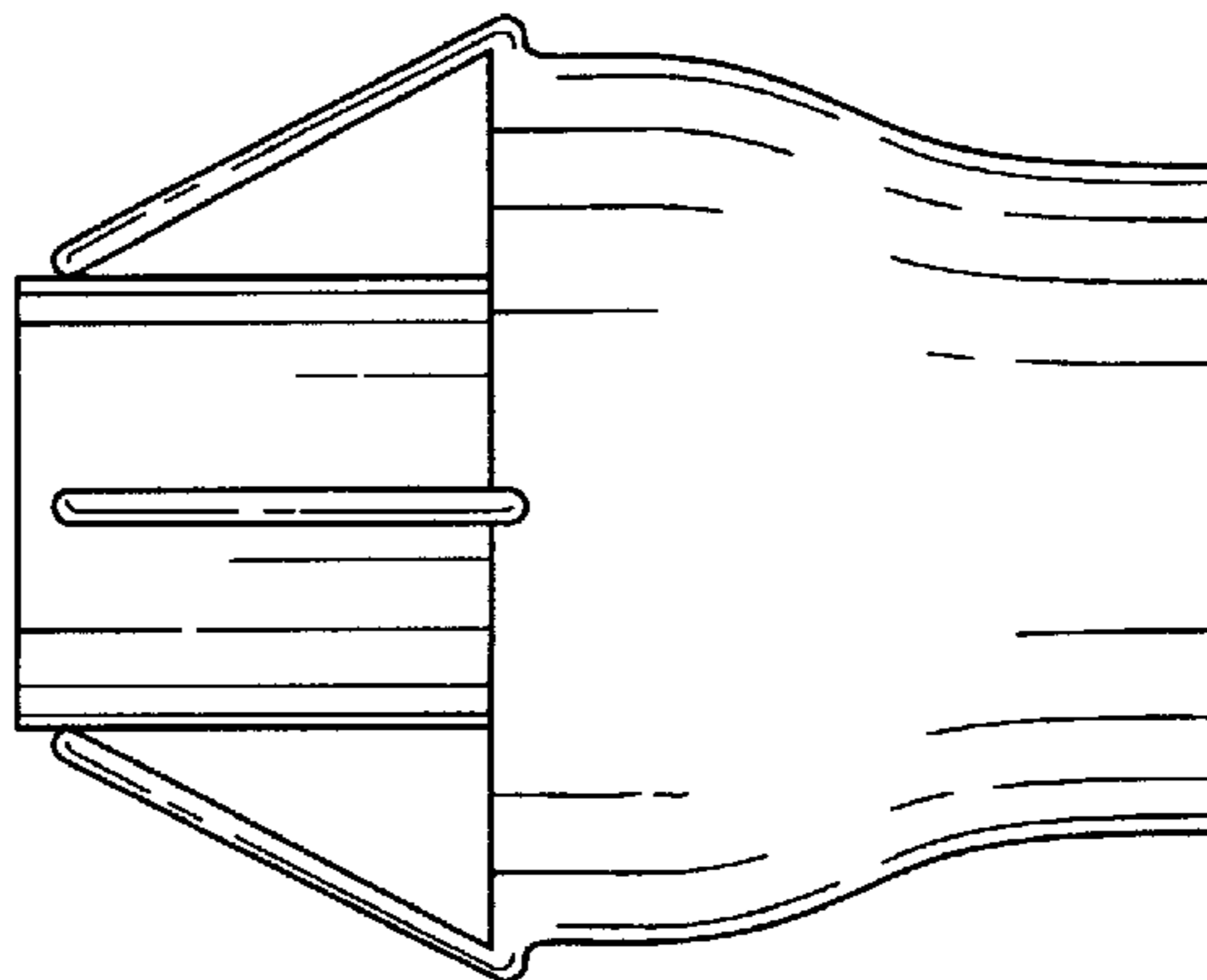
**Fig. 3**



**Fig. 4**



**Fig. 5**



**Fig. 6**