



US00D424738S

United States Patent [19]
Reidenbach

[11] **Patent Number: Des. 424,738**

[45] **Date of Patent: ** May 9, 2000**

[54] **CIGARETTE LIGHTER**

[76] Inventor: **Bryan L. Reidenbach**, 26 Northern Dr.,
Millersburg, Ohio 44654

[**] Term: **14 Years**

[21] Appl. No.: **29/105,826**

[22] Filed: **Jun. 3, 1999**

[51] **LOC (7) Cl.** **27-05**

[52] **U.S. Cl.** **D27/141; D27/148**

[58] **Field of Search** **D27/139, 141-161;**
431/125, 253, 129, 132, 138-143

[56] **References Cited**

U.S. PATENT DOCUMENTS

D. 86,955 5/1932 Griffin D15/9.1

OTHER PUBLICATIONS

Items A and B, Legend of the Lighter, p. 125.

Primary Examiner—Susan J. Lucas

Assistant Examiner—Jennifer Rivard

Attorney, Agent, or Firm—Sand & Sebolt

[57] **CLAIM**

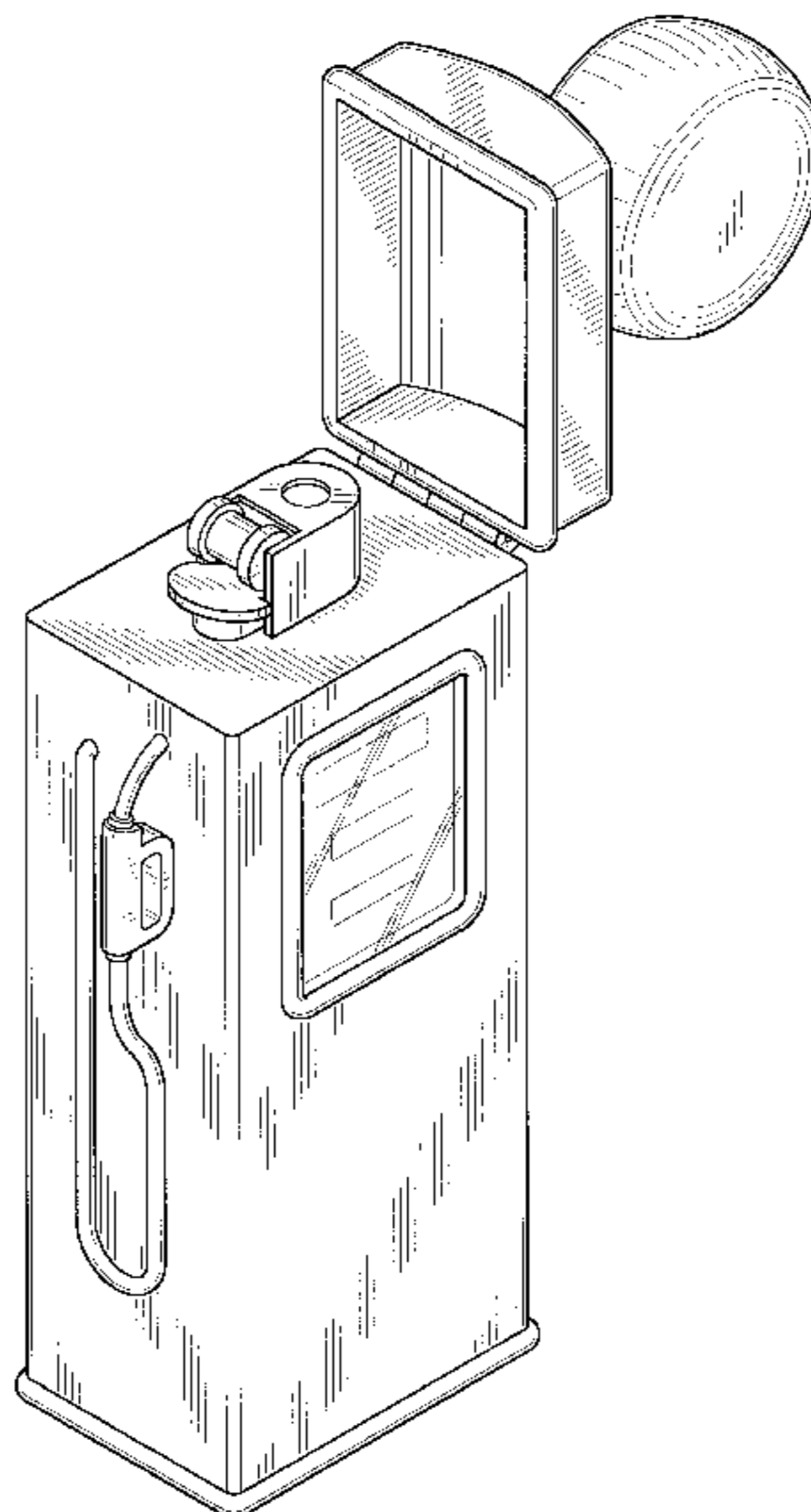
The ornamental design for the cigarette lighter, as shown and described.

DESCRIPTION

FIG. 1 is a perspective view of a first embodiment of the cigarette lighter of the present invention;
FIG. 2 is a left side elevational view thereof;
FIG. 3 is a front elevational view thereof;
FIG. 4 is a right side elevational view thereof;
FIG. 5 is a rear elevational view thereof;
FIG. 6 is a top plan view thereof;
FIG. 7 is a bottom view thereof;
FIG. 8 is a front perspective view thereof;
FIG. 9 is a front perspective view of a second embodiment of the cigarette lighter of the present invention;

FIG. 10 is a left side elevational view thereof;
FIG. 11 is a front elevational view thereof;
FIG. 12 is a right side elevational view thereof;
FIG. 13 is a rear elevational view thereof;
FIG. 14 is a top plan view thereof;
FIG. 15 is a bottom view thereof;
FIG. 16 is a front perspective view of a third embodiment of the cigarette lighter of the present invention;
FIG. 17 is a left side elevational view thereof;
FIG. 18 is a front elevational view thereof;
FIG. 19 is a right side elevational view thereof;
FIG. 20 is a rear elevational view thereof;
FIG. 21 is a top plan view thereof;
FIG. 22 is a bottom view thereof;
FIG. 23 is a perspective view of a fourth embodiment of the cigarette lighter of the present invention;
FIG. 24 is a left side elevational view thereof;
FIG. 25 is a front elevational view thereof;
FIG. 26 is a right side elevational view thereof;
FIG. 27 is a rear elevational view thereof;
FIG. 28 is a top plan view thereof;
FIG. 29 is a bottom view thereof;
FIG. 30 is a front perspective view thereof;
FIG. 31 is a front perspective view of a fifth embodiment of the cigarette lighter of the present invention;
FIG. 32 is a left side elevational view thereof;
FIG. 33 is a front elevational view thereof;
FIG. 34 is a right side elevational view thereof;
FIG. 35 is a rear elevational view thereof;
FIG. 36 is a top plan view thereof;
FIG. 37 is a bottom view thereof;
FIG. 38 is a front perspective view of a sixth embodiment of the cigarette lighter of the present invention;
FIG. 39 is a left side elevational view thereof;
FIG. 40 is a front elevational view thereof;
FIG. 41 is a right side elevational view thereof;
FIG. 42 is a rear elevational view thereof;
FIG. 43 is a top plan thereof; and,
FIG. 44 is a bottom view thereof.

1 Claim, 26 Drawing Sheets



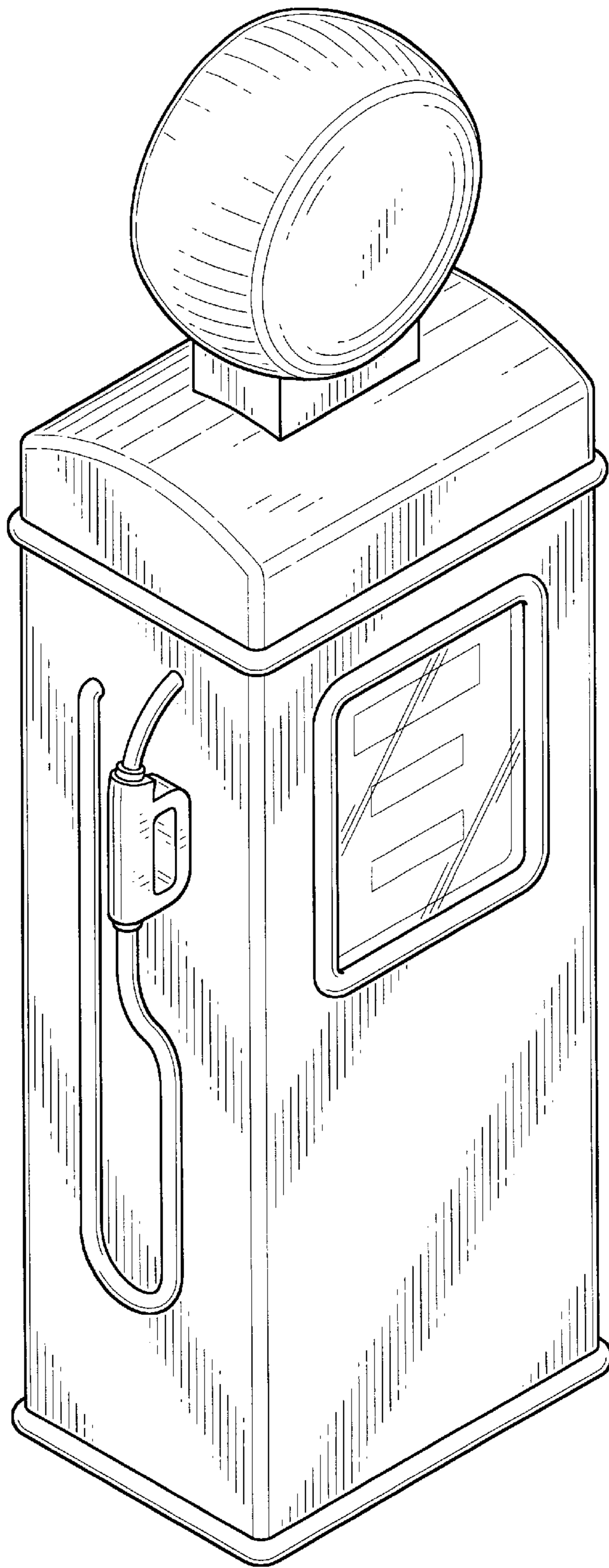


FIG-1

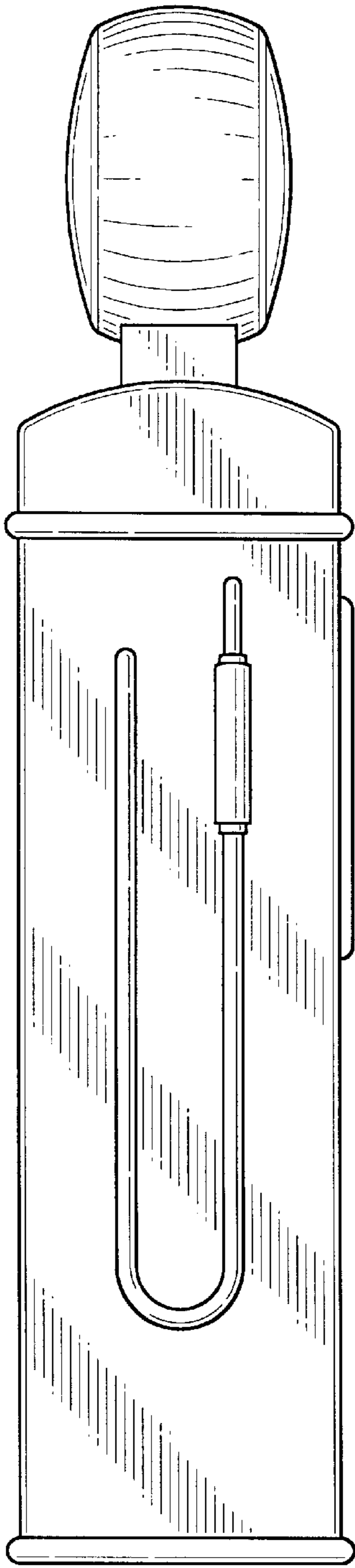


FIG-2

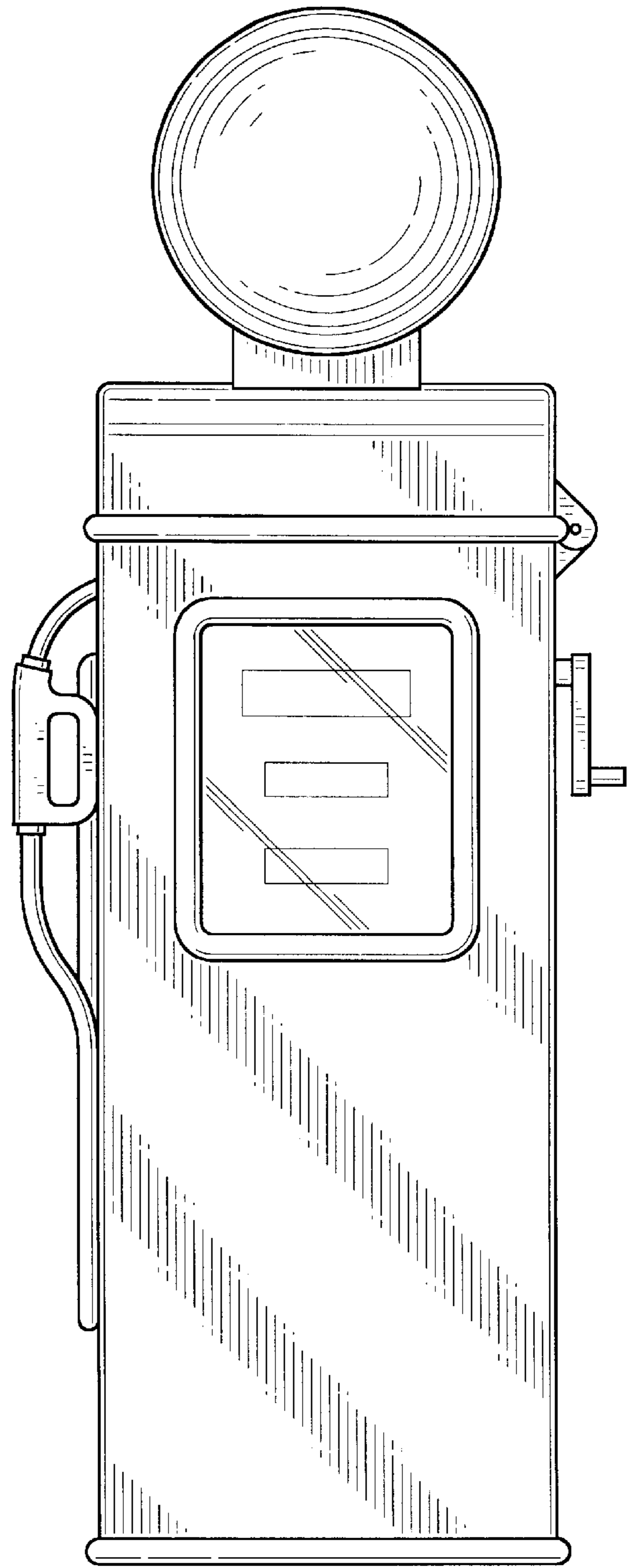


FIG-3

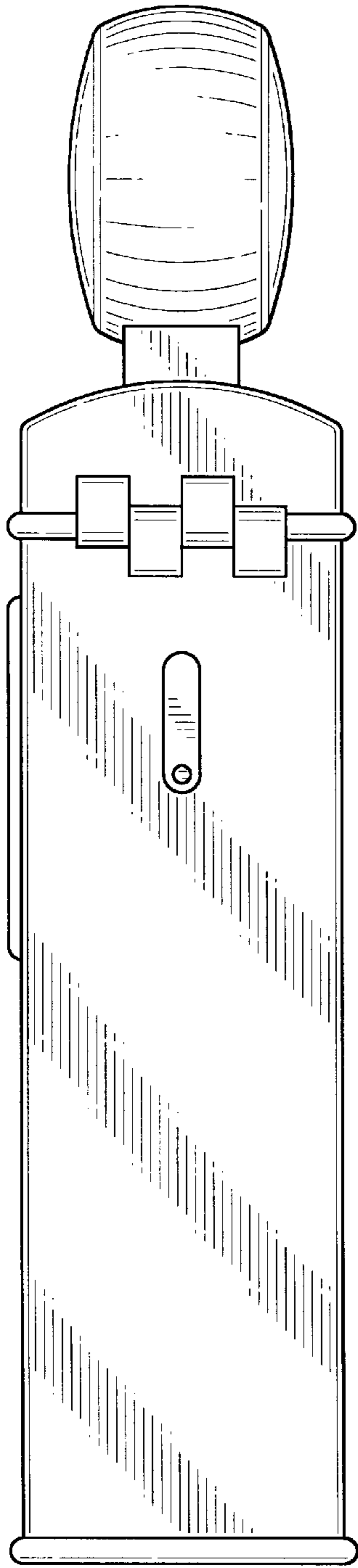


FIG-4

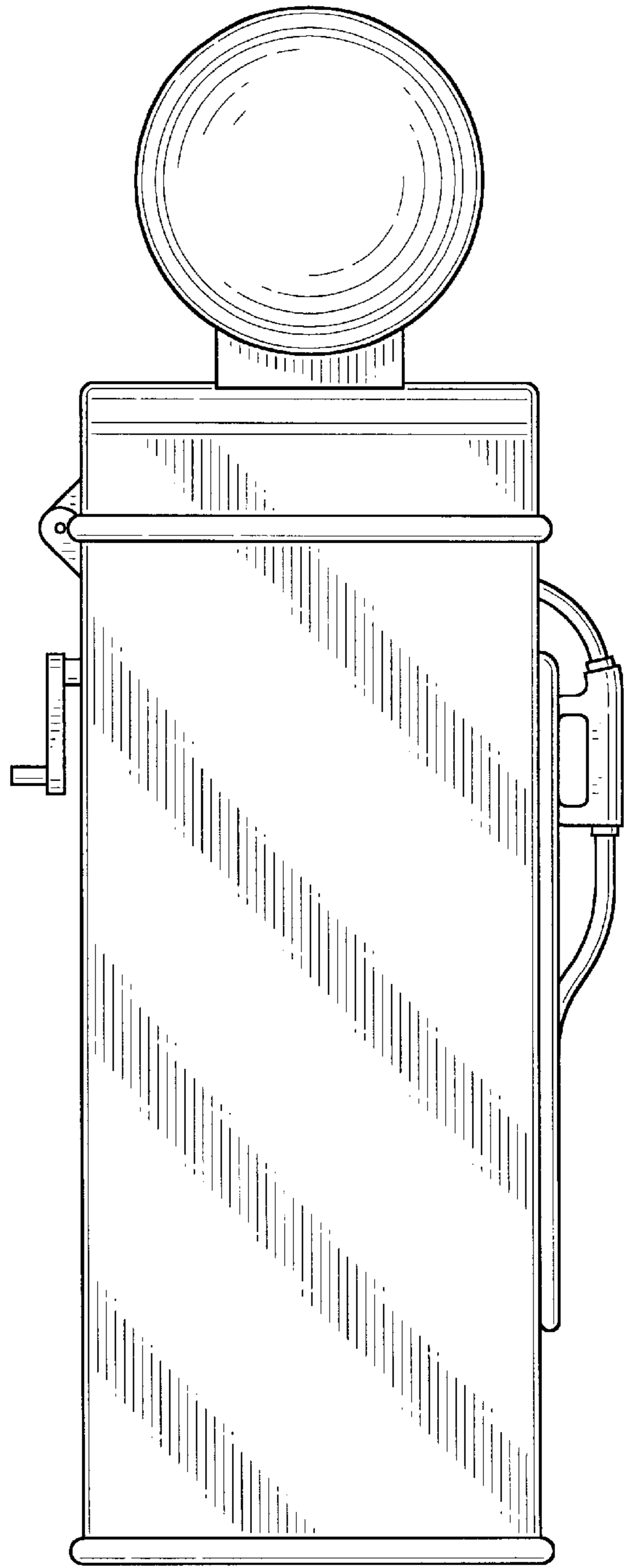


FIG-5

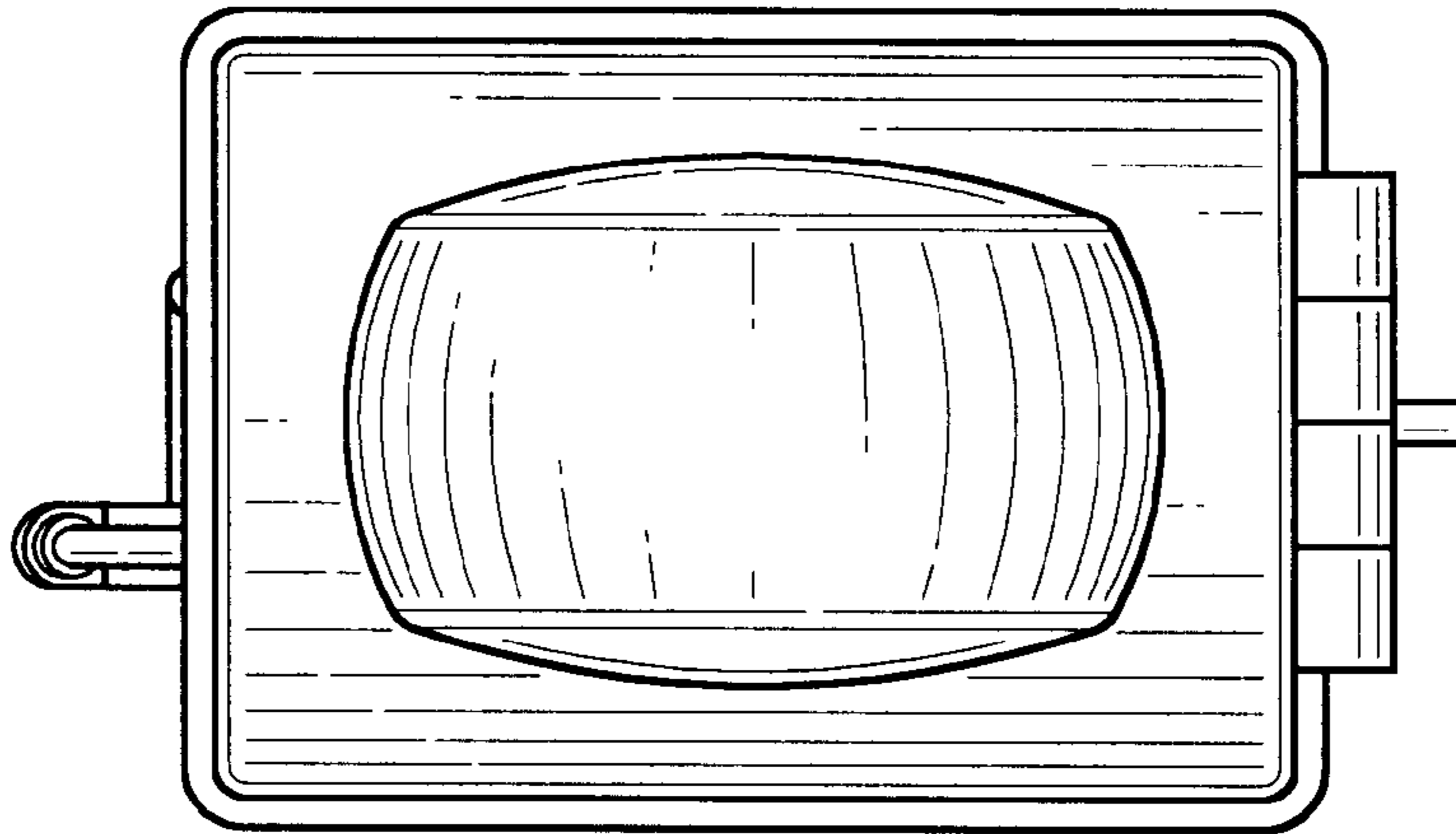


FIG-6

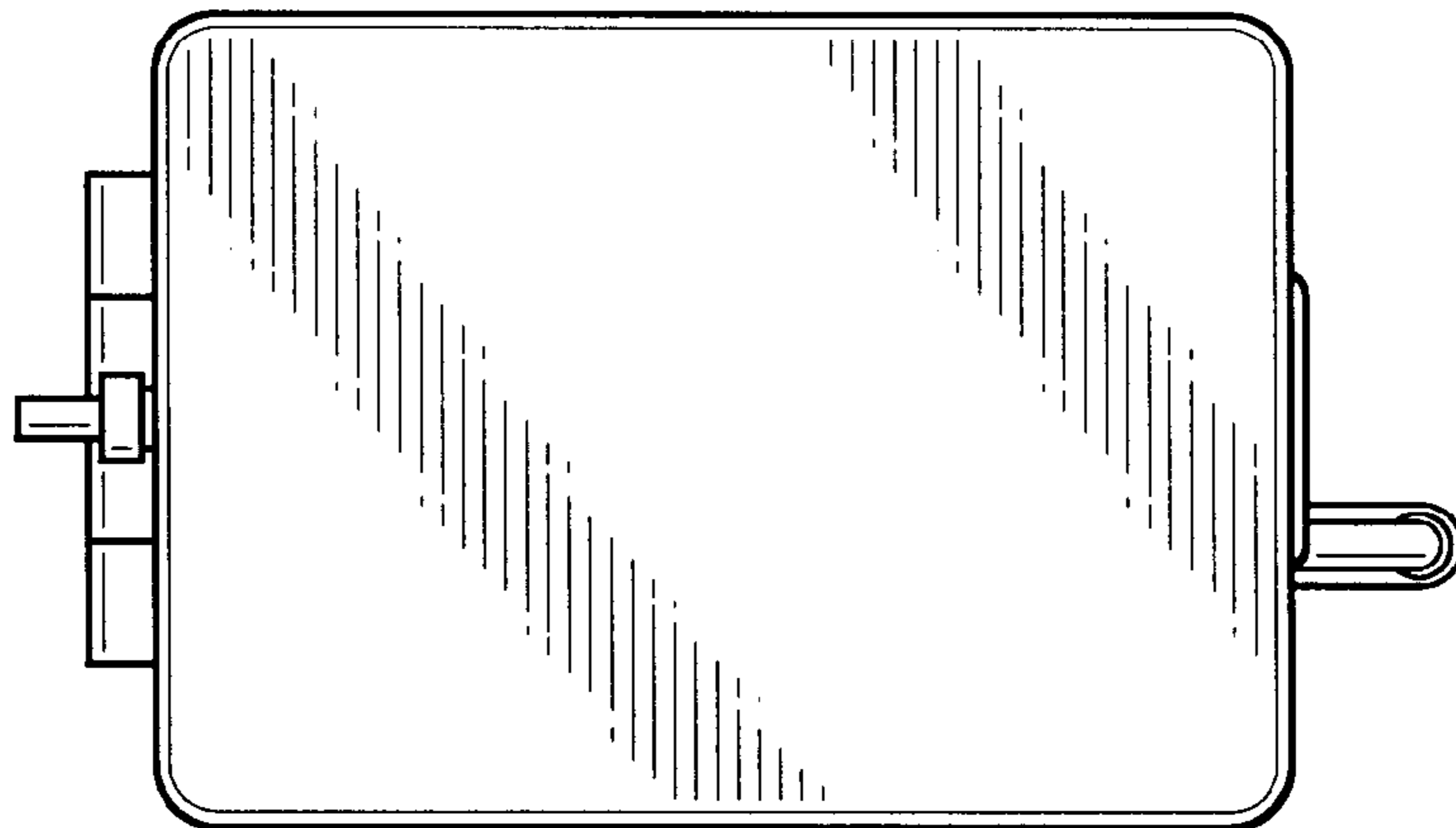


FIG-7

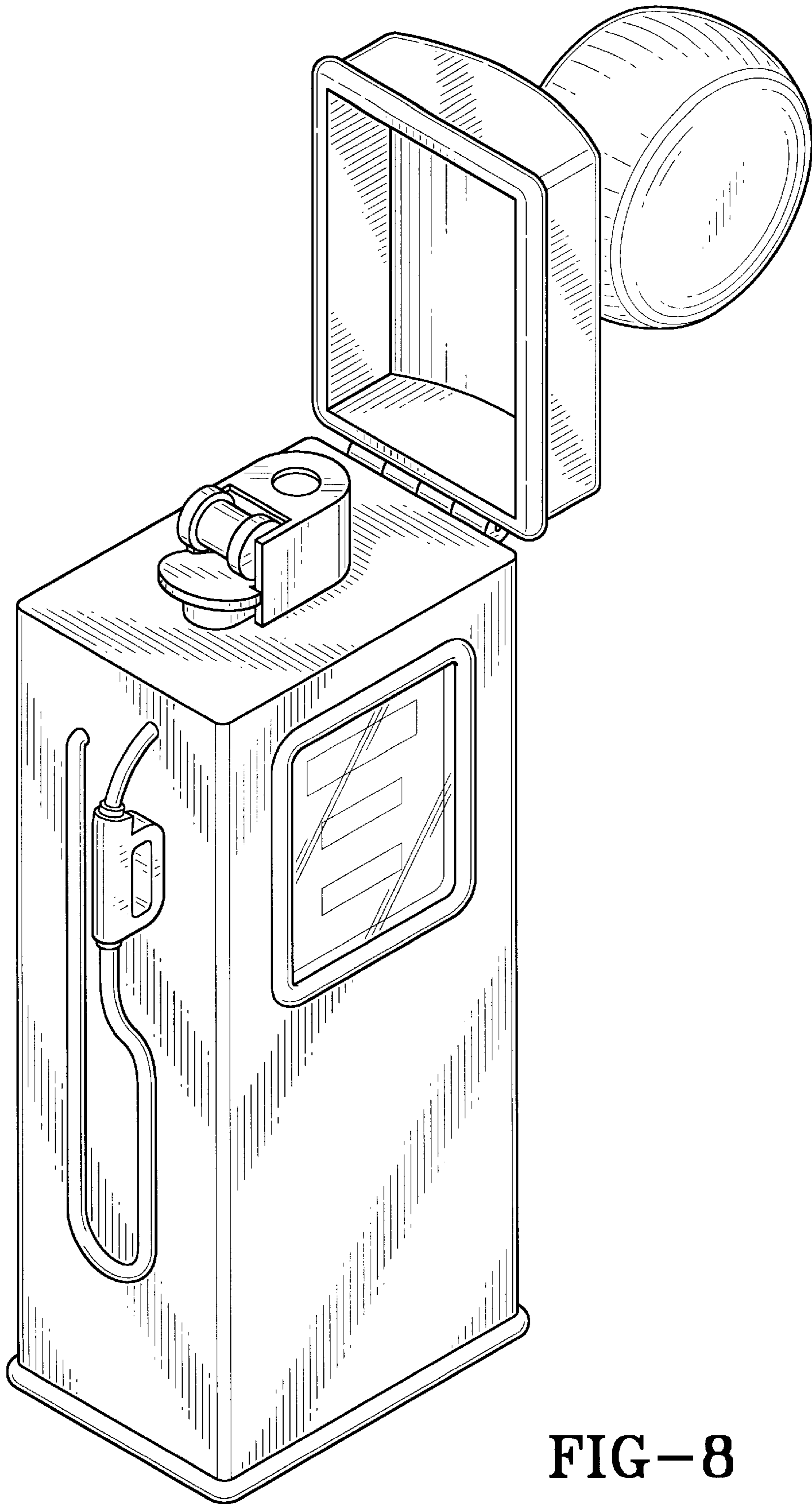


FIG-8

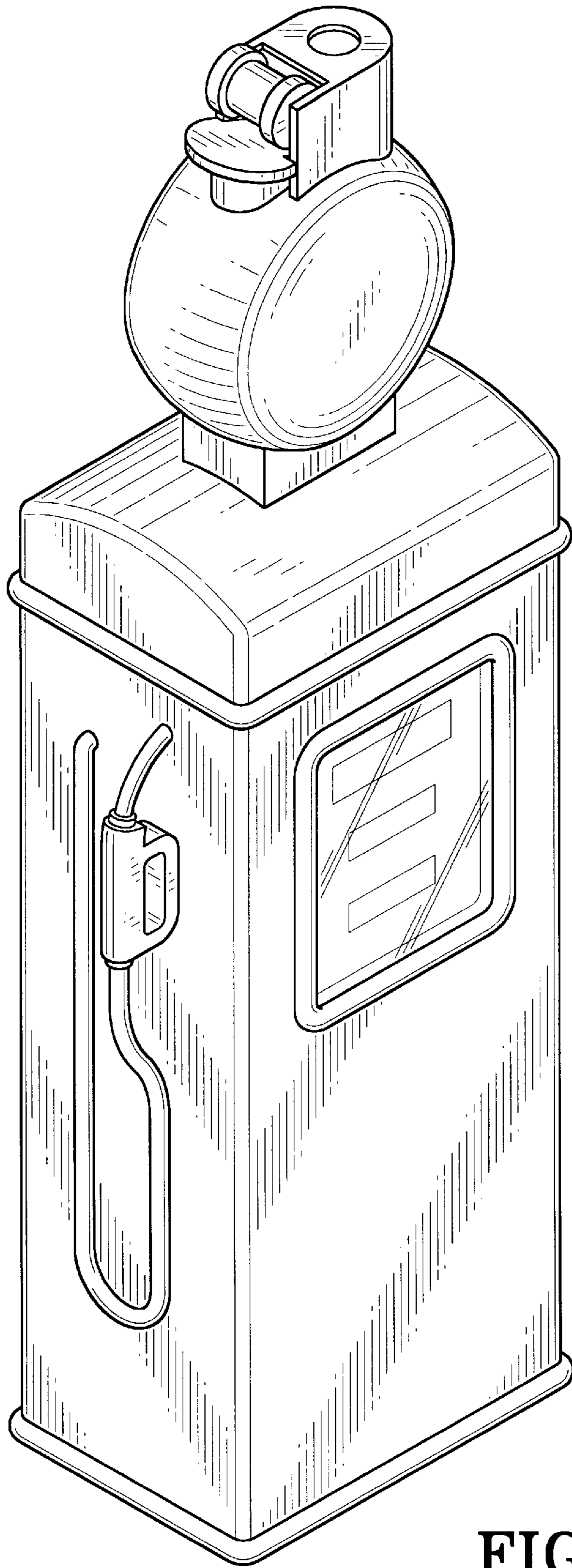


FIG-9

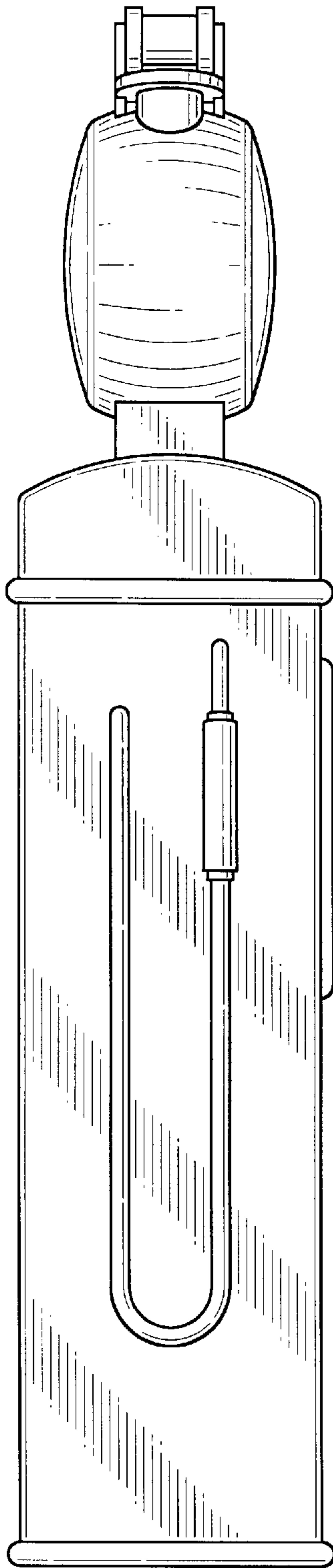


FIG-10

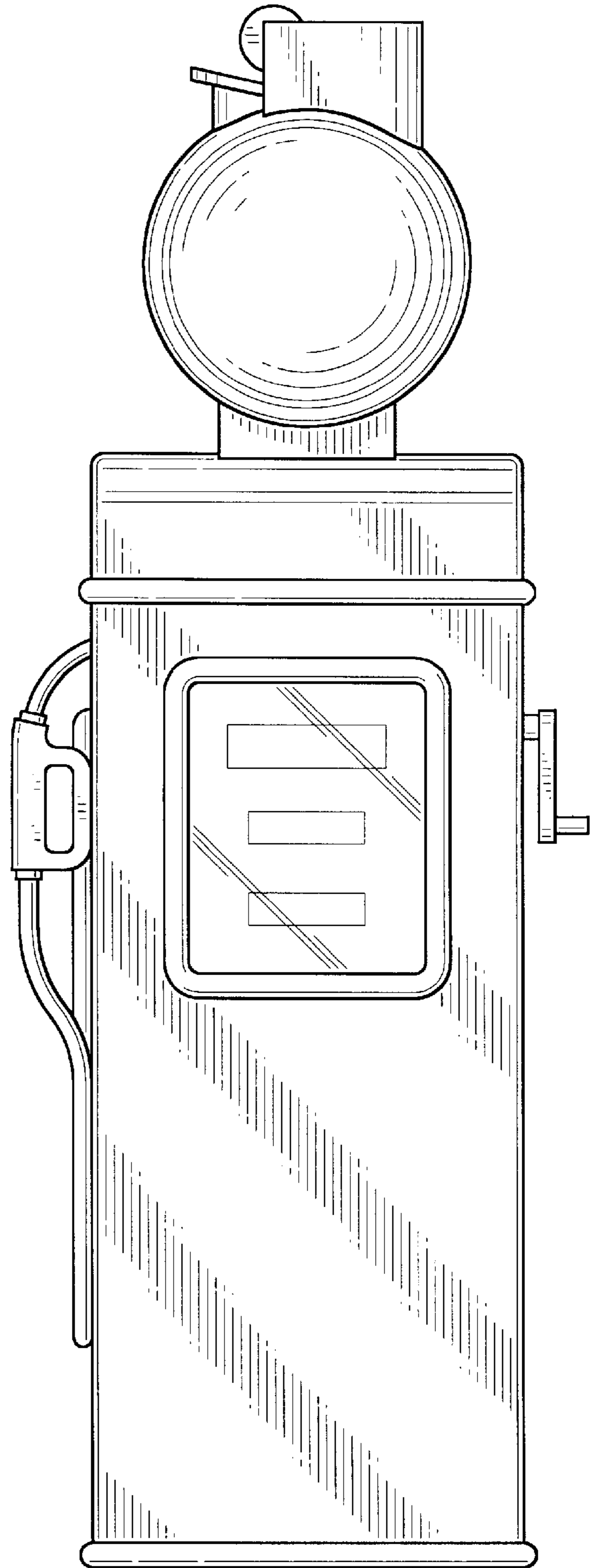


FIG-11

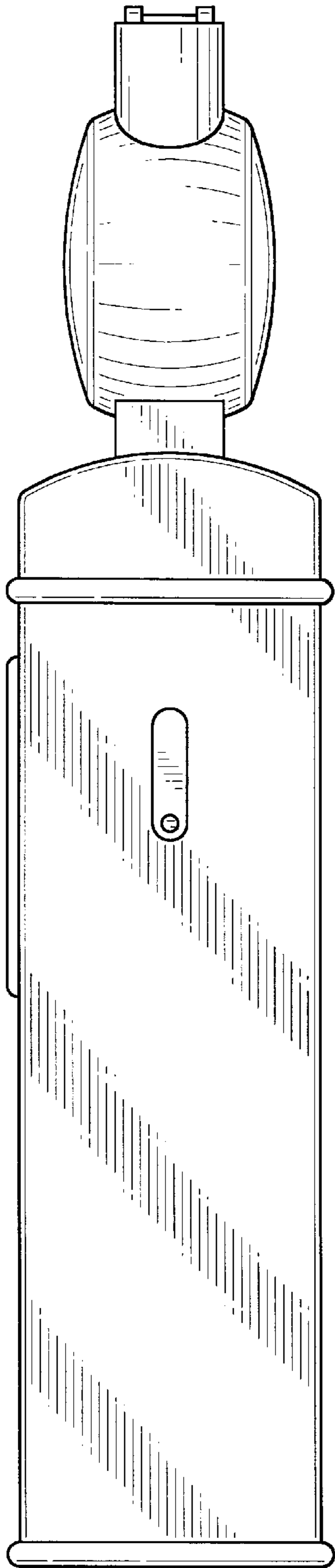


FIG-12

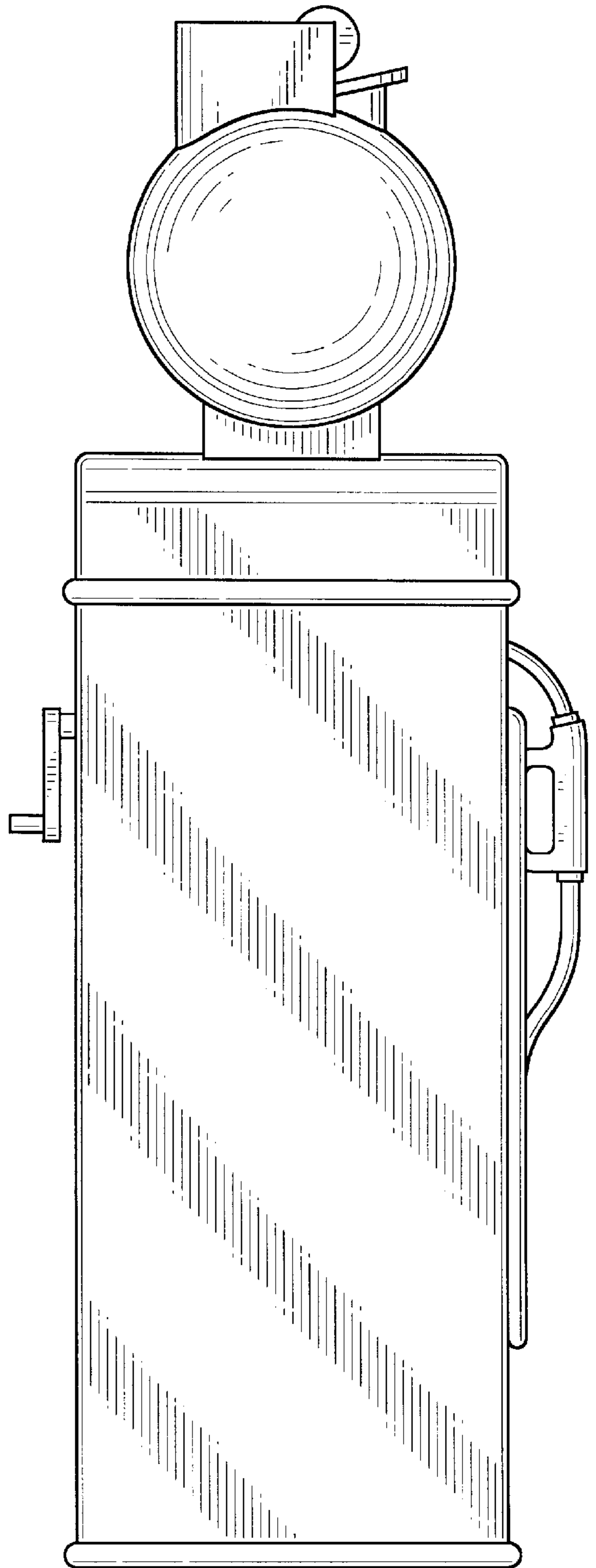


FIG-13

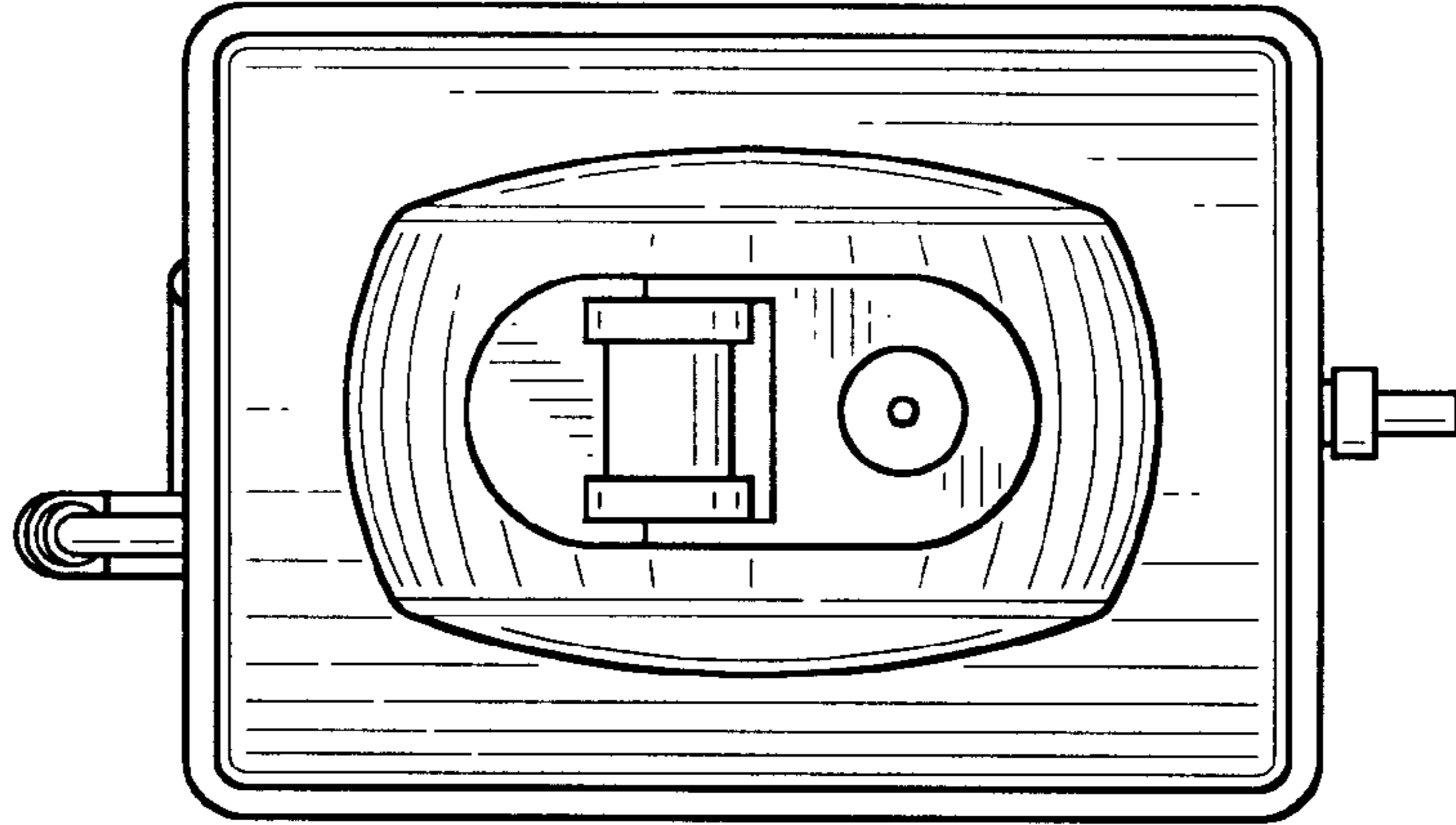


FIG-14

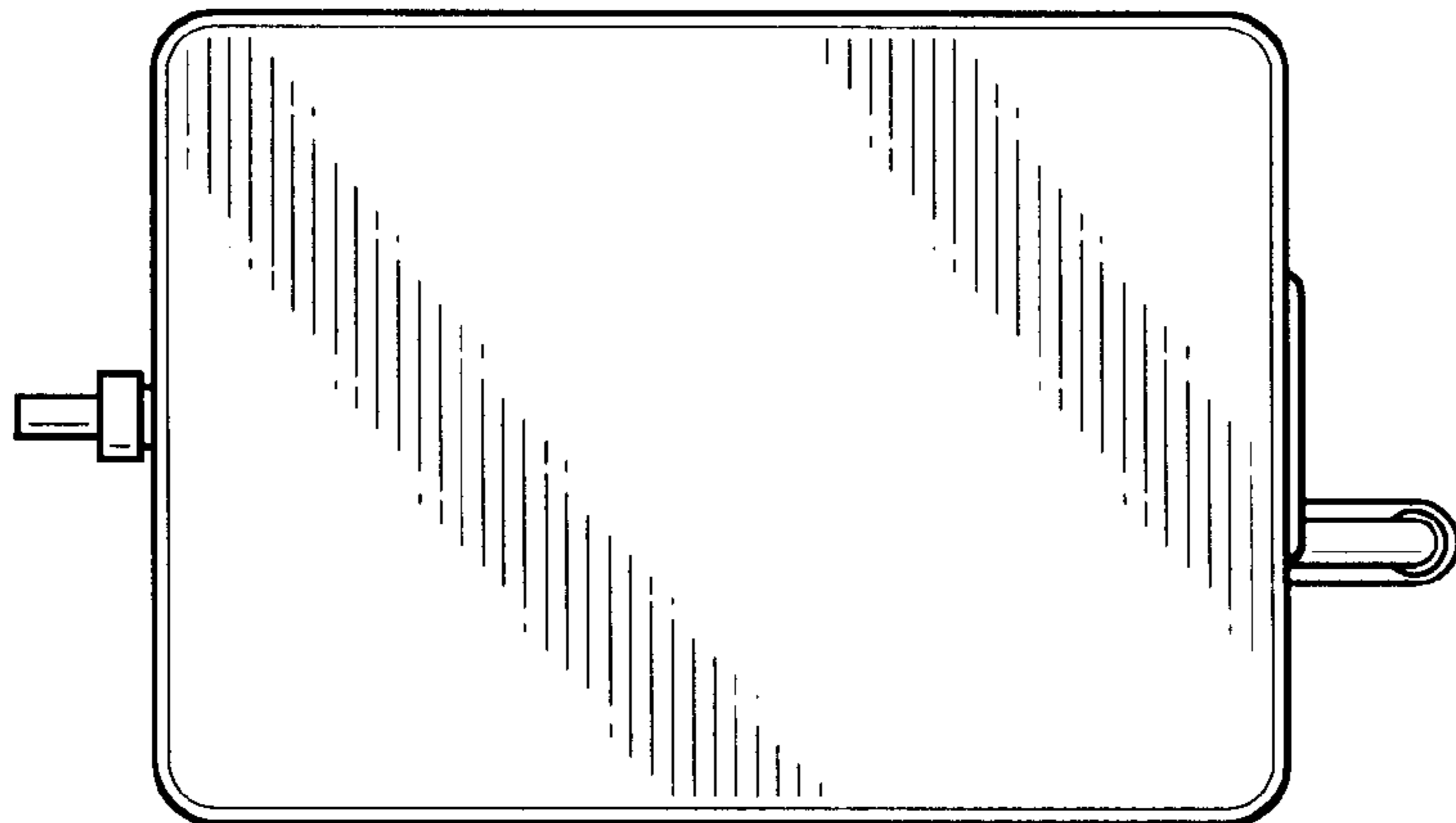


FIG-15

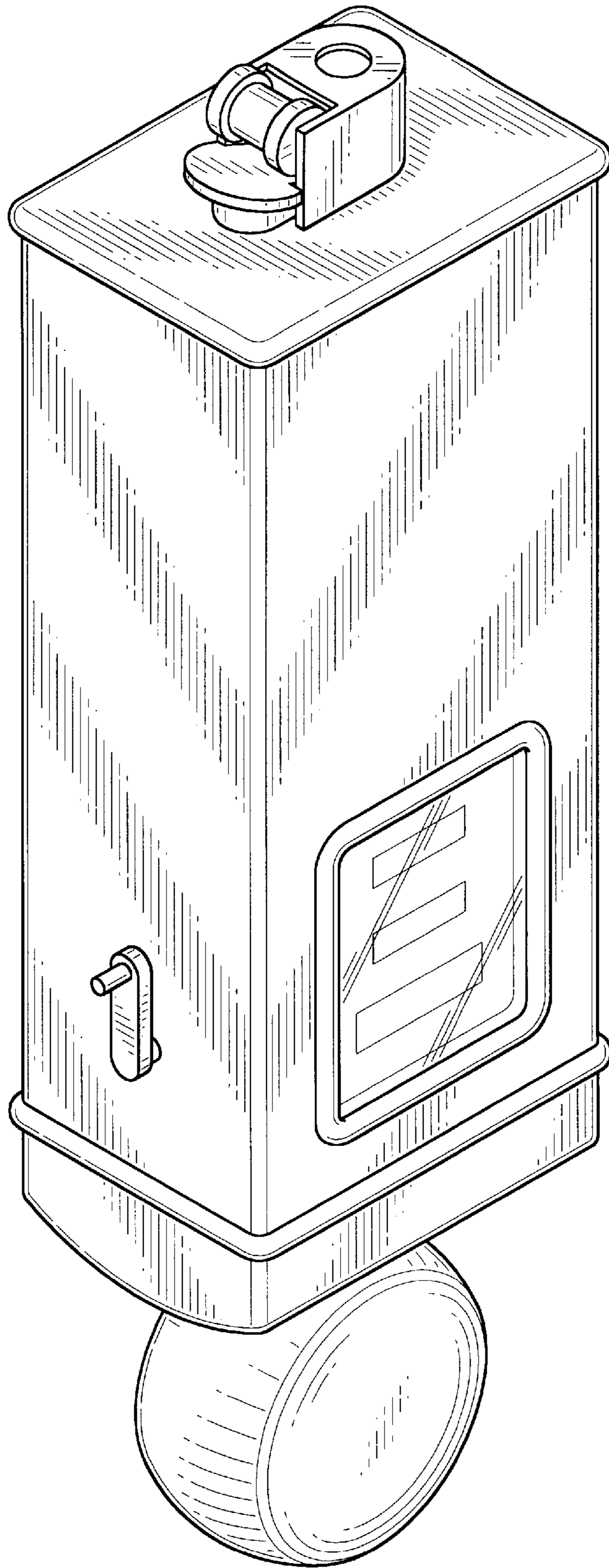


FIG-16

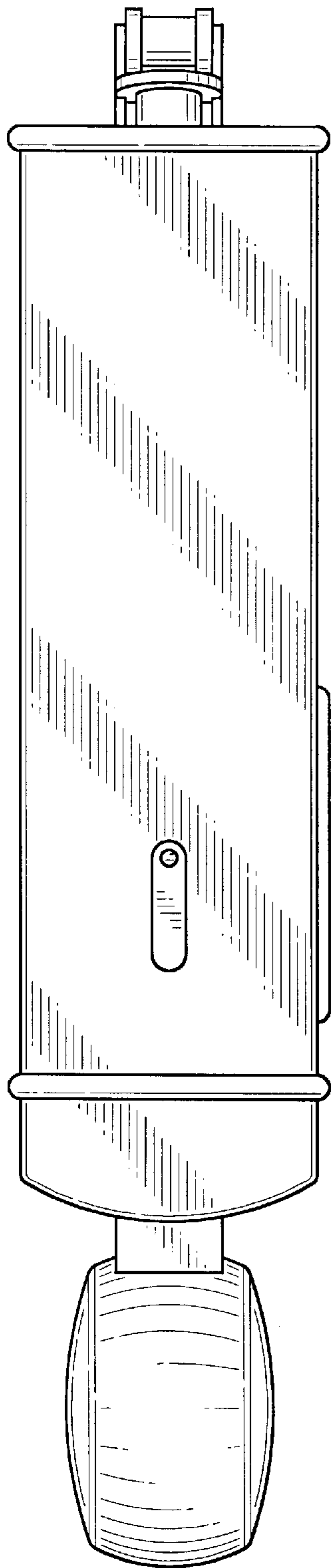


FIG-17

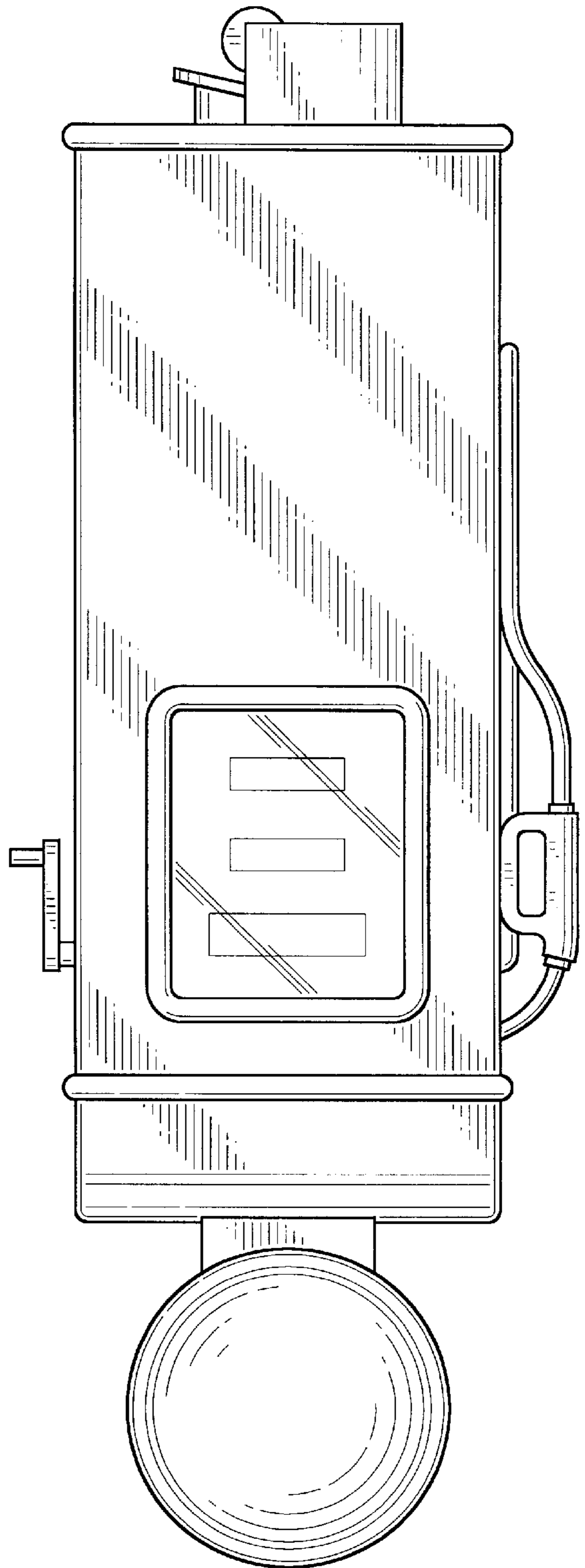


FIG-18

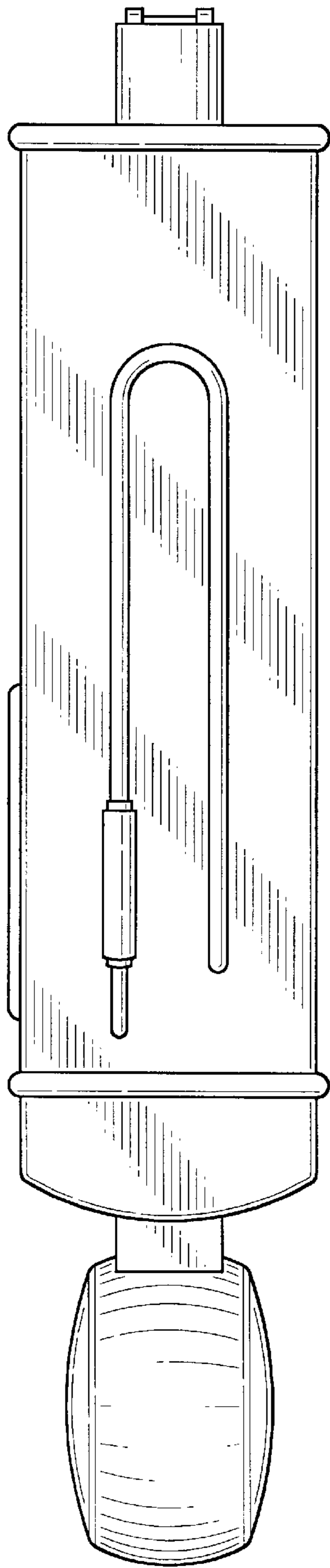


FIG-19

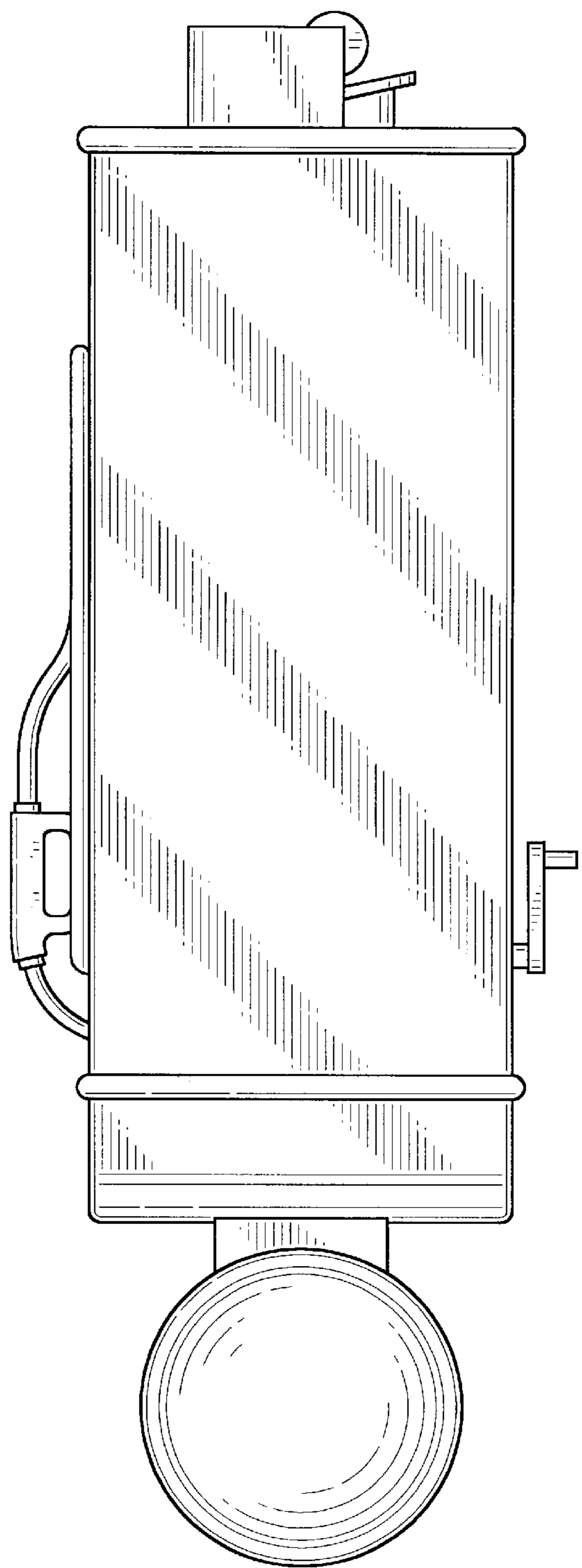


FIG-20

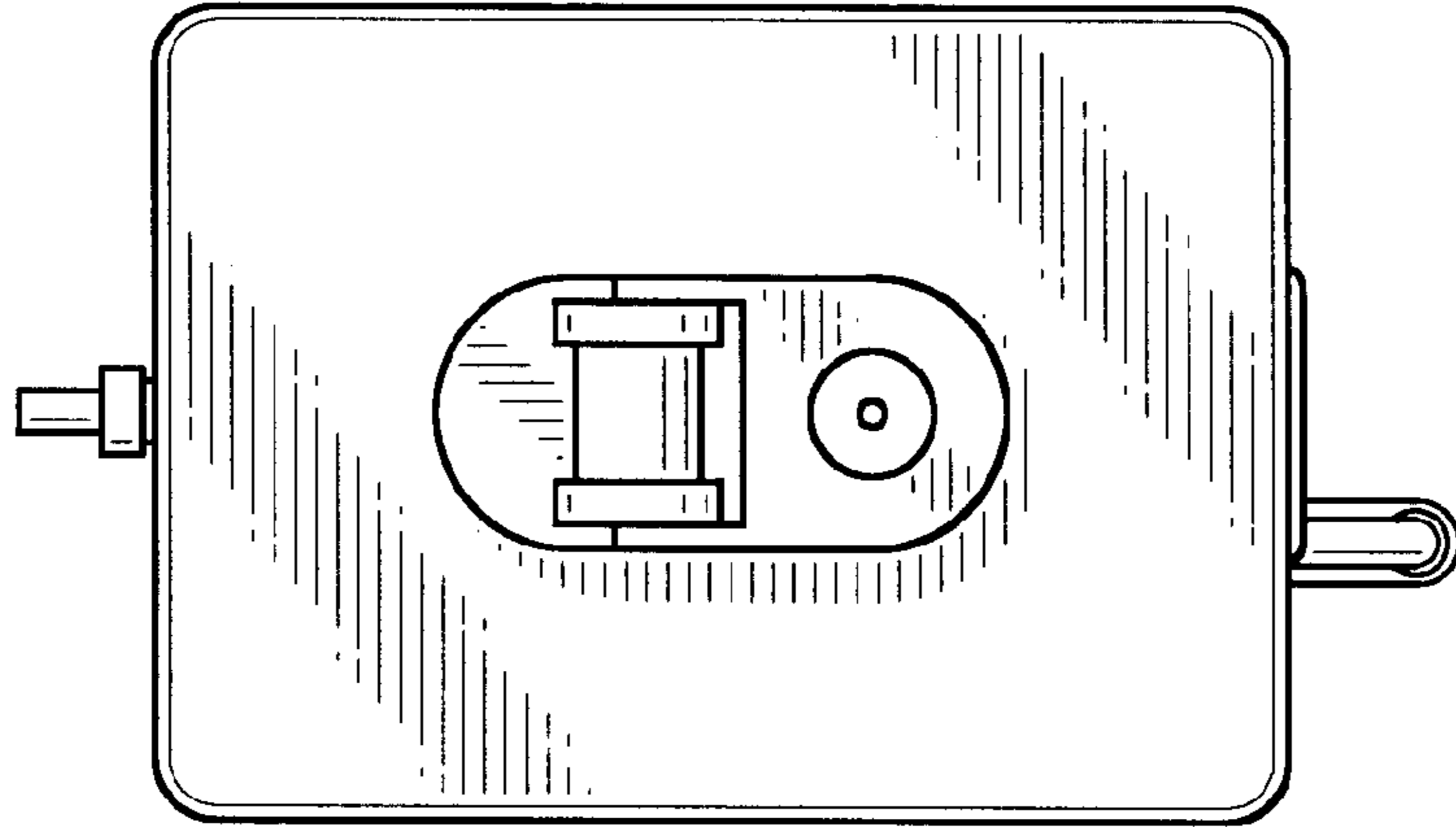


FIG-21

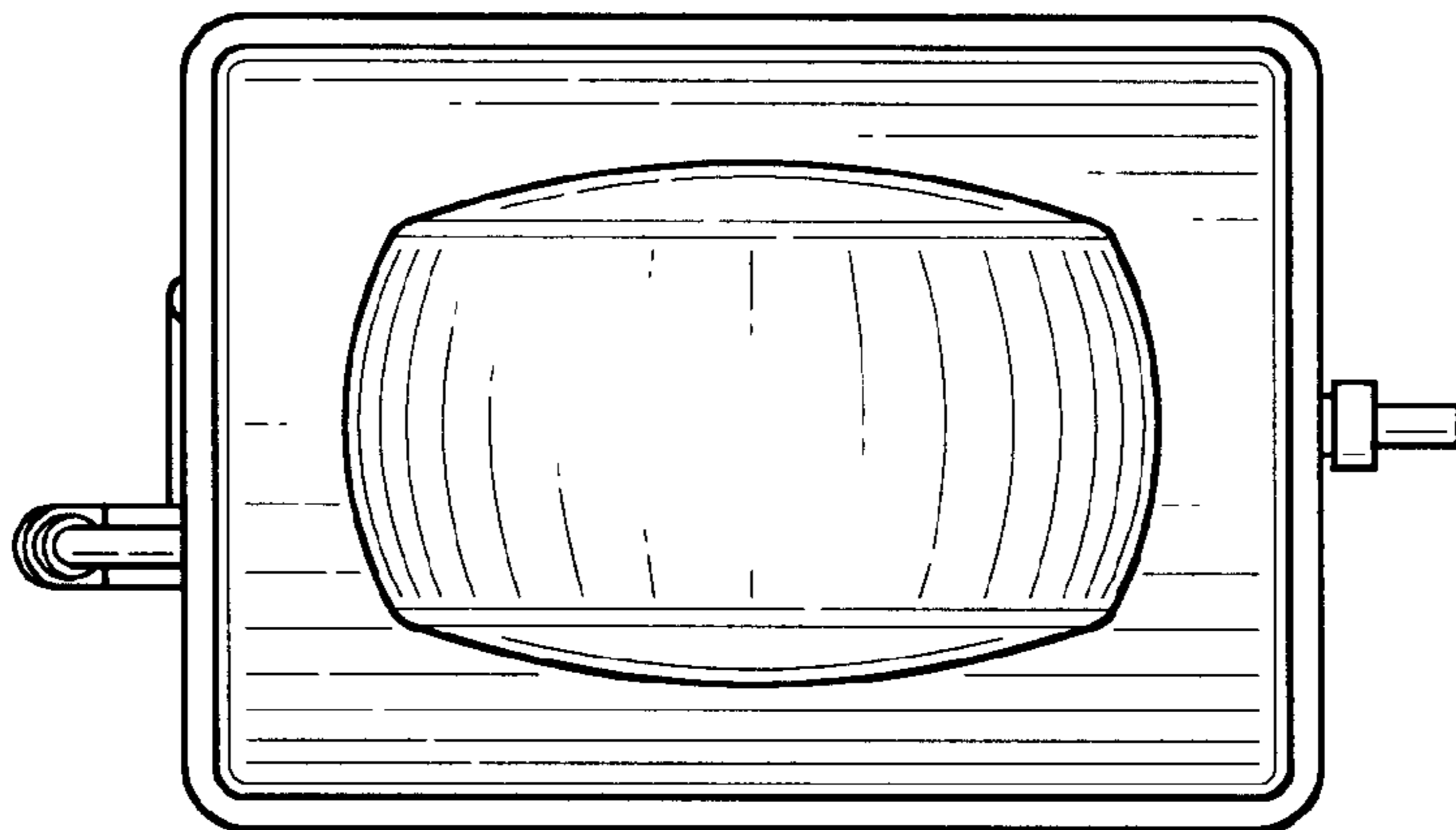


FIG-22

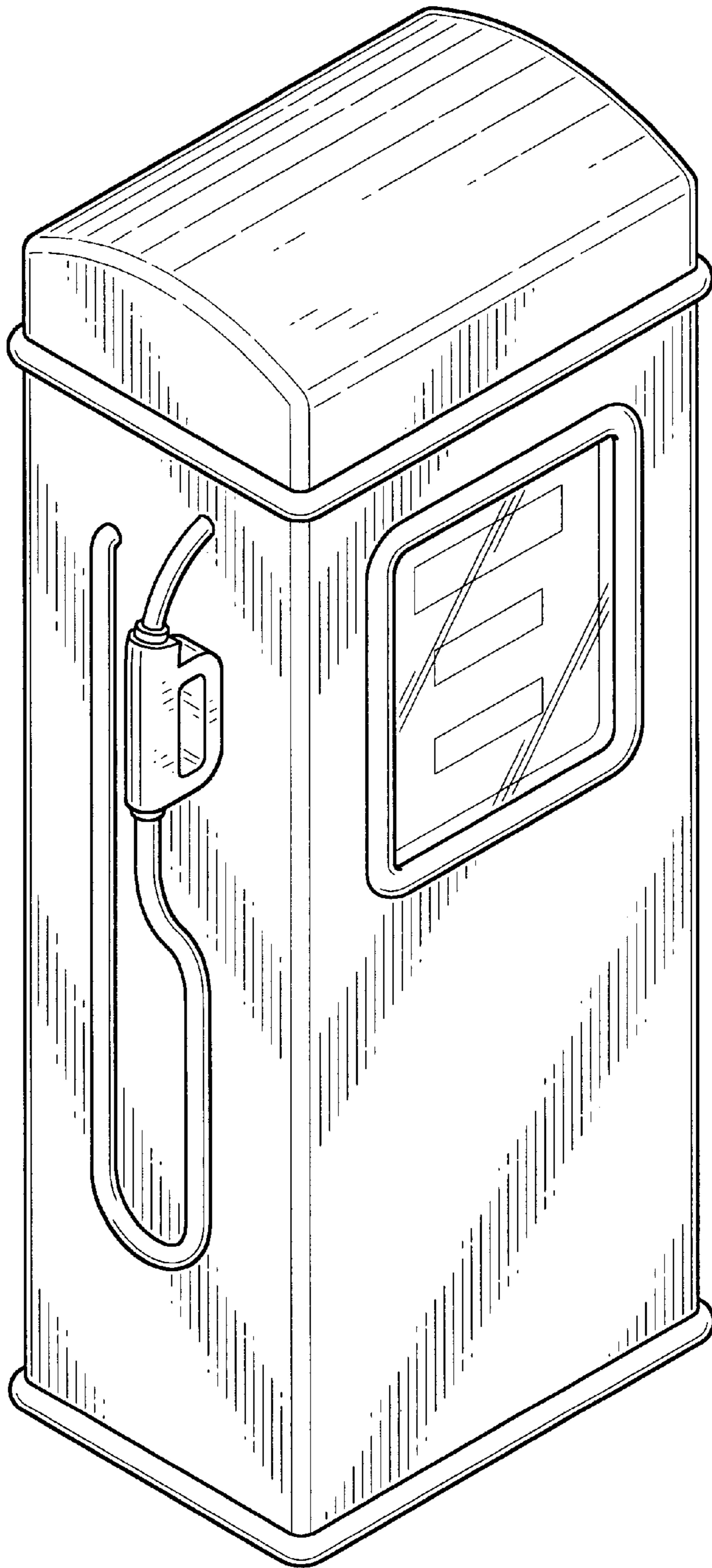


FIG-23

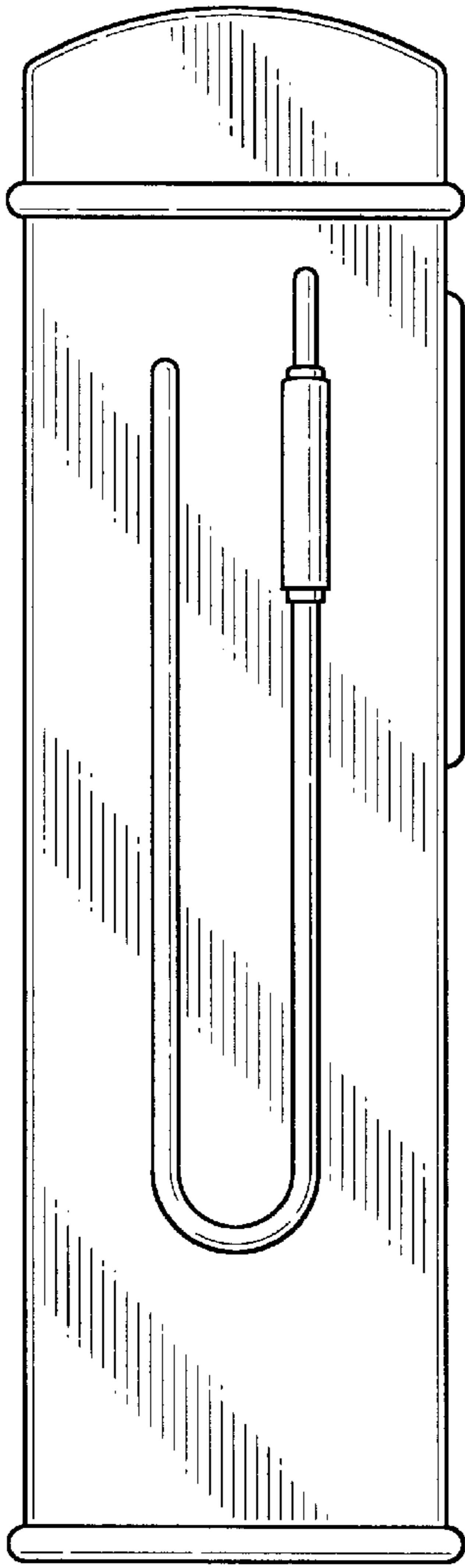


FIG-24

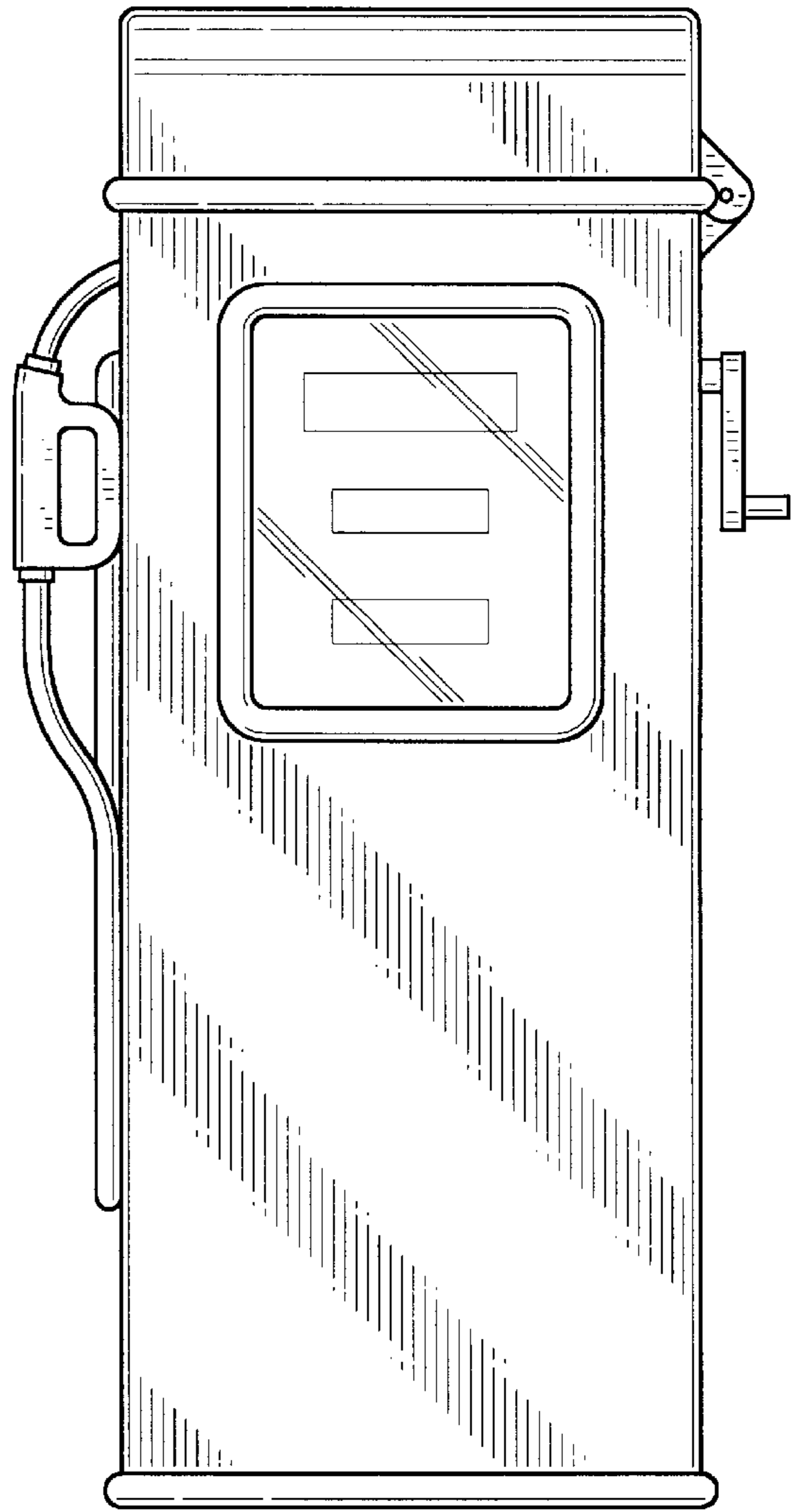


FIG-25

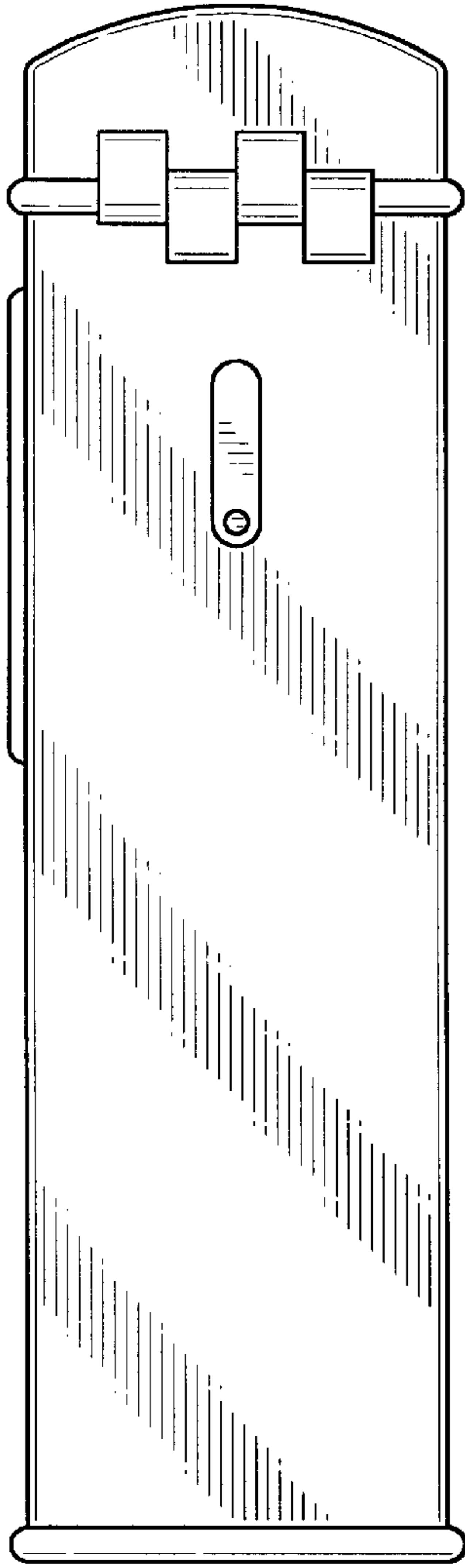


FIG-26

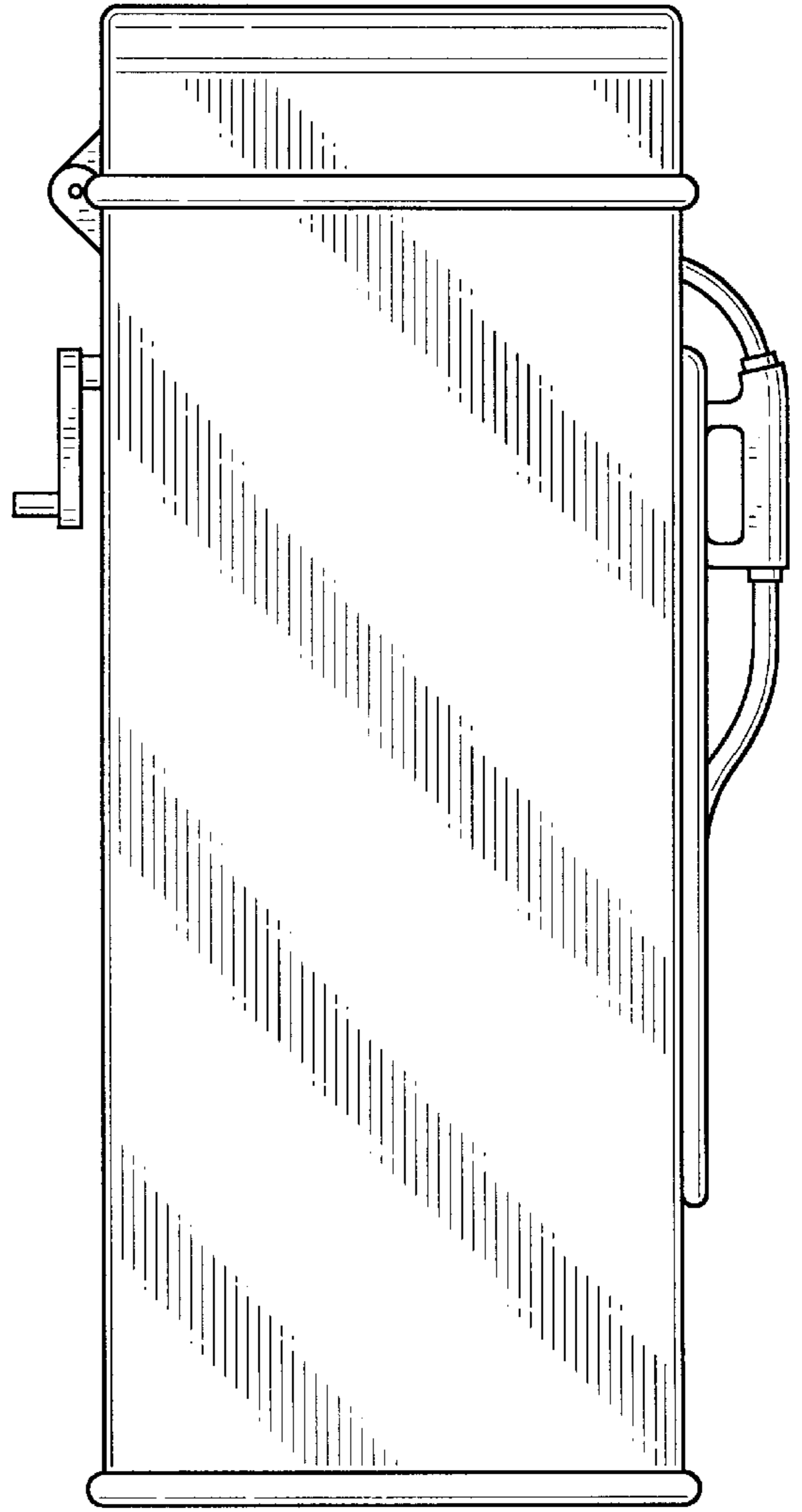


FIG-27

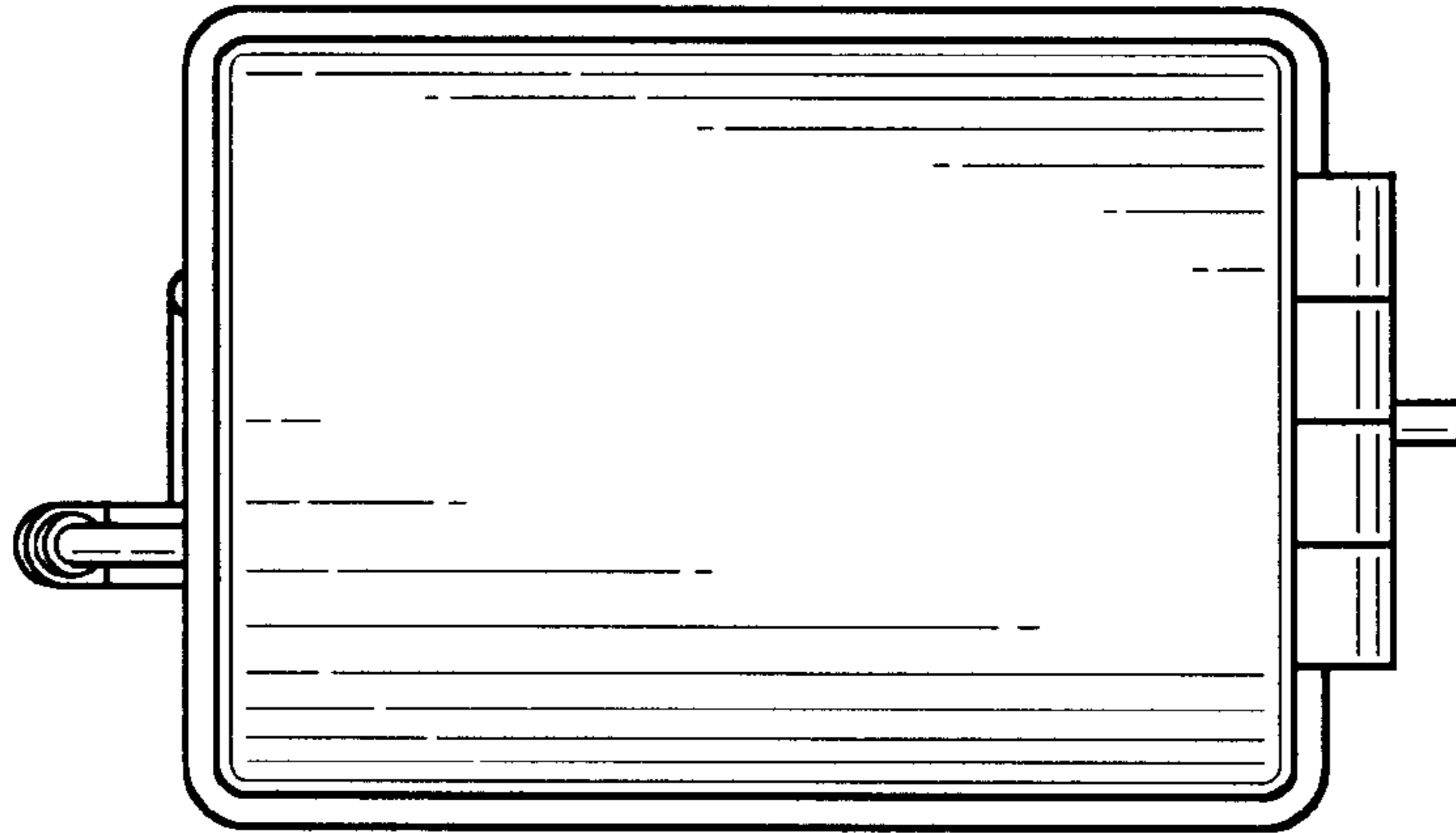


FIG-28

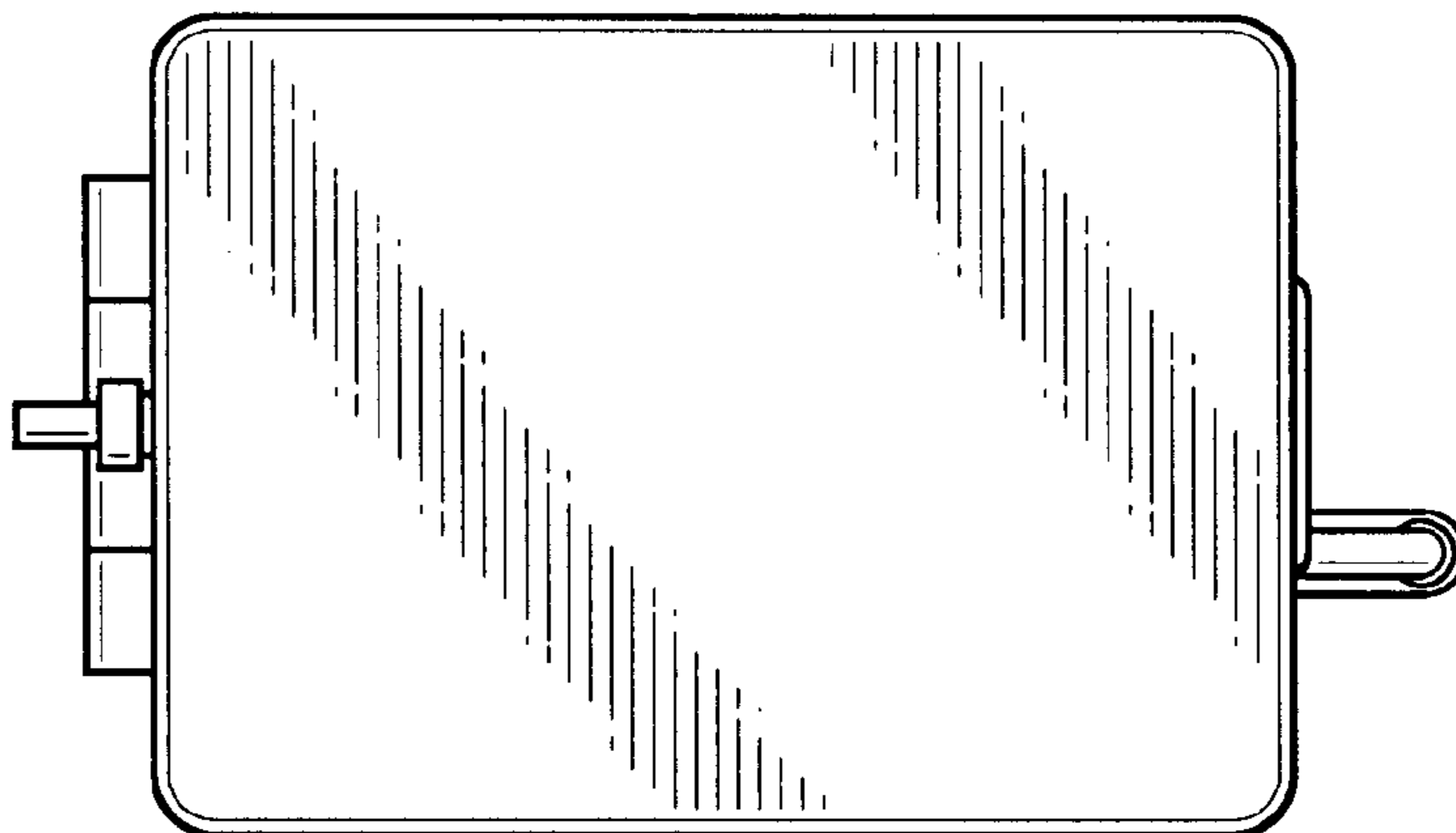


FIG-29

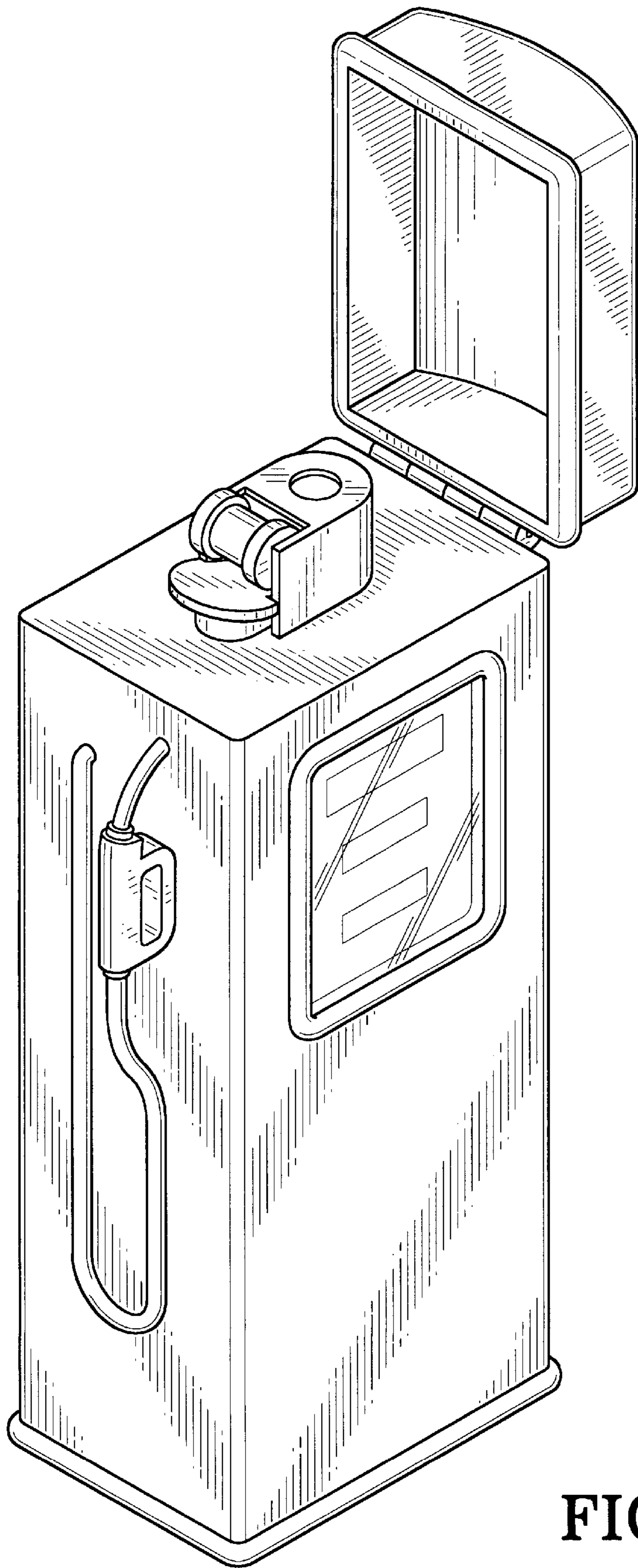


FIG-30

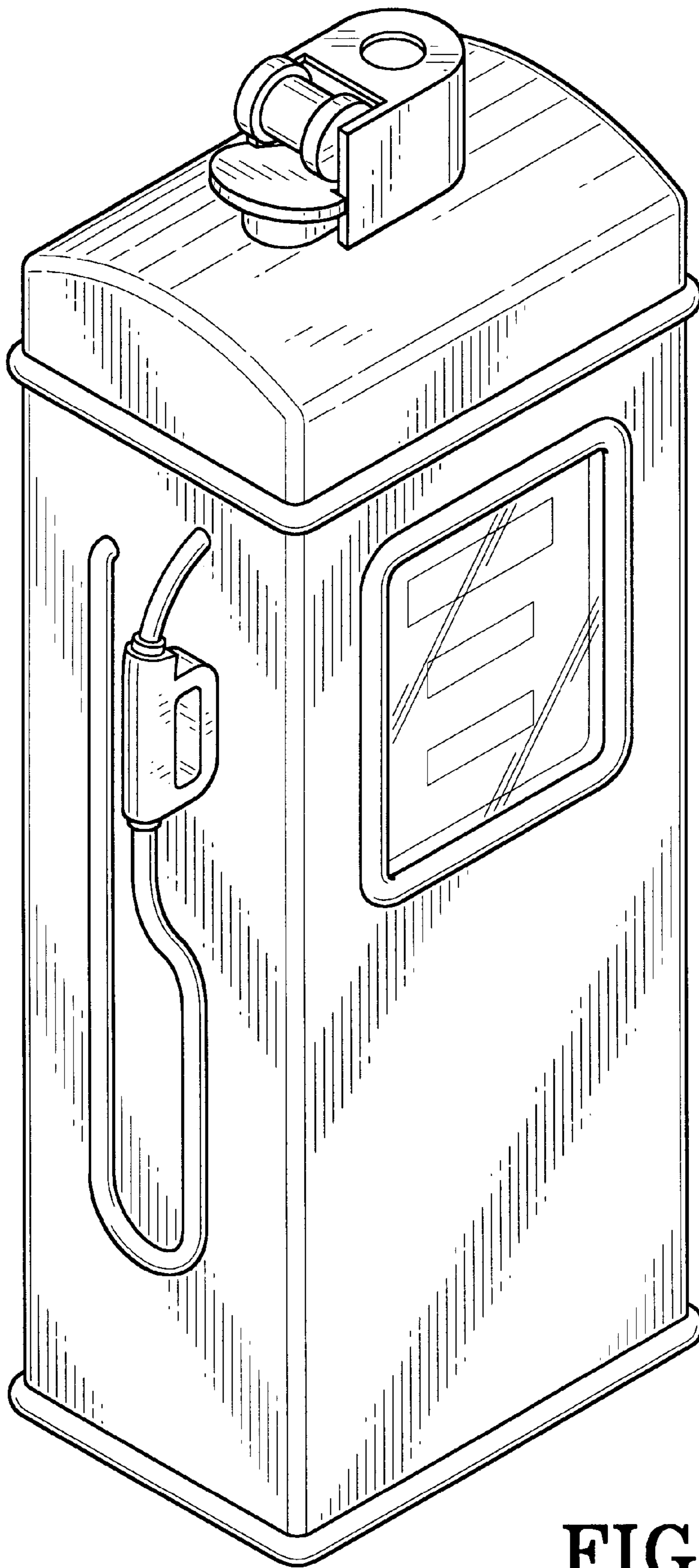


FIG-31

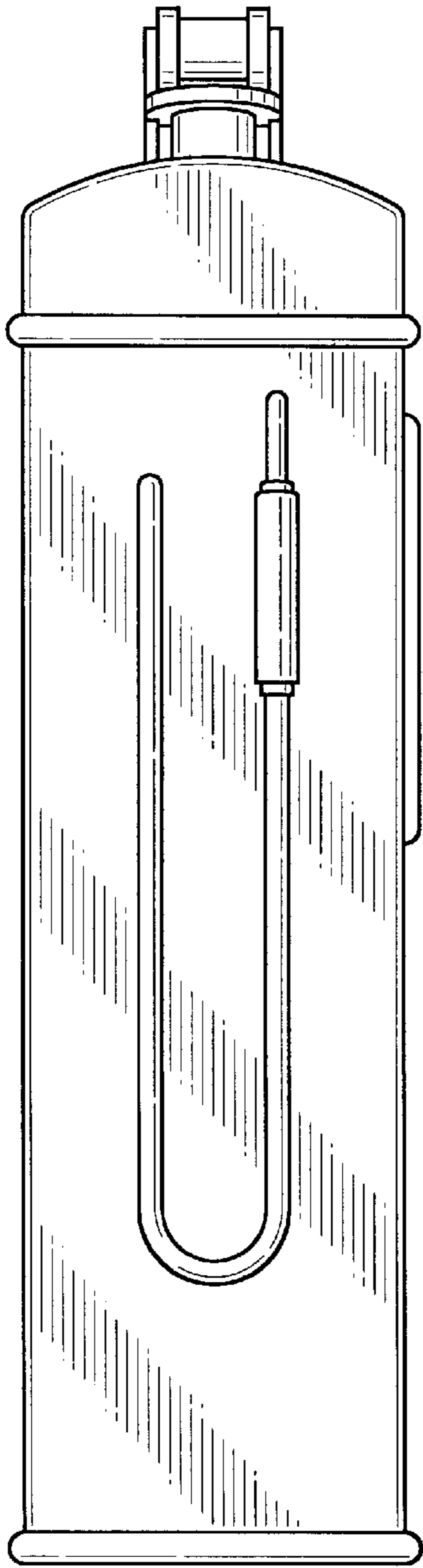


FIG-32

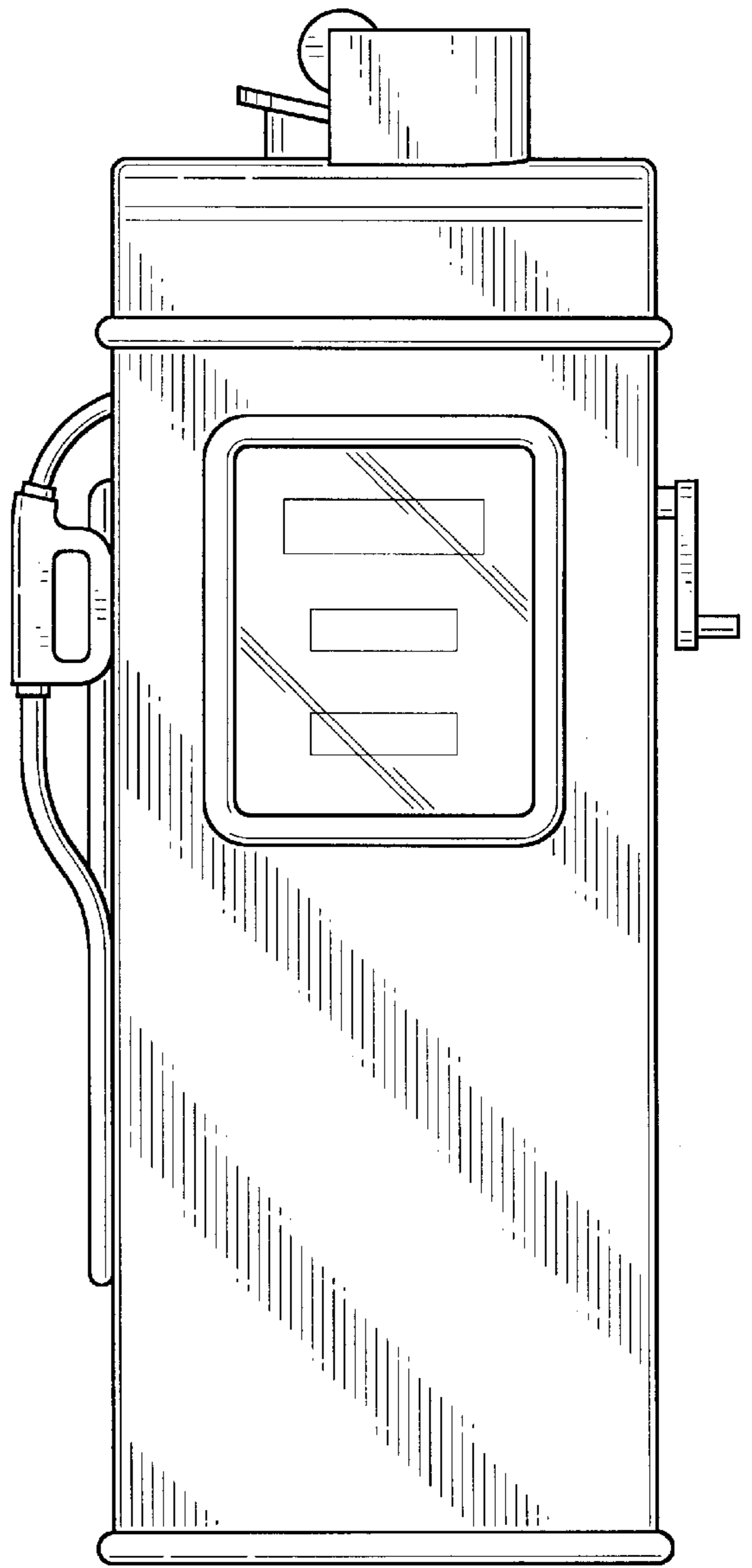


FIG-33

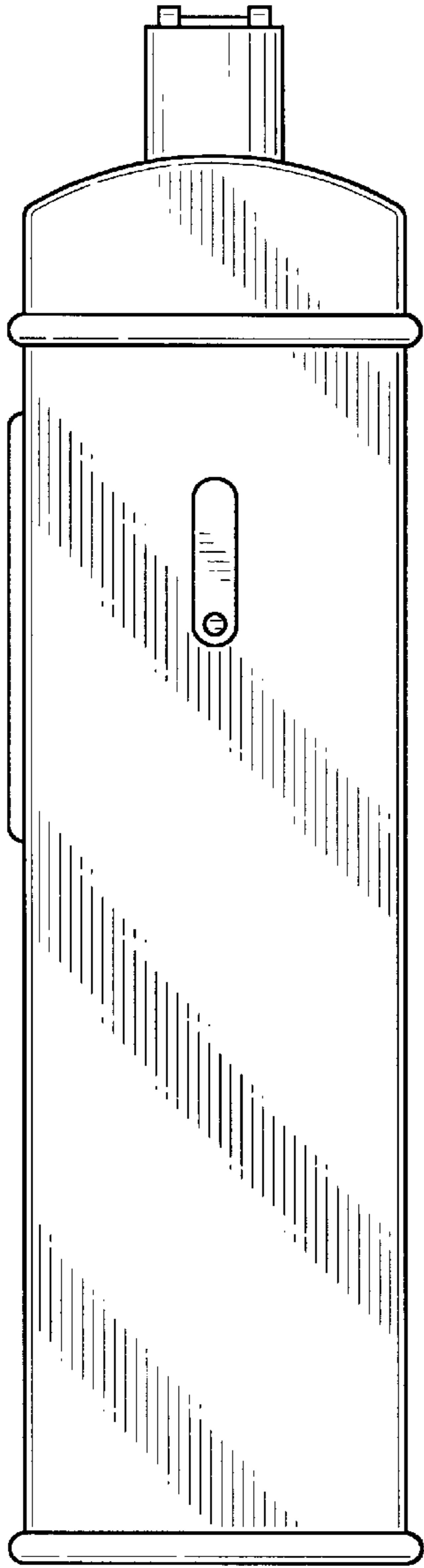


FIG-34

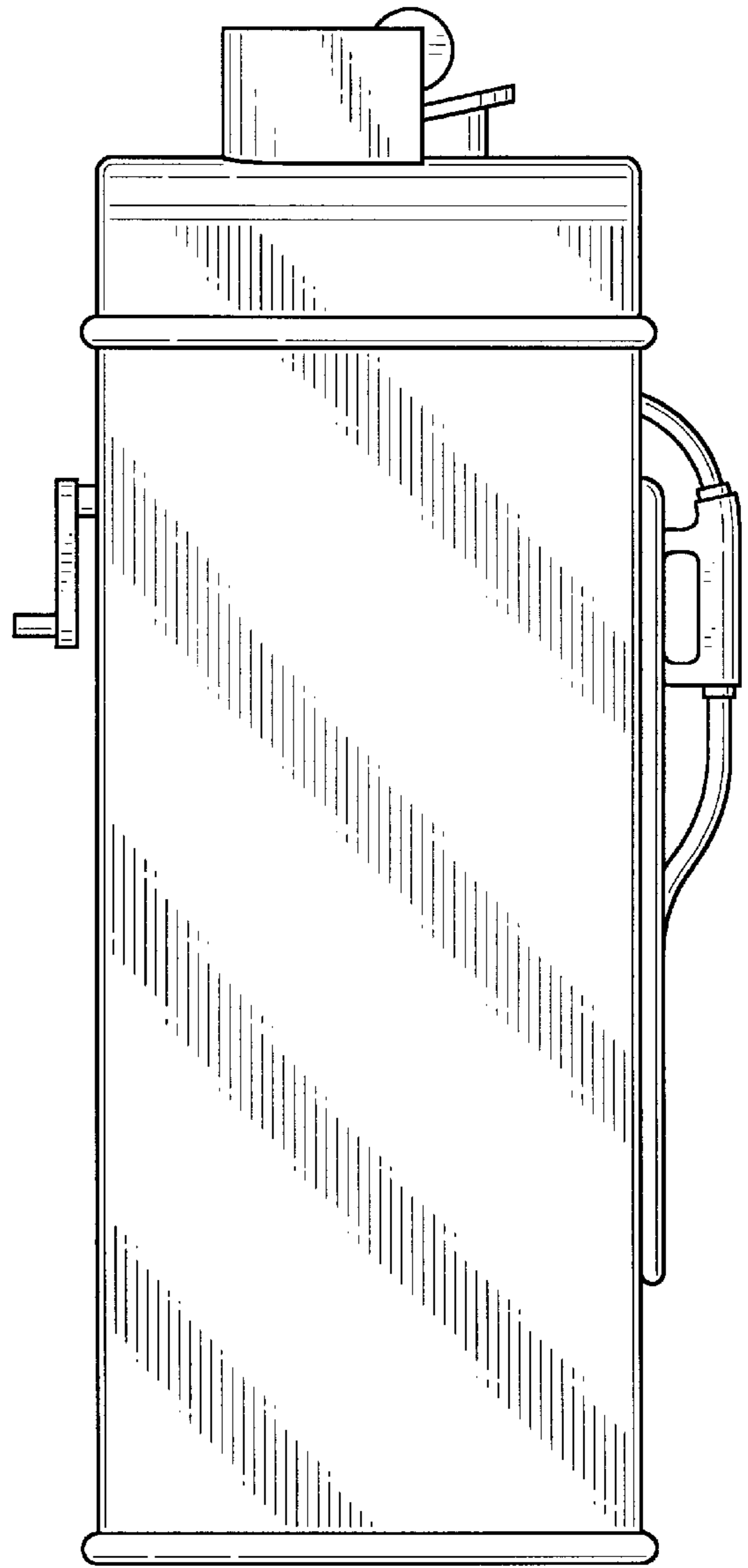


FIG-35

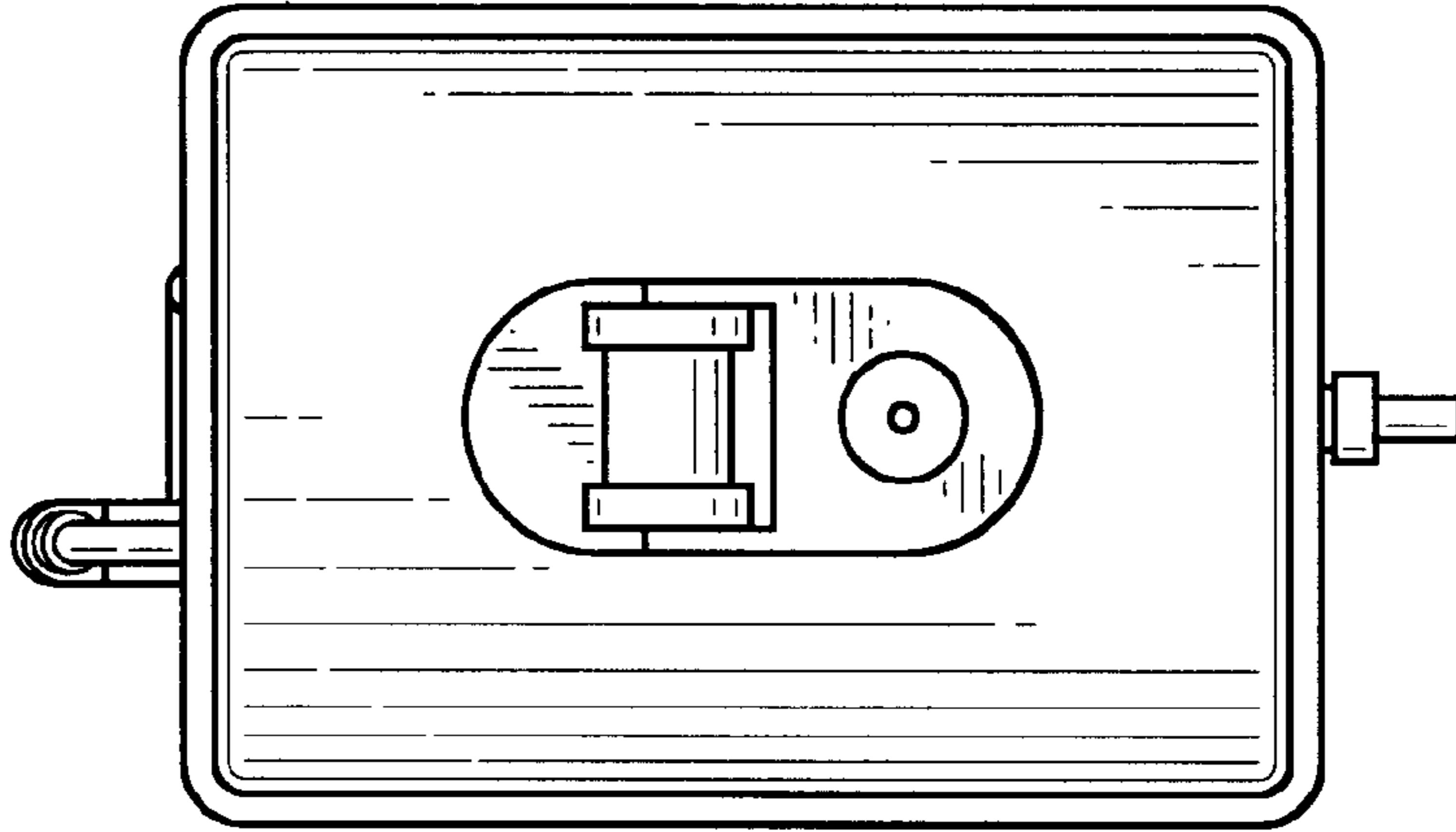


FIG-36

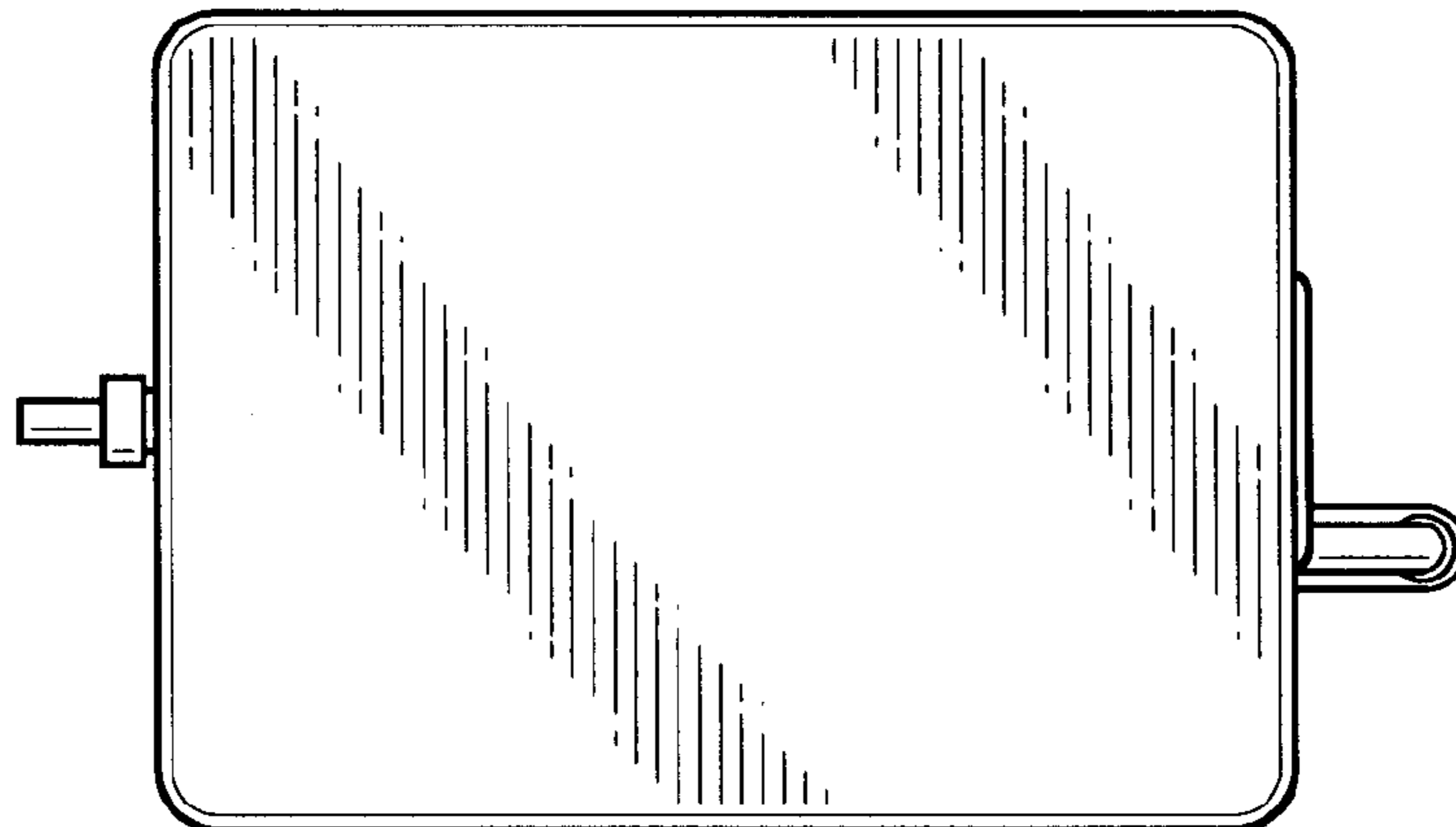


FIG-37

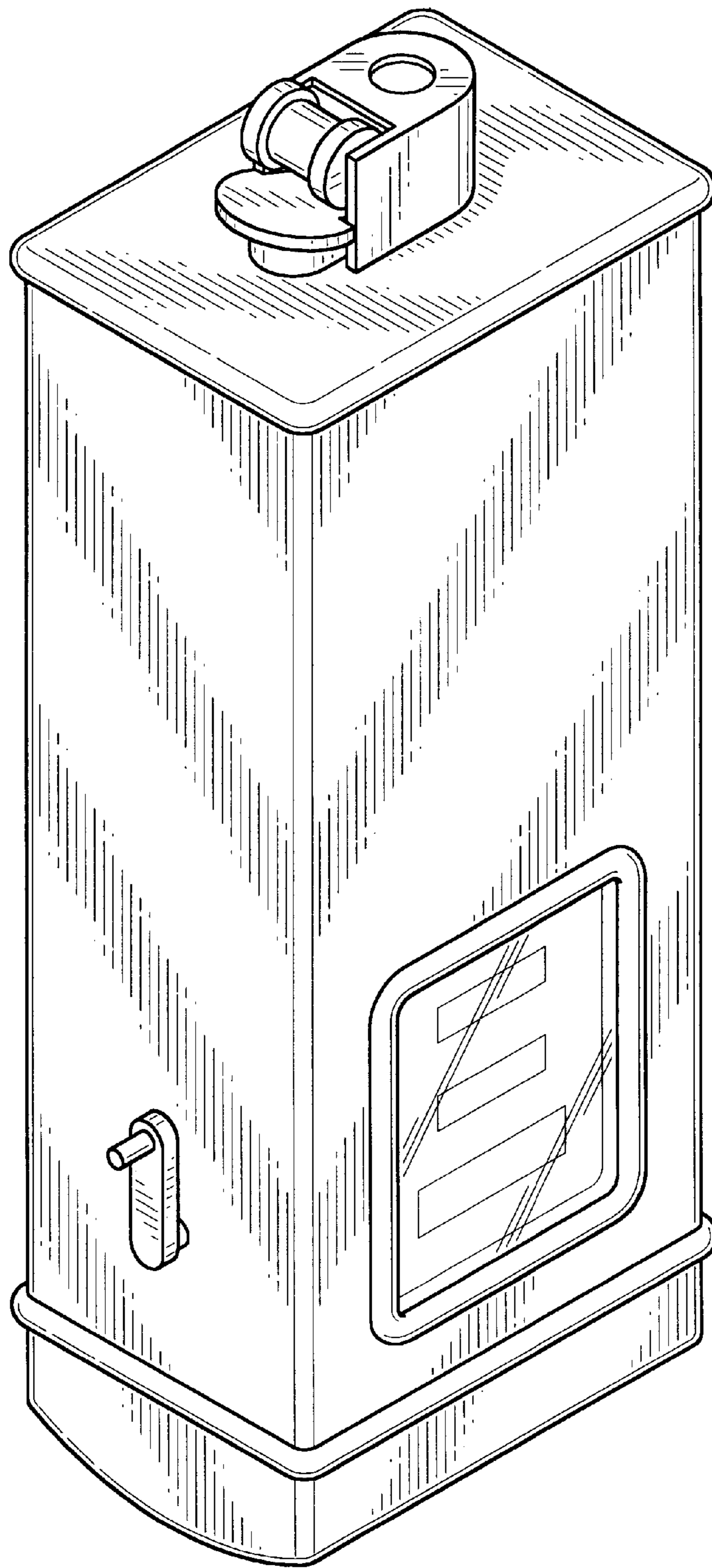


FIG-38

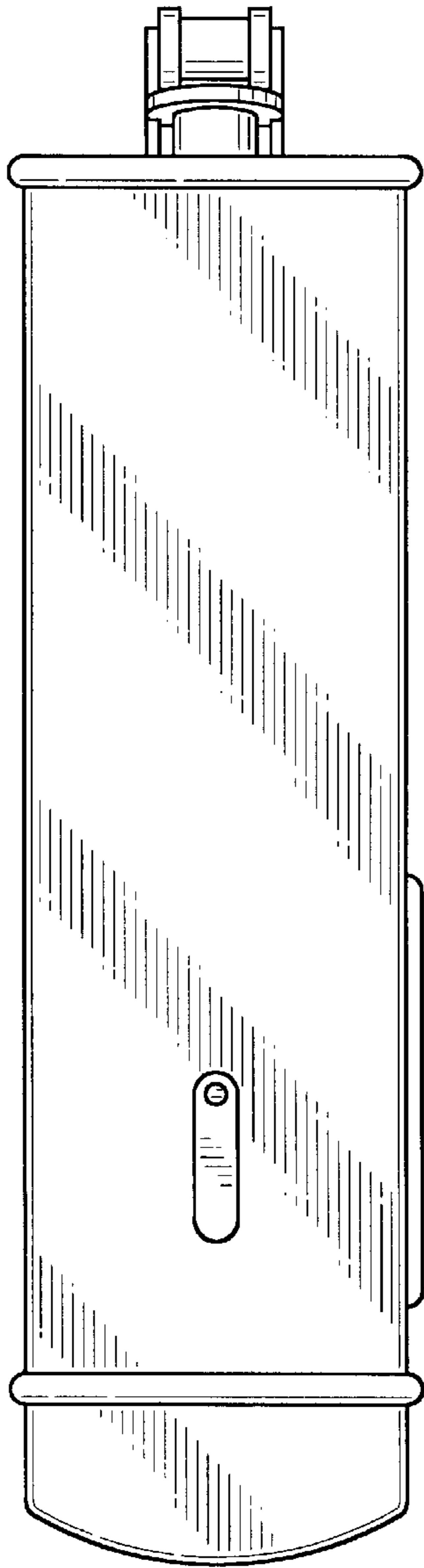


FIG-39

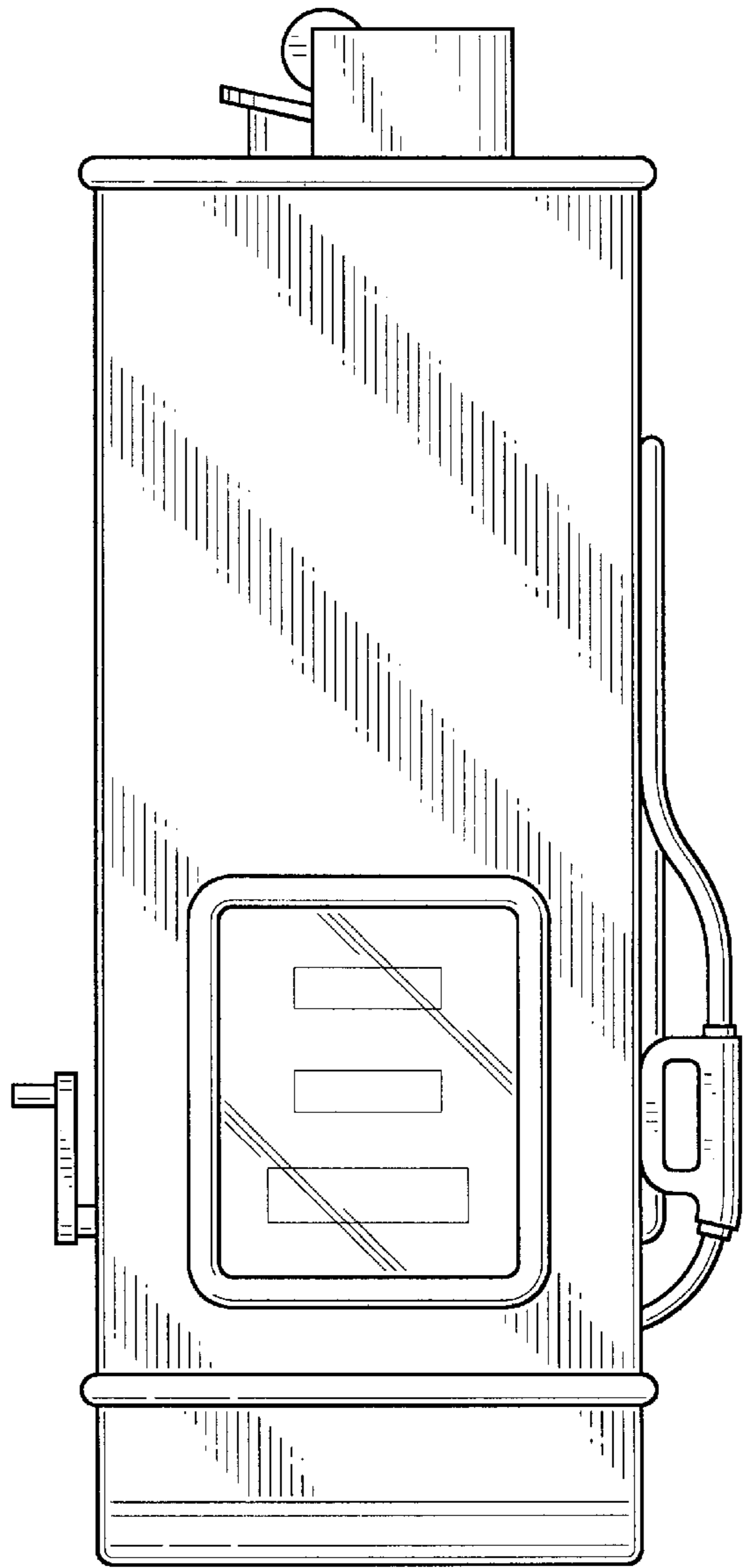


FIG-40

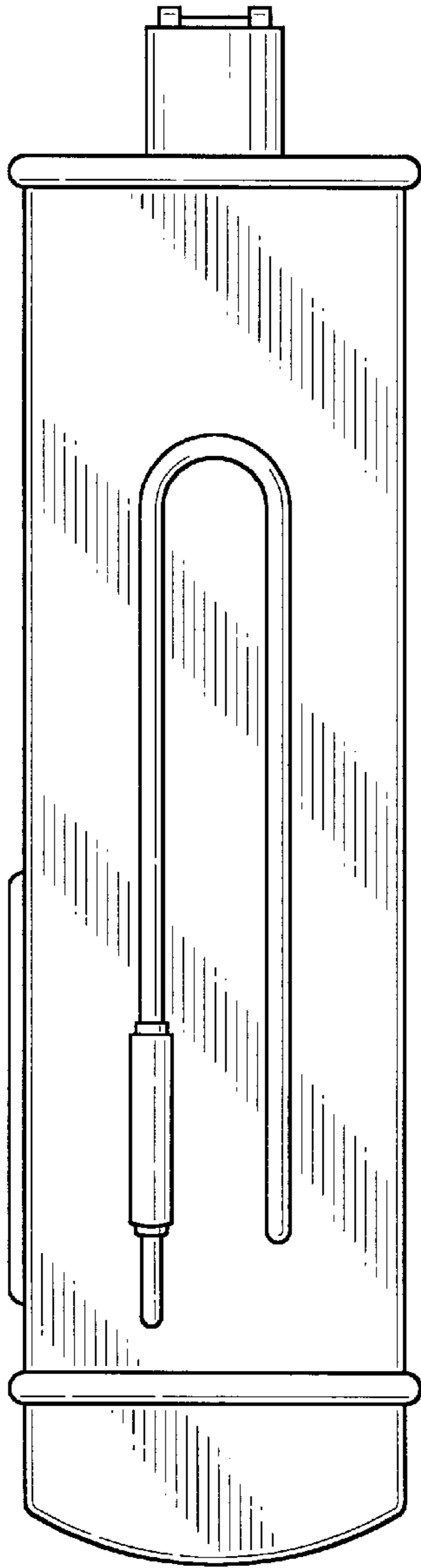


FIG-41

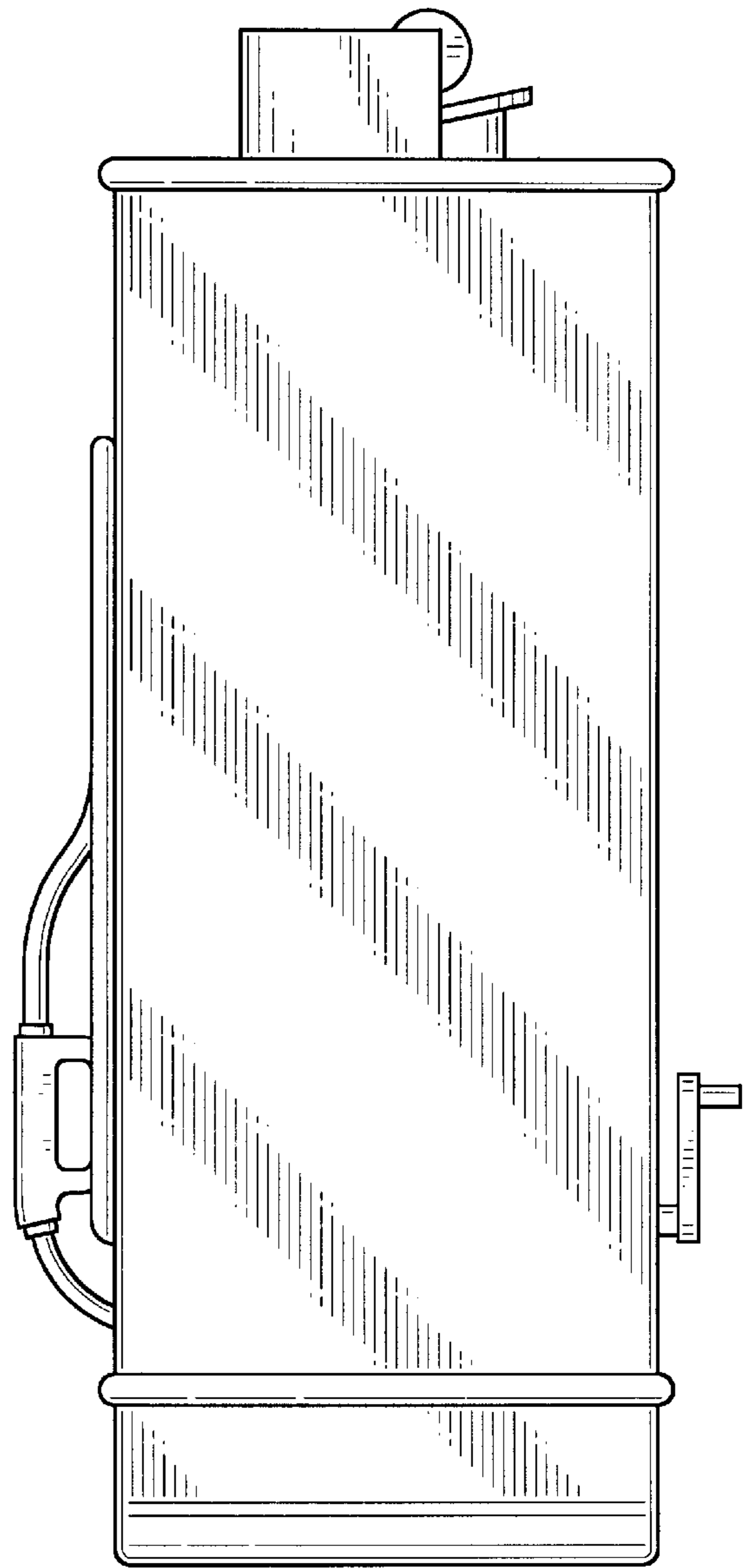


FIG-42

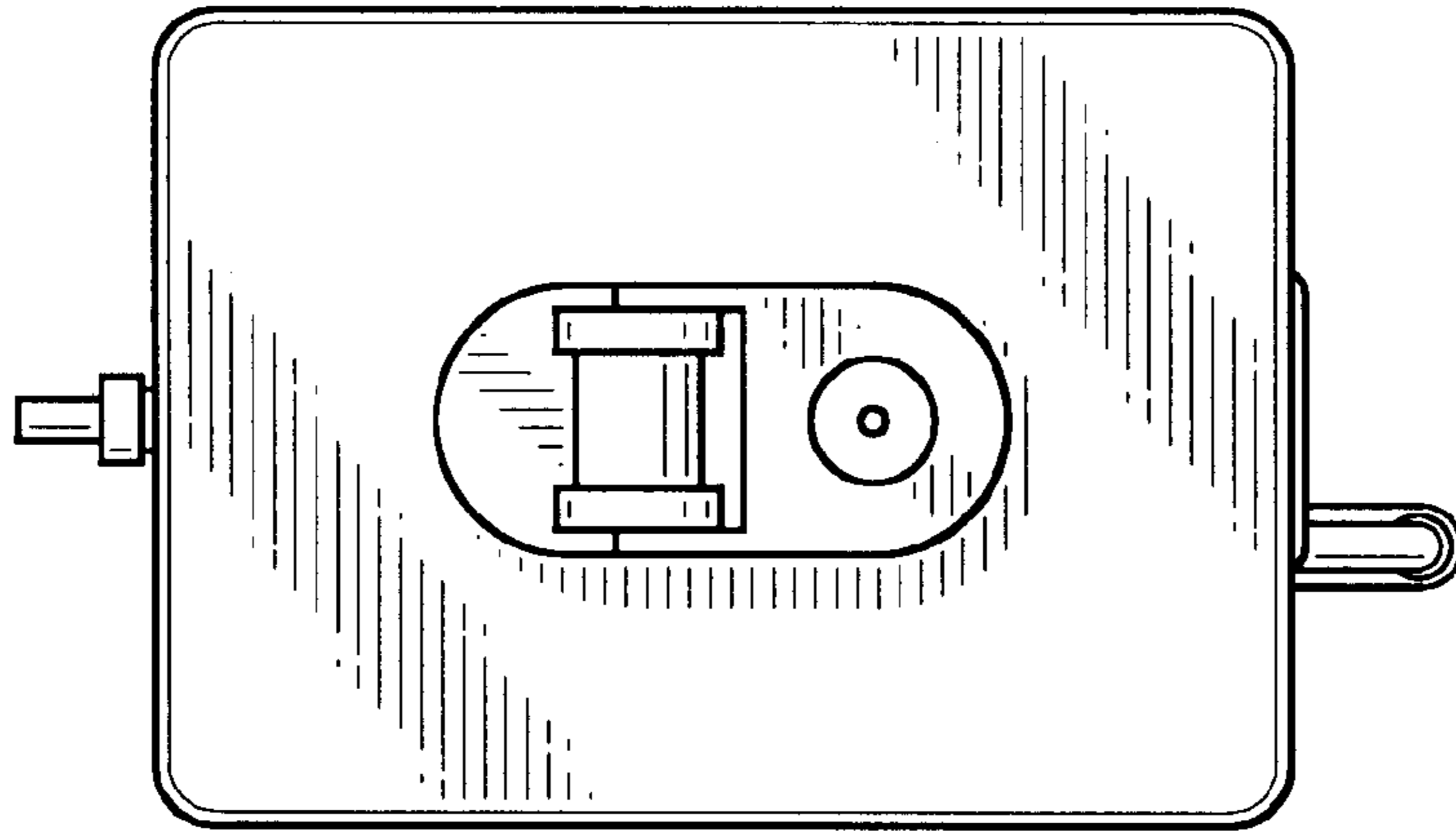


FIG-43

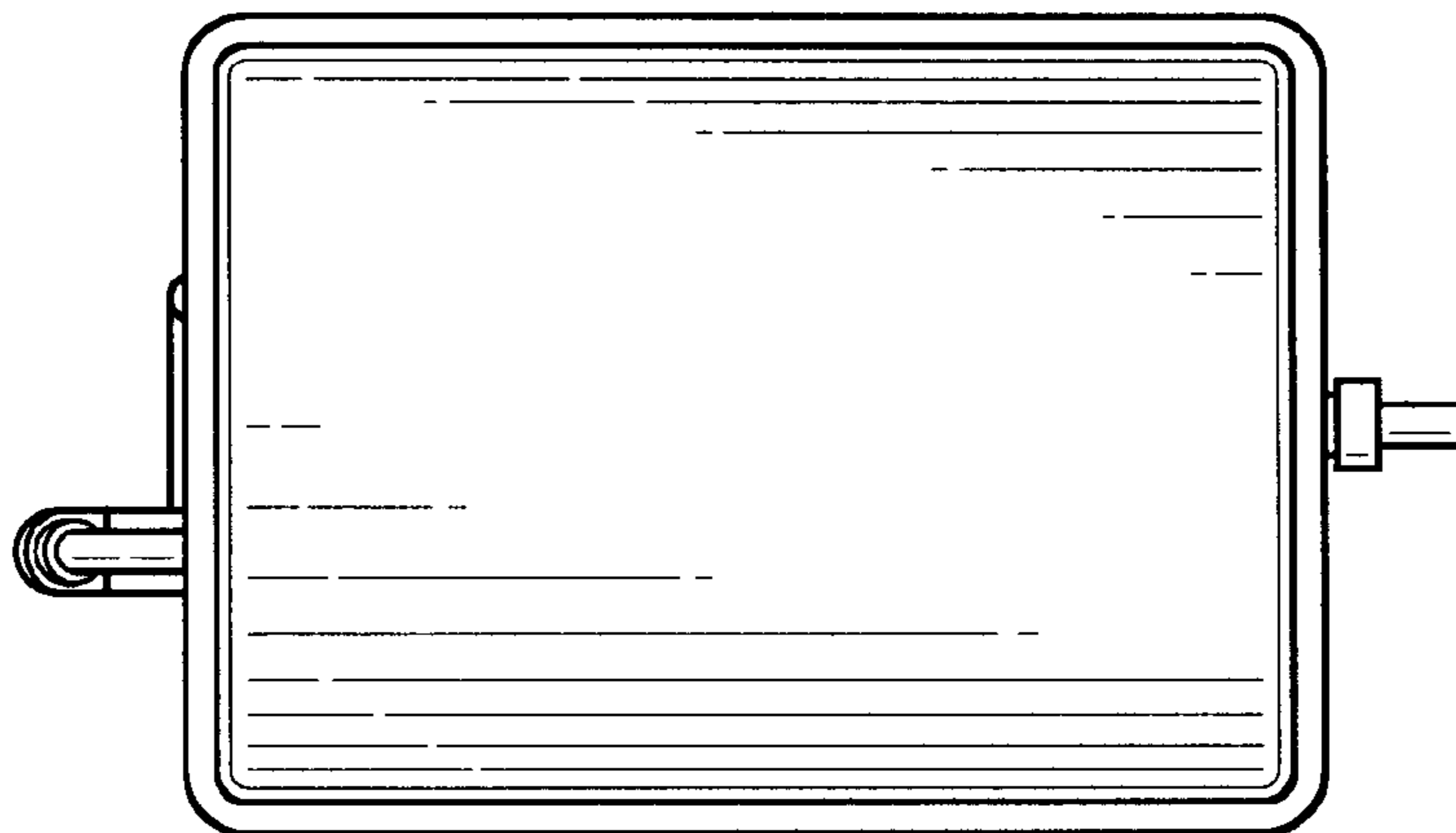


FIG-44