



US00D424736S

United States Patent [19]
Johnson

[11] **Patent Number: Des. 424,736**
[45] **Date of Patent: ** May 9, 2000**

[54] **LOWER CAGE FOR LIGHTING FIXTURE**

1,846,813 2/1932 Pfeiffer 362/376 X

[75] Inventor: **Aaron Johnson**, Arlington, Tex.

OTHER PUBLICATIONS

Lightcraft of California lighting catalog, p. 51, Jan. 1971.

[73] Assignee: **Quorum International**, Fort Worth, Tex.

Primary Examiner—Susan J. Lucas
Attorney, Agent, or Firm—Felsman, Bradley, Vaden, Gunter & Dillon, LLP

[**] Term: **14 Years**

[21] Appl. No.: **29/098,689**

[57] **CLAIM**

The ornamental design for a lower cage for lighting fixture, as shown and described.

[22] Filed: **Jan. 4, 1999**

[51] **LOC (7) Cl.** **26-99**

[52] **U.S. Cl.** **D26/119**

[58] **Field of Search** D26/72, 80-92,
D26/119; 362/404-408, 147, 376

DESCRIPTION

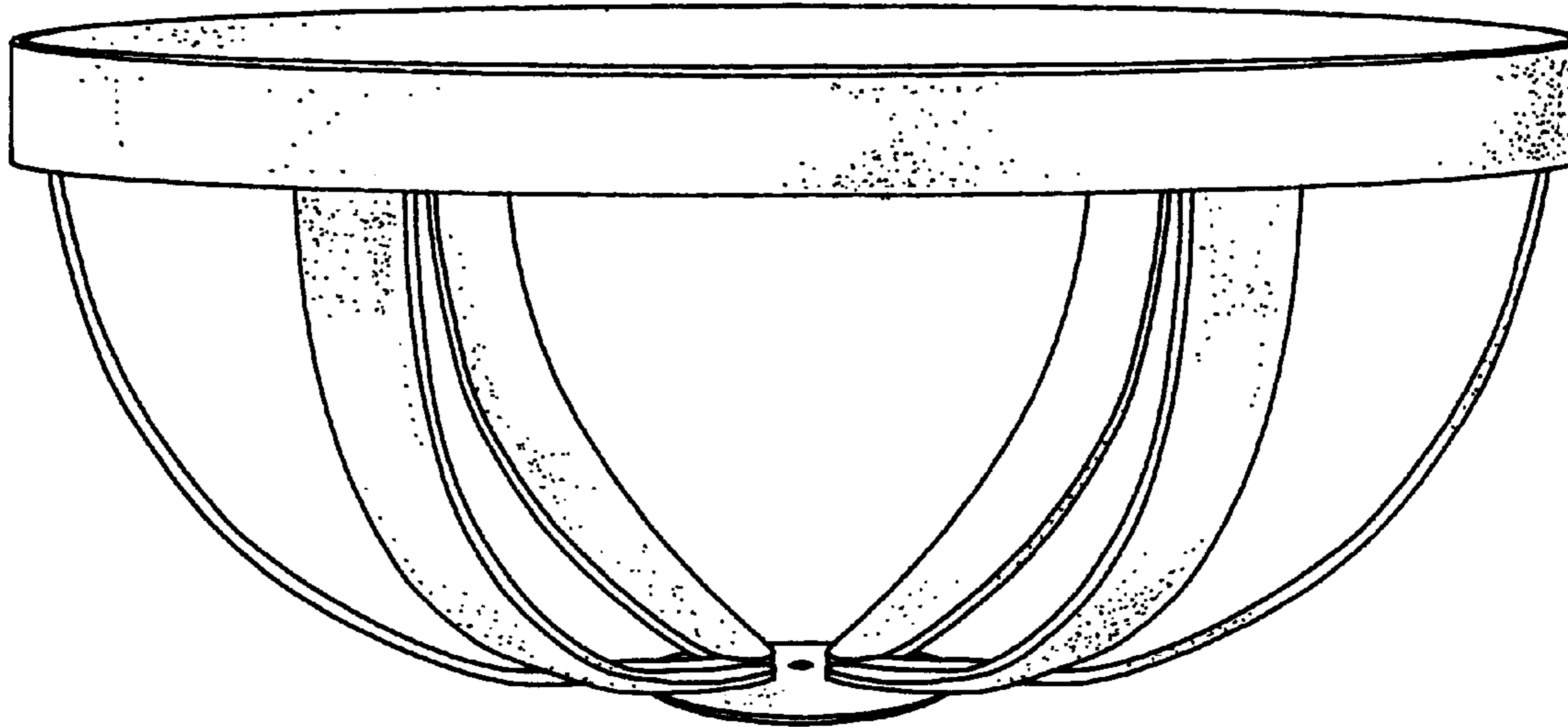
FIG. 1 is a side view of the lower cage for lighting fixture; FIG. 2 is a side view of the lower cage for lighting fixture offset from the view of FIG. 1 by an angle of thirty degrees; FIG. 3 is a top view of the lower cage for lighting fixture; and, FIG. 4 is a bottom view of the lower cage for lighting fixture.

[56] **References Cited**

U.S. PATENT DOCUMENTS

- D. 75,869 7/1928 Pfeiffer D26/119
- D. 197,187 12/1963 Lasker .

1 Claim, 4 Drawing Sheets



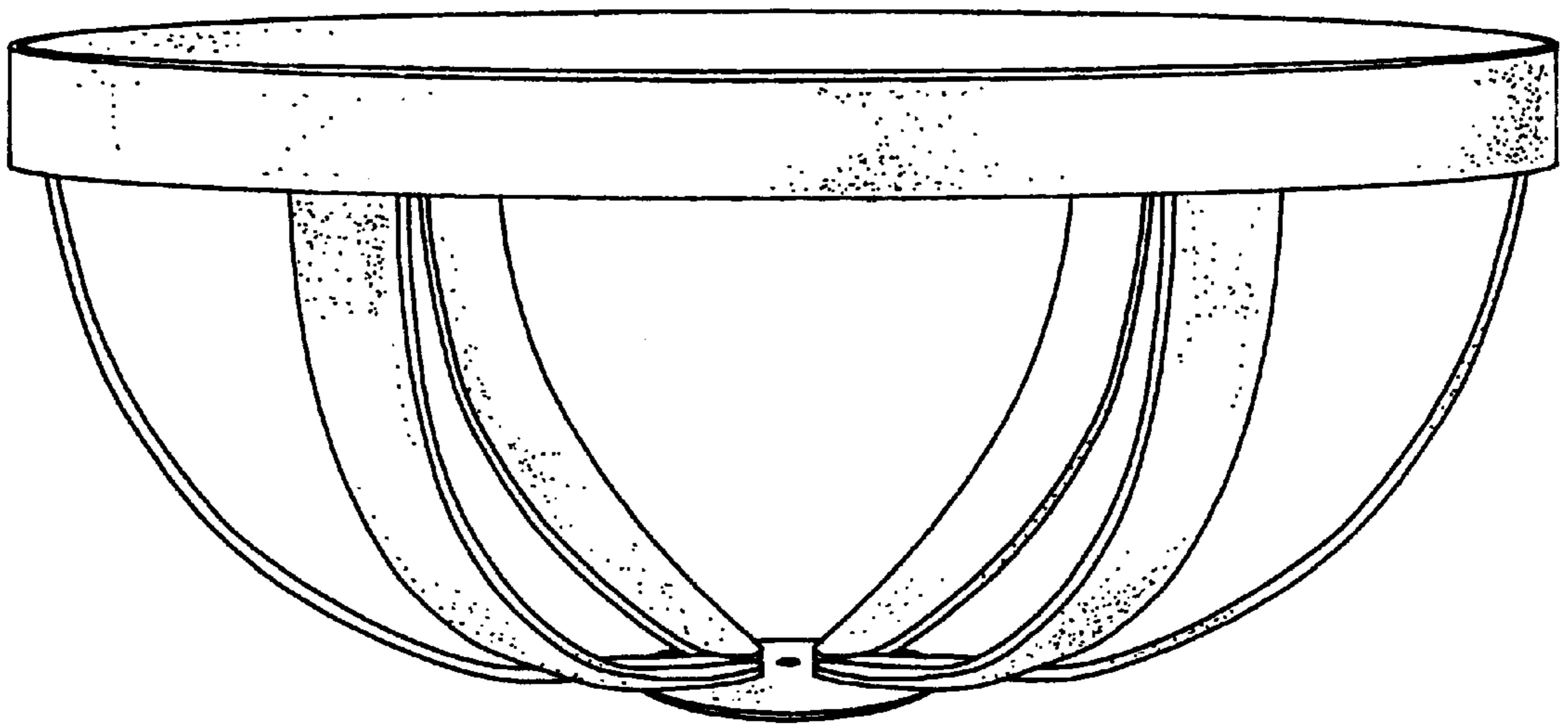


FIG. 1

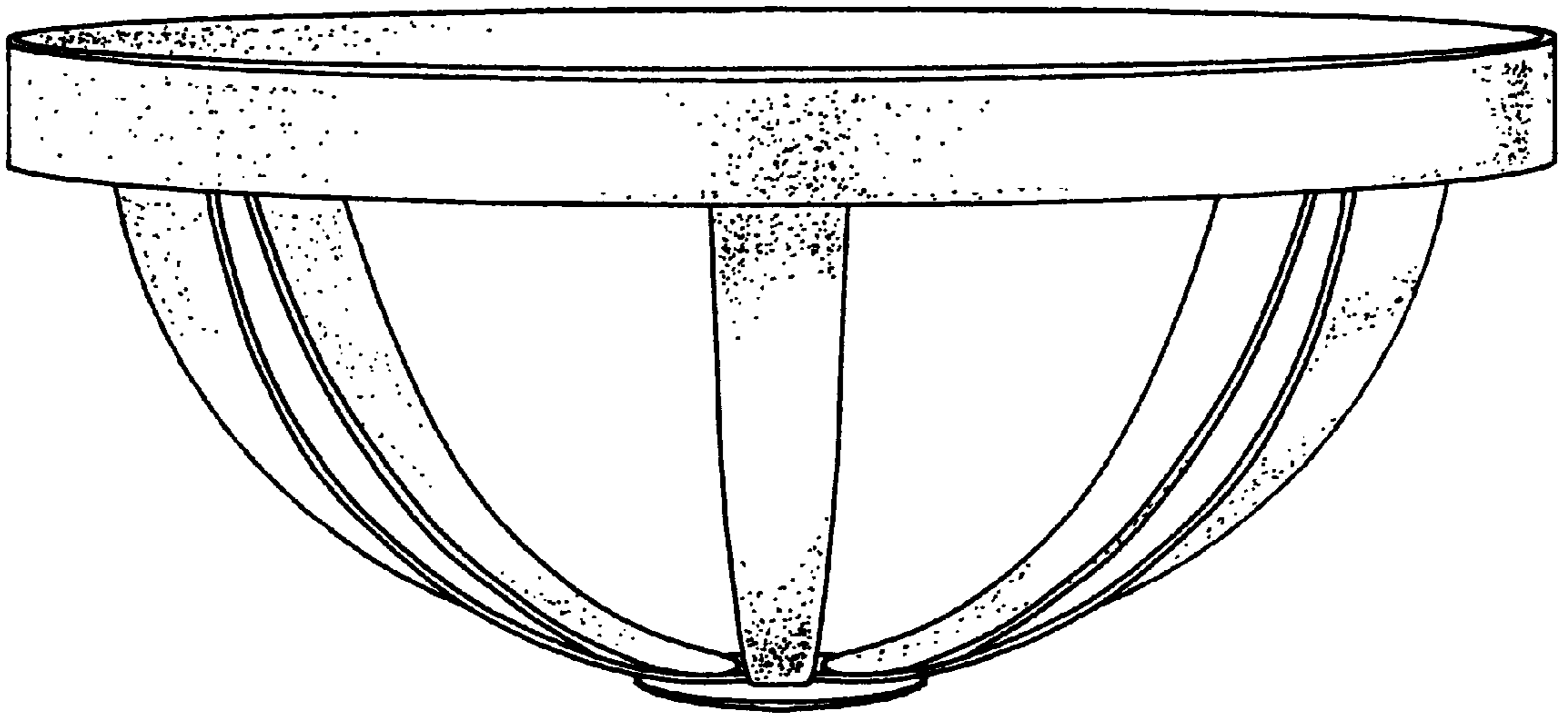


FIG. 2

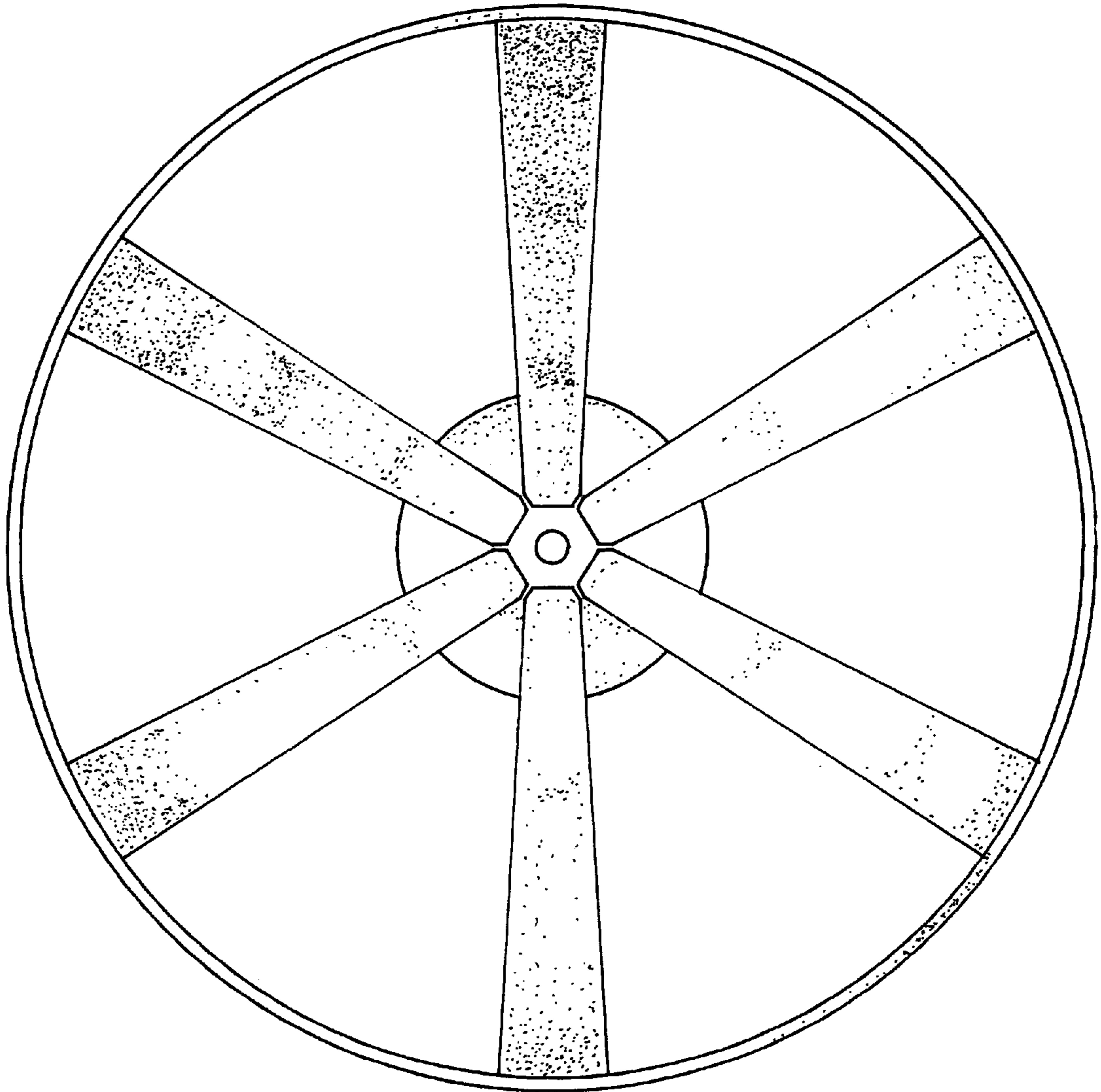


FIG. 3

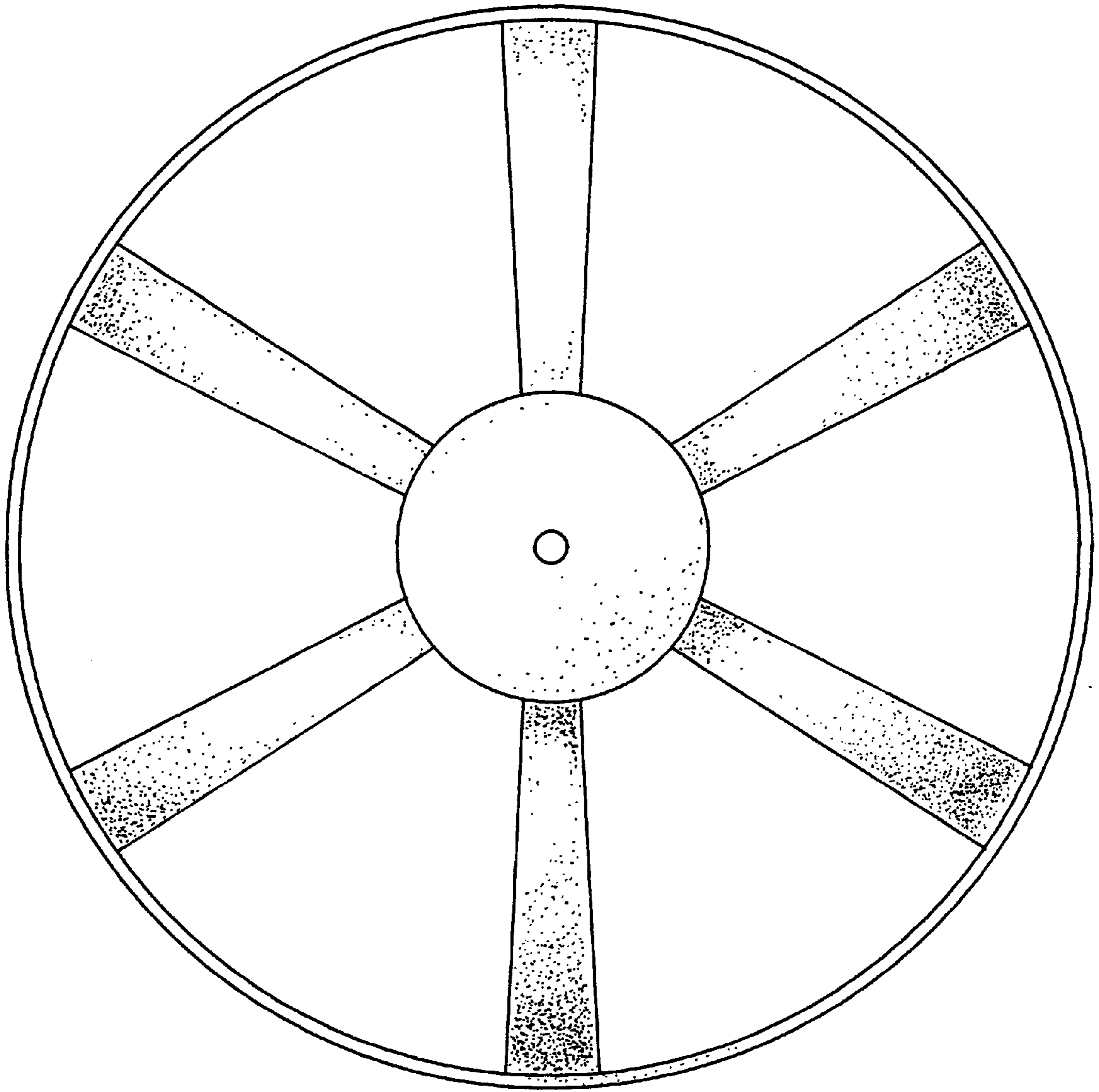


FIG. 4