



US00D424735S

United States Patent [19]

Newhouse

[11] **Patent Number: Des. 424,735**

[45] **Date of Patent: ** May 9, 2000**

[54] **DESK LAMP**

[76] Inventor: **Thomas J. Newhouse**, 0-10923 2nd Ave., Grand Rapids, Mich. 49544-6753

[**] Term: **14 Years**

[21] Appl. No.: **29/099,056**

[22] Filed: **Jan. 12, 1999**

[51] **LOC (7) Cl. 26-05**

[52] **U.S. Cl. D26/108; D26/107**

[58] **Field of Search D26/93, 102-112, D26/63, 65; 362/410-414**

[56] **References Cited**

U.S. PATENT DOCUMENTS

- D. 392,068 3/1998 Newhouse D26/107
- D. 408,577 4/1999 Arndt D26/107

Primary Examiner—Susan J. Lucas
Attorney, Agent, or Firm—Waters and Morse, P.C.

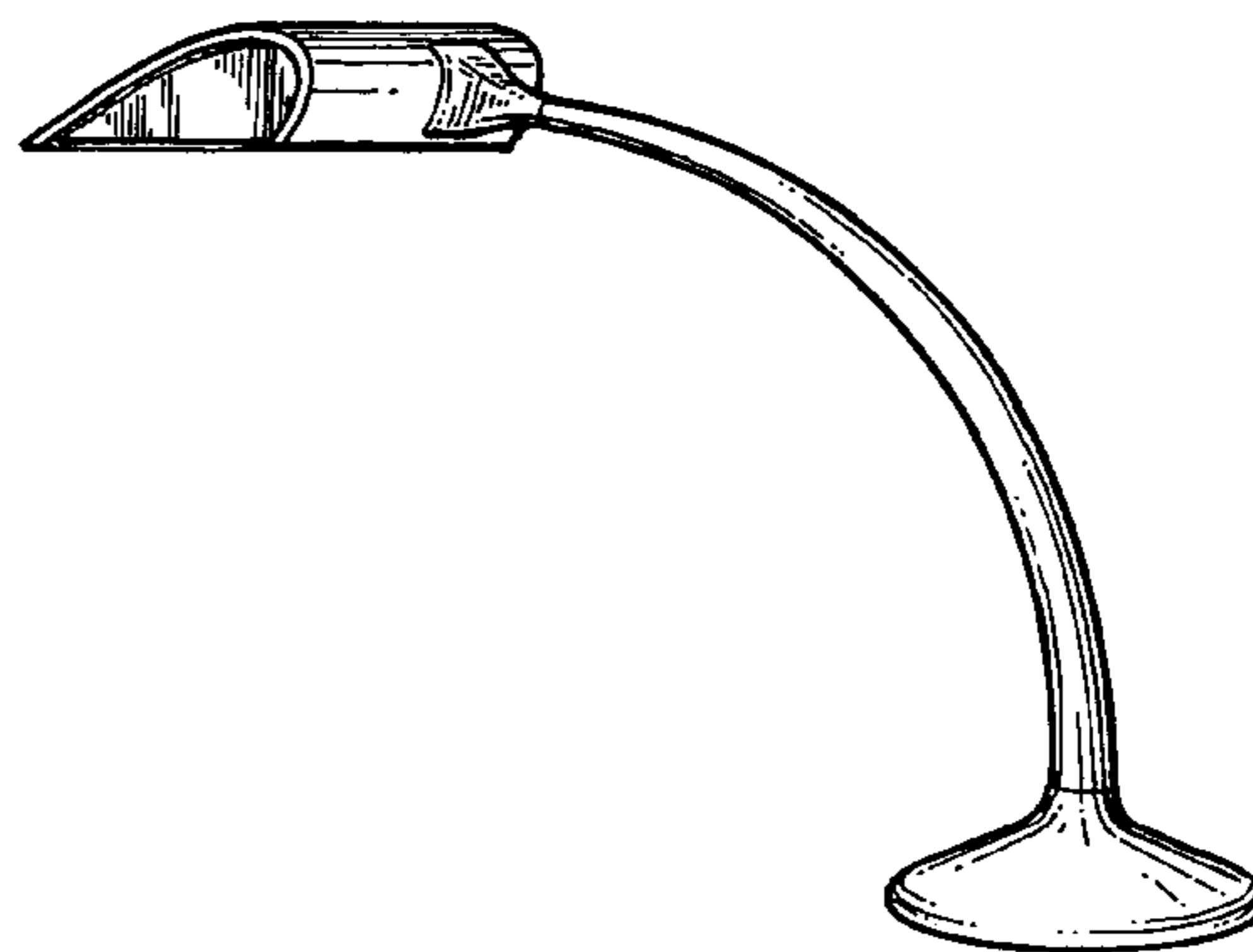
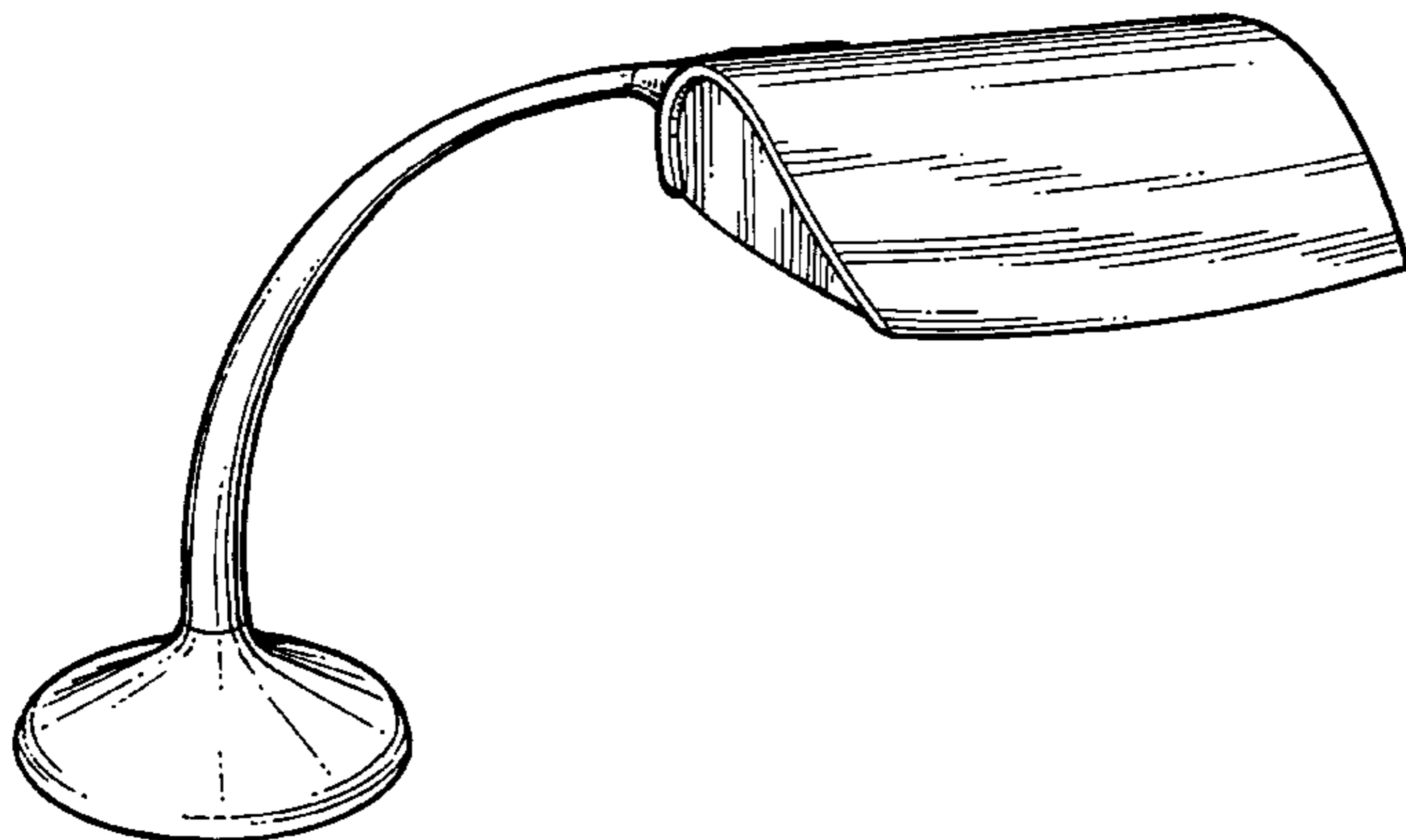
[57] **CLAIM**

The ornamental design for a desk lamp, as shown and described.

DESCRIPTION

FIG. 1 is a front left perspective view of a desk lamp showing my new design;
 FIG. 2 is a back right perspective view thereof;
 FIG. 3 is a front elevational view thereof;
 FIG. 4 is a rear elevational view thereof;
 FIG. 5 is a left side elevational view thereof, the right side elevational view being a mirror image thereof;
 FIG. 6 is a top plan view thereof; and,
 FIG. 7 is a bottom plan view thereof.

1 Claim, 4 Drawing Sheets



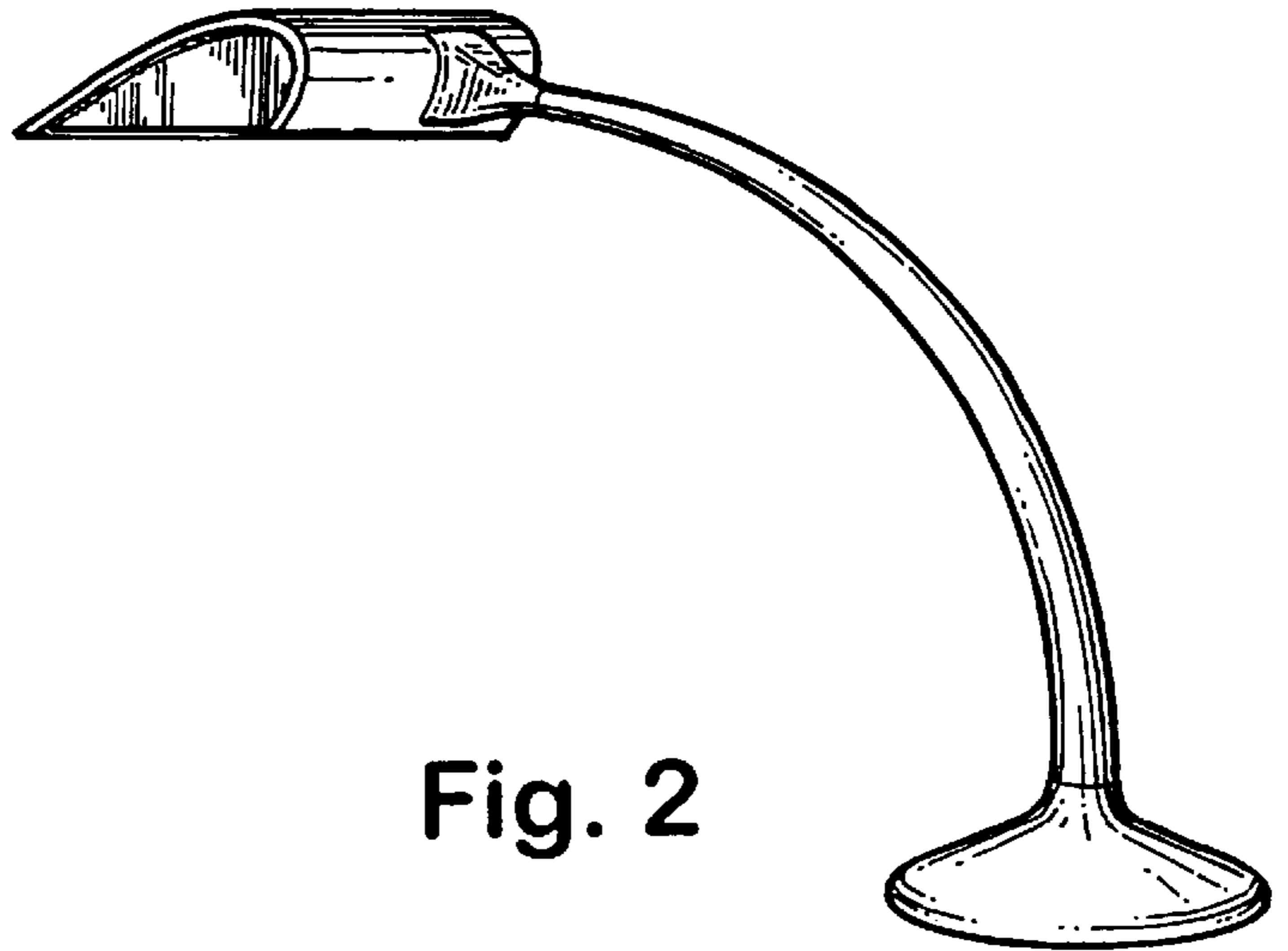


Fig. 2

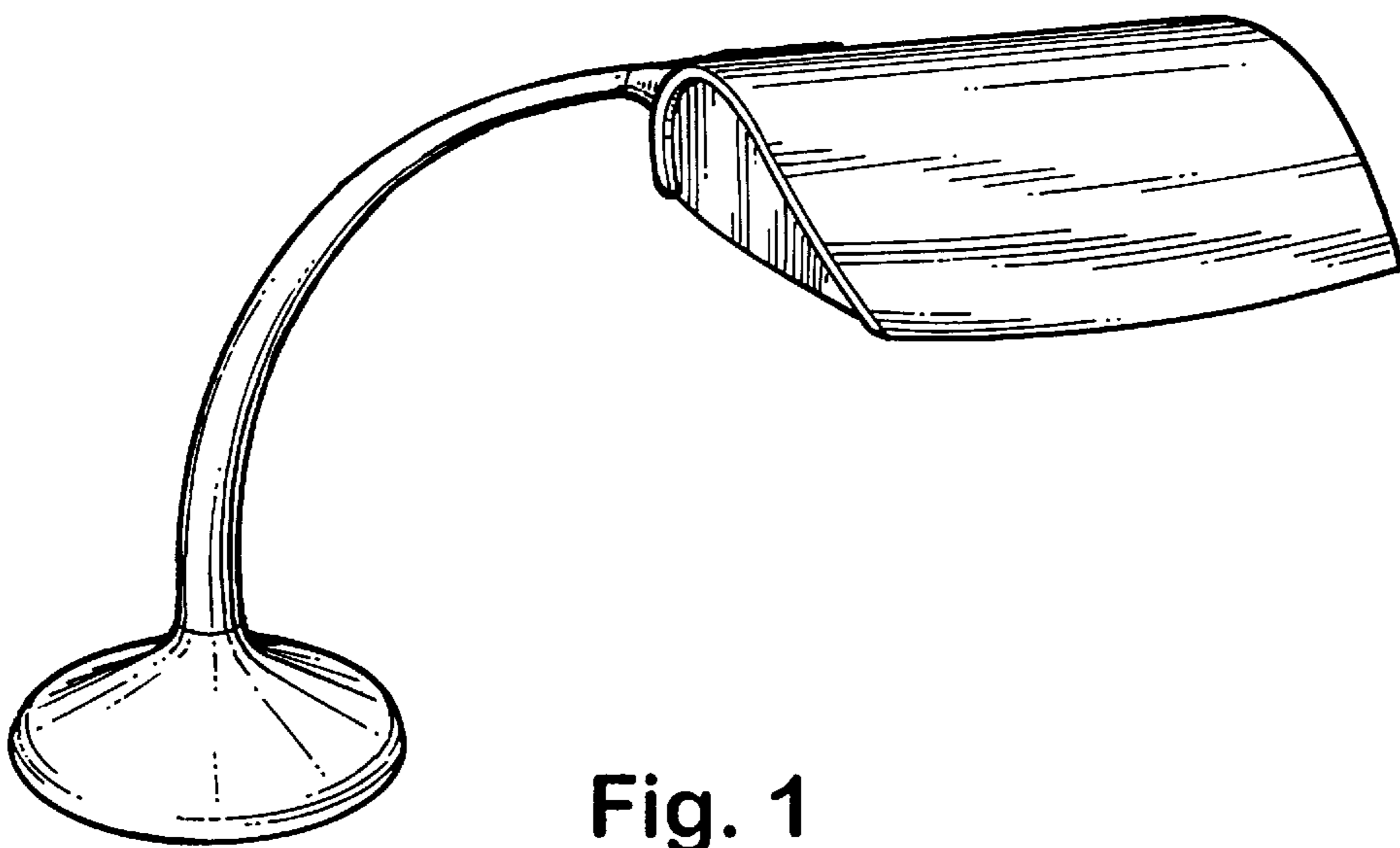


Fig. 1

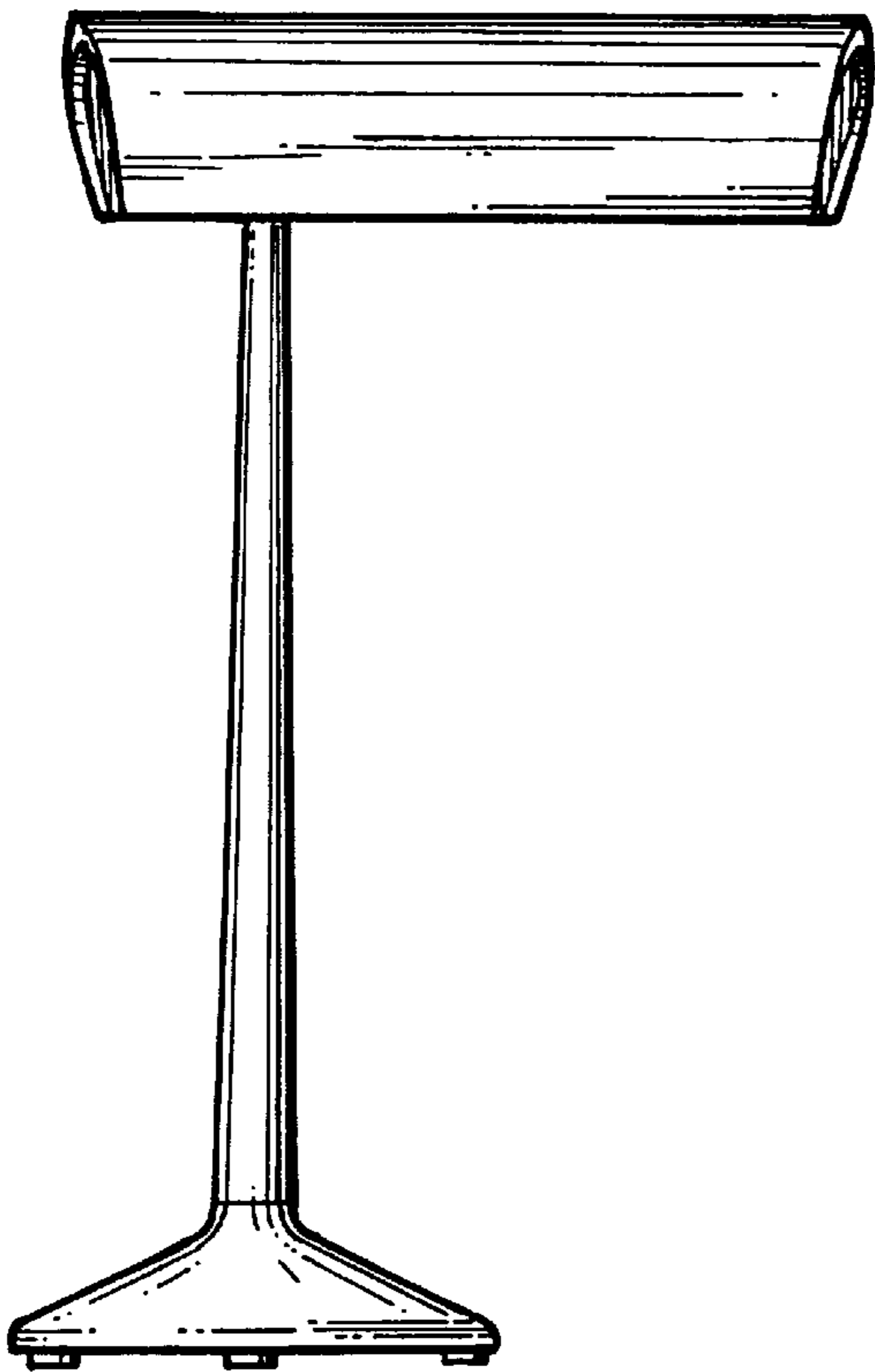


Fig. 3

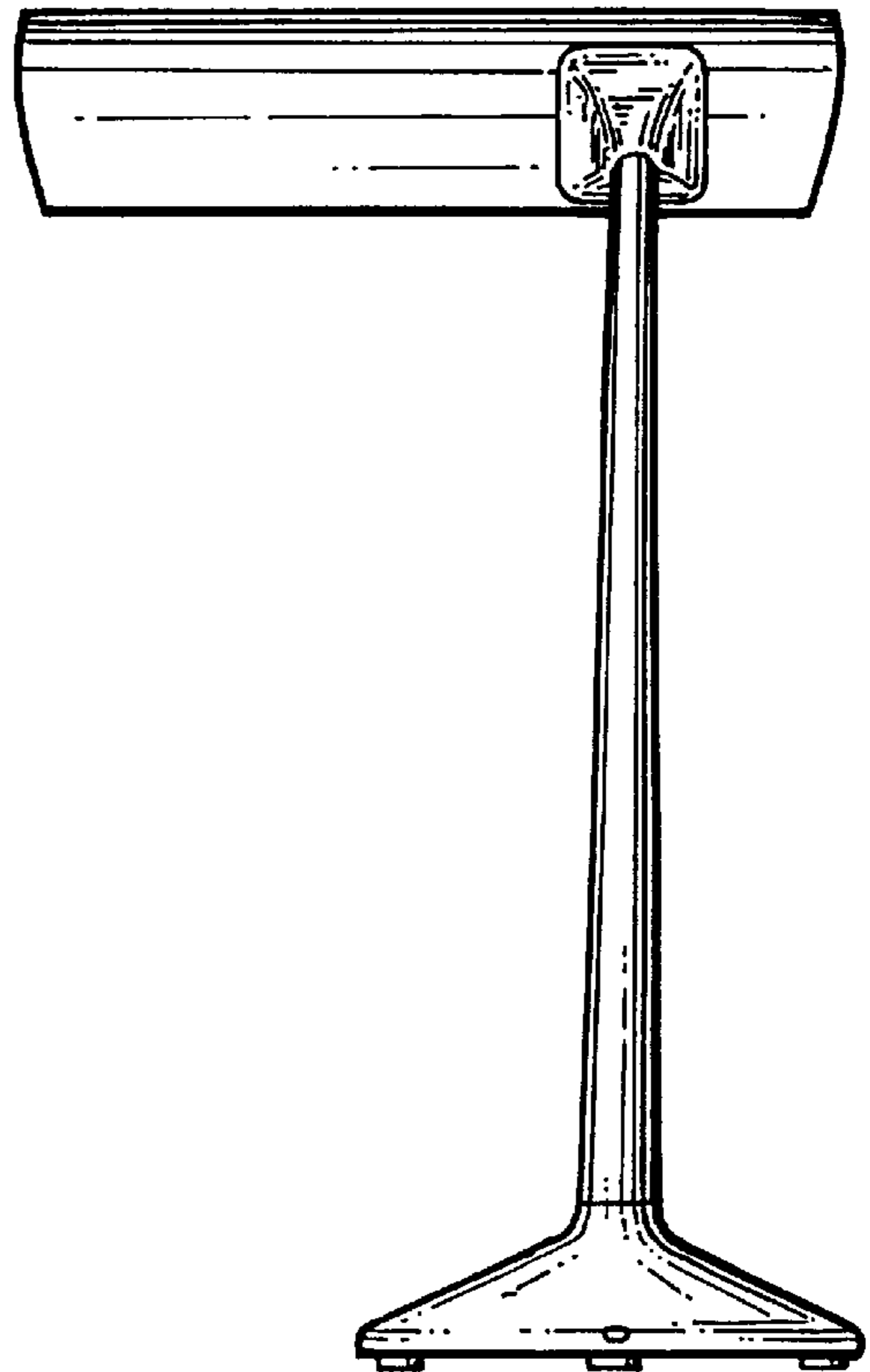
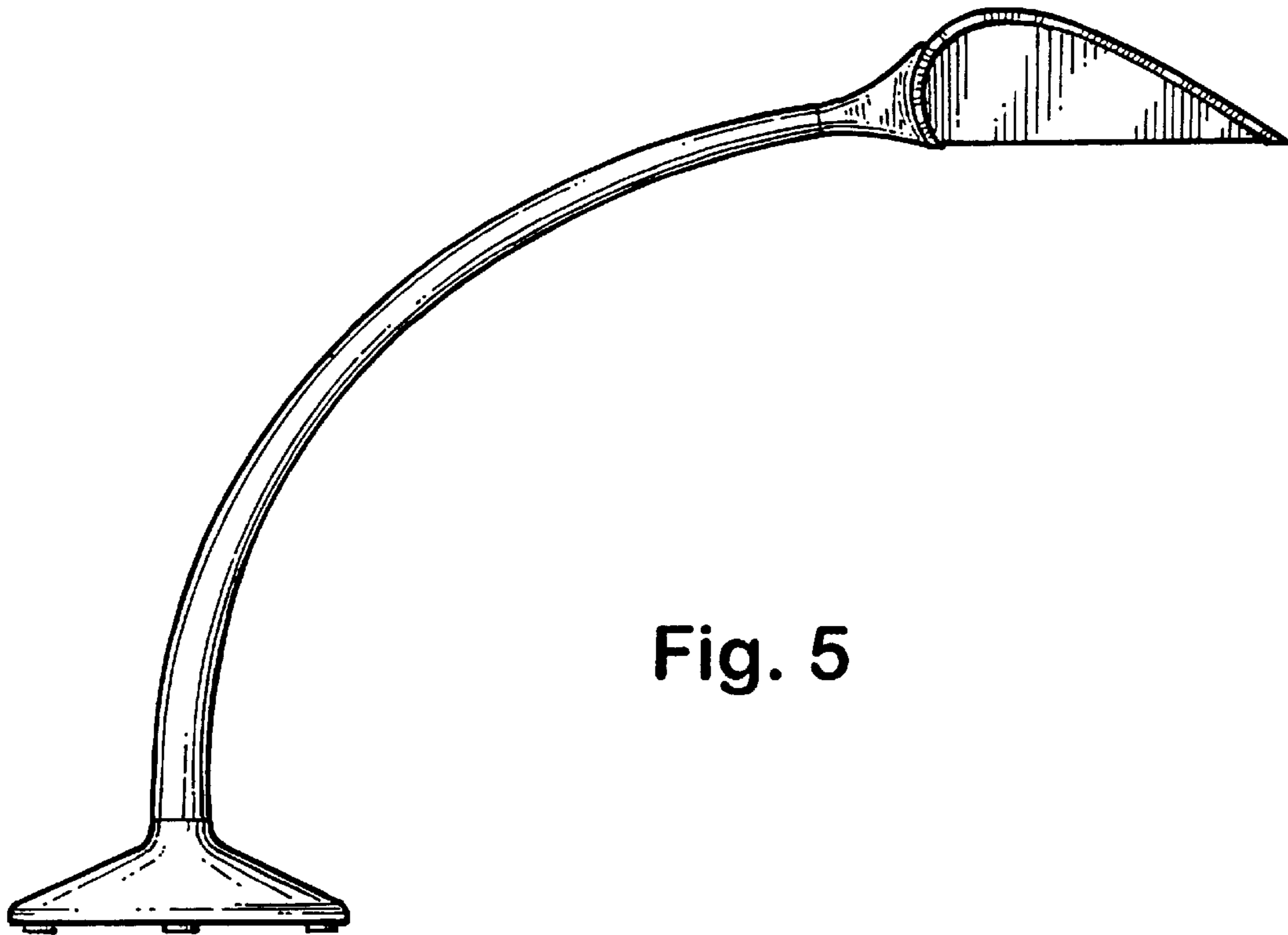
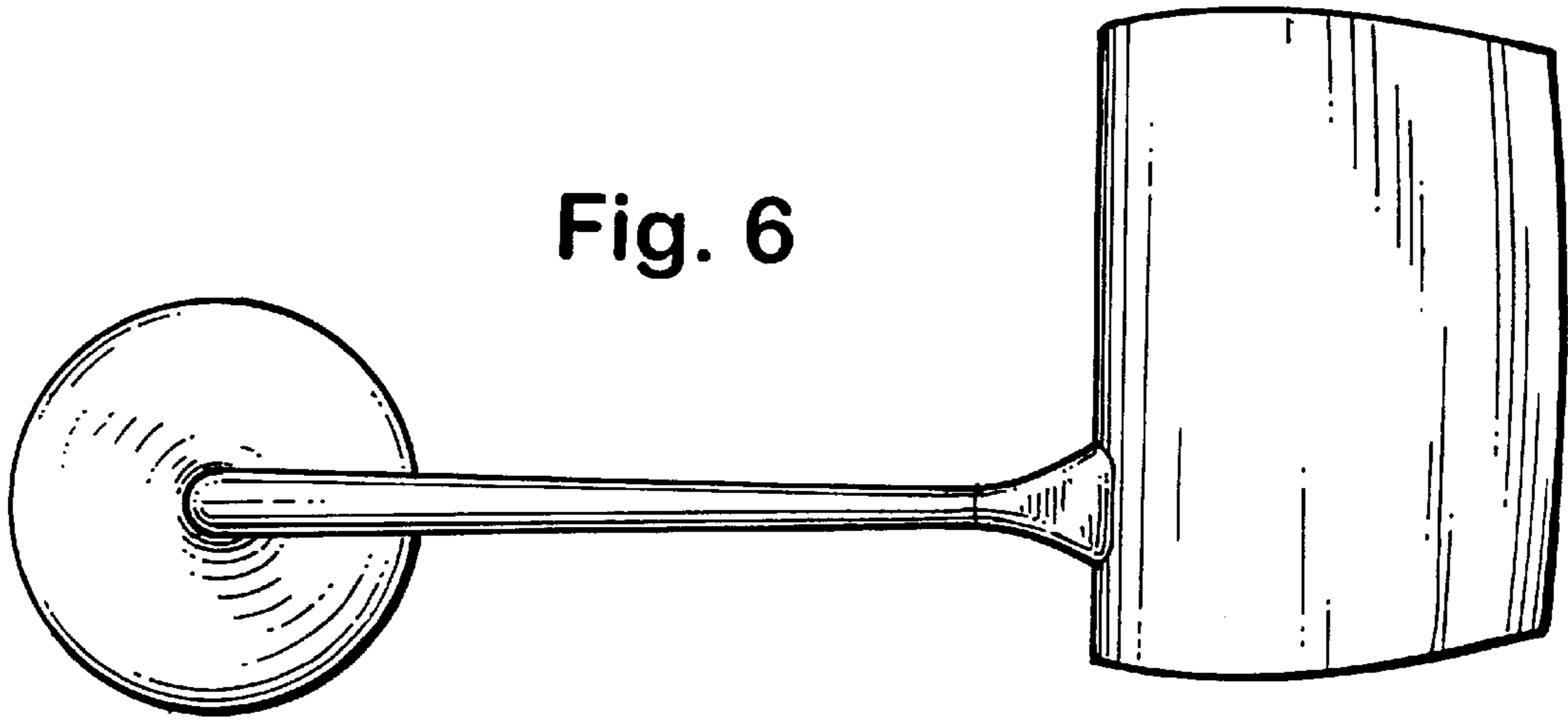


Fig. 4



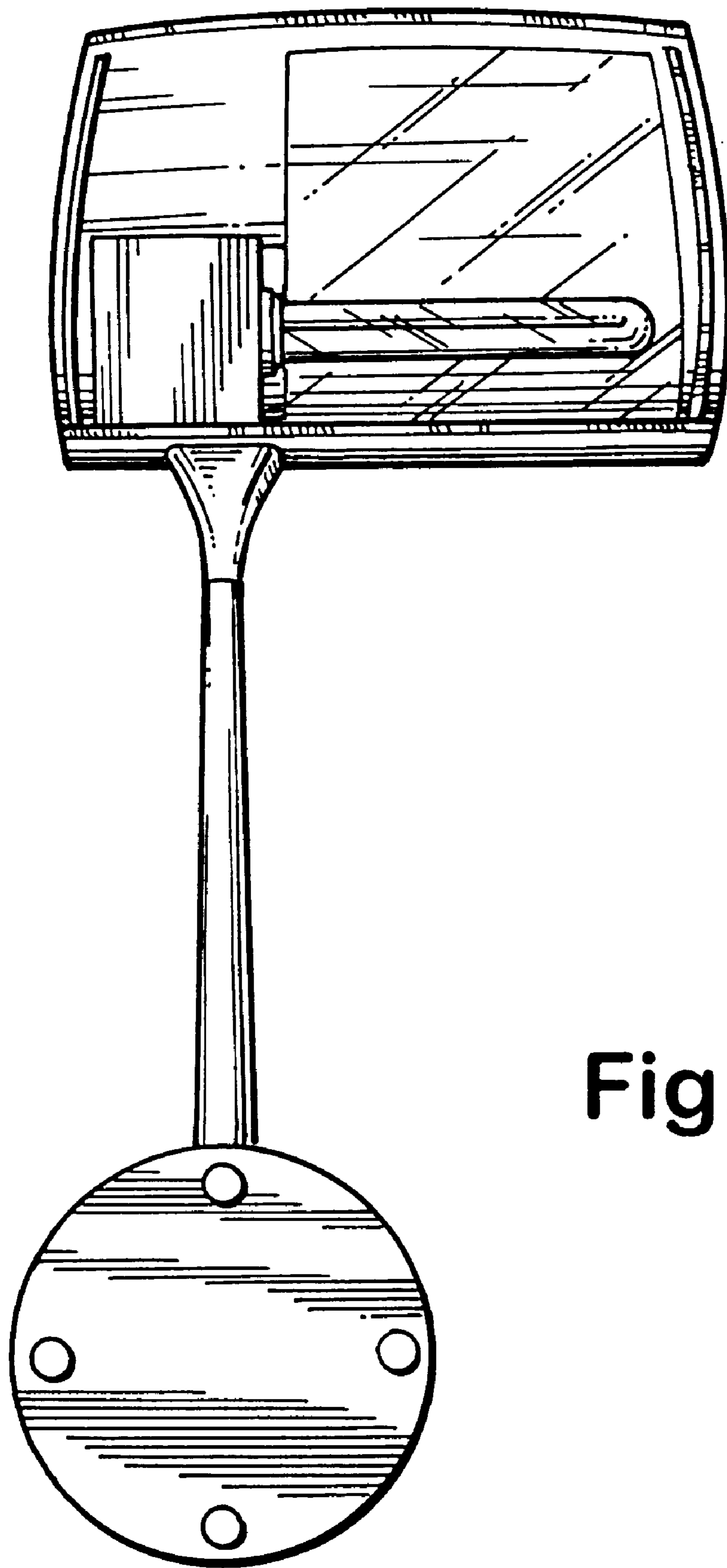


Fig. 7