



US00D424732S

United States Patent [19] Cece

[11] **Patent Number: Des. 424,732**

[45] **Date of Patent: ** May 9, 2000**

[54] **LIGHT FIXTURE**

[75] Inventor: **Dennis F. Cece**, Granger, Ind.

[73] Assignee: **Ramco Industries, Inc.**, Elkhart, Ind.

[**] Term: **14 Years**

[21] Appl. No.: **29/093,645**

[22] Filed: **Sep. 15, 1998**

[51] **LOC (7) Cl.** **26-05**

[52] **U.S. Cl.** **D26/76**

[58] **Field of Search** D26/72, 75, 76,
D26/77, 78; 362/147, 432, 217, 218, 222,
223, 224, 225

[56] **References Cited**

U.S. PATENT DOCUMENTS

4,660,131 4/1987 Herst et al. 362/223

OTHER PUBLICATIONS

Kichler lighting catalog, p. 75, fluorescent lighting fixture # K-10024/10099, Sep. 1990.

Lightolier lighting catalog, p. 51, fluorescent lighting fixture, # 10304UU, Sep. 1990.

Primary Examiner—Susan J. Lucas
Attorney, Agent, or Firm—Price, Heneveld, Cooper, DeWitt & Litton

[57] **CLAIM**

I claim the ornamental design for the light fixture, as shown and described.

DESCRIPTION

FIG. 1 is a perspective view of a fluorescent light fixture, showing my new design;

FIG. 2 is a bottom view thereof;

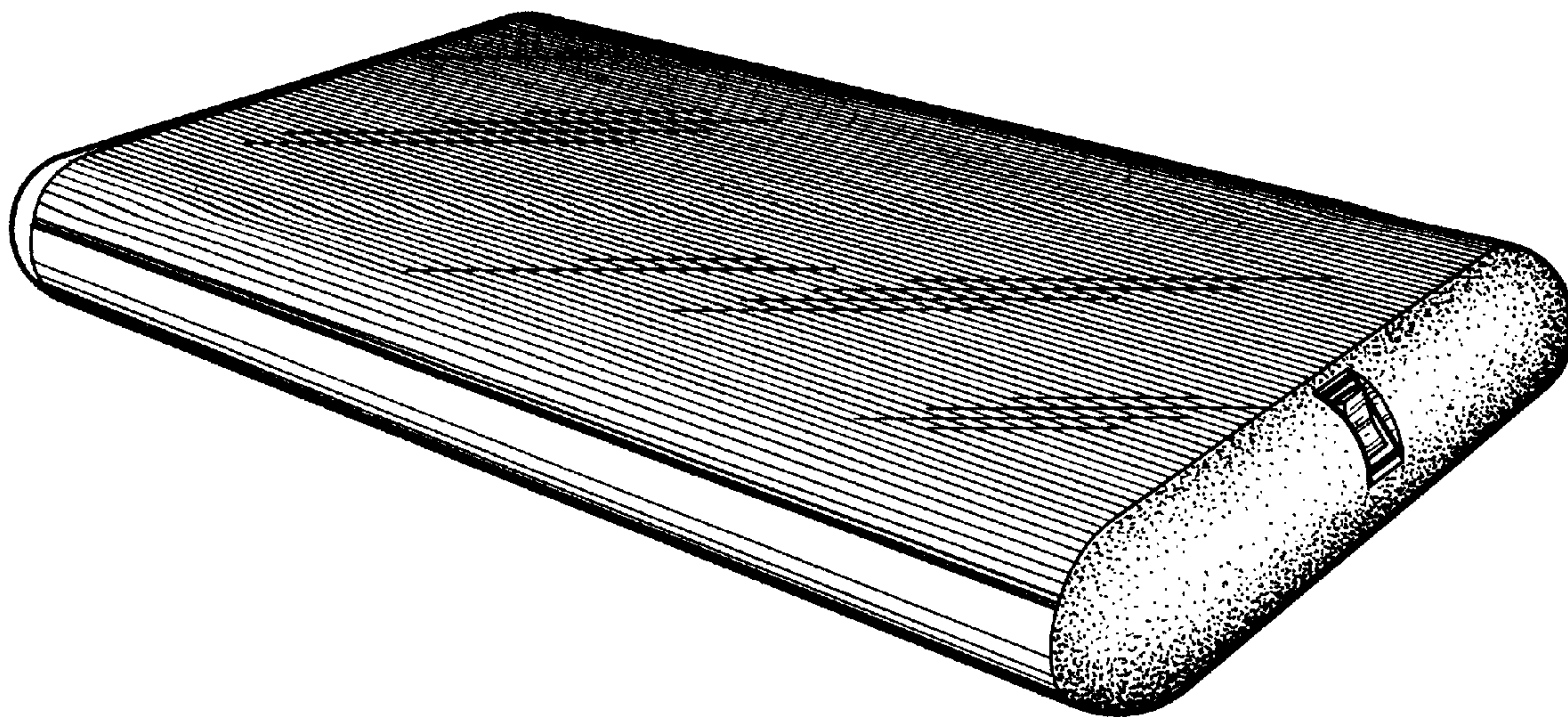
FIG. 3 is a front elevational view thereof, and the back being a mirror image;

FIG. 4 is a top plan view thereof, the center panel being shown in broken lines for illustrative purposes only and forming no part of the claimed design.

FIG. 5 is a right elevational view; and,

FIG. 6 is a left elevational view.

1 Claim, 2 Drawing Sheets



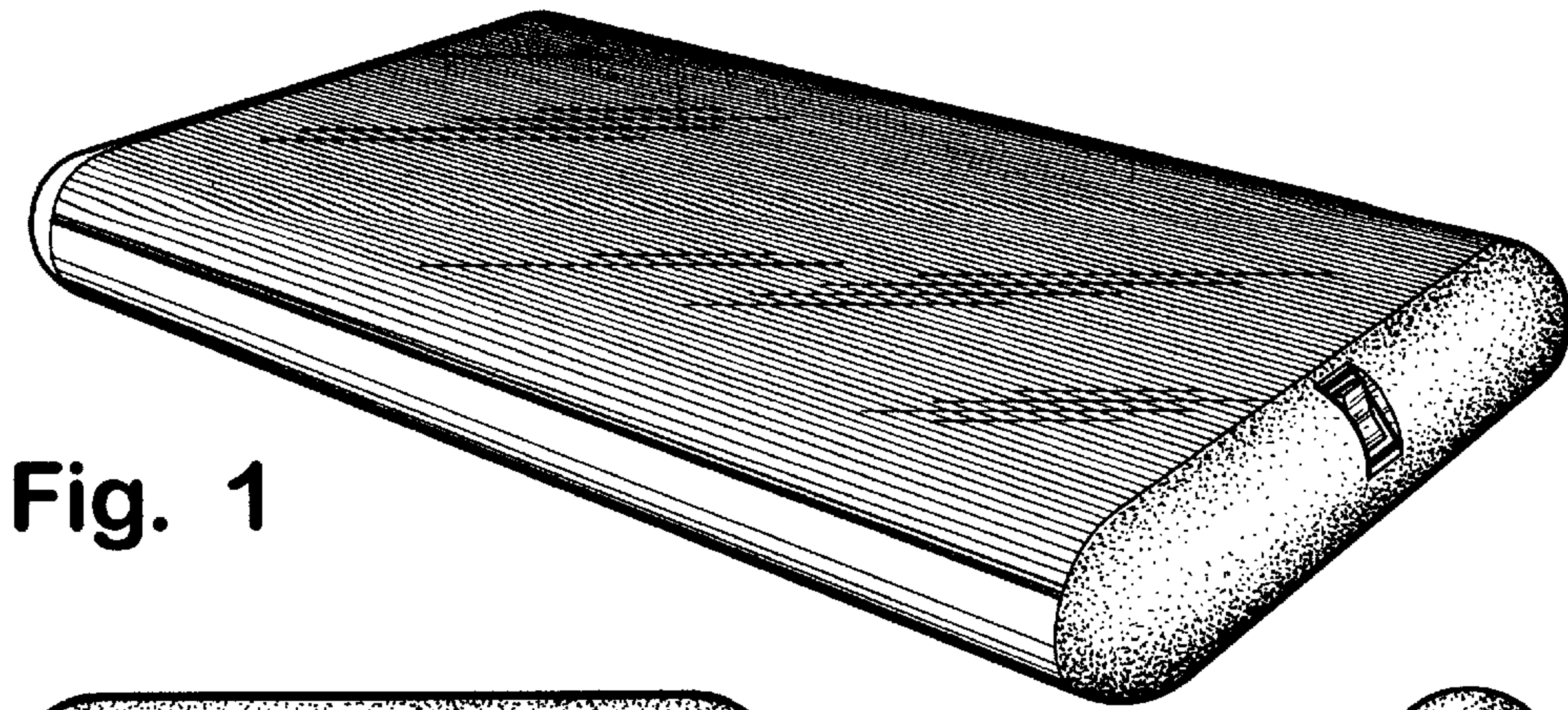


Fig. 1

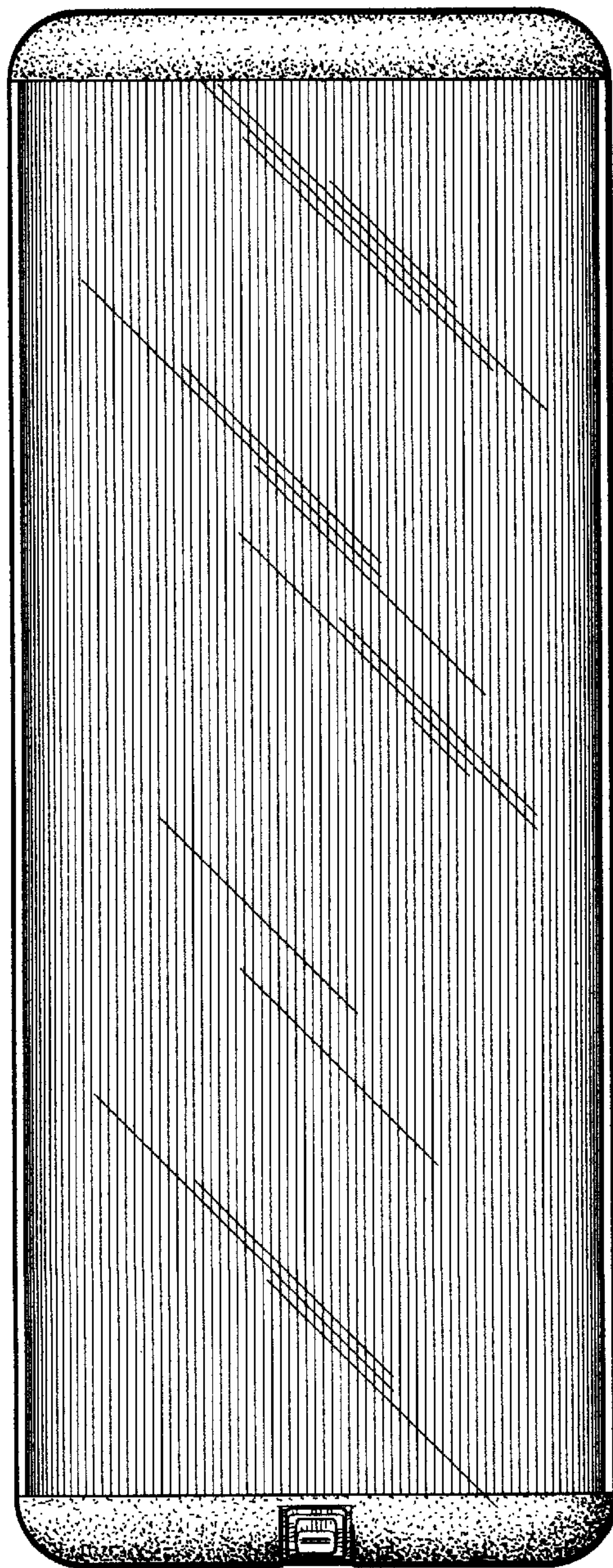


Fig. 2

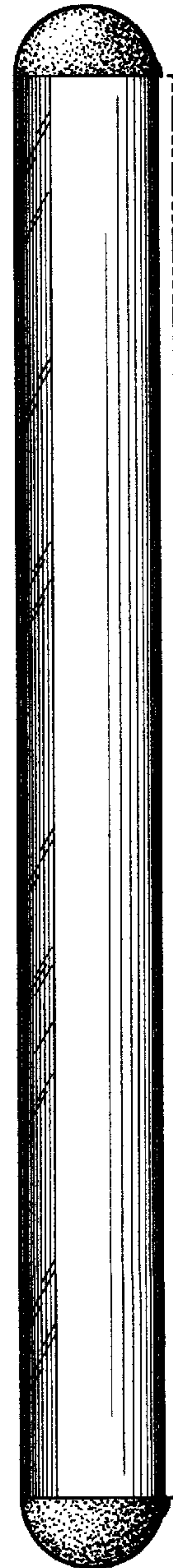


Fig. 3

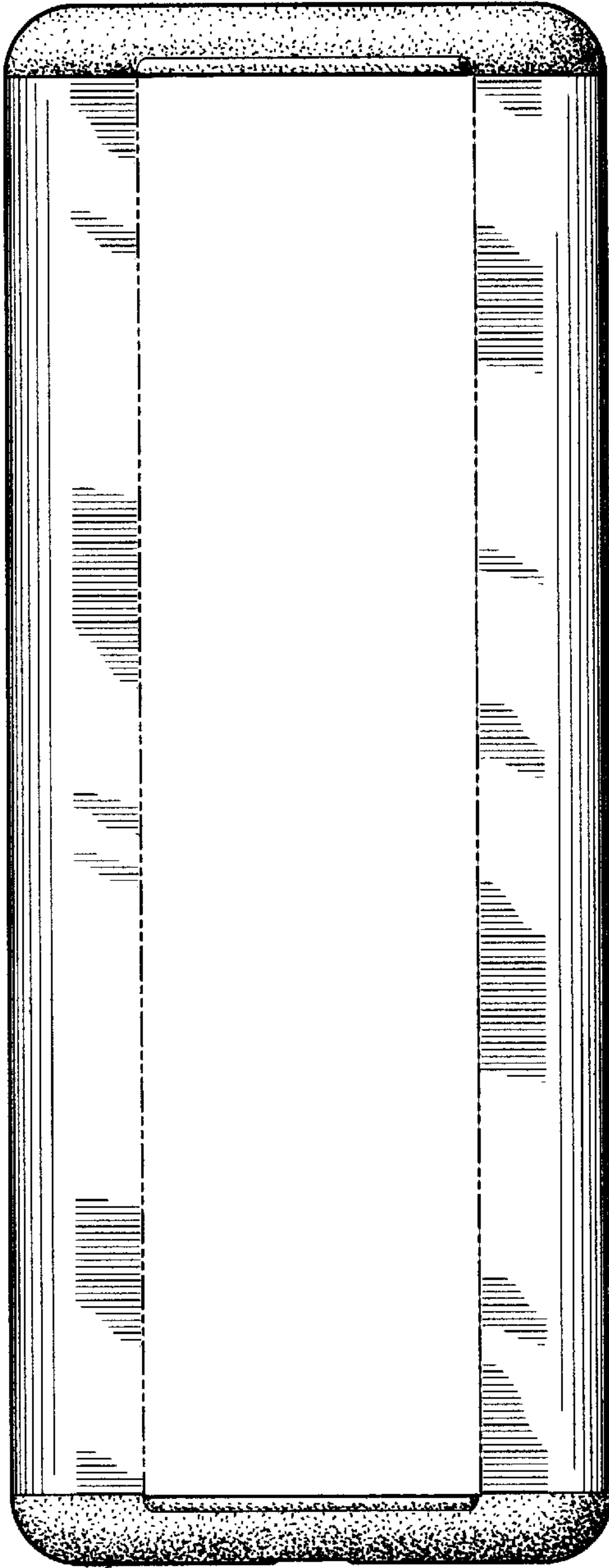


Fig. 4



Fig. 5

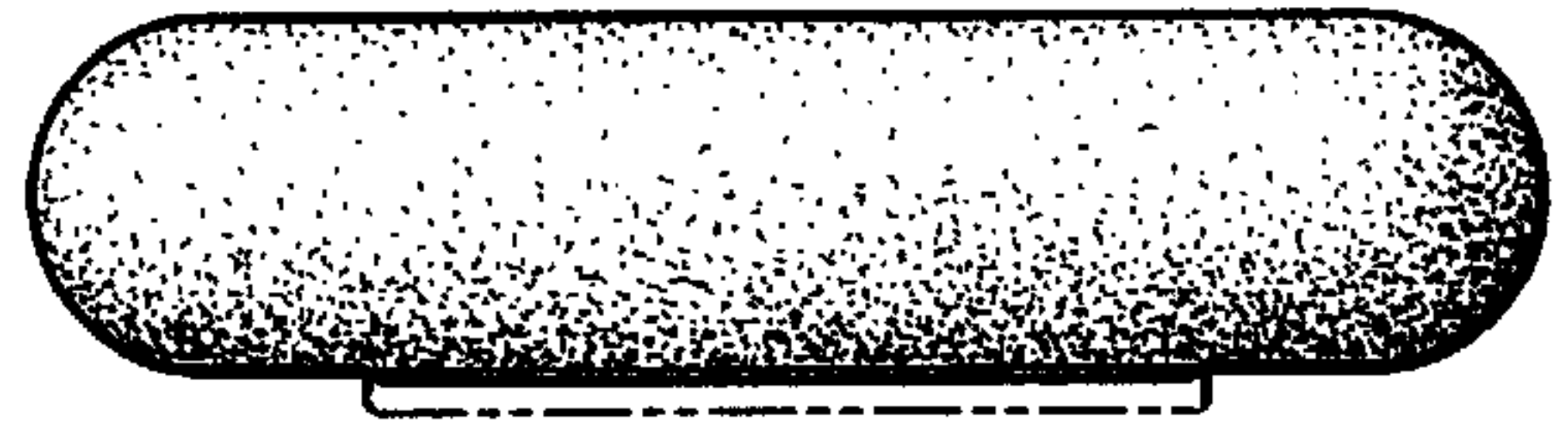


Fig. 6