



US00D424731S

United States Patent [19]
Landefeld

[11] **Patent Number: Des. 424,731**

[45] **Date of Patent: ** May 9, 2000**

[54] **LANDSCAPE LUMINAIRE**

[75] Inventor: **Cory W. Landefeld**, Long Beach, Calif.

[73] Assignee: **Kim Lighting Inc.**, City of Industry, Calif.

[**] Term: **14 Years**

[21] Appl. No.: **29/090,706**

[22] Filed: **Jul. 14, 1998**

[51] **LOC (7) Cl.** **26-05**

[52] **U.S. Cl.** **D26/68; D26/63**

[58] **Field of Search** **D26/67-71, 63; 362/431, 432, 197, 363, 267, 269, 275, 285, 287, 418, 419, 427, 153, 153.1, 183**

[56] **References Cited**

U.S. PATENT DOCUMENTS

D. 333,529	2/1993	Denison et al.	D26/68
D. 340,305	10/1993	Hall et al.	D26/68
D. 389,935	1/1998	Pink	D26/68
5,651,606	7/1997	Krogman	362/267 X

Primary Examiner—Susan J. Lucas
Attorney, Agent, or Firm—Lyon & Lyon LLP

[57] **CLAIM**

The ornamental design for a landscape luminaire, as shown and described.

DESCRIPTION

FIG. 1 is a top view of the new design;

FIG. 2 is a first side (right) view of the design;

FIG. 3 is a front view of the design;

FIG. 4 is a second side (left) view;

FIG. 5 is a bottom view of the design;

FIGS. 6 through 10 are a second embodiment of the design, and wherein FIG. 6 is a top view;

FIG. 7 is a first side (right) view of the design;

FIG. 8 is a front view of the design;

FIG. 9 is a second side (left) view;

FIG. 10 is a bottom view of the design;

FIGS. 11 through 15 are a third embodiment of the new design and wherein FIG. 11 is a top view;

FIG. 12 is a first side (right) view of the design;

FIG. 13 is a front view of the design;

FIG. 14 is a second side (left) view;

FIG. 15 is a bottom view of the design;

FIGS. 16 through 20 are a fourth embodiment of the new design and wherein FIG. 16 is a top view;

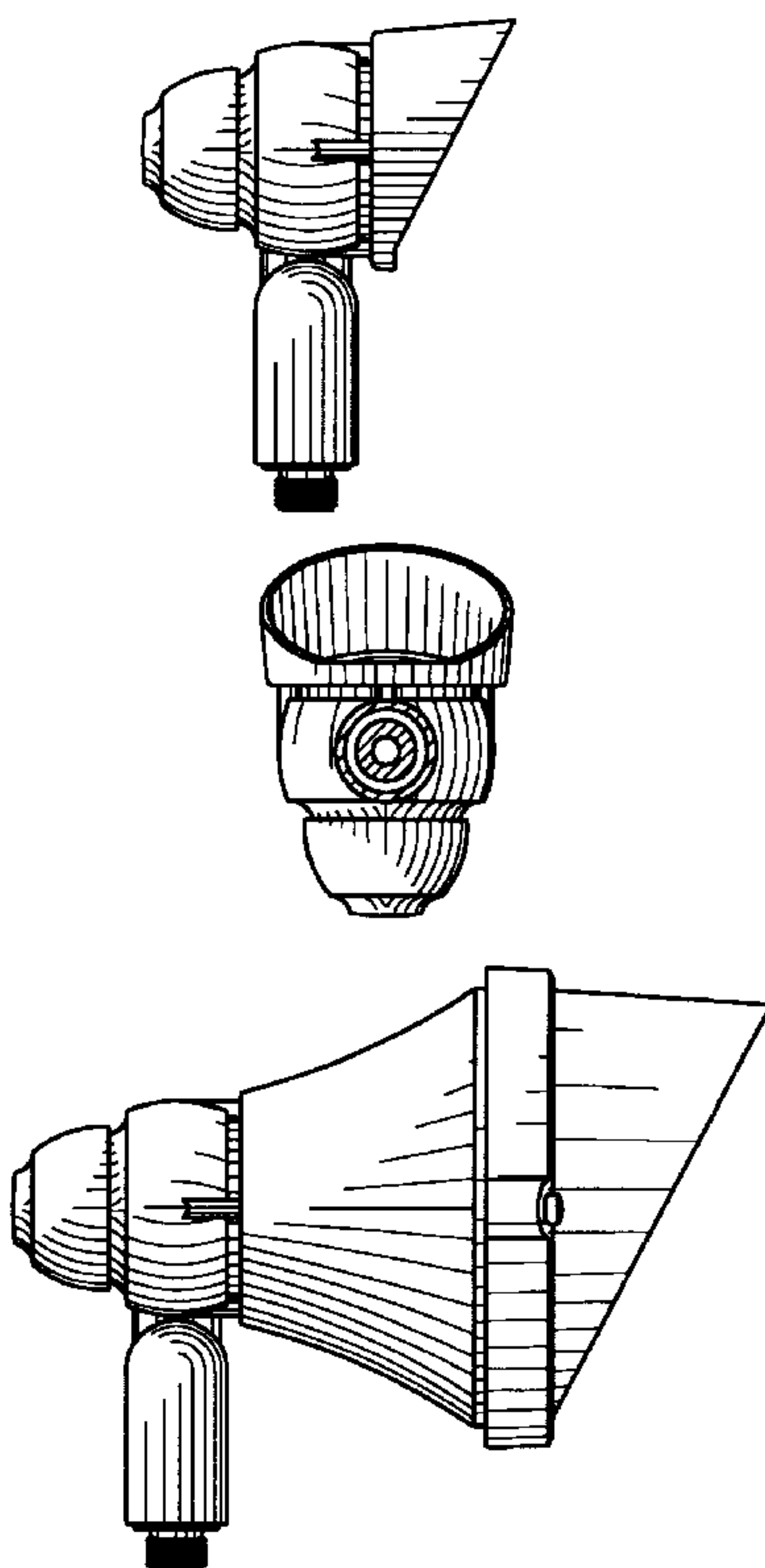
FIG. 17 is a front view;

FIG. 18 is a bottom view;

FIG. 19 is a first side (right) view; and,

FIG. 20 is a second side (left) view.

1 Claim, 5 Drawing Sheets



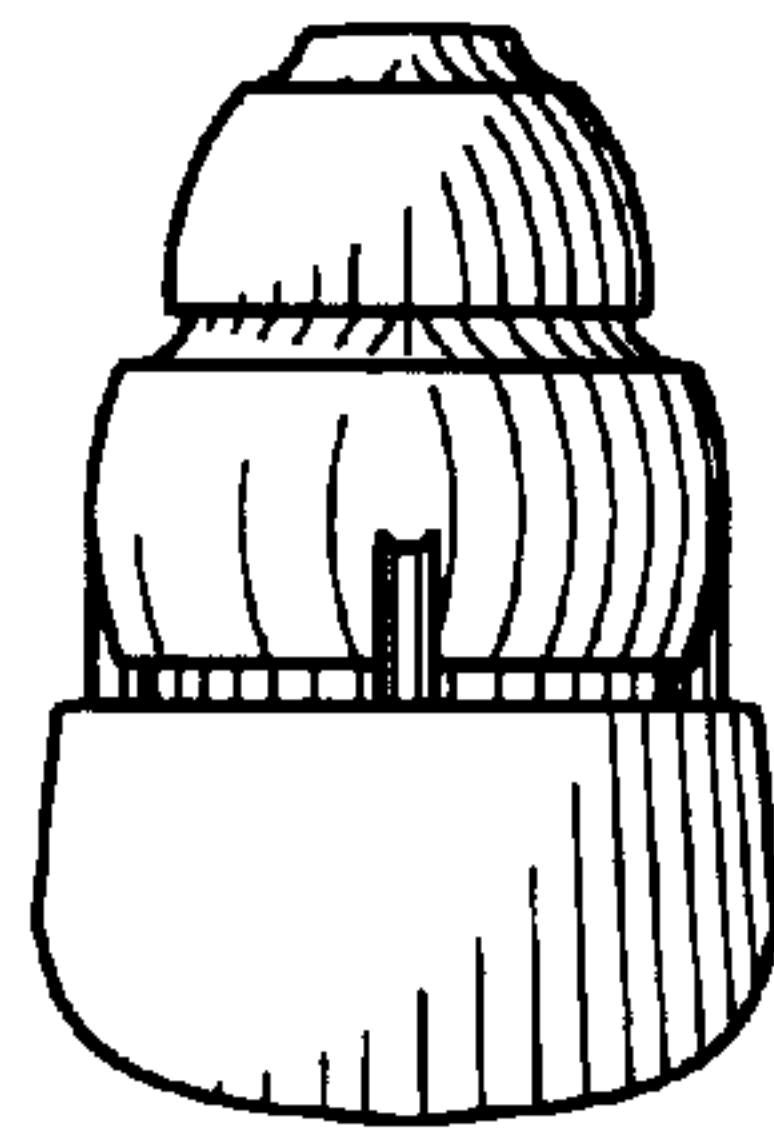


FIG. 1

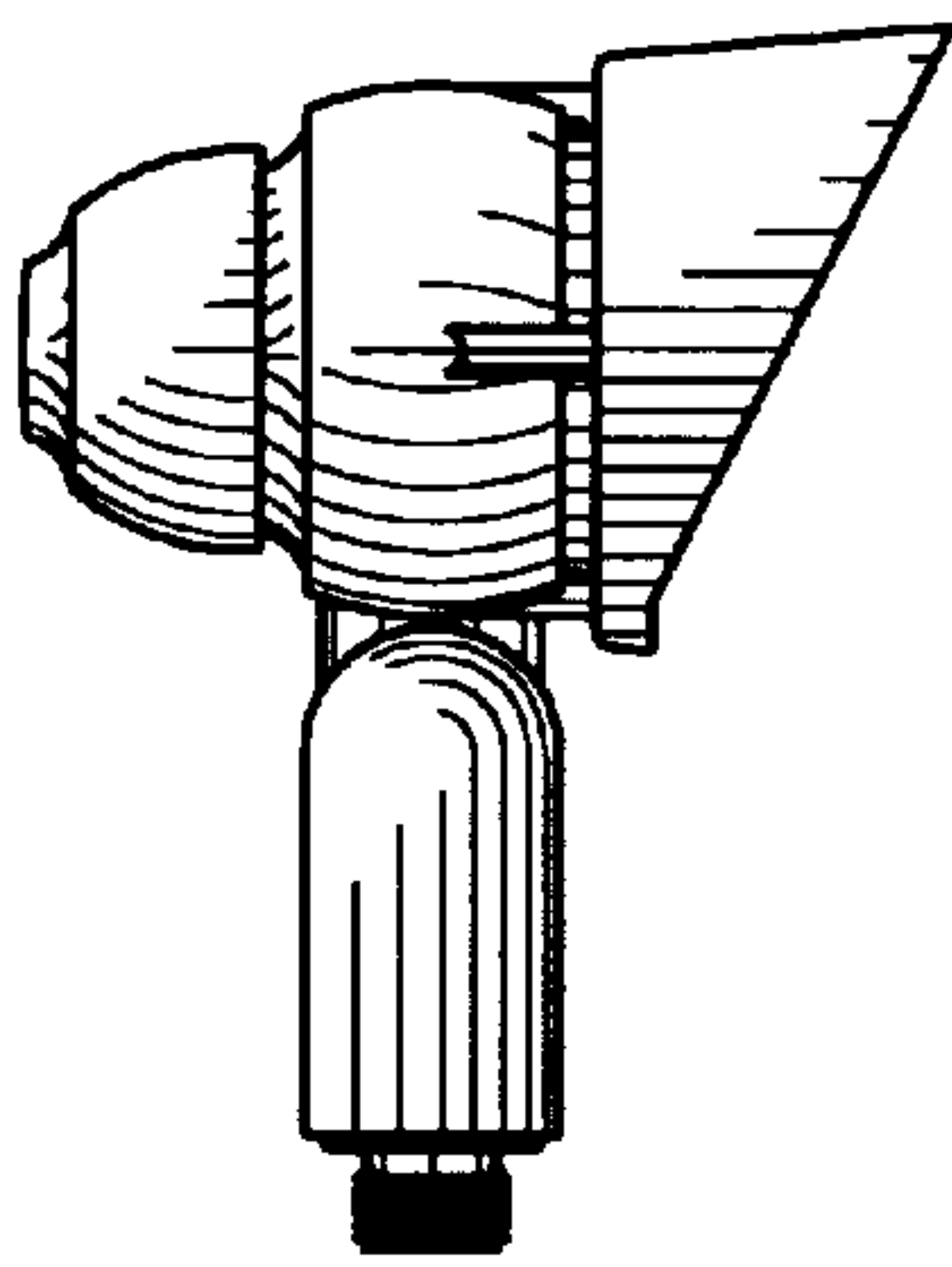


FIG. 2

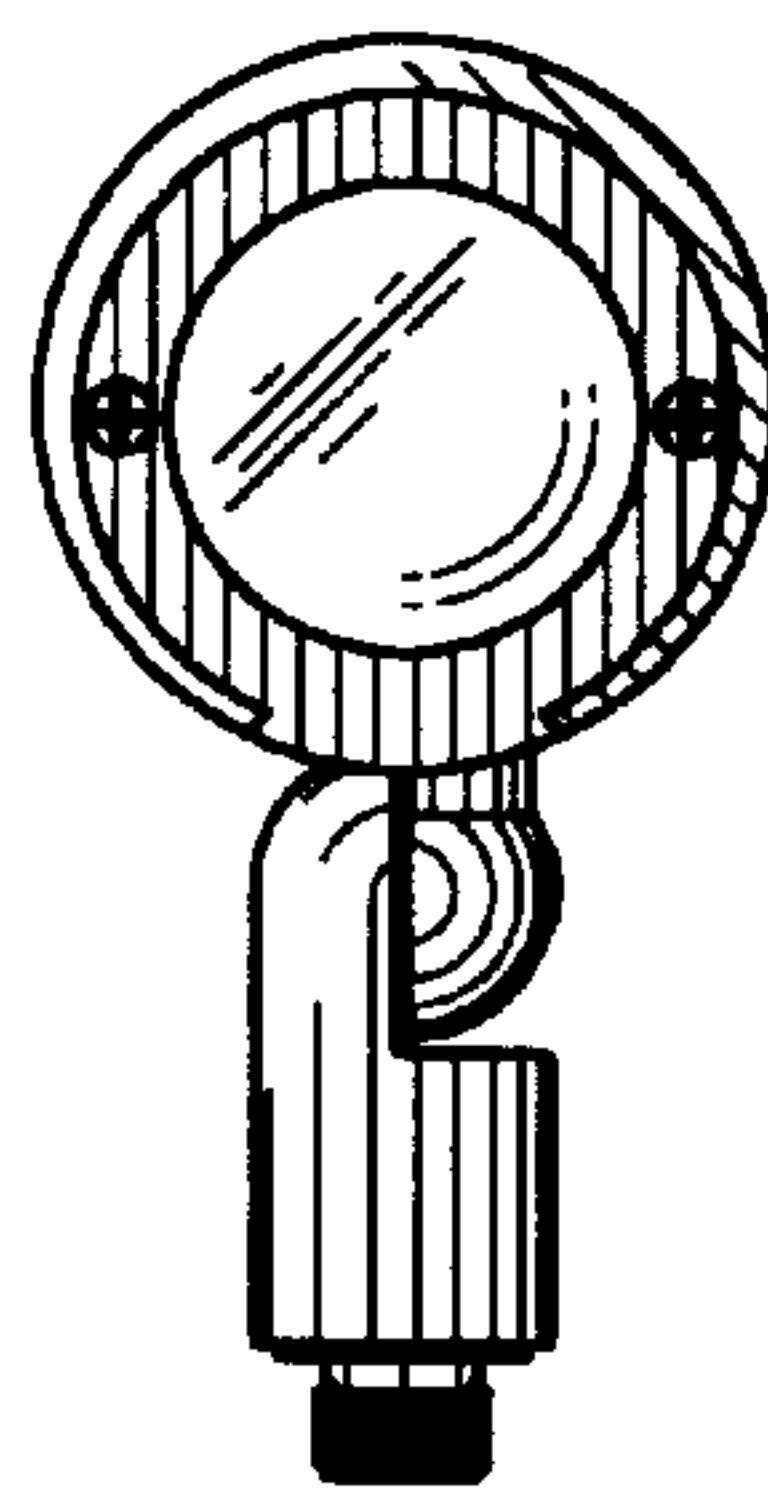


FIG. 3

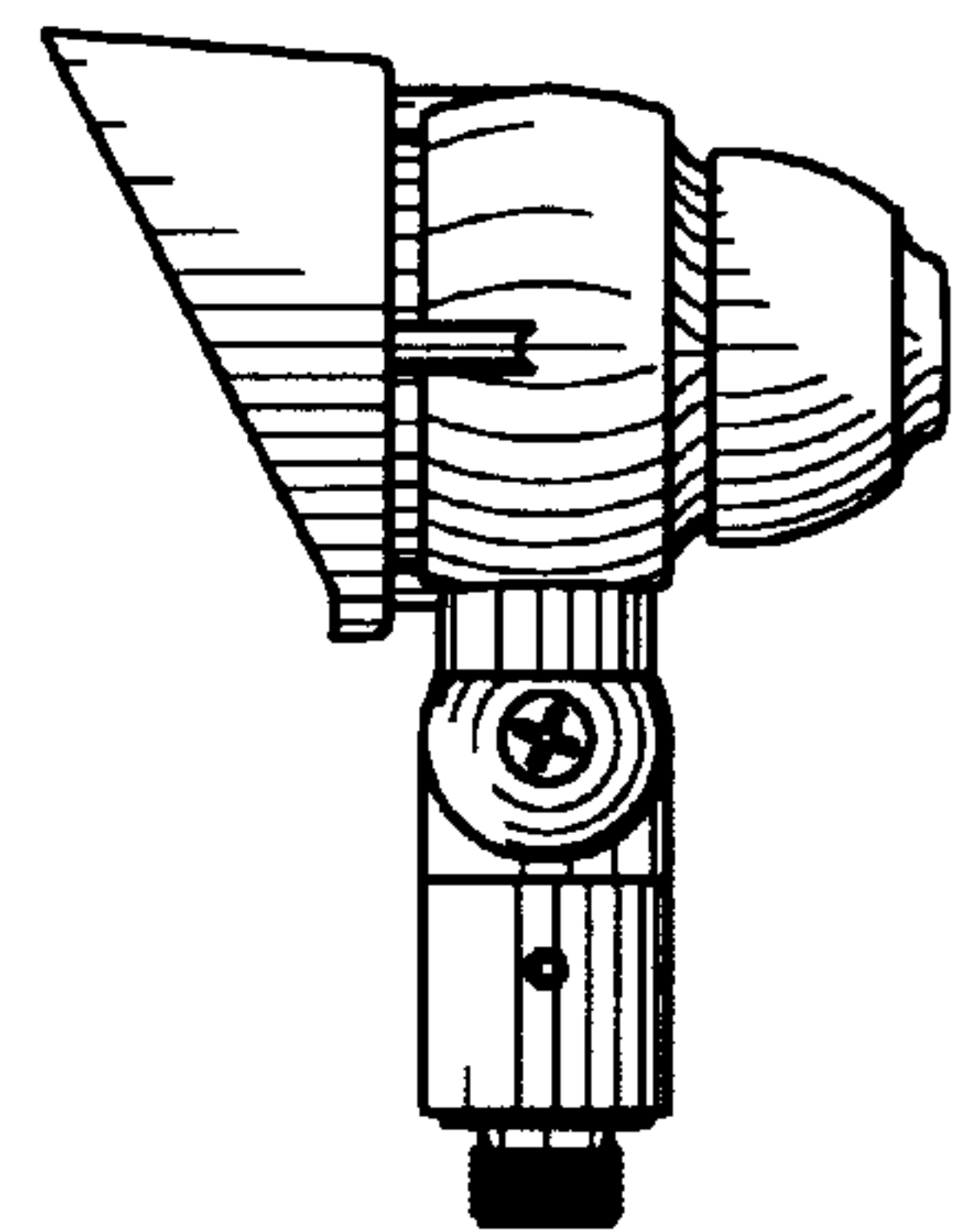


FIG. 4

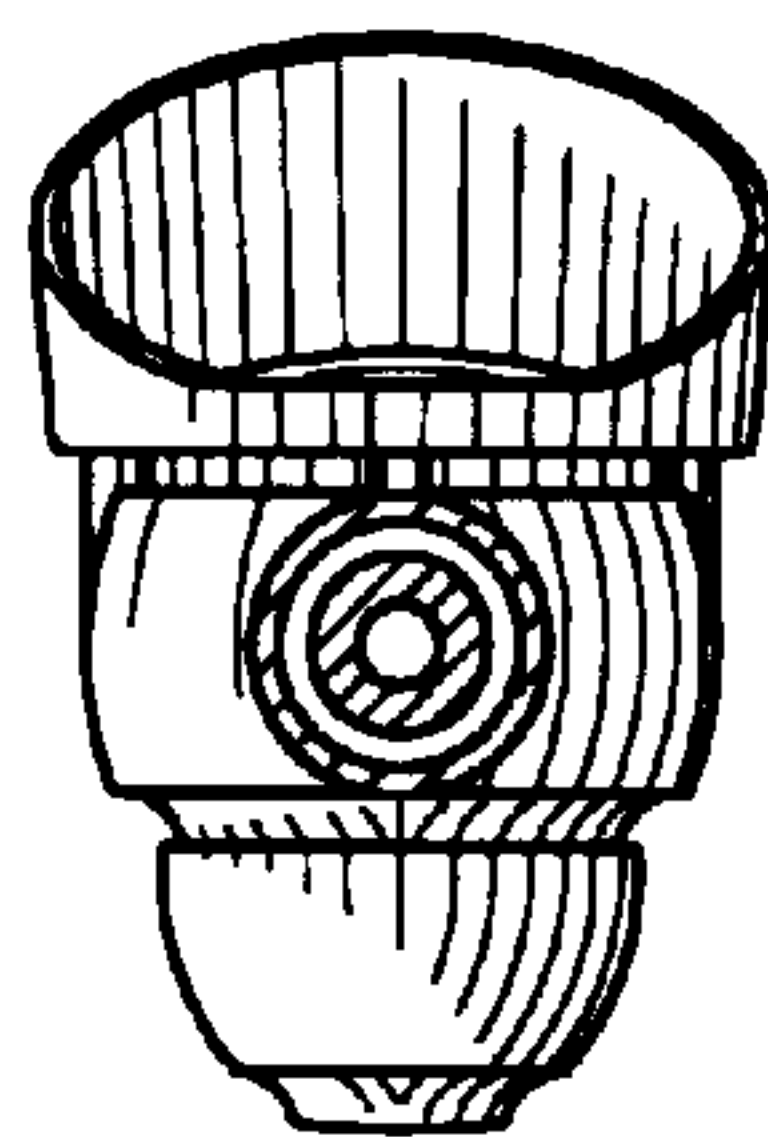


FIG. 5

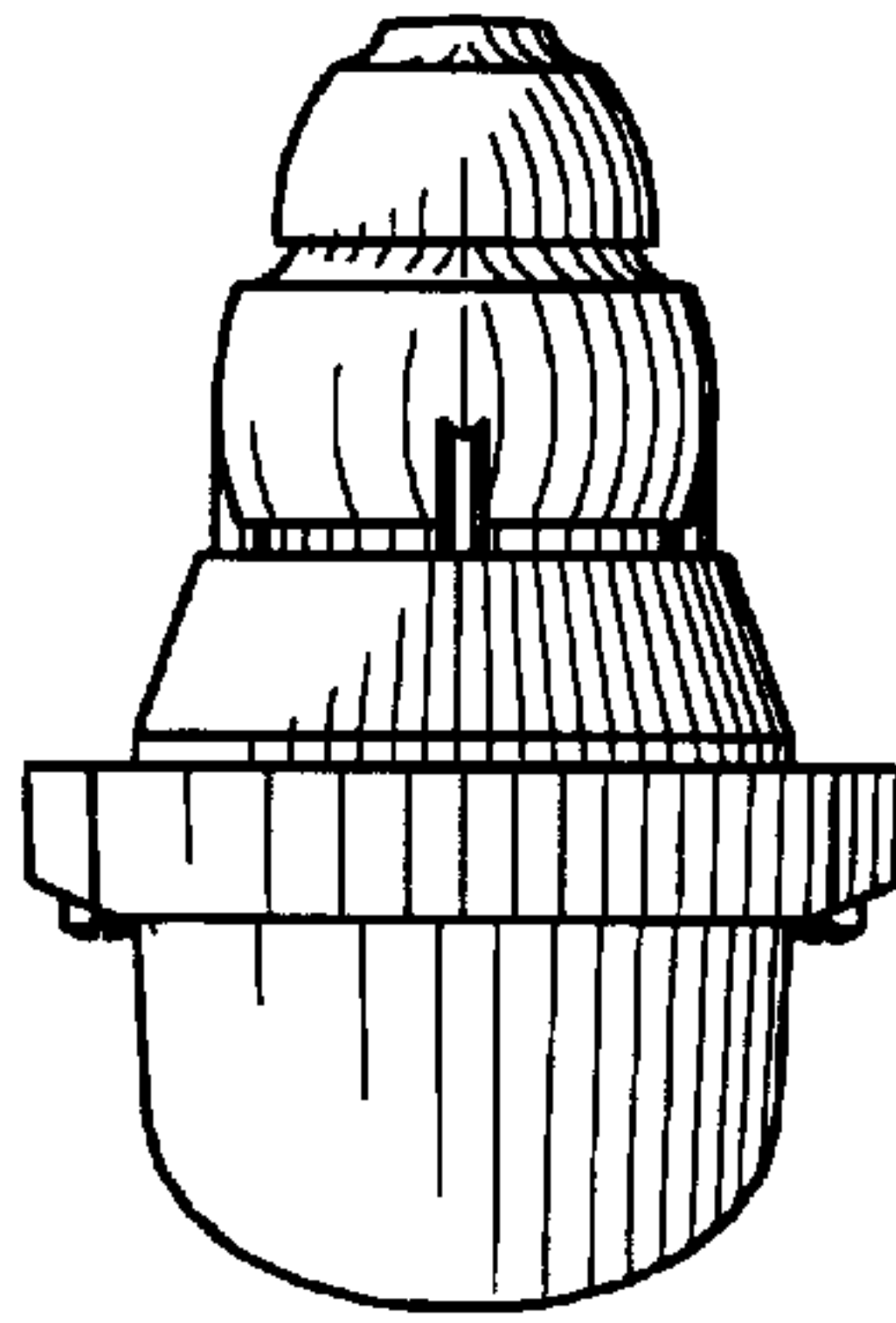


FIG. 6

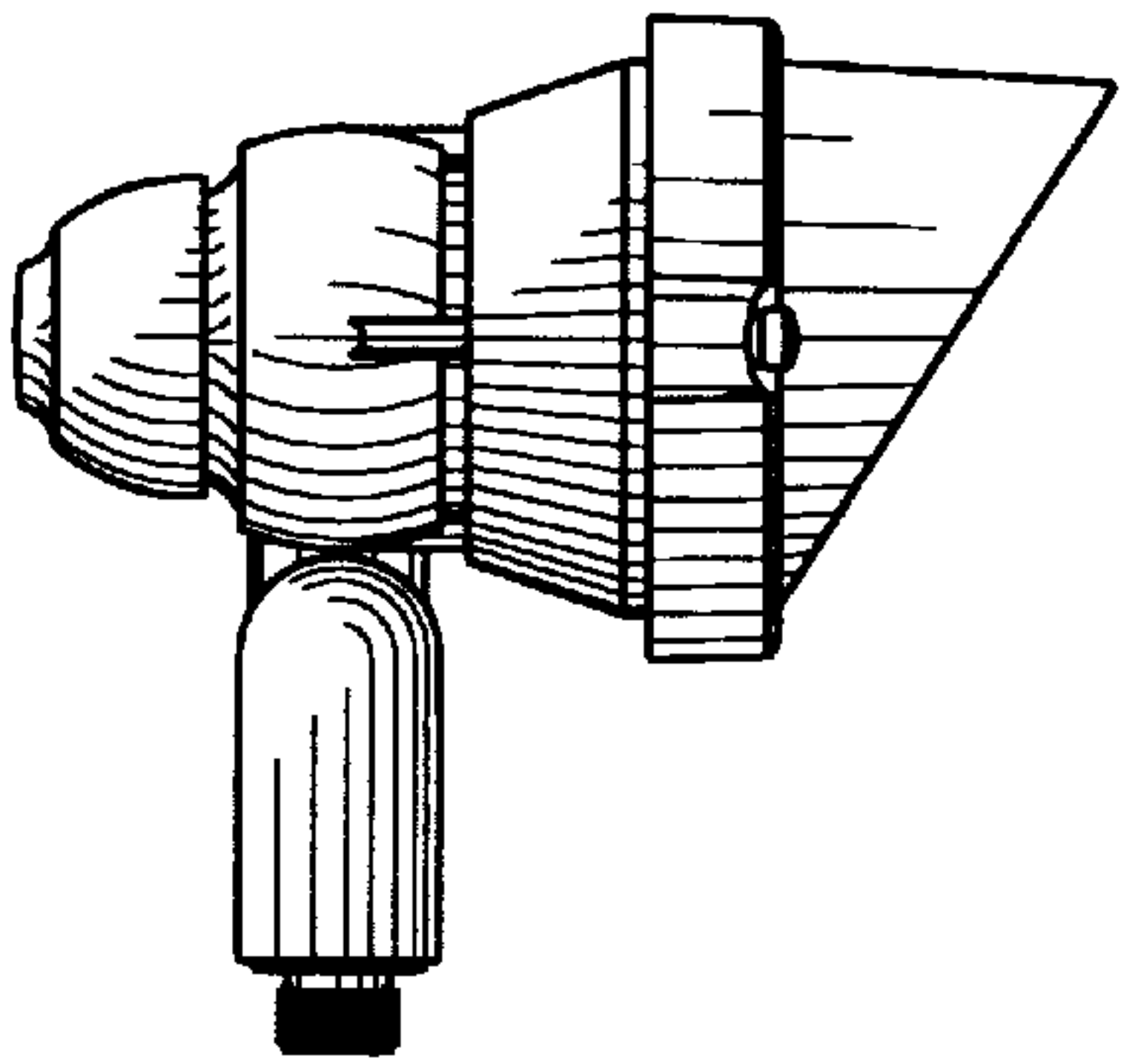


FIG. 7

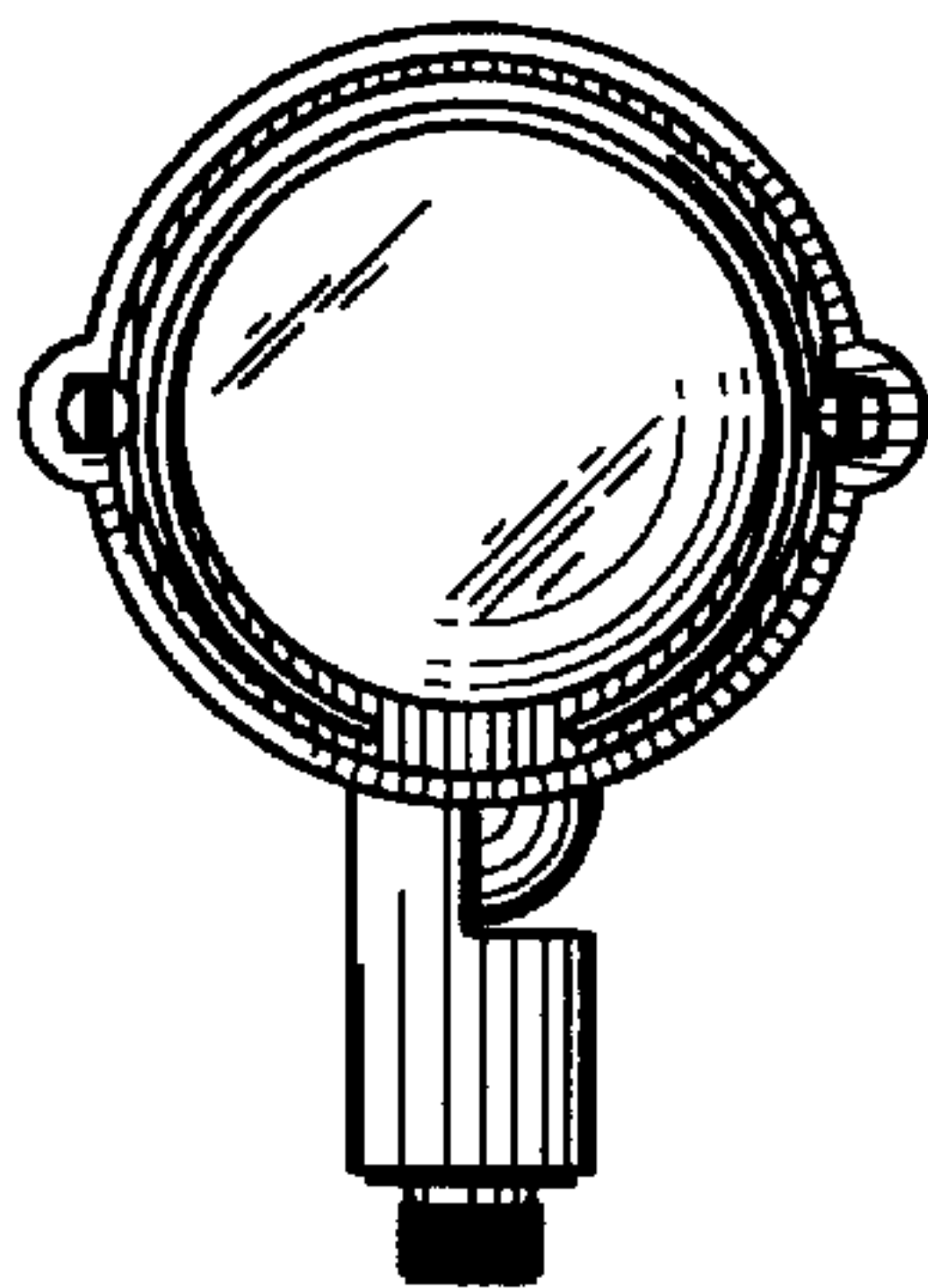


FIG. 8

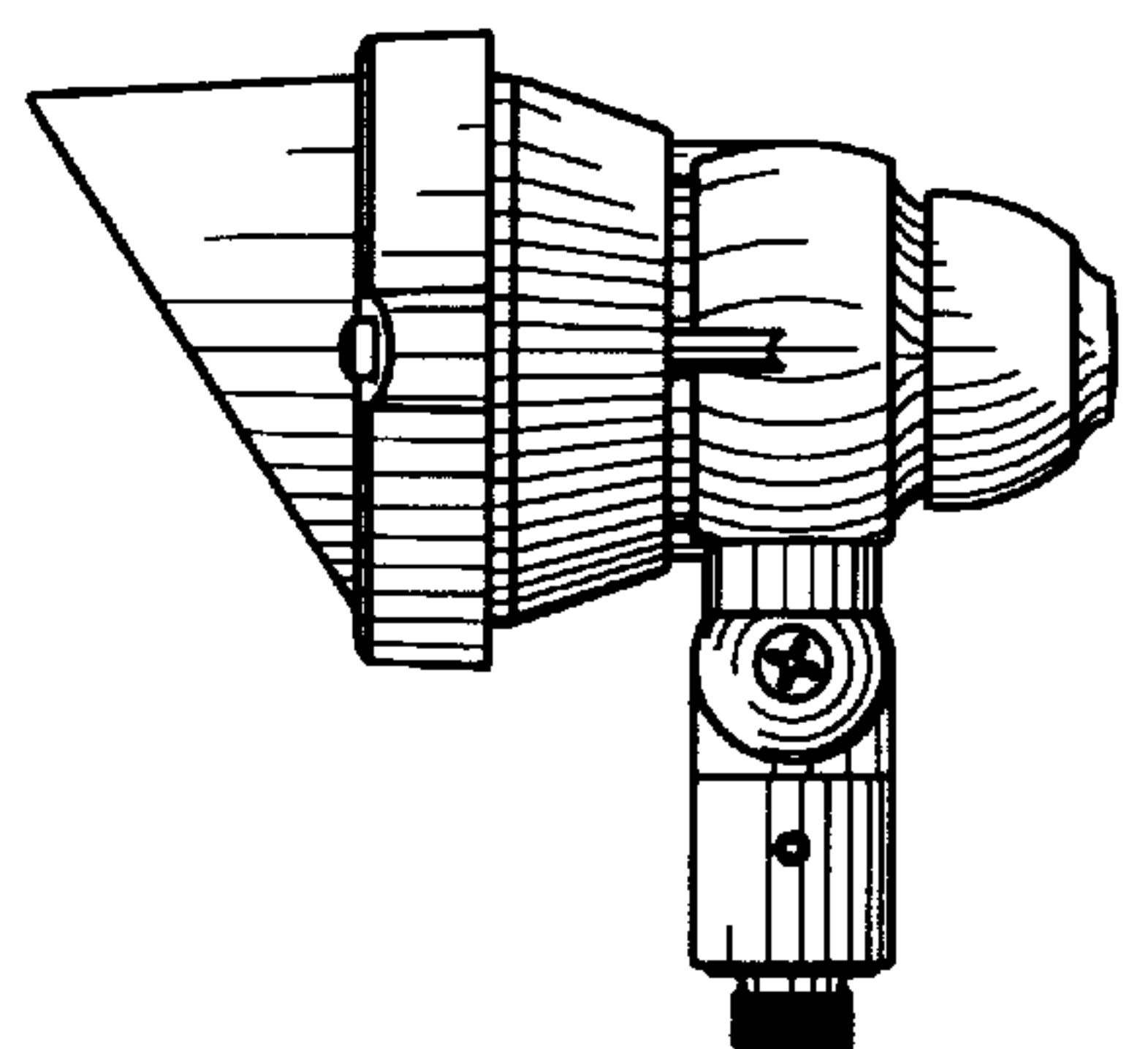


FIG. 9

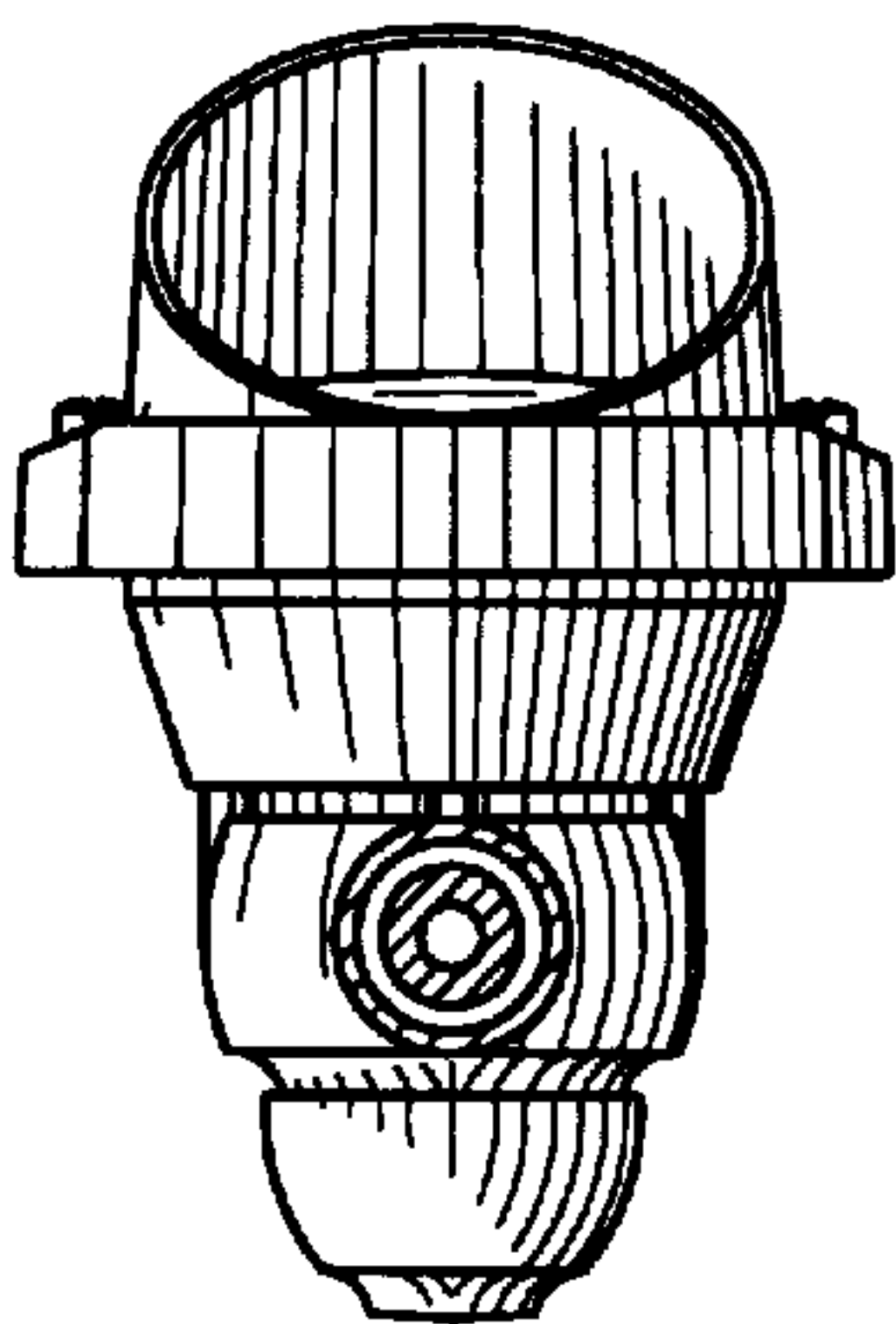


FIG. 10

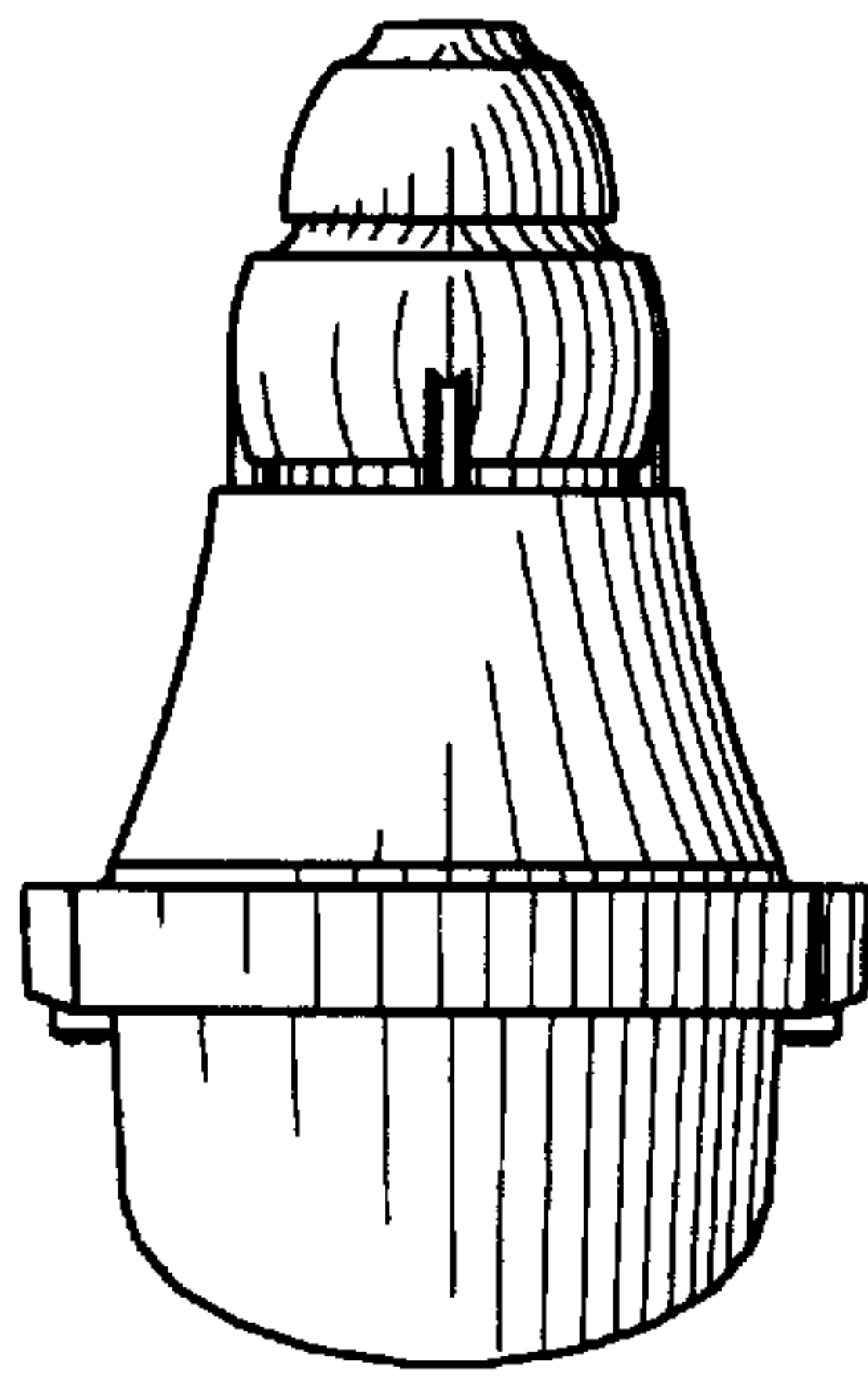


FIG. 11

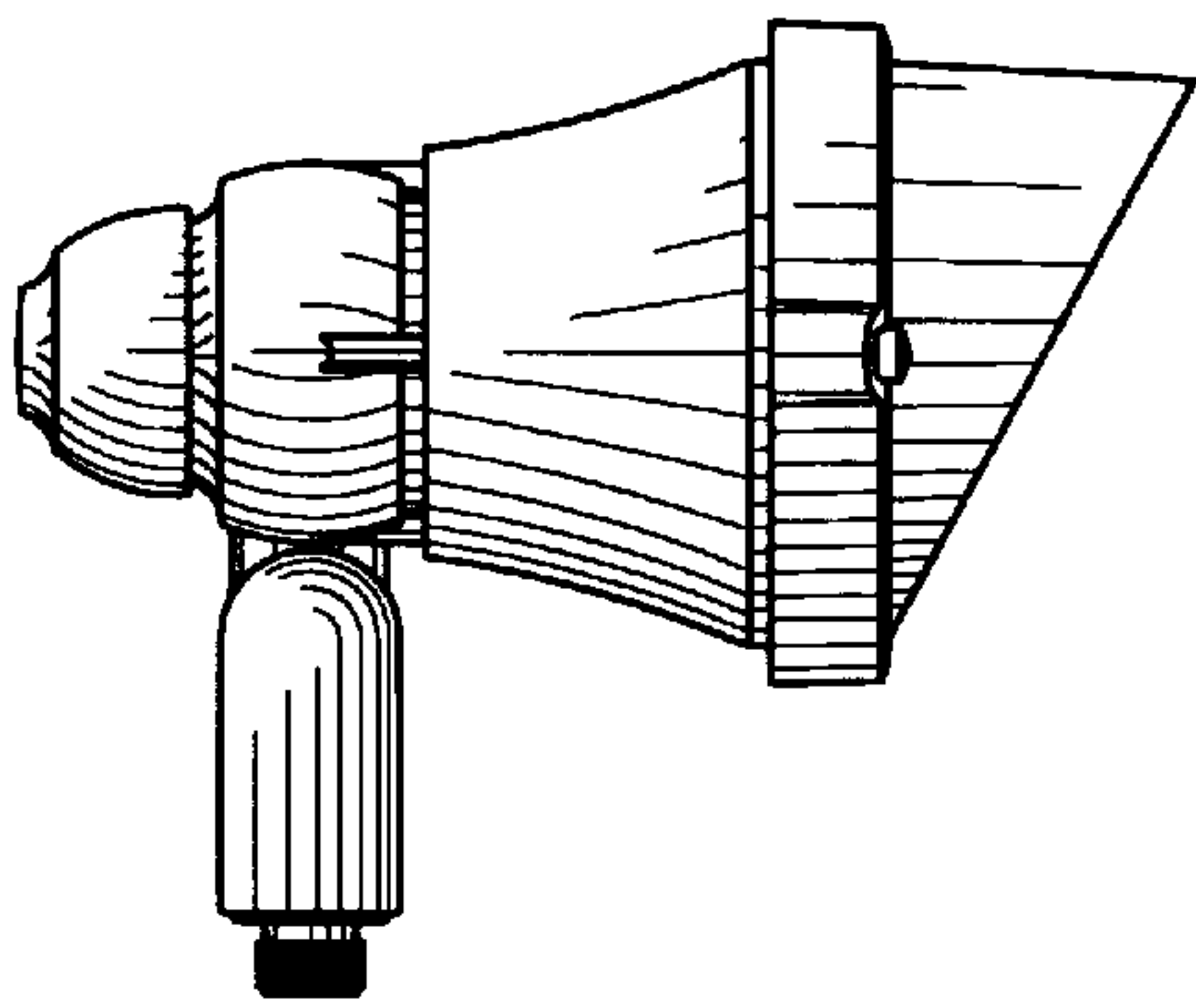


FIG. 12

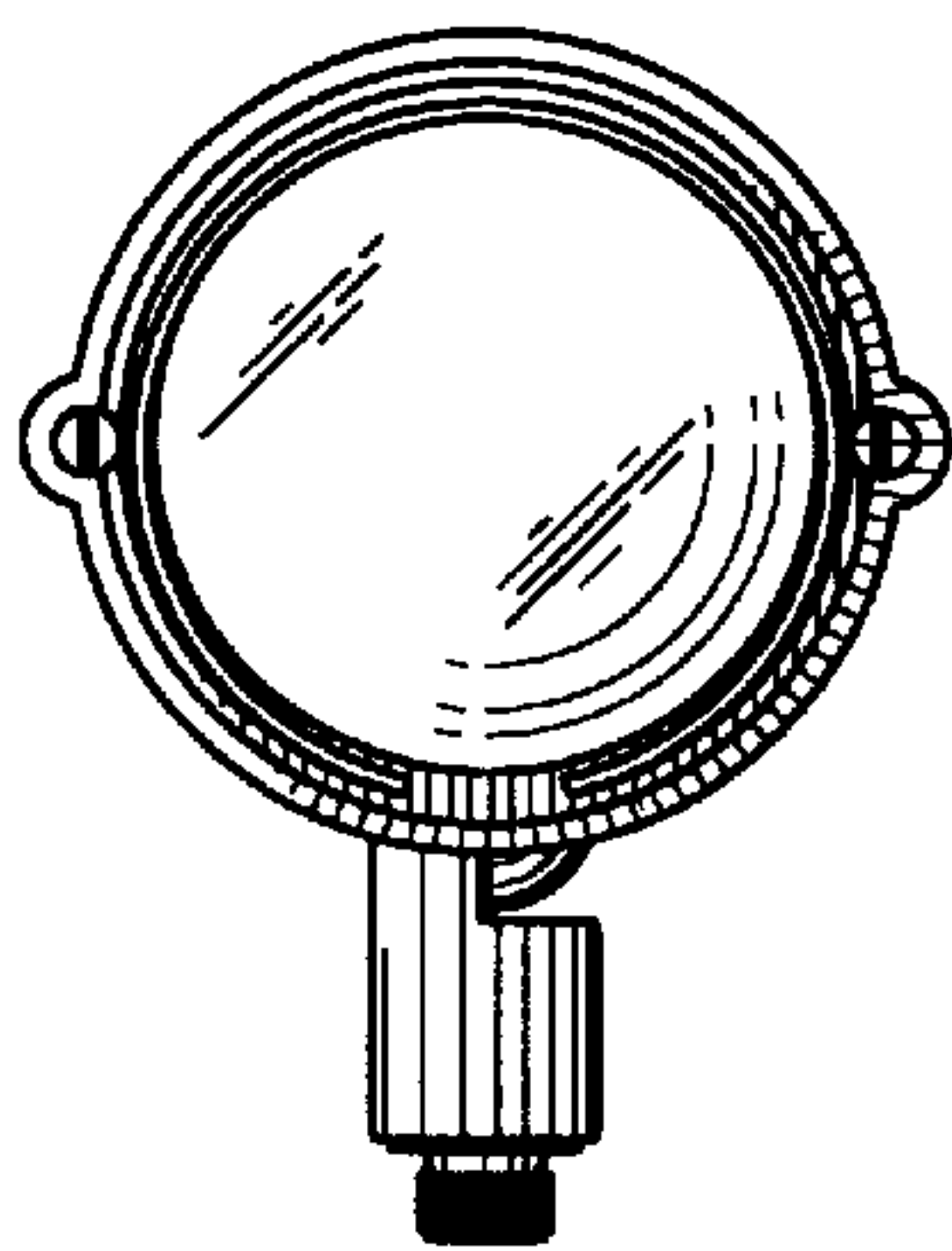


FIG. 13

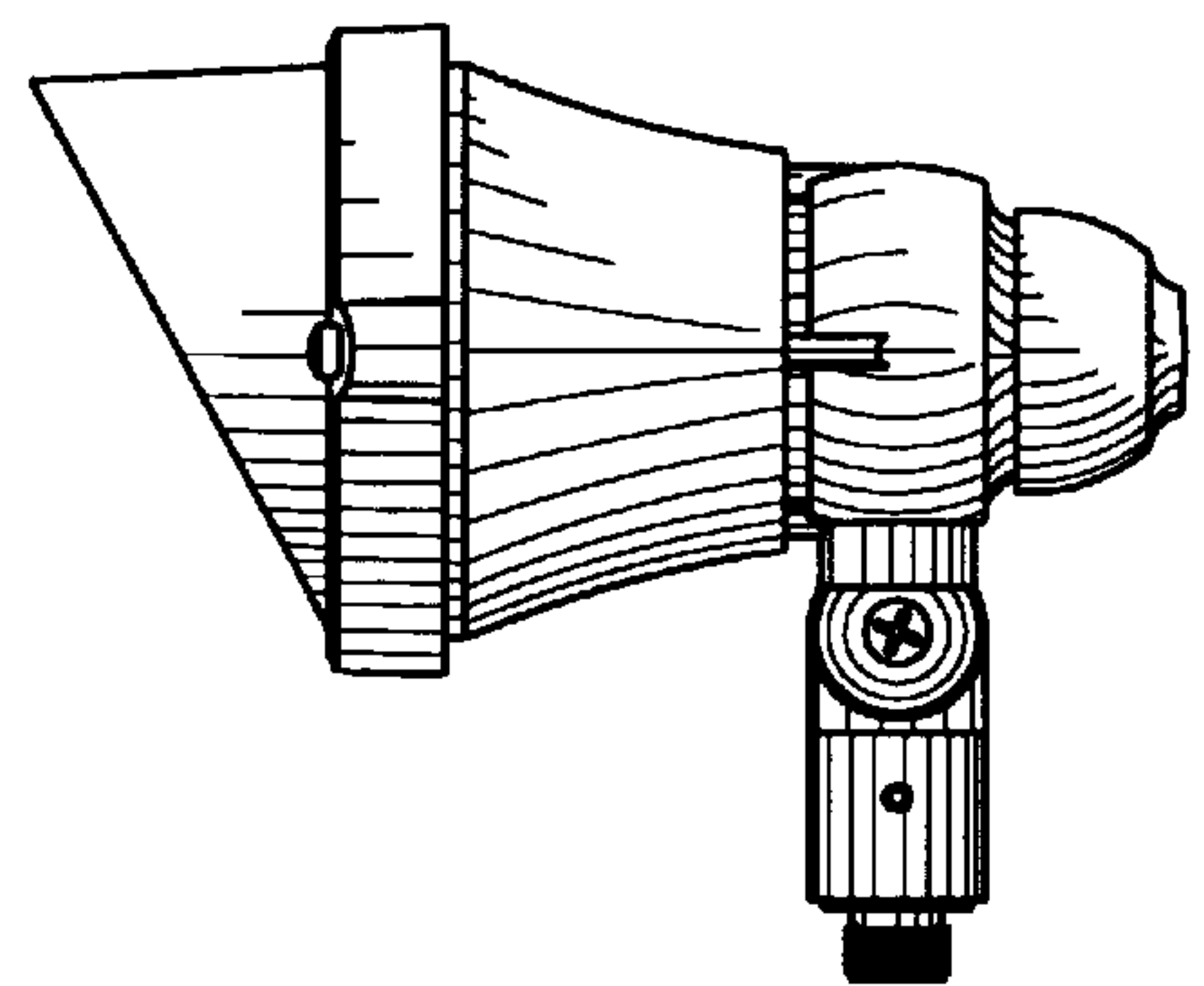


FIG. 14

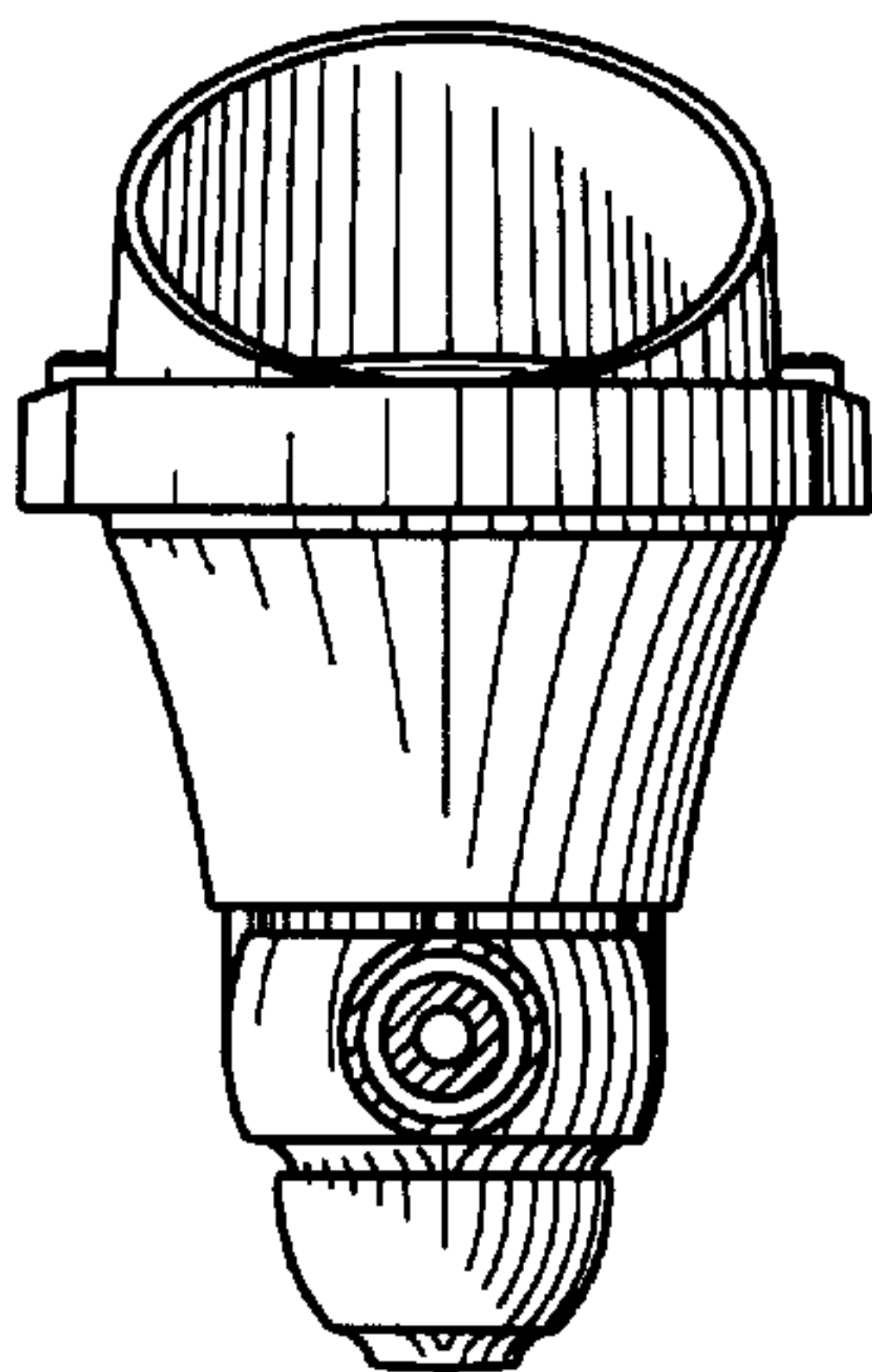


FIG. 15

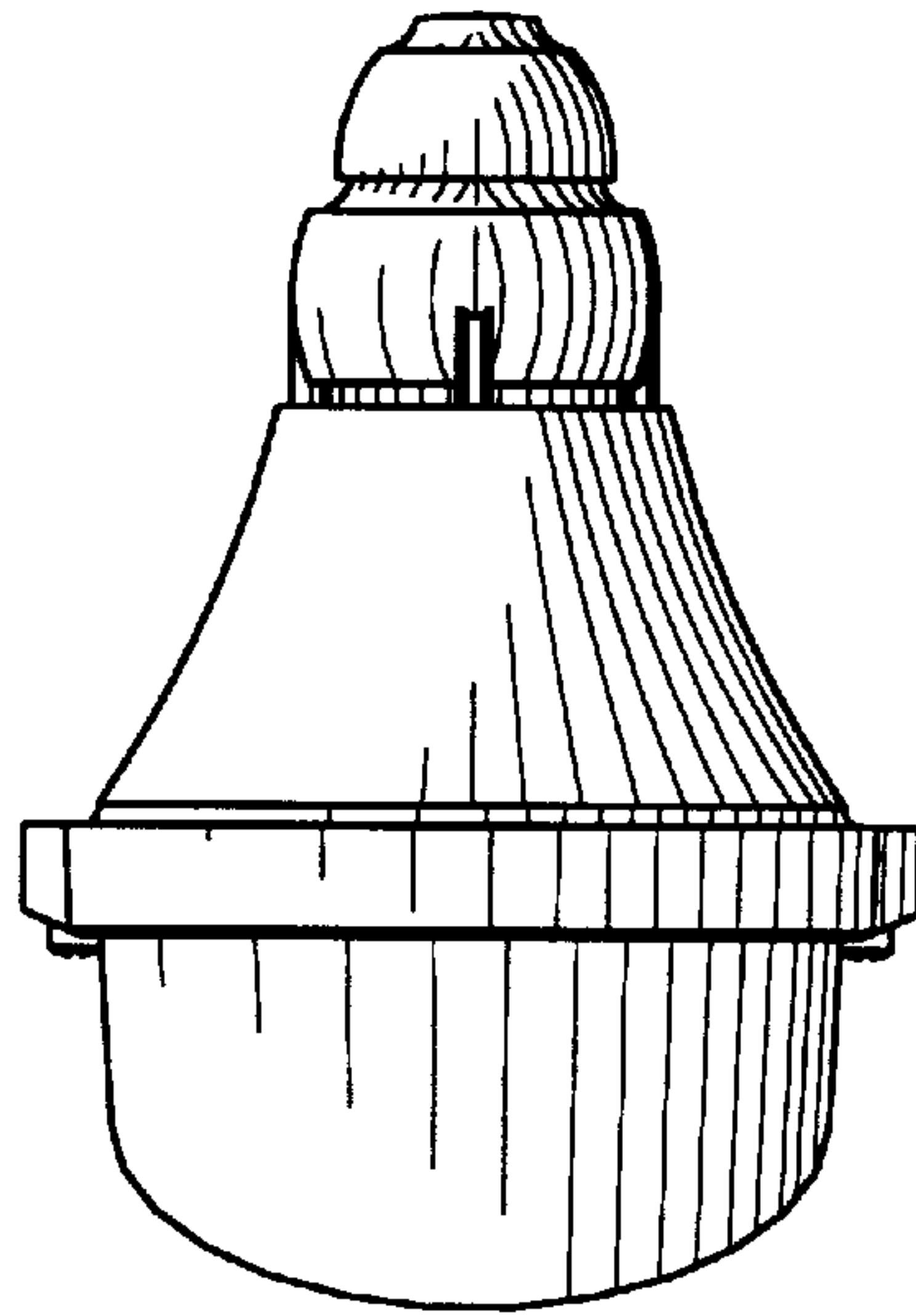


FIG. 16

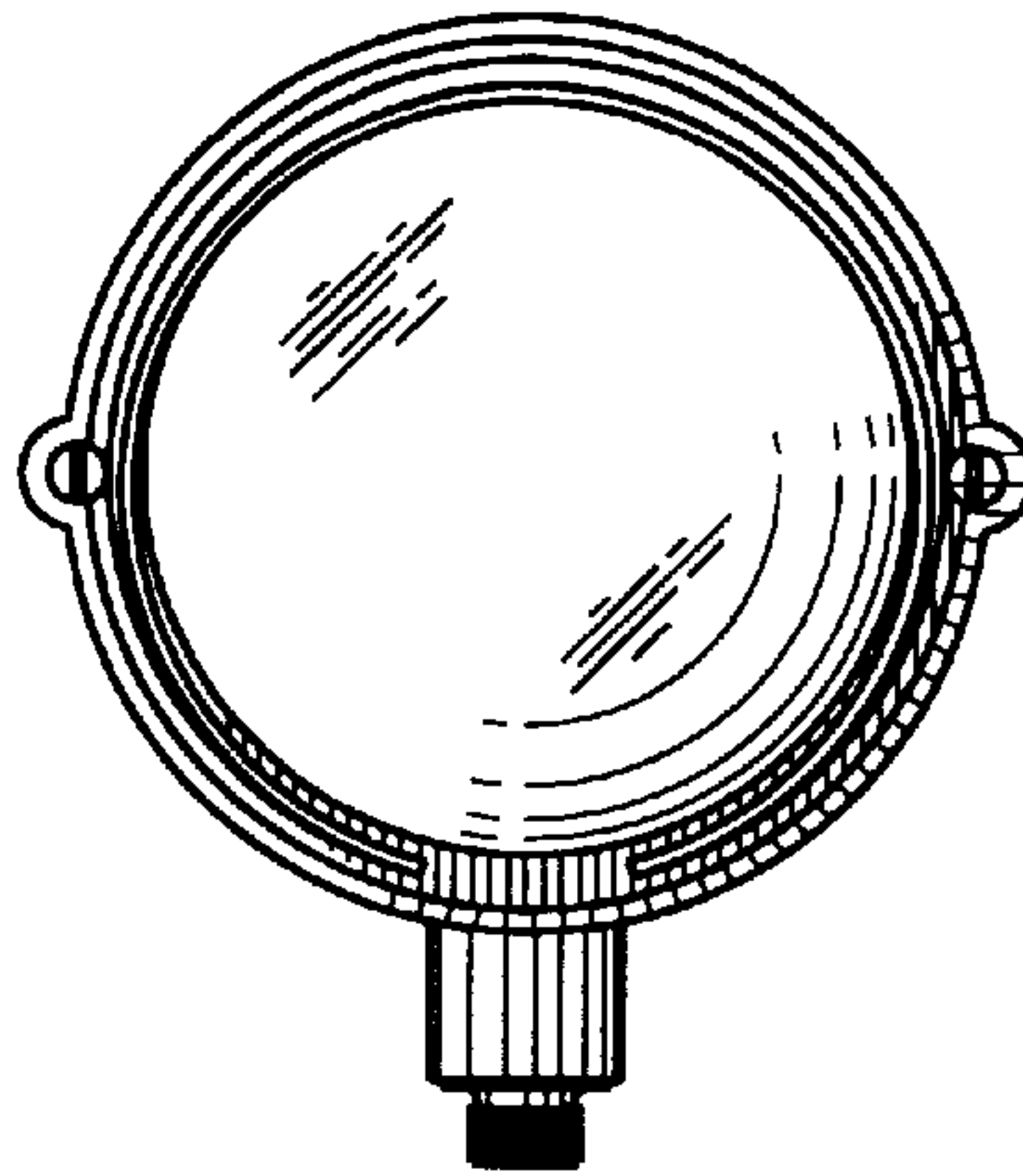


FIG. 17

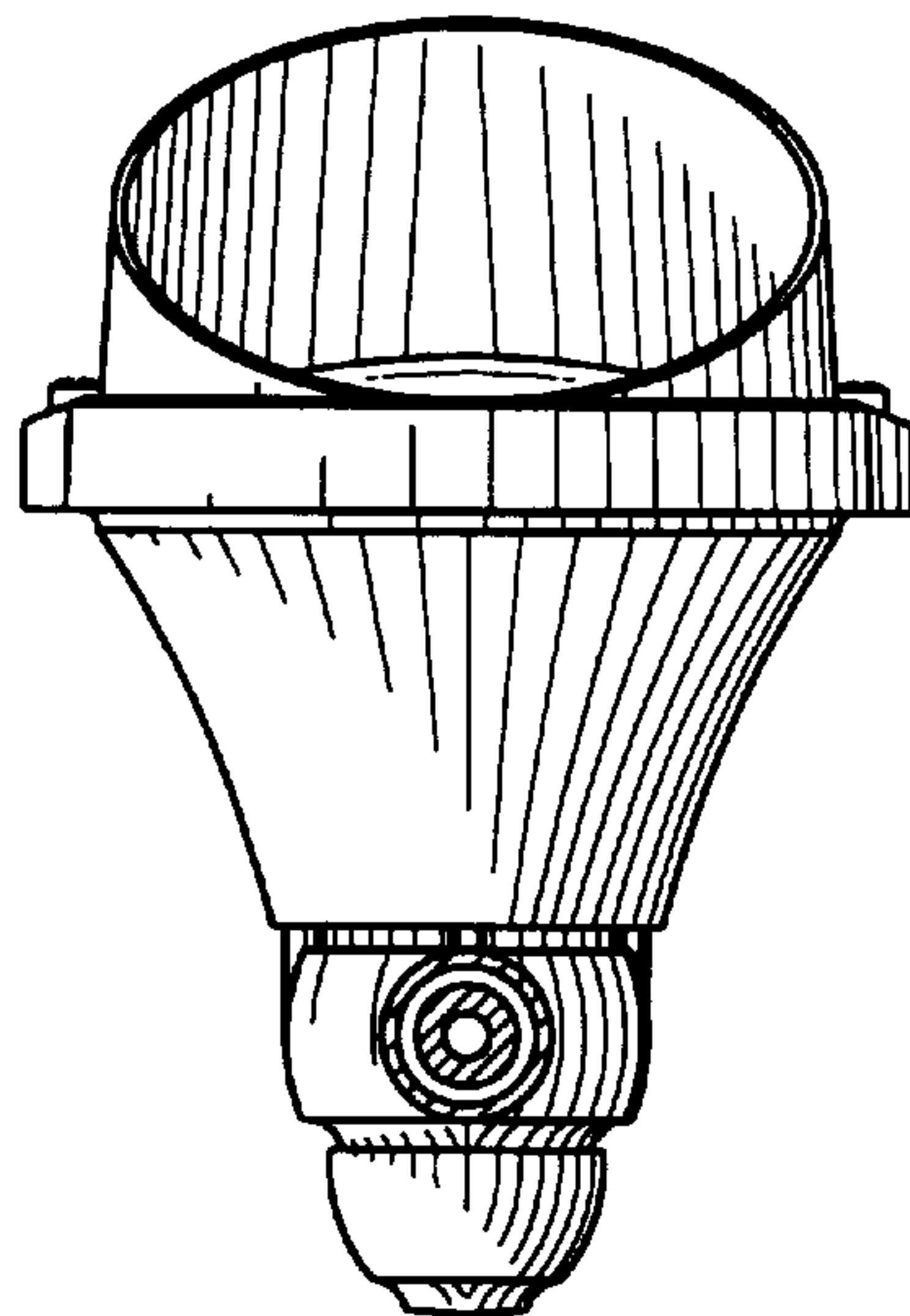


FIG. 18

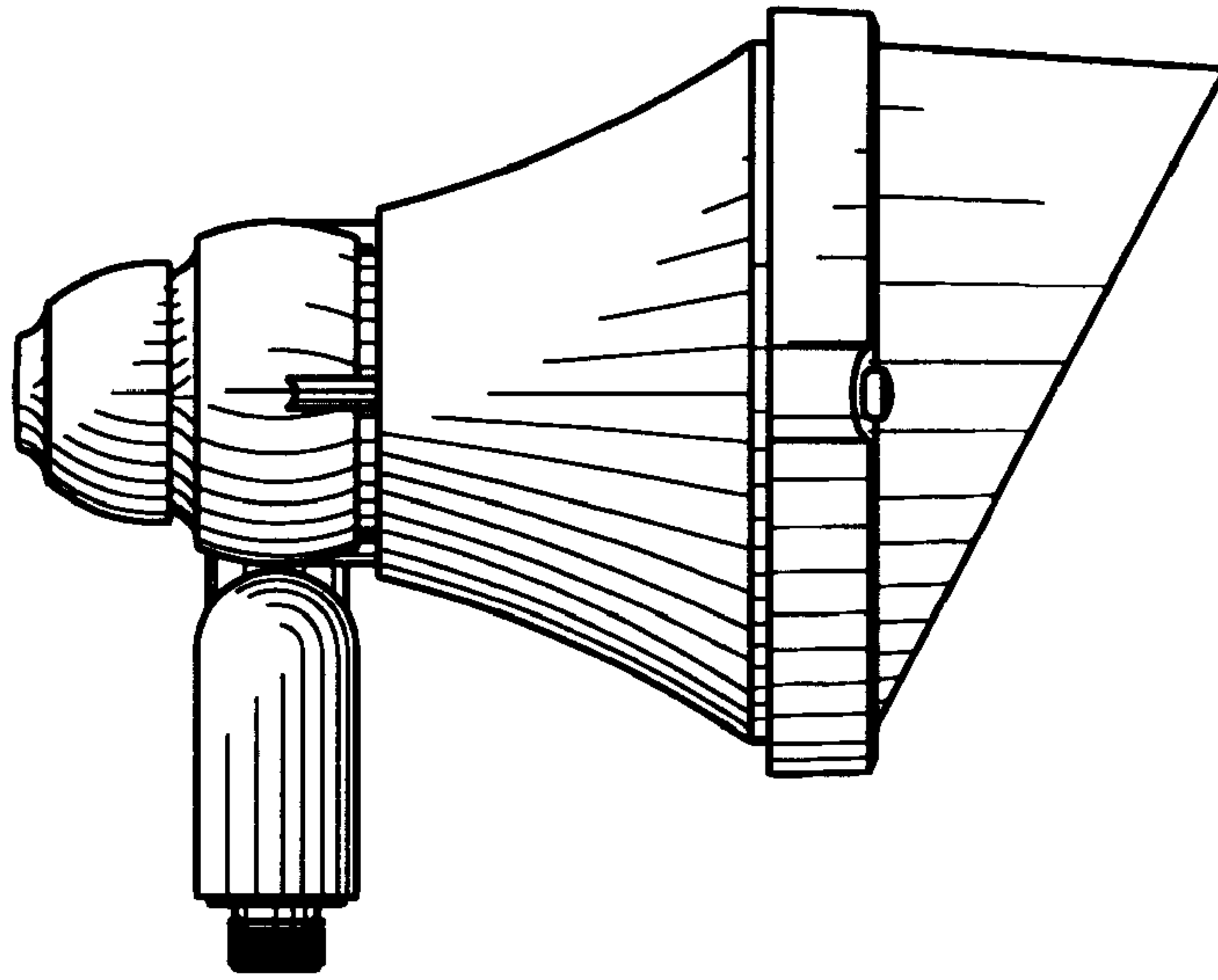


FIG. 19

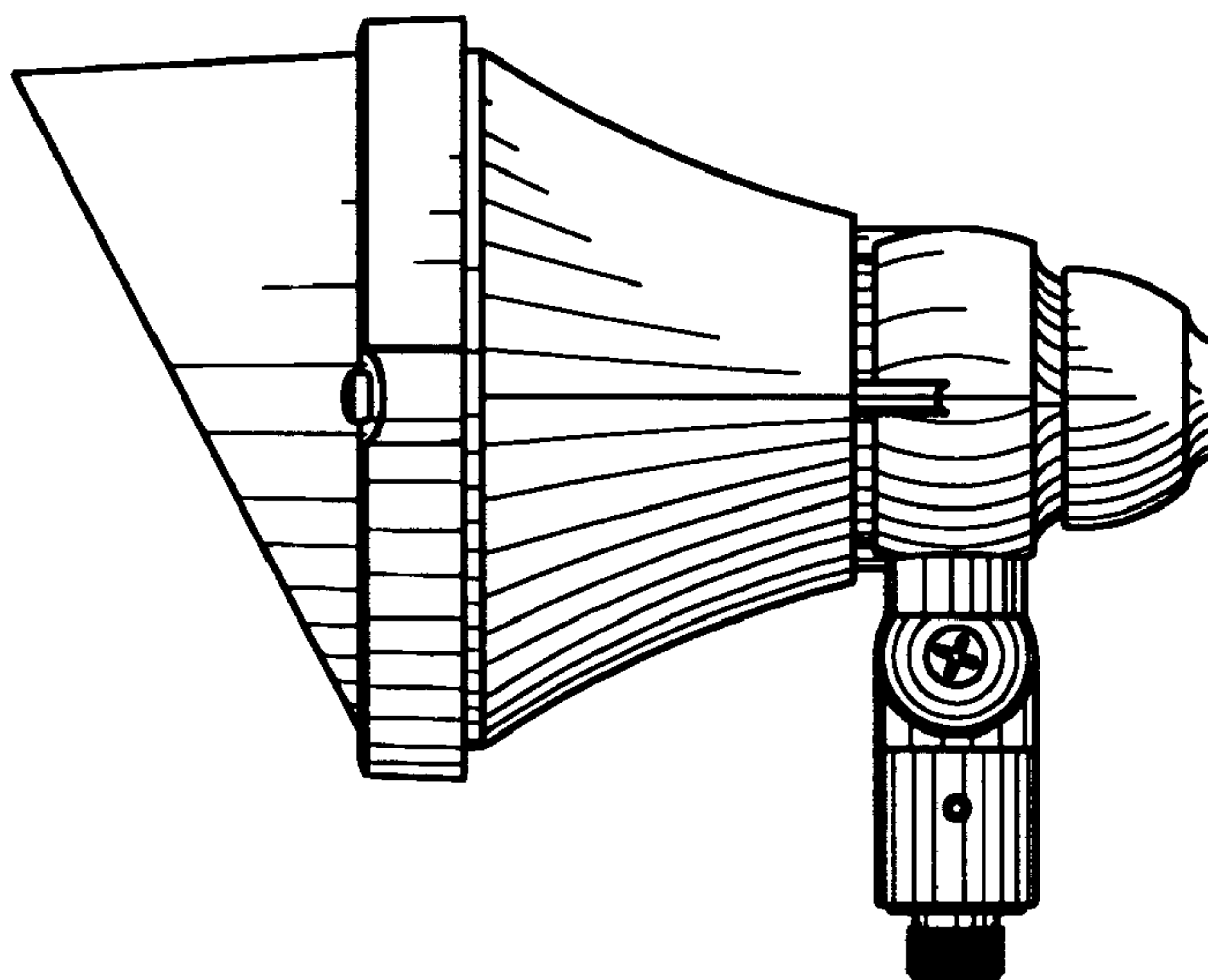


FIG. 20