



US00D424730S

United States Patent [19] Ewing

[11] **Patent Number: Des. 424,730**

[45] **Date of Patent: ** May 9, 2000**

[54] **POLE TOP LUMINAIRE**

[75] Inventor: **Robert L. Ewing**, Newark, Ohio

[73] Assignee: **Holophane Corporation**, Newark, Ohio

[**] Term: **14 Years**

[21] Appl. No.: **29/106,718**

[22] Filed: **Jun. 18, 1999**

[51] **LOC (7) Cl.** **26-05**

[52] **U.S. Cl.** **D26/67**

[58] **Field of Search** D26/67-71; 362/153,
362/153.1, 431

[56] **References Cited**

U.S. PATENT DOCUMENTS

- D. 284,223 6/1986 Harvey D26/67
- D. 300,670 4/1989 Ewing et al. D26/67

Primary Examiner—Lisa Lichtenstein
Attorney, Agent, or Firm—Brooks & Kushman P.C.

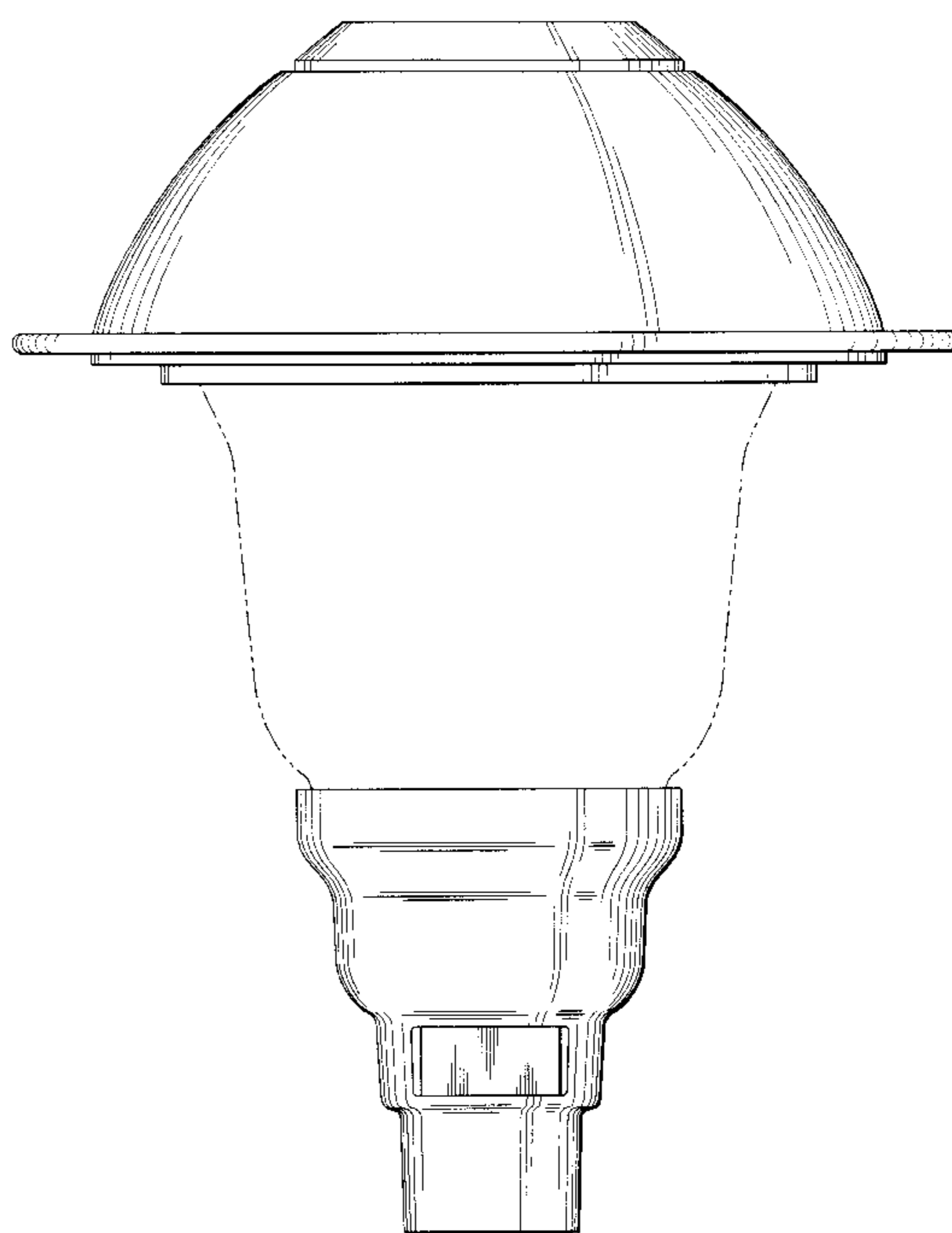
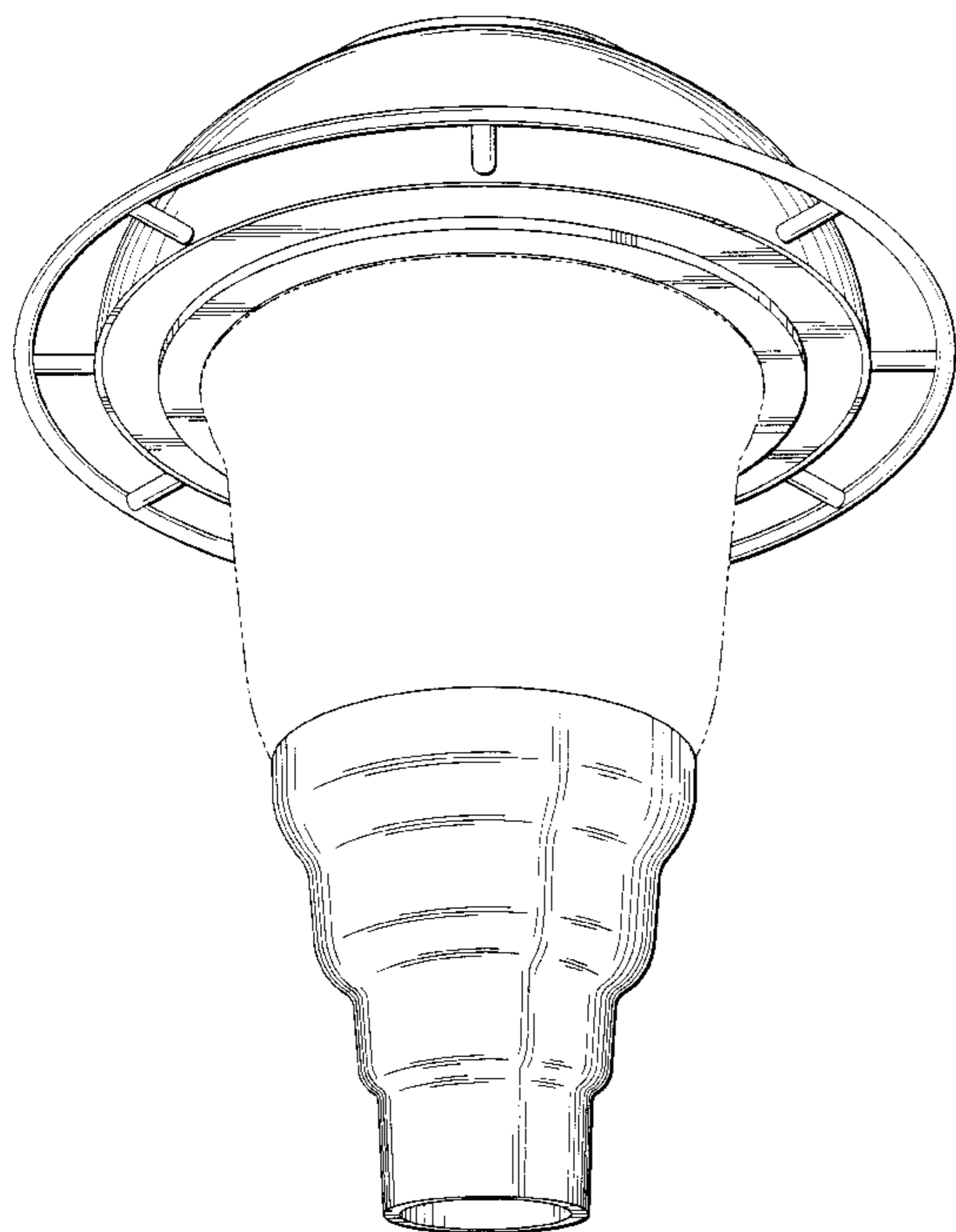
[57] **CLAIM**

The ornamental design for a pole top luminaire, as shown and described.

DESCRIPTION

FIG. 1 is a perspective view of a housing for a pole top luminaire showing my new design;
 FIG. 2 is a front elevational view thereof;
 FIG. 3 is a left side elevational view thereof, the right side elevational view being a mirror image thereof;
 FIG. 4 is a top plan view thereof; and,
 FIG. 5 is a bottom plan view thereof.
 The broken line showing of environmental structure in FIGS. 1-3 and 5 is for illustrative purpose only and forms no part of the claimed design.

1 Claim, 4 Drawing Sheets



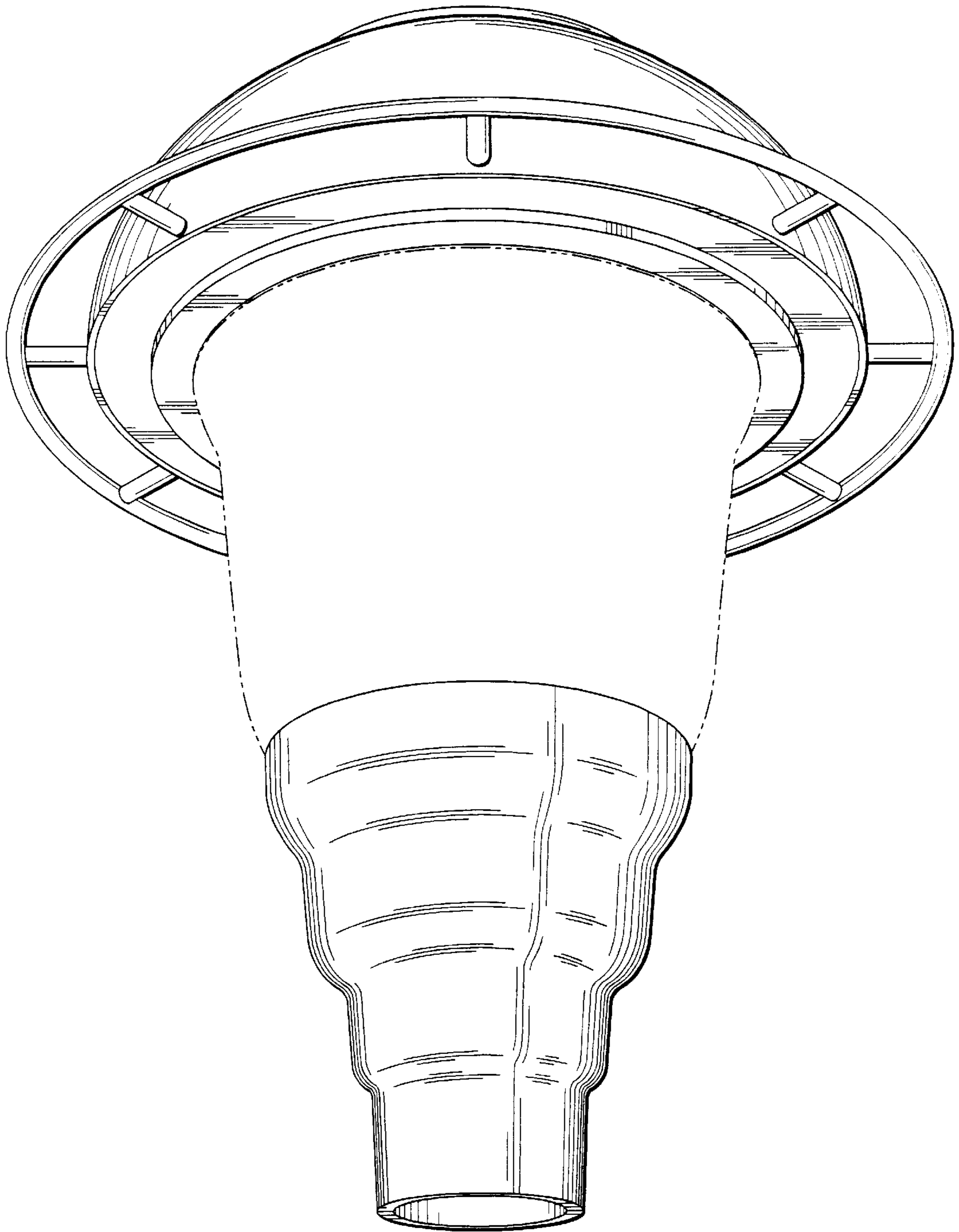


Fig. 1

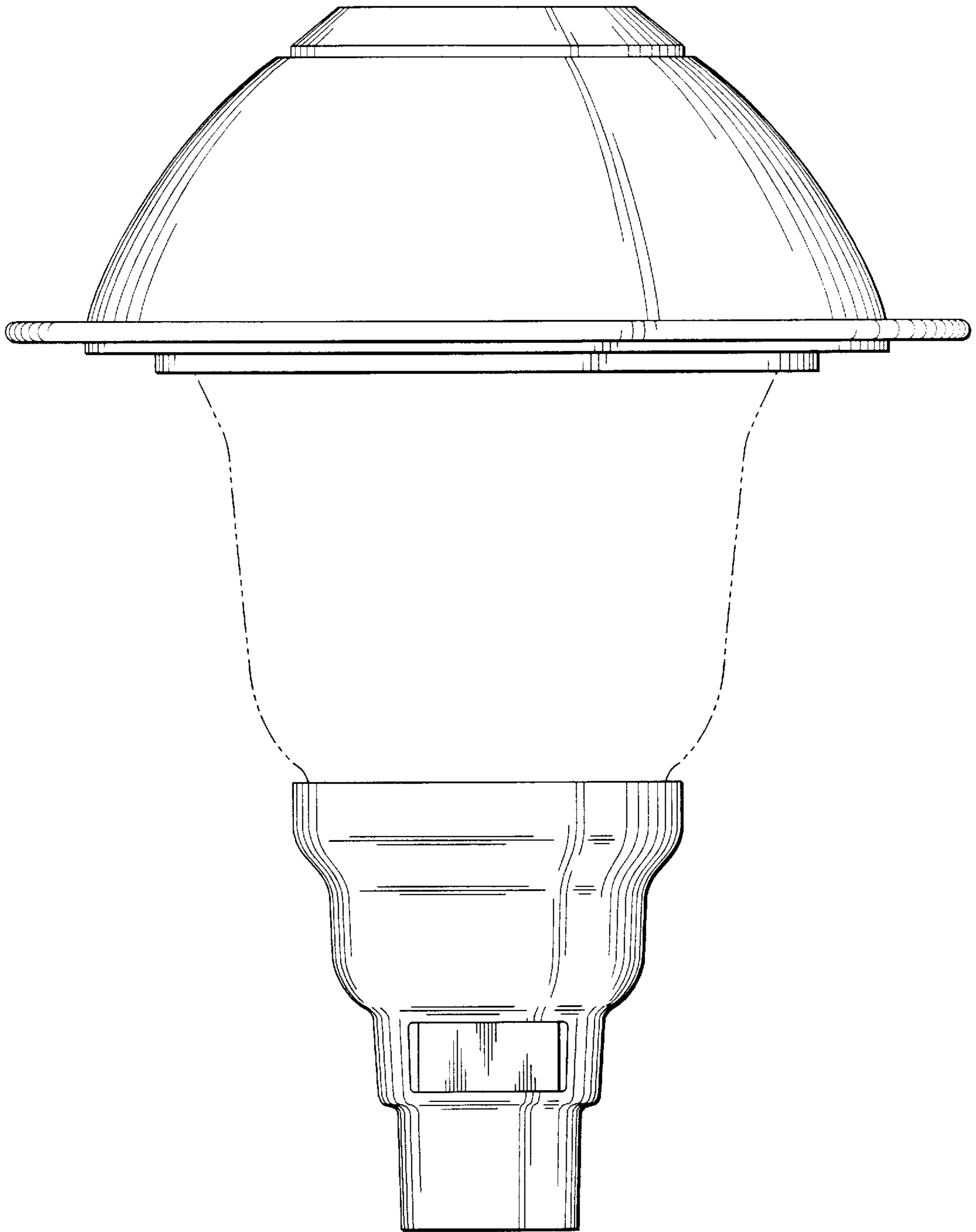


Fig. 2

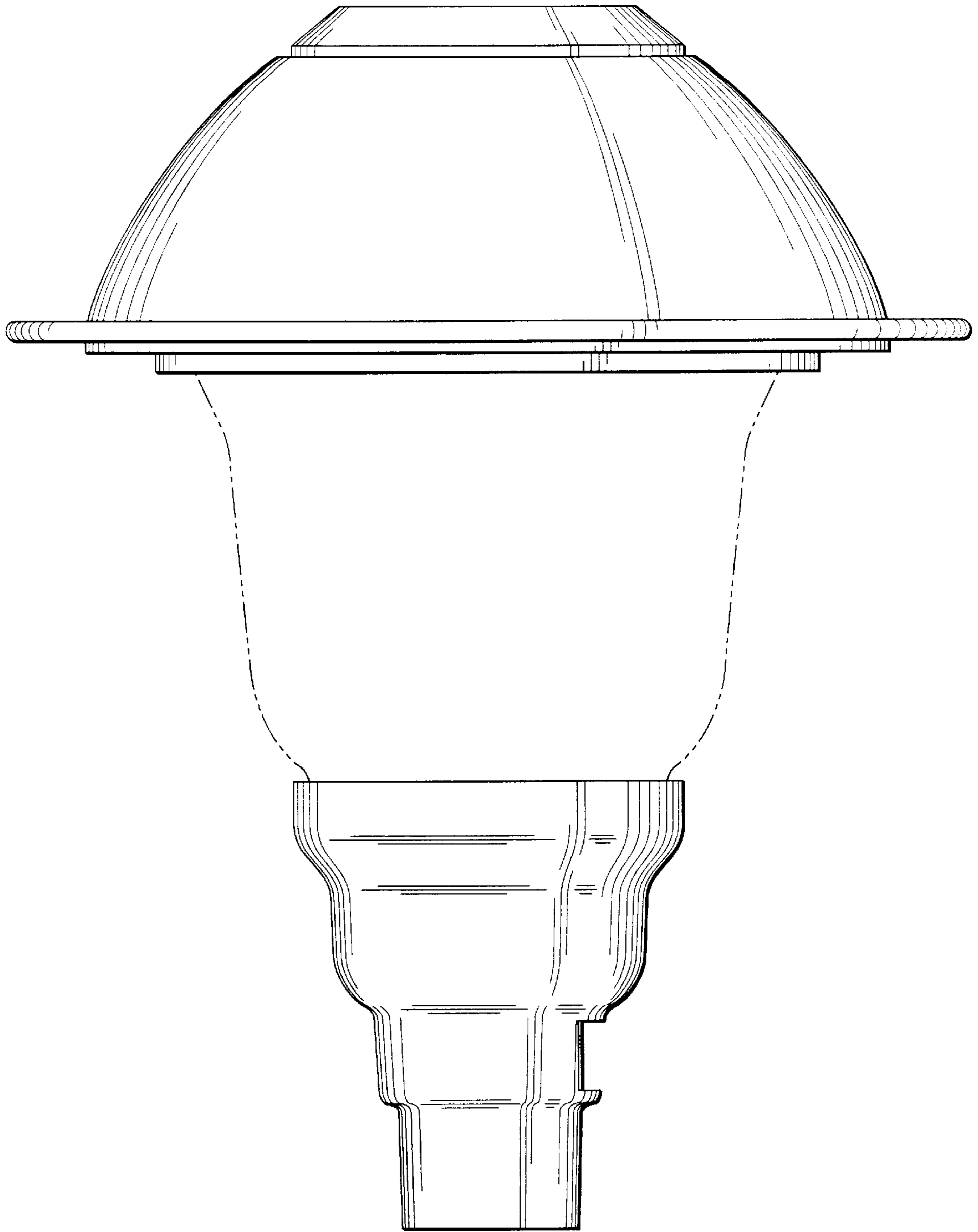


Fig. 3

Fig. 4

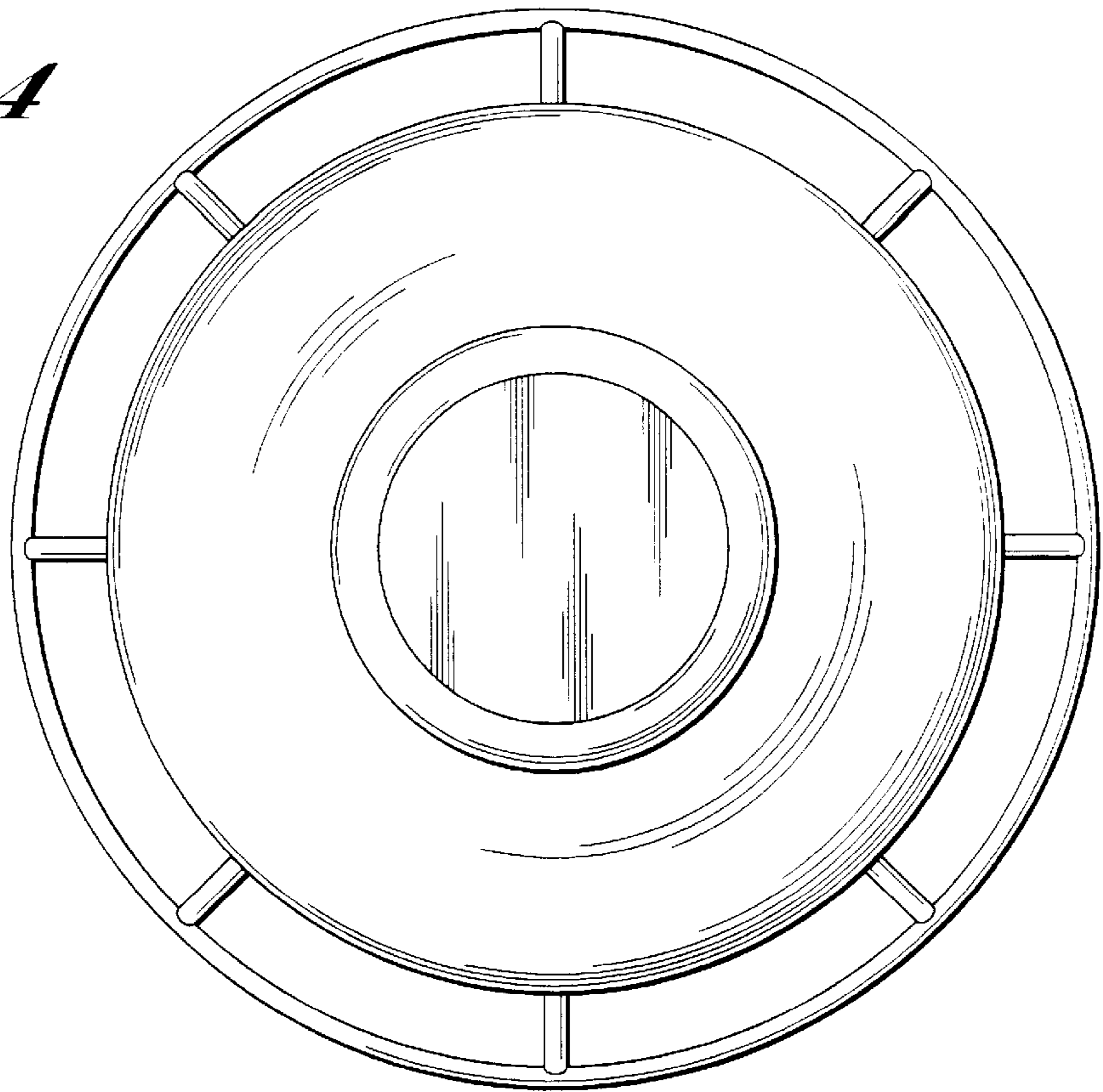


Fig. 5

