



US00D424729S

**United States Patent** [19]  
**Sonnenfeldt**

[11] **Patent Number: Des. 424,729**

[45] **Date of Patent: \*\* May 9, 2000**

[54] **SOLAR POWERED LIGHTING UNIT**

[75] Inventor: **Richard W. Sonnenfeldt**, Port Washington, N.Y.

[73] Assignee: **Solar Outdoor Lighting, Inc.**, Stuart, Fla.

[\*\*] Term: **14 Years**

[21] Appl. No.: **29/101,667**

[22] Filed: **Mar. 9, 1999**

[51] **LOC (7) Cl.** ..... **26-05**

[52] **U.S. Cl.** ..... **D26/67**

[58] **Field of Search** ..... D26/67-71; 362/153, 362/153.1, 431, 183

[56] **References Cited**

**U.S. PATENT DOCUMENTS**

5,645,340 7/1997 Colton ..... 362/193

**OTHER PUBLICATIONS**

Dabmar, Light Unit A, middle right side of Page, Light unit B, bottom right side of page.

*Primary Examiner*—Lisa Lichtenstein

*Attorney, Agent, or Firm*—Gifford, Krass, Groh, Sprinkle, Anderson & Citkowski, P.C.

[57] **CLAIM**

The ornamental design for a solar powered lighting unit, as shown and described.

**DESCRIPTION**

FIG. 1 is a perspective views of a solar powered lighting unit; showing my new design;

FIG. 2 is a front elevational view of the lighting unit of FIG. 1;

FIG. 3 is a top plan view of the lighting unit of FIG. 1;

FIG. 4 is a right side elevational view of the lighting unit of FIG. 1, it being understood that the left side elevational view is similar;

FIG. 5 is a rear elevational view of the lighting unit of FIG. 1; and,

FIG. 6 is a bottom plan view of the lighting unit of FIG. 1. The broken line showing of environmental structure in FIGS. 1, 2, 4, and 5 is for illustrative purposes only and forms no part of the claimed design. The grid system fragmentarily shown in FIGS. 1-3 extends uniformly throughout the area represented.

**1 Claim, 2 Drawing Sheets**

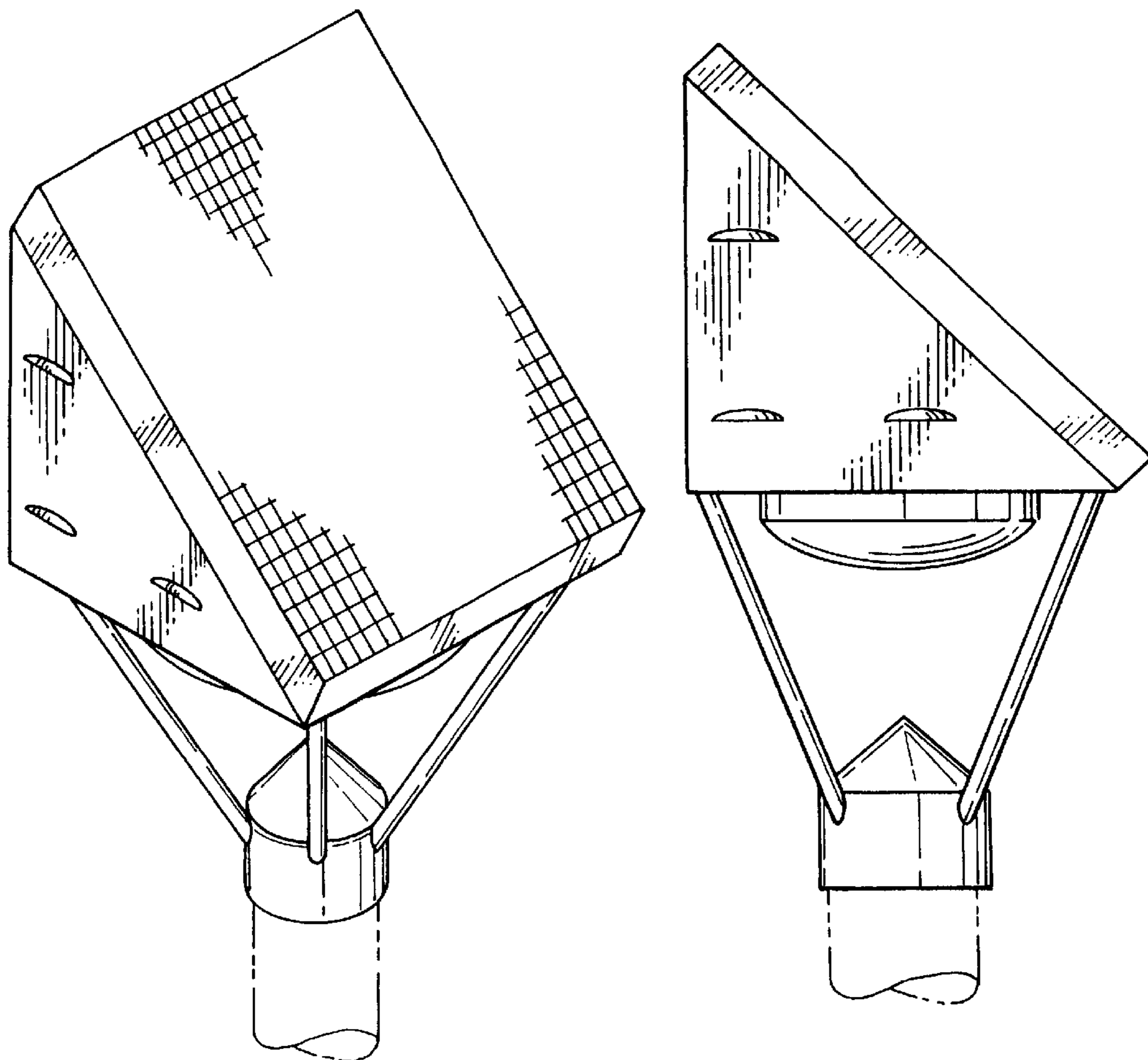


FIG-1

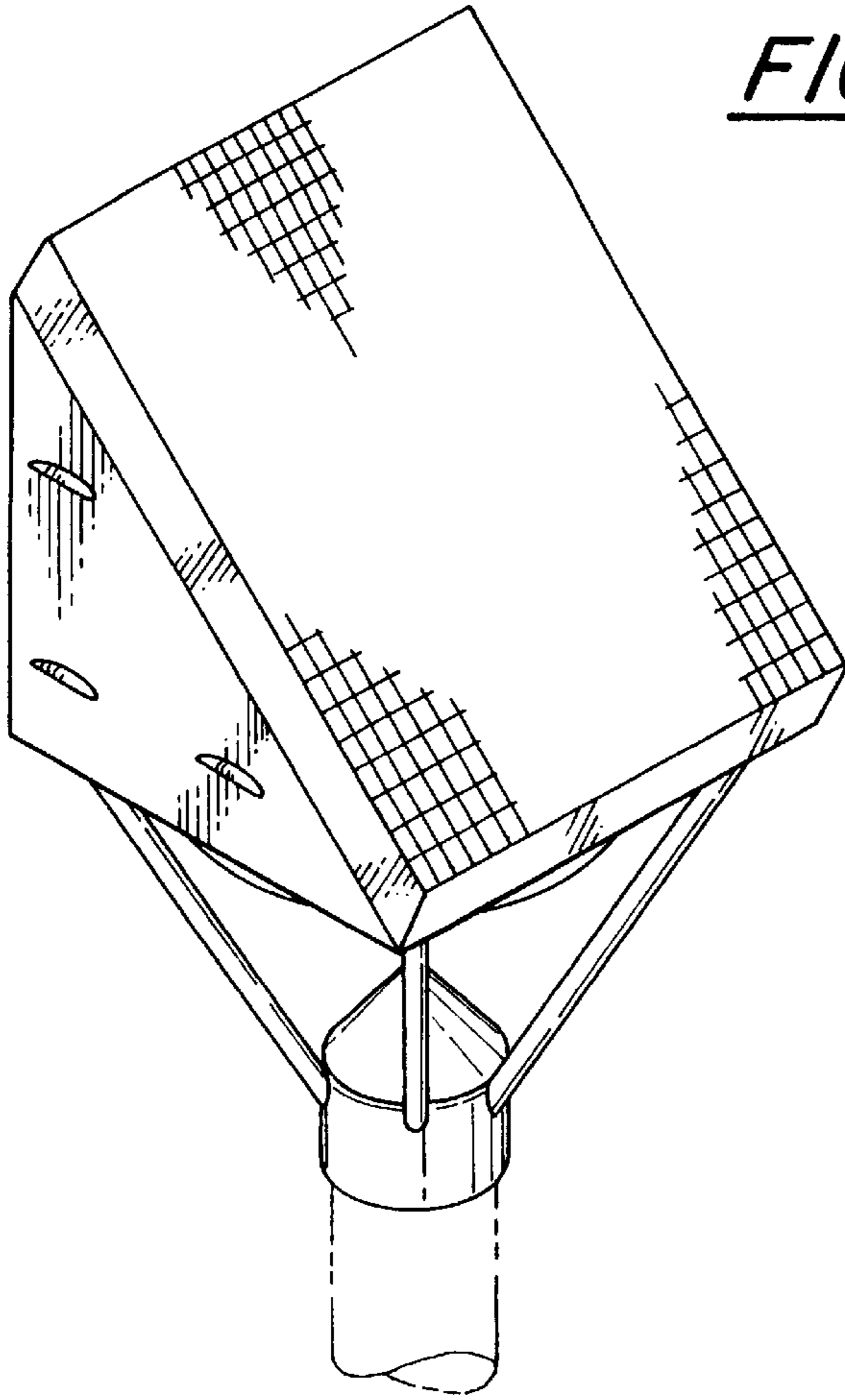


FIG-2

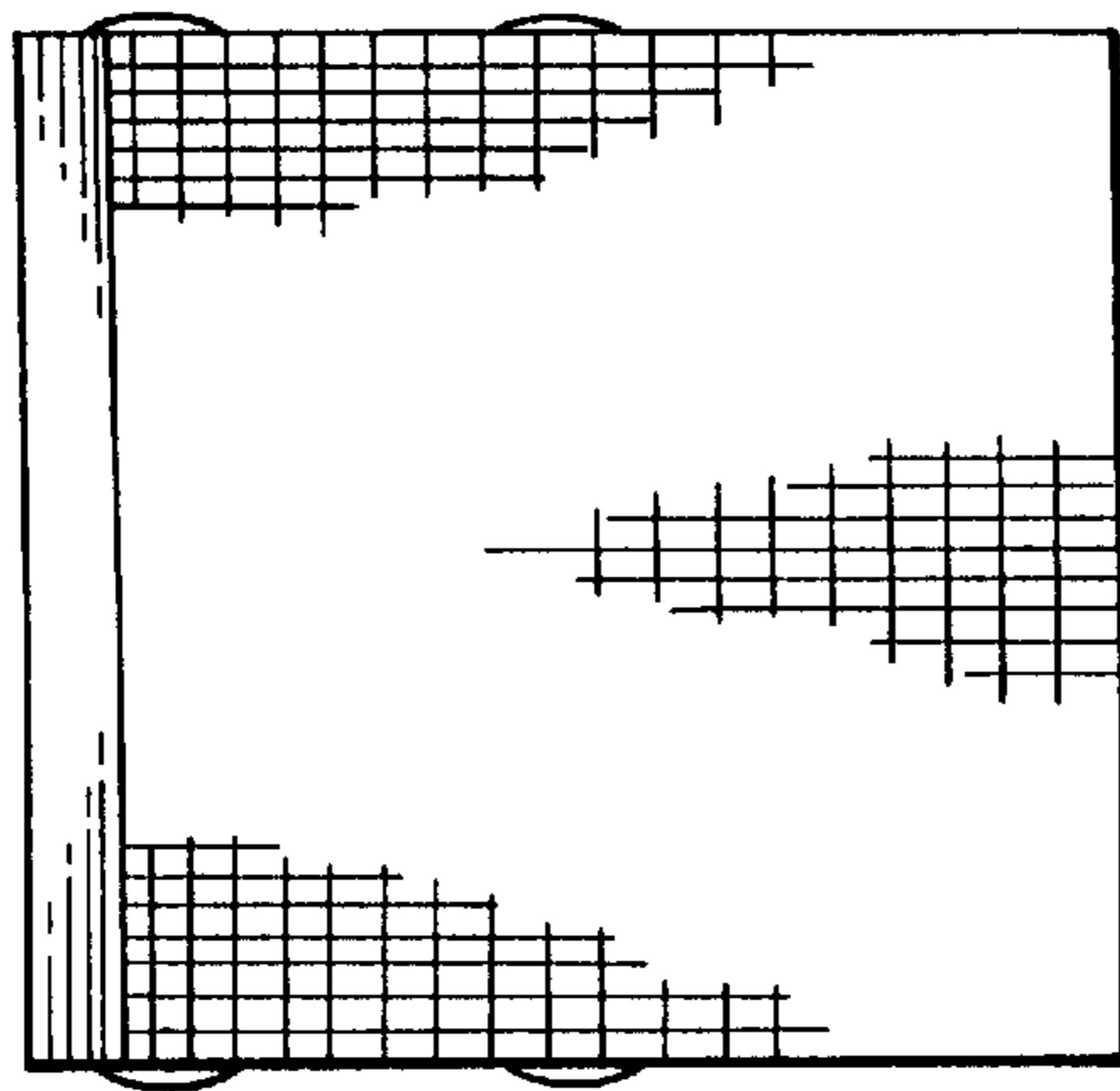
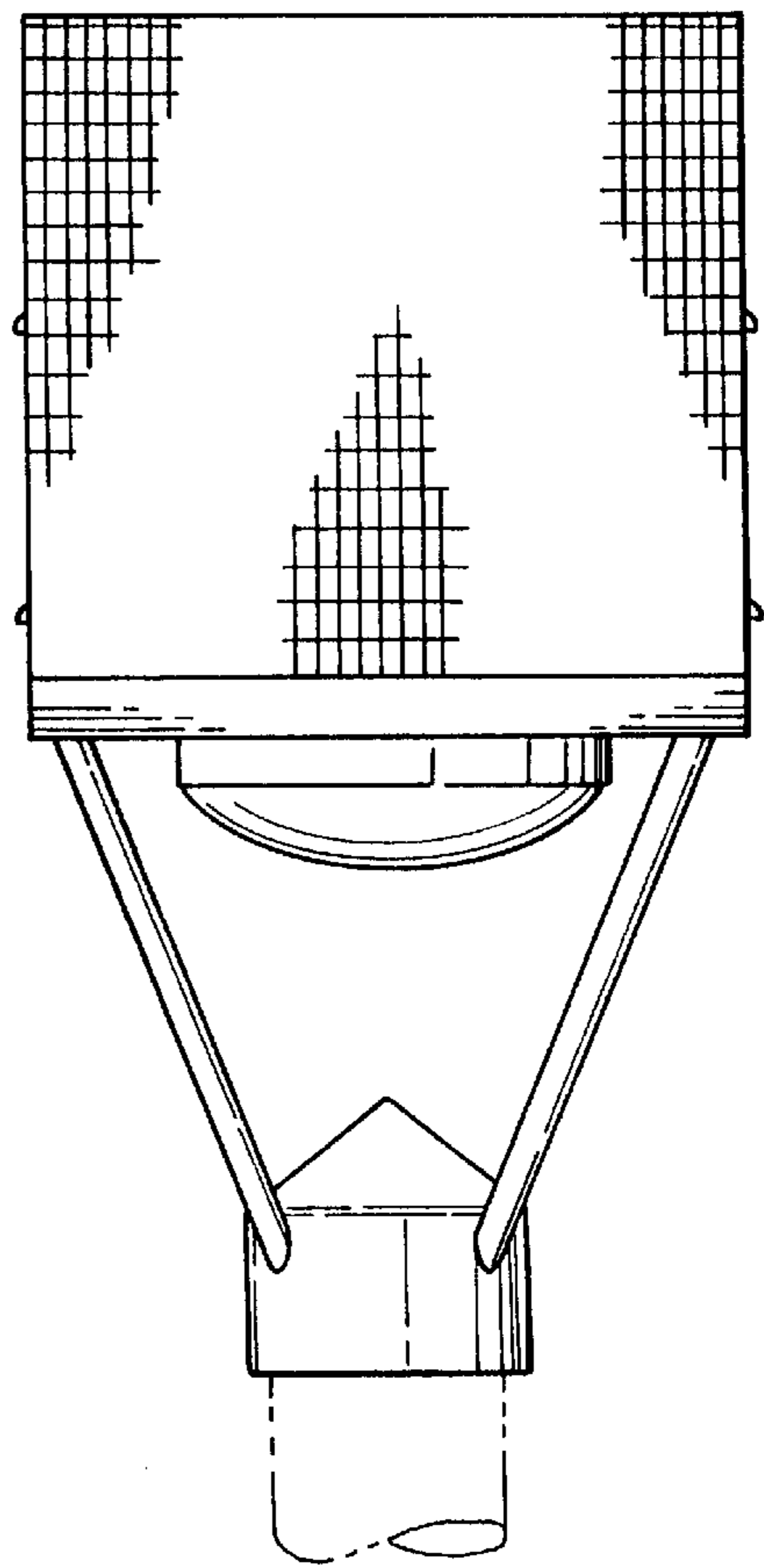


FIG-3

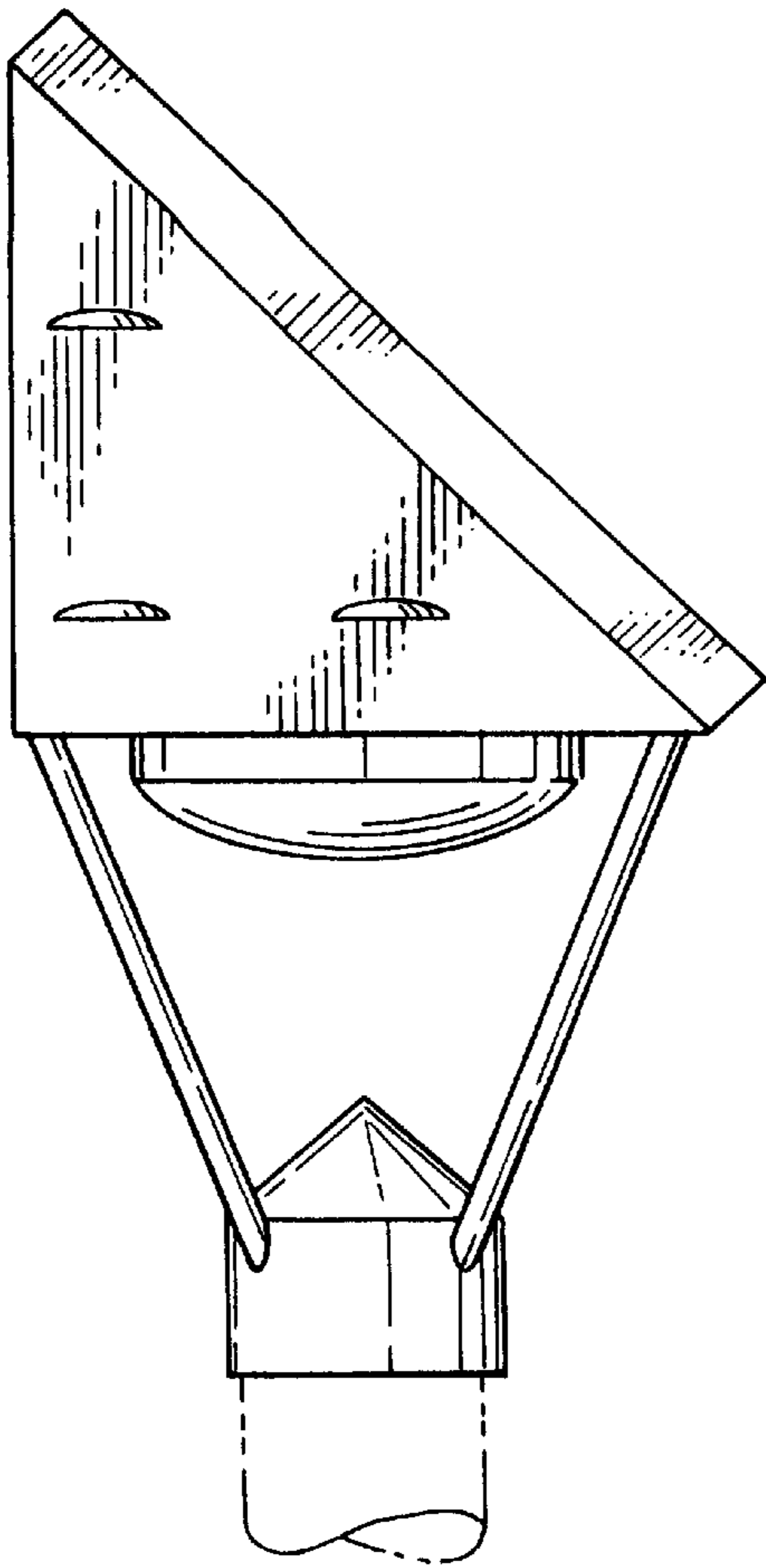


FIG-4

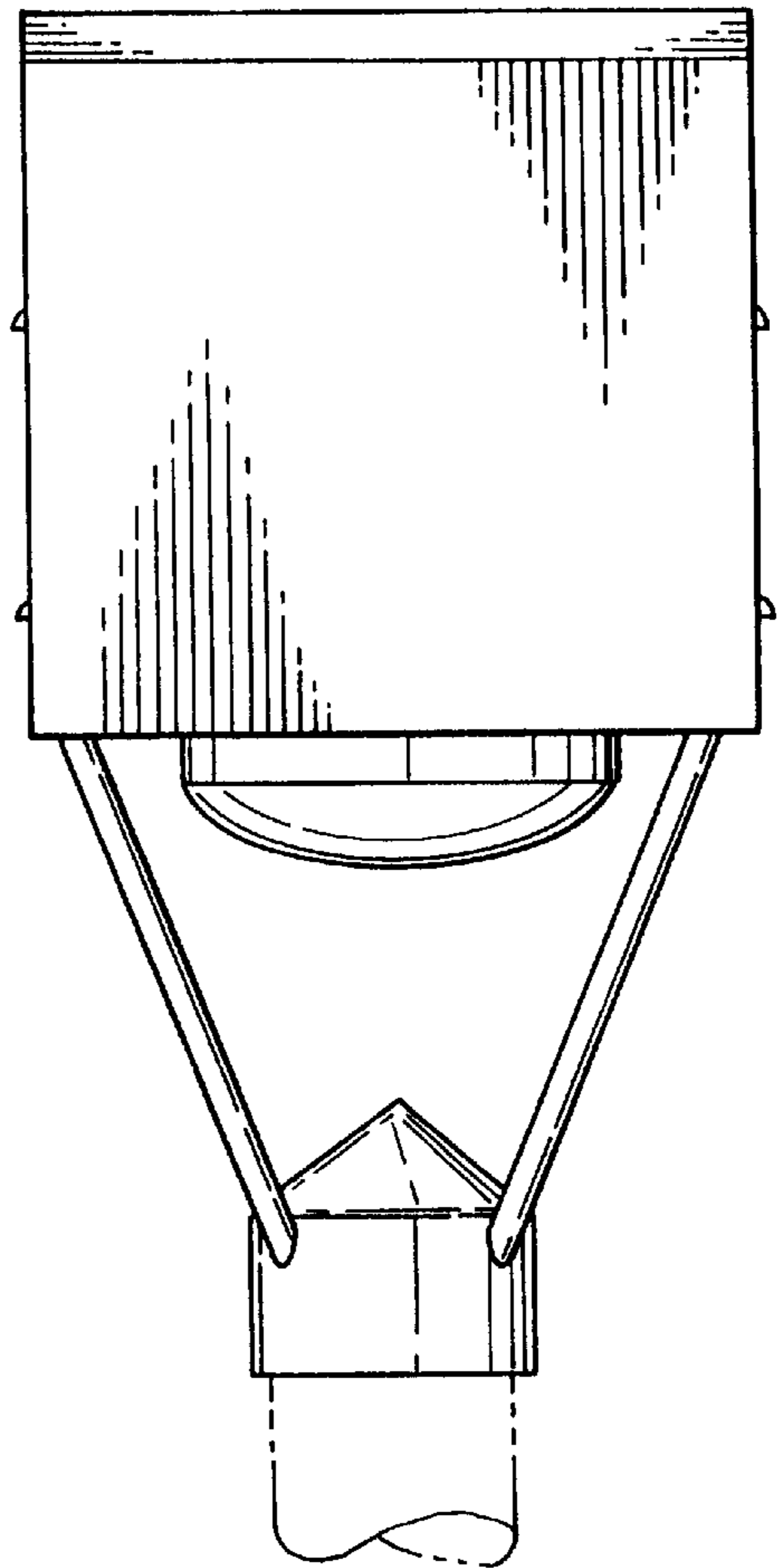


FIG-5

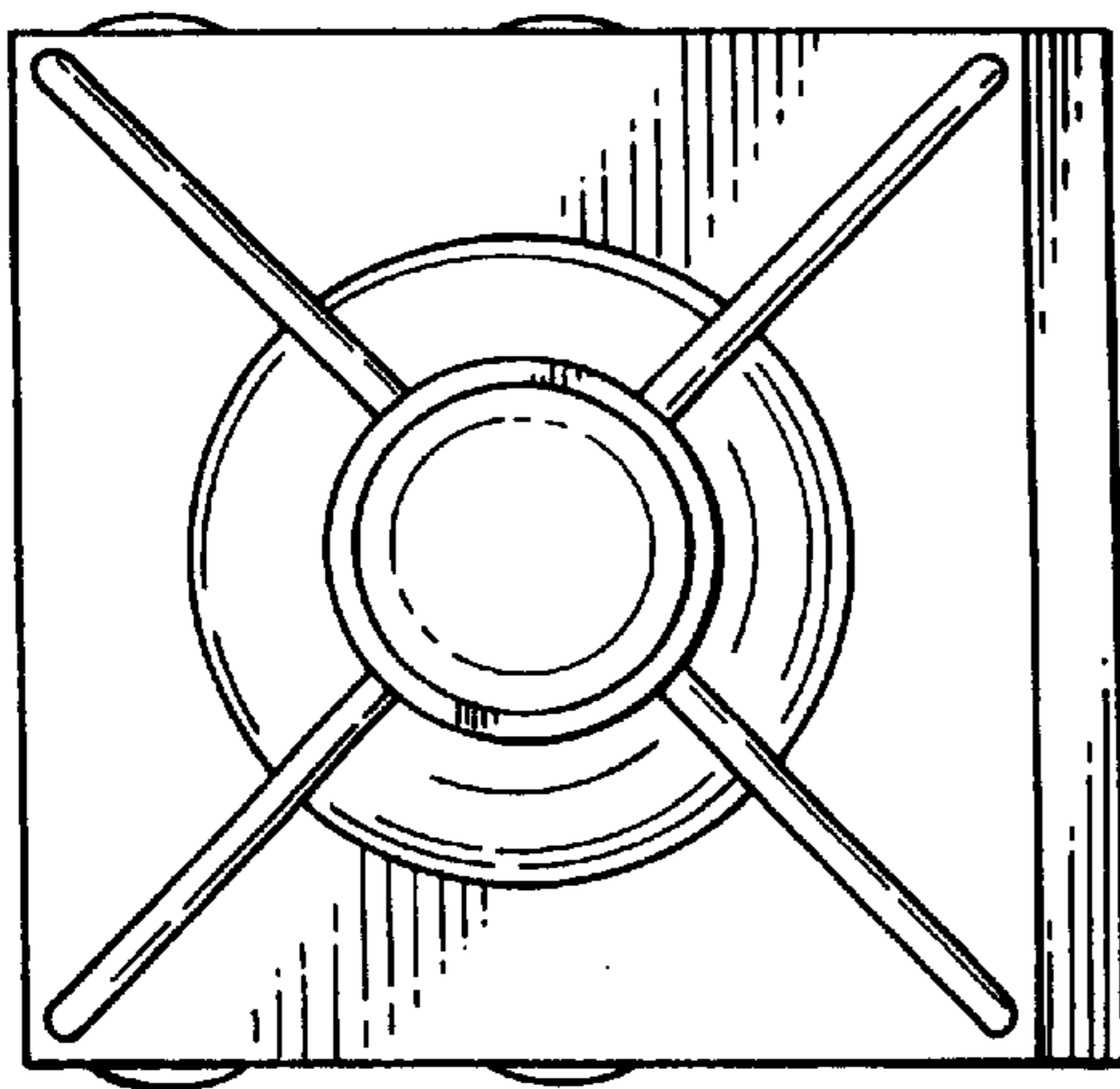


FIG-6