



US00D424728S

# United States Patent [19] Green et al.

[11] **Patent Number: Des. 424,728**

[45] **Date of Patent: \*\* May 9, 2000**

[54] **SPOT LIGHT**

[75] Inventors: **Timothy M. Green**, Fenton; **Andrew G. Smith**, Chesterfield, both of Mo.; **John H. Loudenslager**, Phoenix, Ariz.

[73] Assignee: **Code 3, Inc.**, St. Louis, Mo.

[\*\*] Term: **14 Years**

[21] Appl. No.: **29/091,049**

[22] Filed: **Jul. 22, 1998**

[51] **LOC (7) Cl.** ..... **26-05**

[52] **U.S. Cl.** ..... **D26/63**

[58] **Field of Search** ..... D26/60-66; 362/269, 362/274, 277, 285, 418, 419, 427

[56] **References Cited**

**U.S. PATENT DOCUMENTS**

D. 355,267	2/1995	Parker	.....	D26/24
D. 368,972	4/1996	Bray et al.	.....	D26/61
3,732,537	5/1973	Freeman	.....	340/50
4,890,207	12/1989	Jones	.	
4,981,363	1/1991	Lipman	.....	362/68

**FOREIGN PATENT DOCUMENTS**

57-49841	11/1982	Japan	.....	F21M 1/00
60-15205	5/1985	Japan	.....	F21Q 3/00

**OTHER PUBLICATIONS**

Betts, "First Quality Lamps and Lighting Systems" product brochure, undated, 1 page.  
Unity Brochure for THE BEAM, 1992.

Able 2 Products Co. Brochure for Emergency Light, 1990.  
Jabsco Products ITT Brochure for Sireno, 1974.  
146SL Motorized Remote Control Searchlight, circa 1998.  
Federal Signal Brochure for Visibeam II, circa 1998.  
Star Beam Brochure for Wireless Remote Control Spotlight System, circa 1991.  
Gall's Flashlights & Spotlights, 1998.  
Sparton Search Light Brochure for Traffic Safety, circa 1998.

*Primary Examiner*—Freda Nunn  
*Attorney, Agent, or Firm*—Senninger, Powers, Leavitt & Roedel

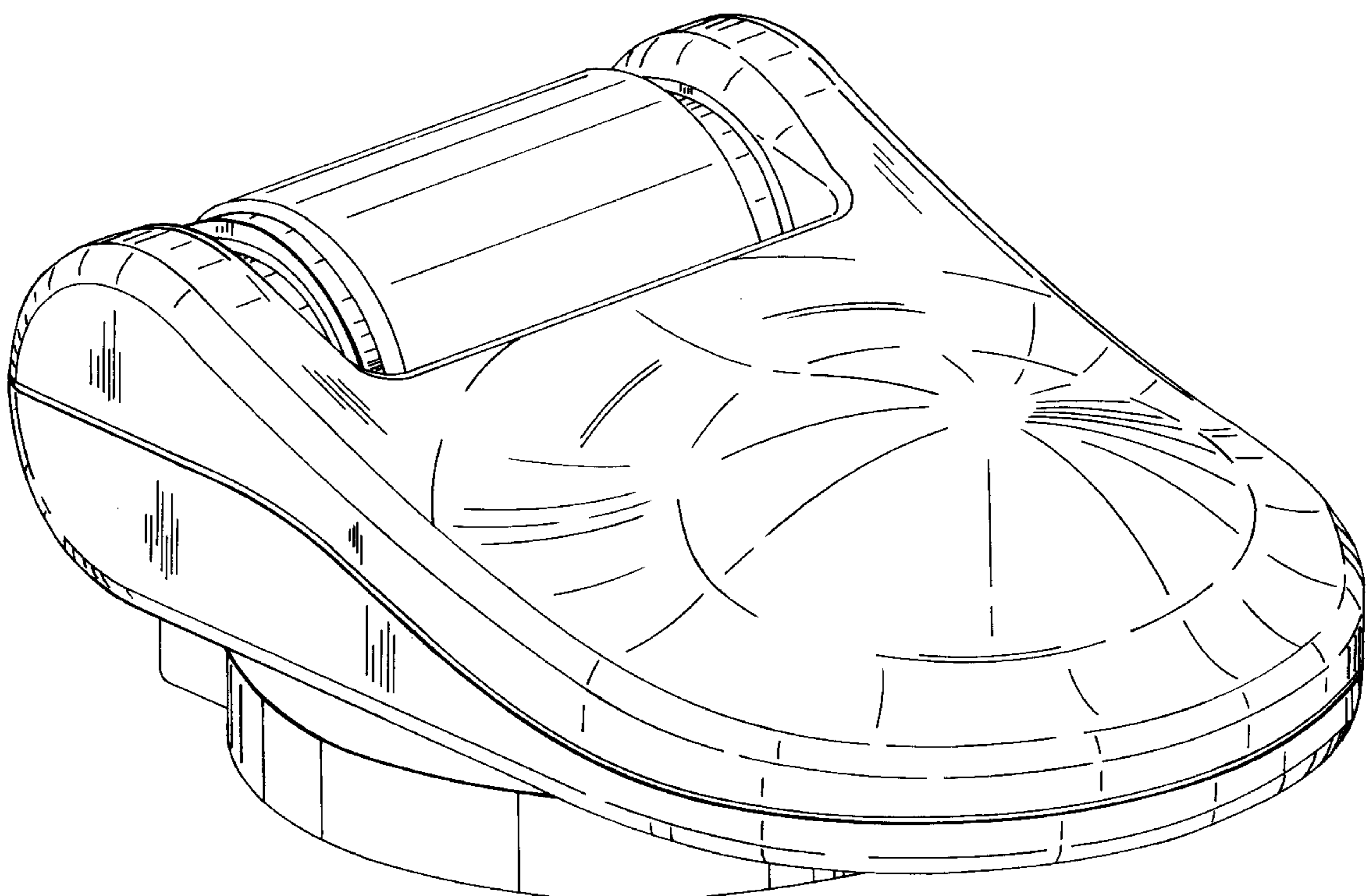
[57] **CLAIM**

The ornamental design for a spot light, as shown and described.

**DESCRIPTION**

FIG. 1 is a front and left side perspective view of a spot light incorporating our new design;  
FIG. 2 is a right side elevational view thereof, the left side elevation view being a mirror image thereof;  
FIG. 3 is a front elevational view thereof;  
FIG. 4 is a rear elevation view thereof;  
FIG. 5 is a top plan view thereof; and,  
FIG. 6 is a bottom plan view thereof.

**1 Claim, 6 Drawing Sheets**



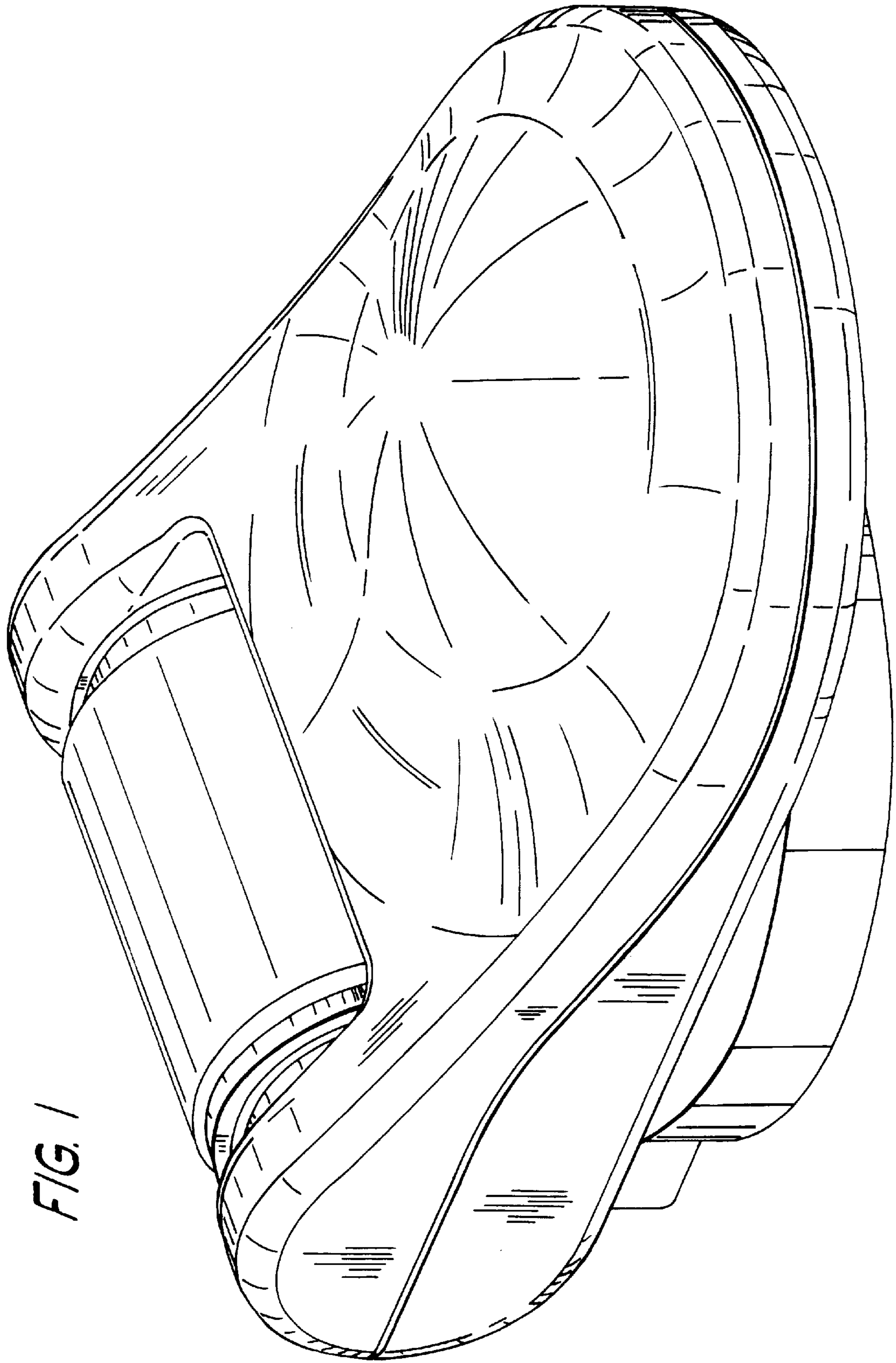


FIG. 1

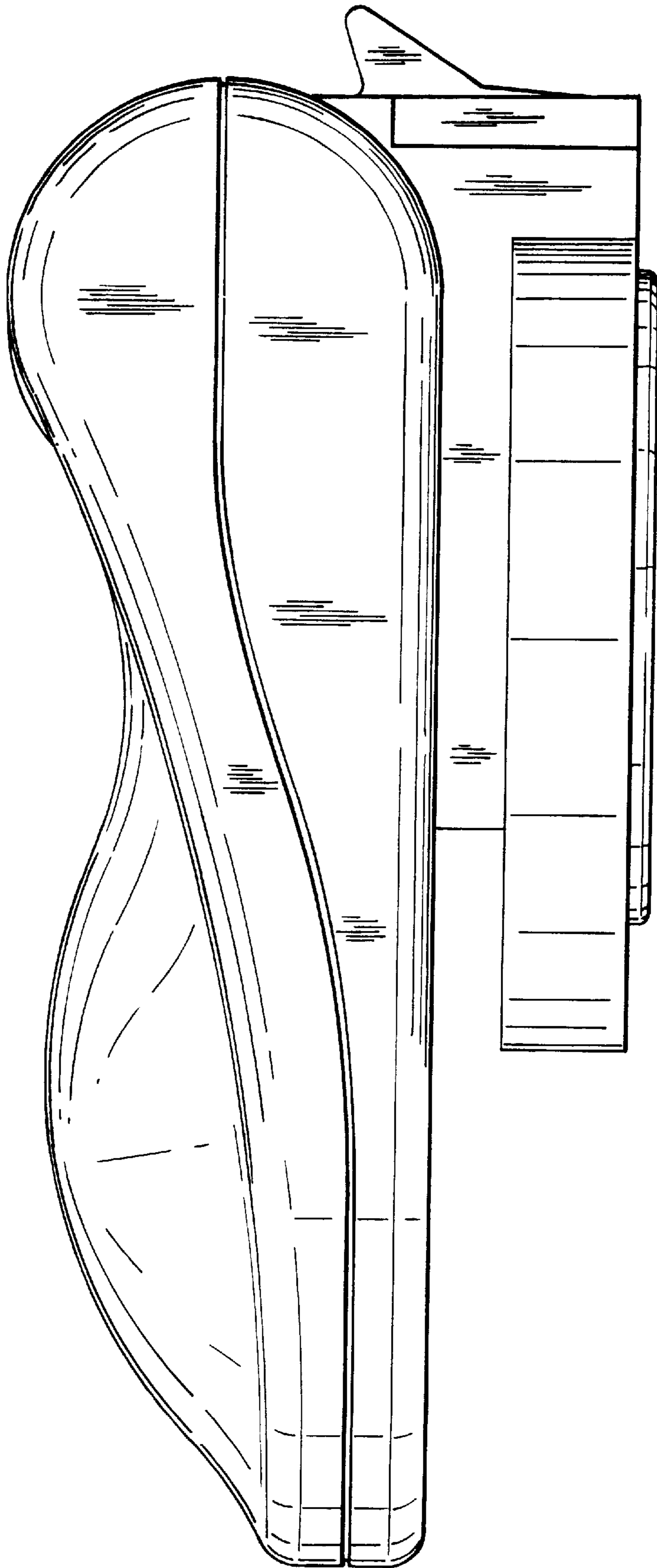
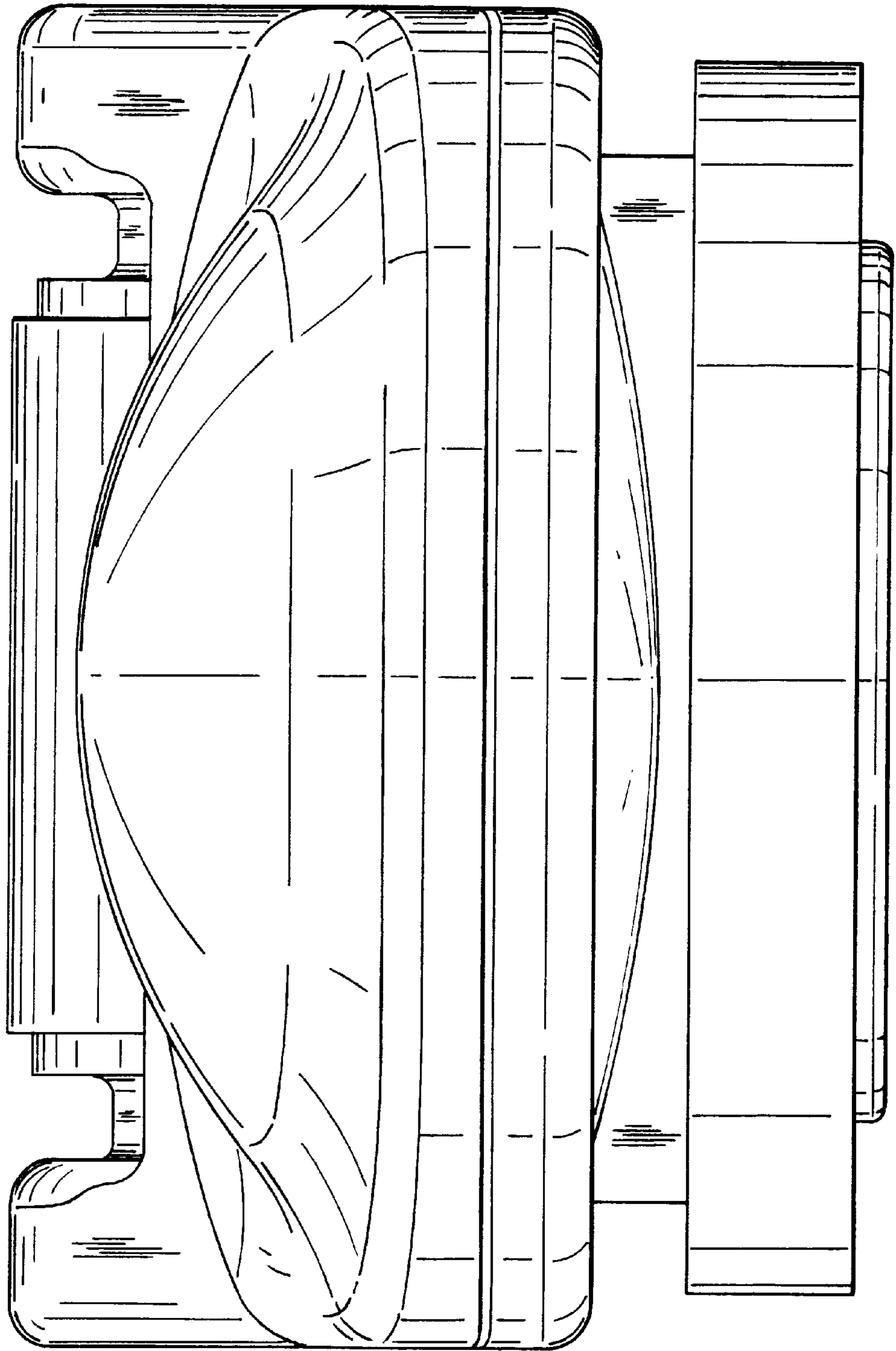


FIG. 2

FIG. 3



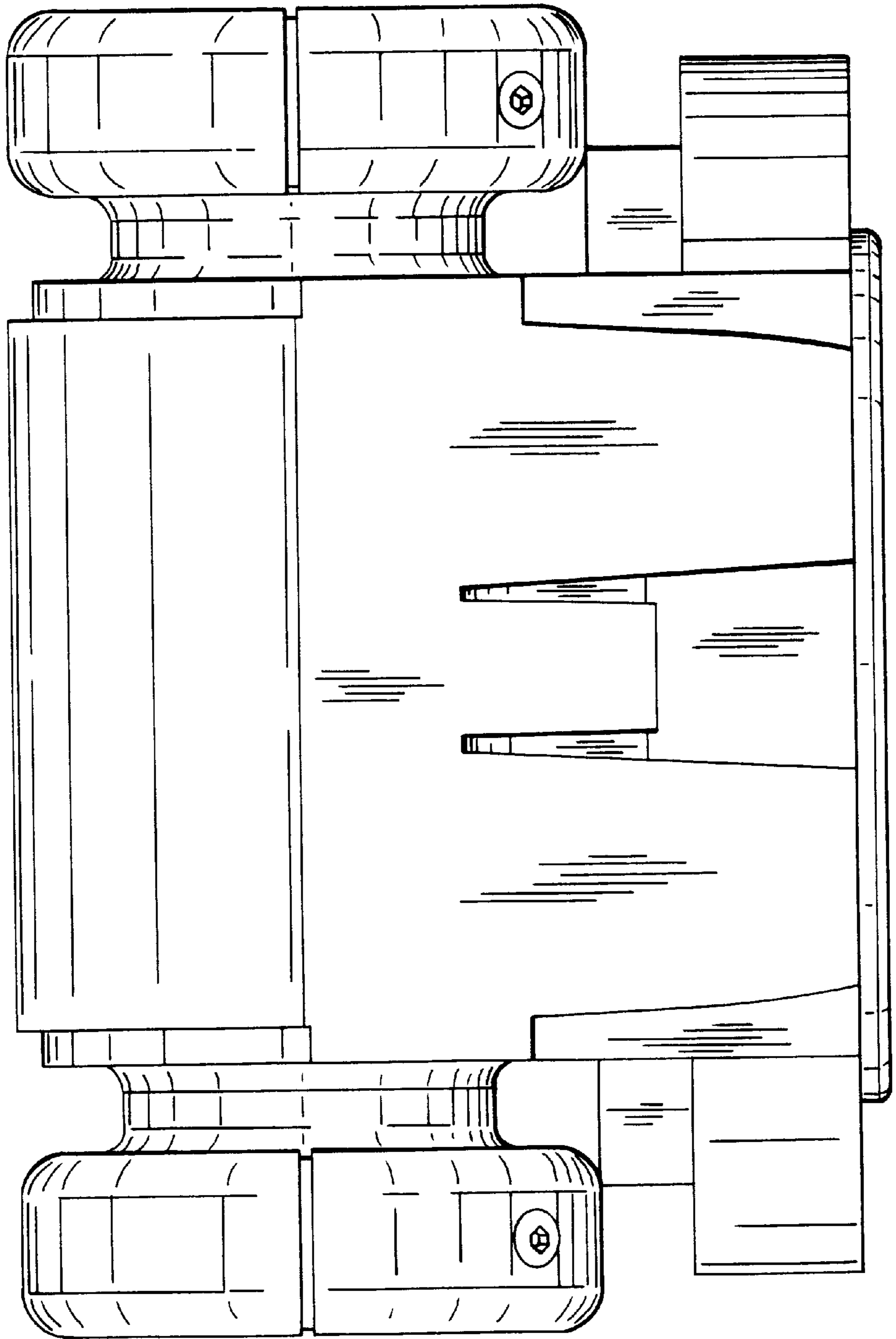


FIG. 4

FIG. 5

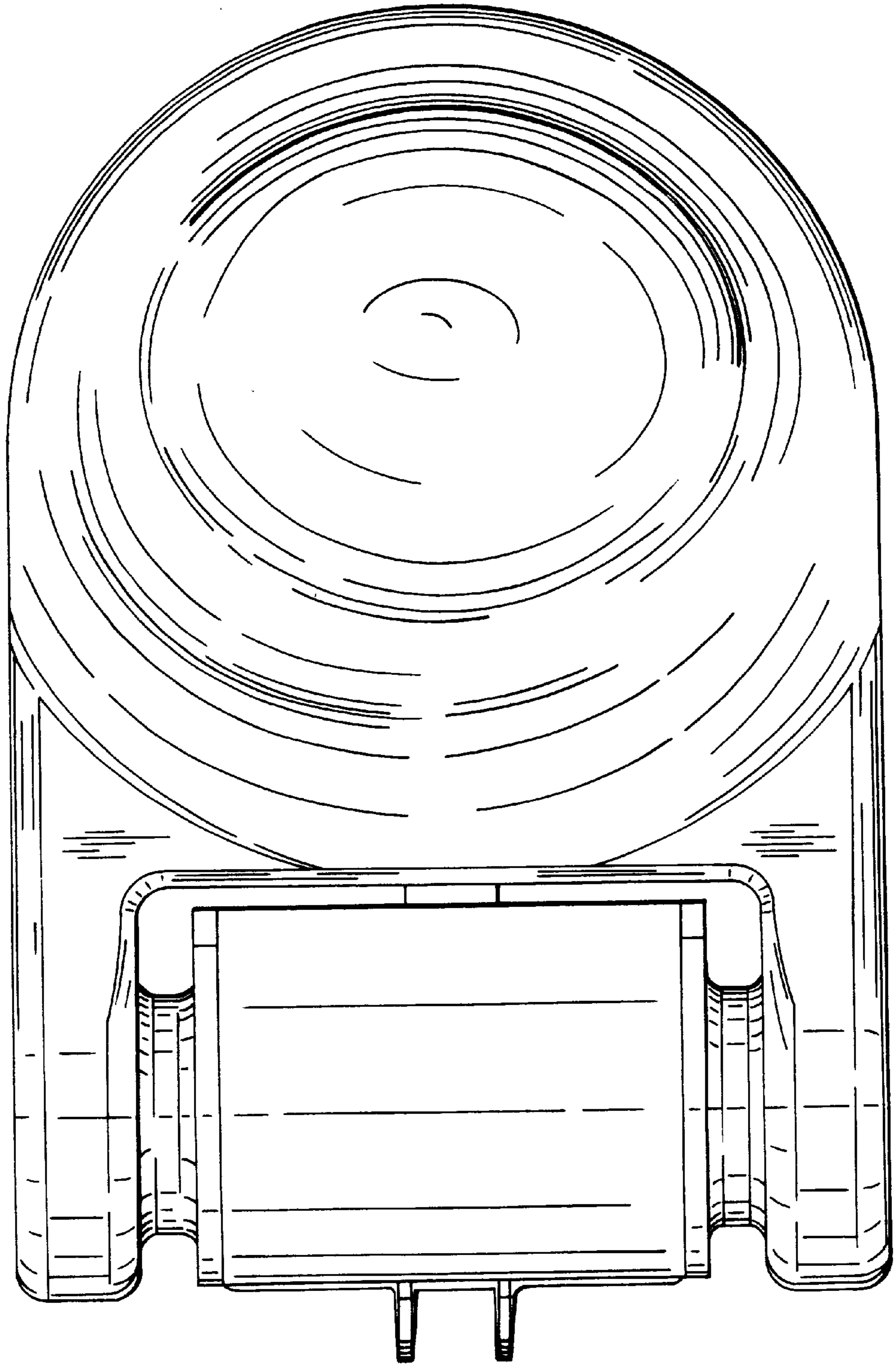


FIG. 6

