



US00D424727S

United States Patent [19]
Greubel

[11] **Patent Number: Des. 424,727**

[45] **Date of Patent: ** May 9, 2000**

[54] **COMBINED MOTION DETECTOR AND SECURITY LIGHTS**

D. 360,960 8/1995 Wedell et al. D26/63
5,258,899 11/1993 Chen 362/419 X
5,381,323 1/1995 Osteen et al. 362/419 X

[75] Inventor: **Juergen Greubel**, Heidenrod, Germany

Primary Examiner—Susan J. Lucas
Attorney, Agent, or Firm—Kinney & Lange, P.A.

[73] Assignee: **Steinel GmbH & Co. K.G.**,
Herzebrock-Clarholz, Germany

[57] **CLAIM**

[**] Term: **14 Years**

The ornamental design for combined motion detector and security lights, as shown and described.

[21] Appl. No.: **29/062,963**

DESCRIPTION

[22] Filed: **Oct. 7, 1996**

[51] **LOC (7) Cl.** **26-05**

[52] **U.S. Cl.** **D26/51; D10/104; D10/106;**
D26/63

FIG. 1 is a perspective view of the combined motion detector and security lights, the light bulbs being shown in phantom for illustrative purposes only, forming no part of the claimed design;

[58] **Field of Search** D26/62, 63, 65,
D26/51; 362/269, 275, 287, 427, 418, 419,
421; D10/104, 106

FIG. 2 is a top plan view;

FIG. 3 is a front elevational view;

FIG. 4 is a left side elevational view;

FIG. 5 is a right side elevational view;

FIG. 6 is a rear view; and,

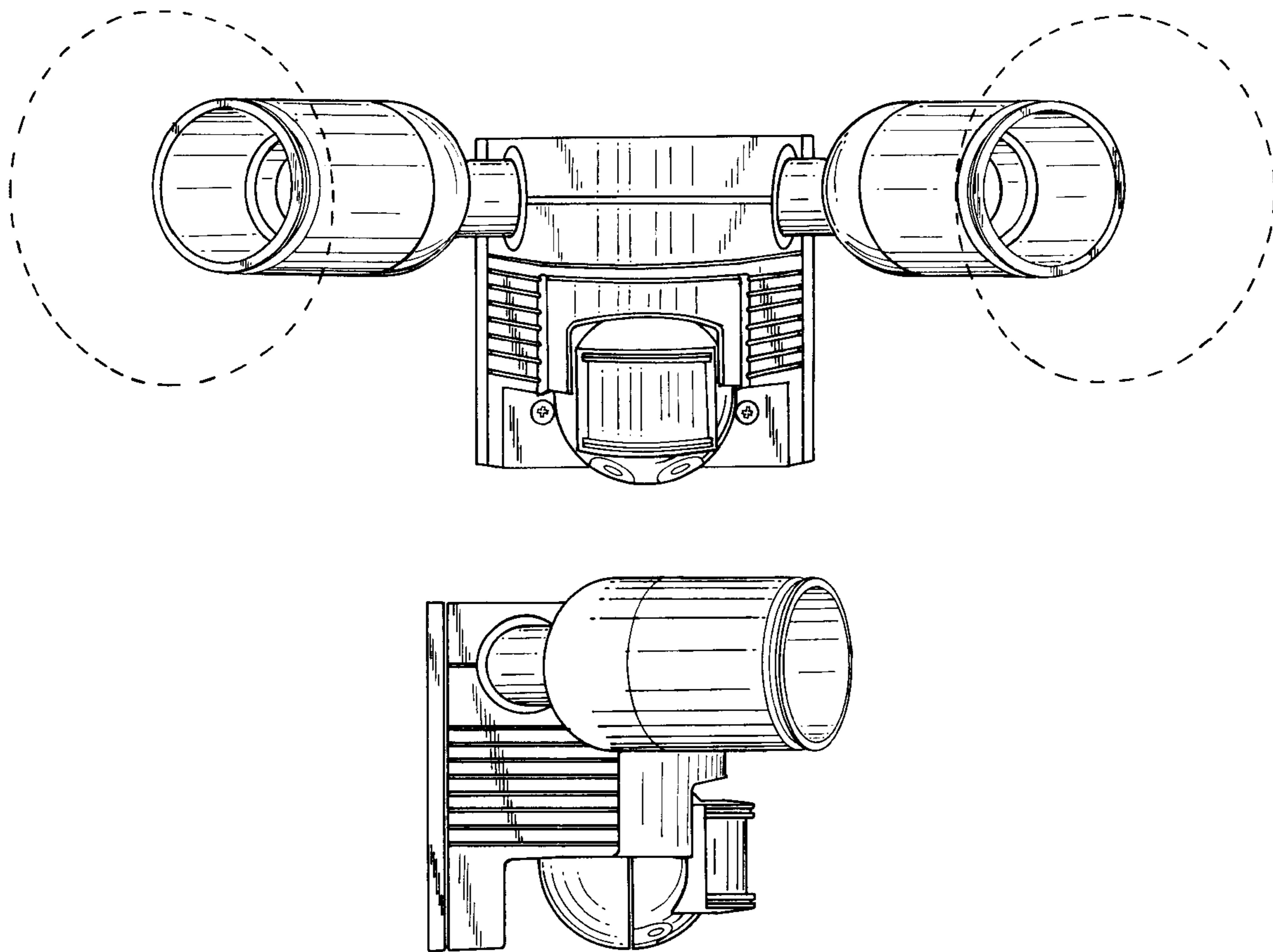
FIG. 7 is a bottom plan view.

[56] **References Cited**

U.S. PATENT DOCUMENTS

D. 316,456 4/1991 De Candia D26/63

1 Claim, 4 Drawing Sheets



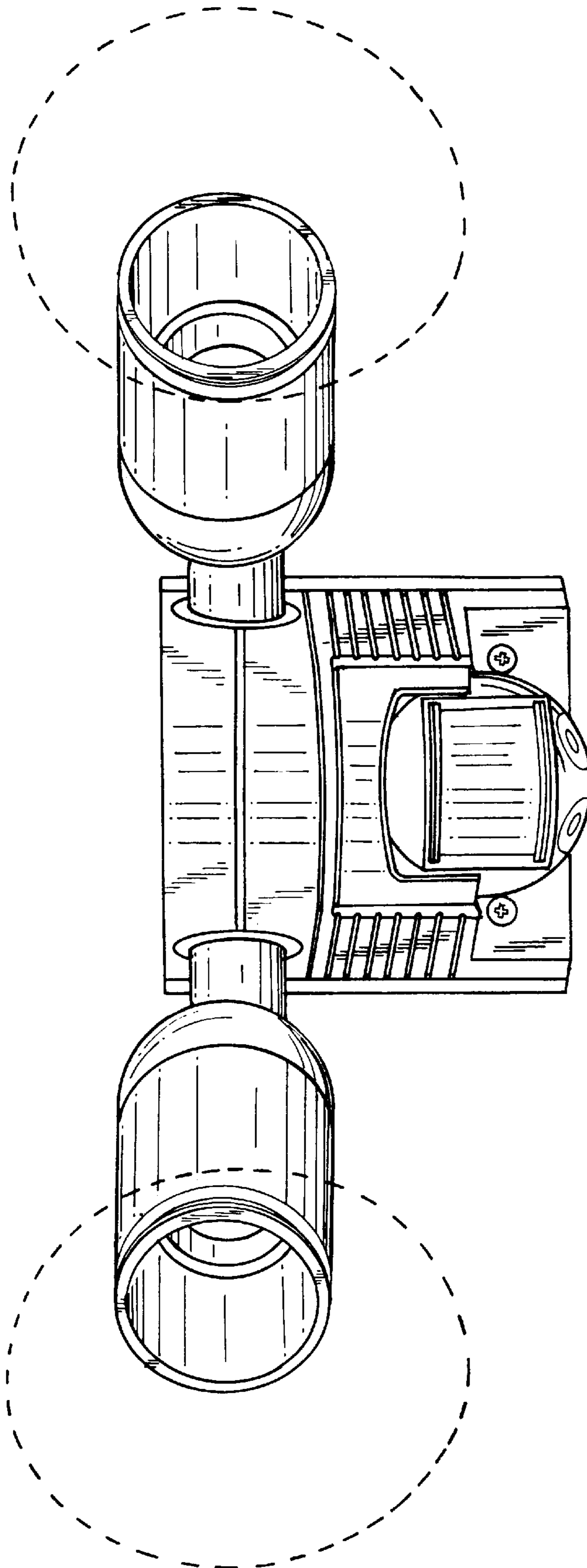
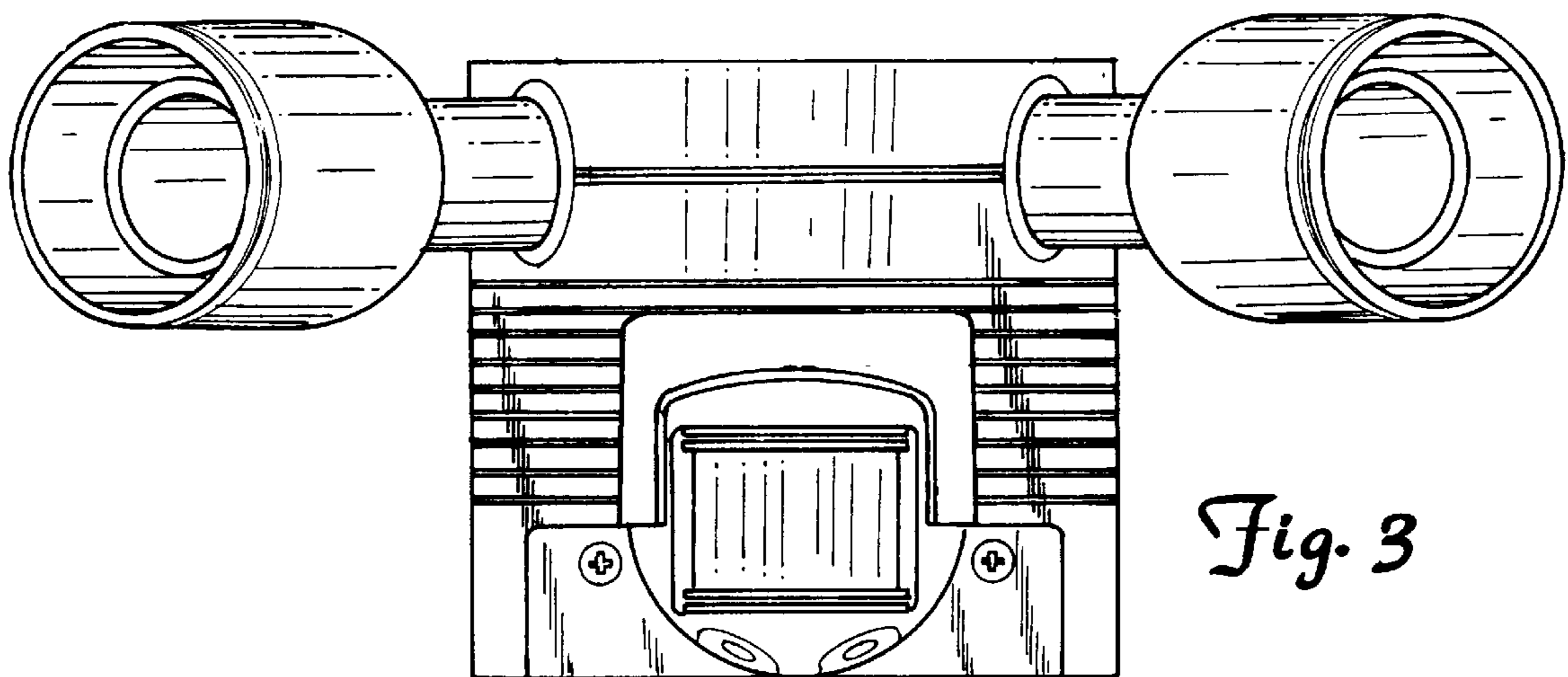
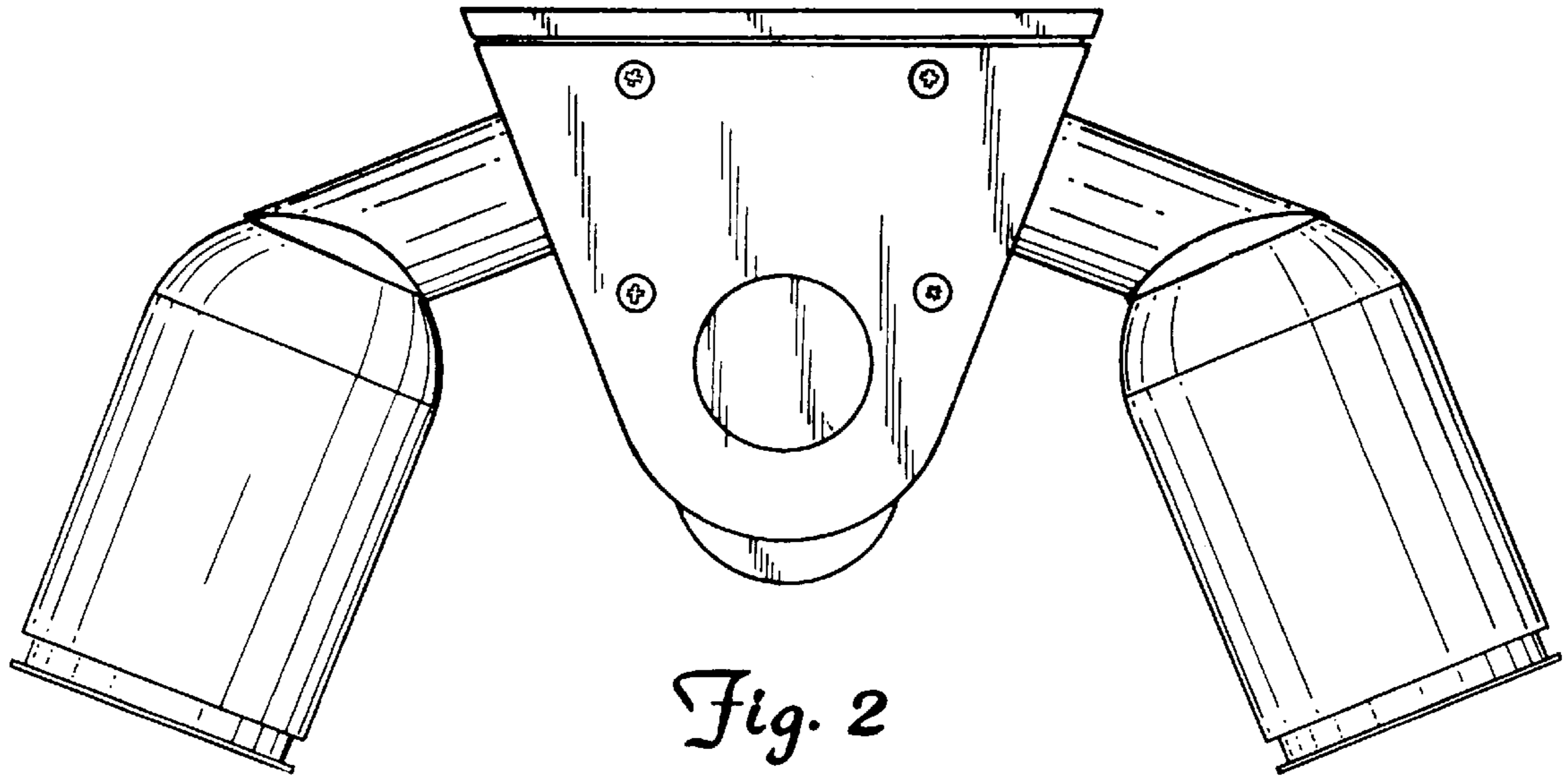


Fig. 1



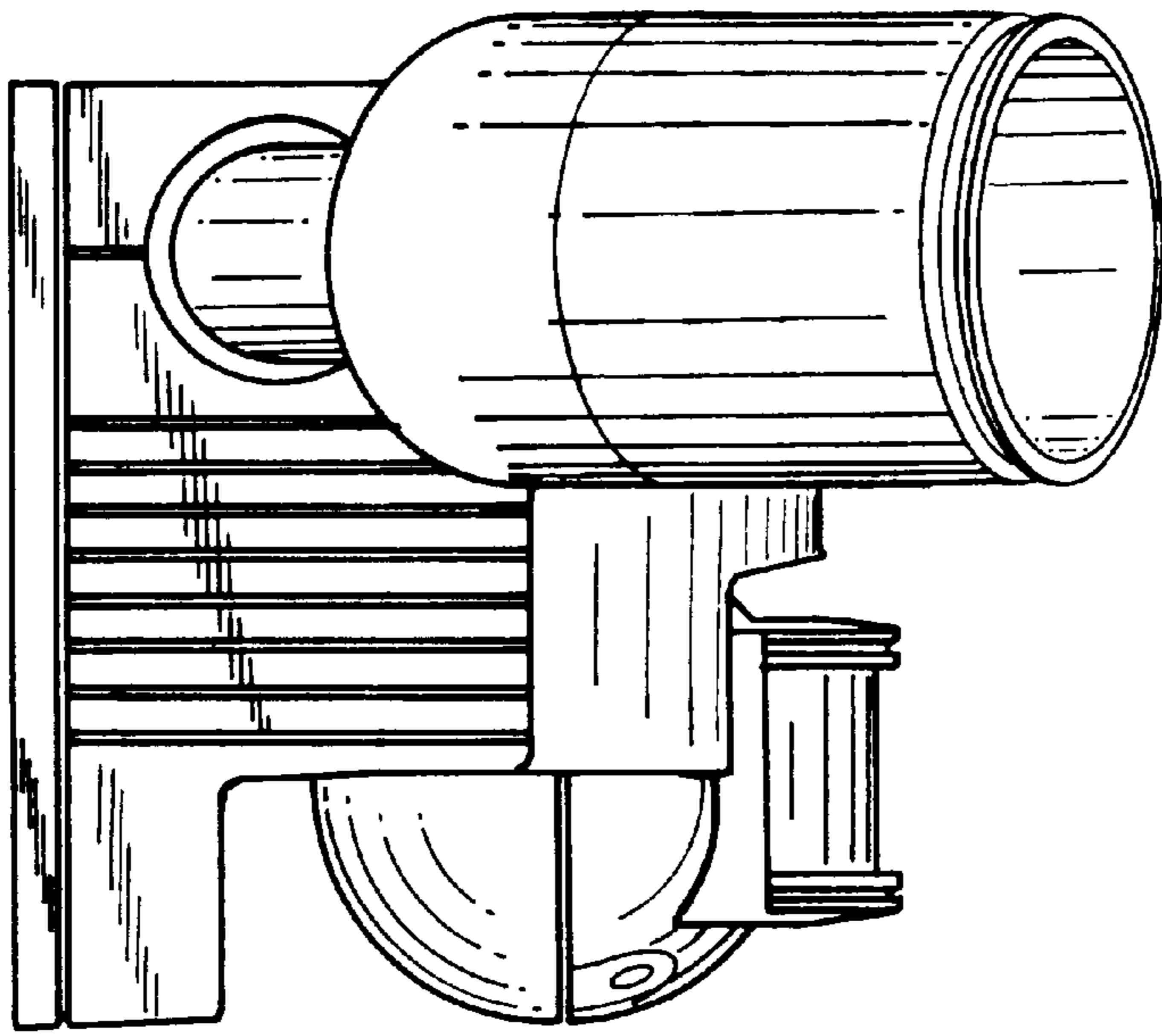


Fig. 4

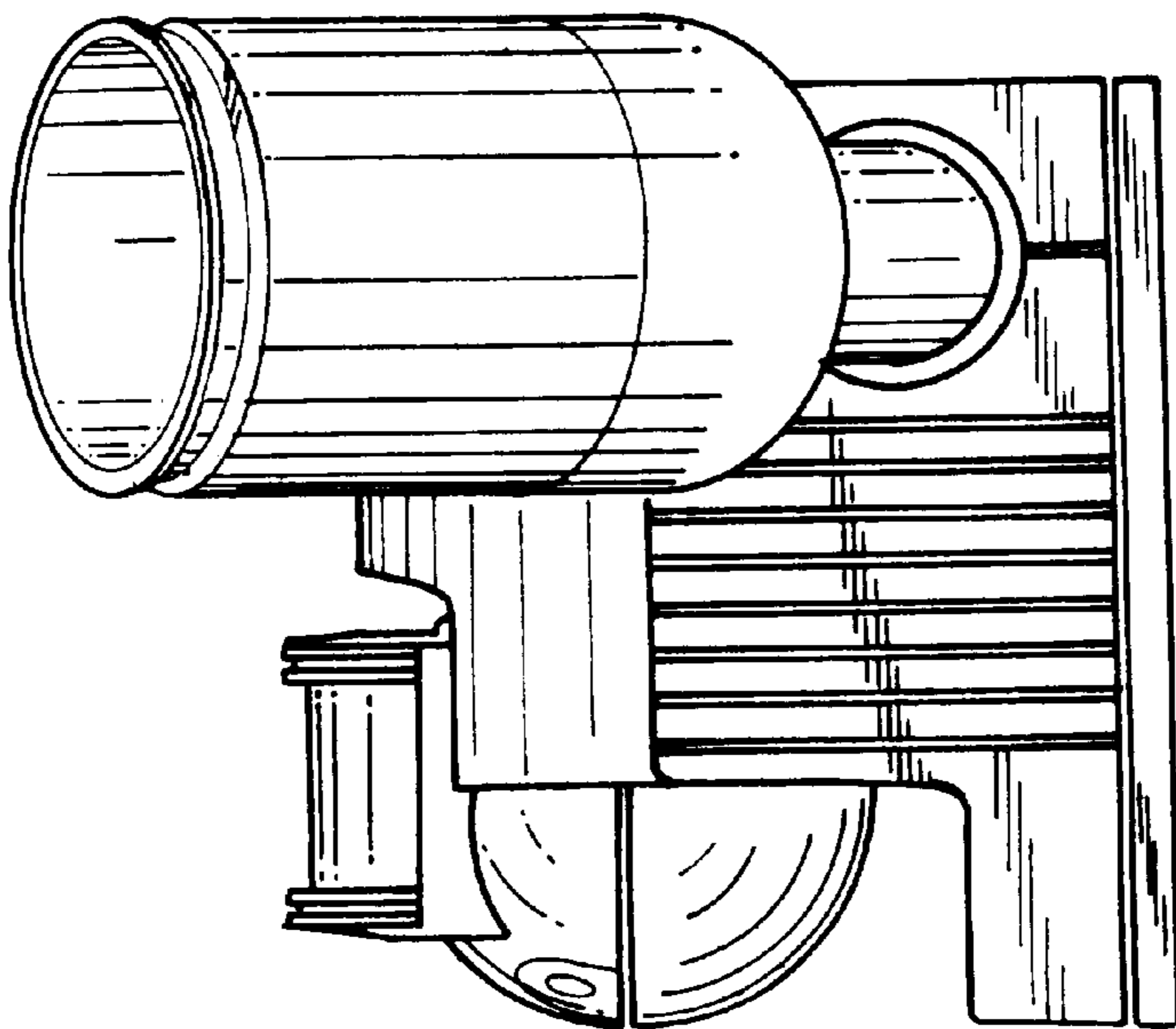


Fig. 5

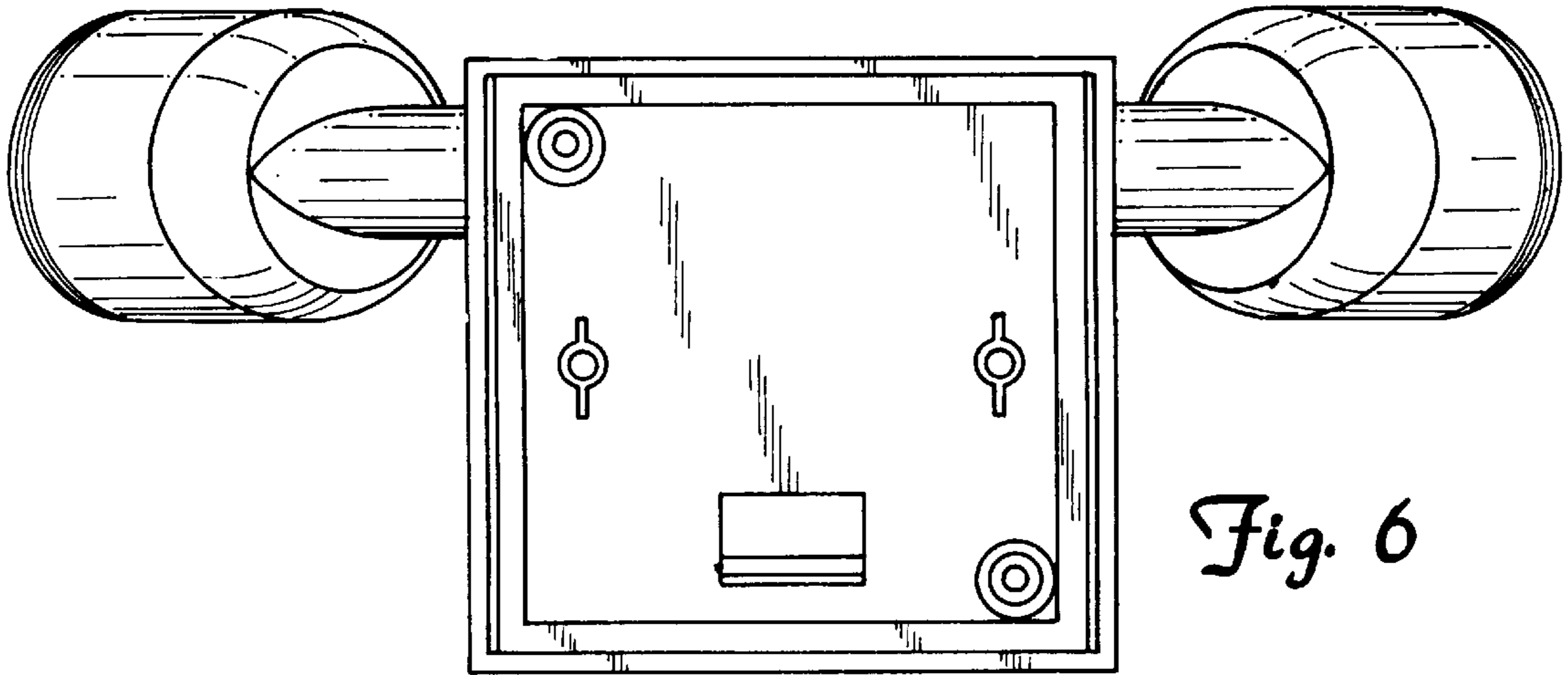


Fig. 6

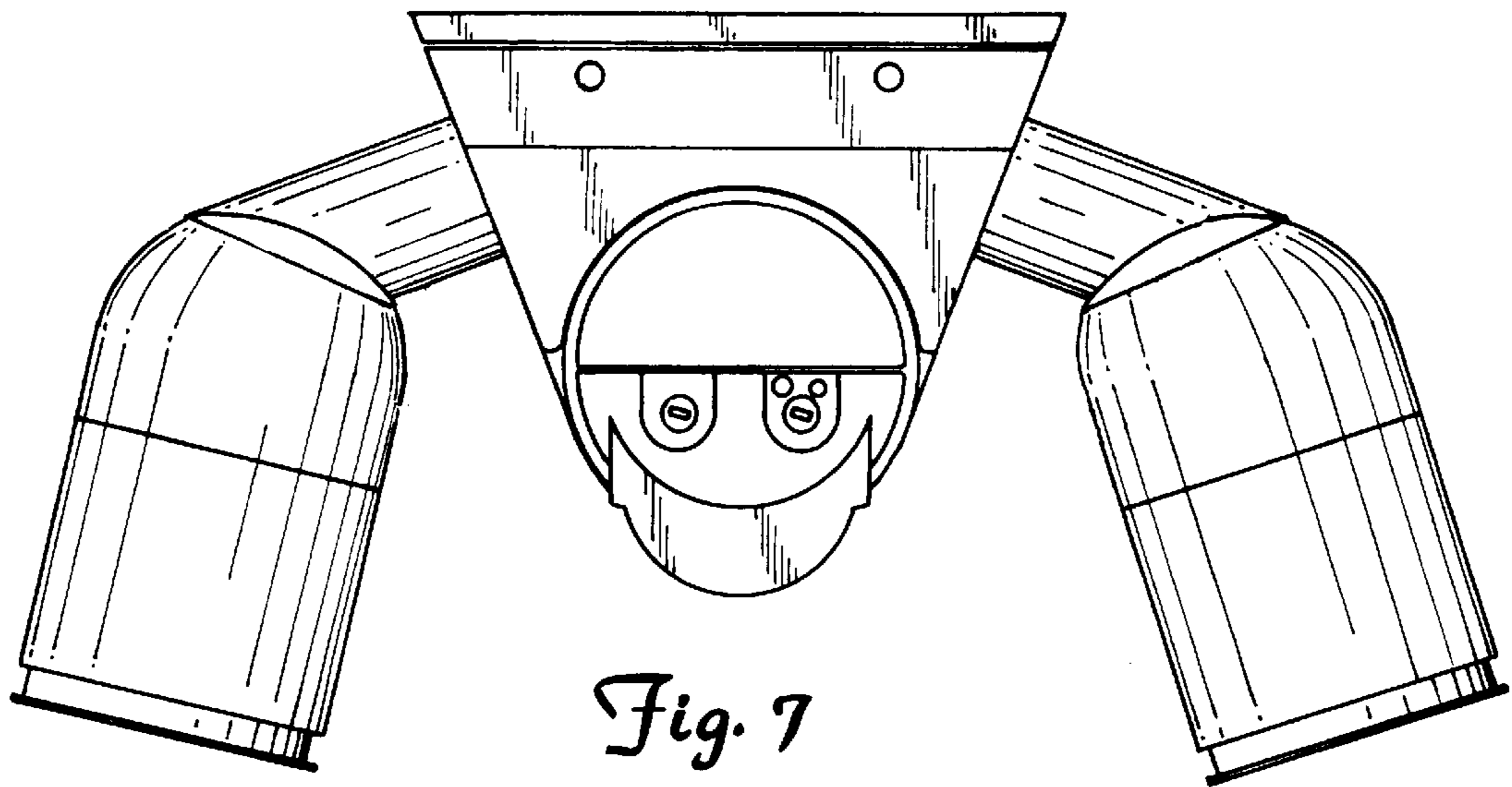


Fig. 7