



US00D424726S

# United States Patent [19]

[11] **Patent Number: Des. 424,726**

**Petterson et al.**

[45] **Date of Patent: \*\* May 9, 2000**

[54] **LANTERN**

D. 399,016 9/1998 Howard et al. .... D26/42  
D. 414,886 10/1999 Zo ..... D26/42

[76] Inventors: **Tor Petterson**, 31248 Palos Verdes Dr.  
West, Rancho Palos Verdes, Calif.  
90275; **Zoltan Pavlakovich**, 4832  
Bruges Ave., Woodland Hills, Calif.  
91364

*Primary Examiner*—Marcus A. Jackson  
*Attorney, Agent, or Firm*—Sheldon & Mak; Denton L.  
Anderson

[\*\*] Term: **14 Years**

### [57] CLAIM

The ornamental design for a lantern, as shown and described.

[21] Appl. No.: **29/112,467**

### DESCRIPTION

[22] Filed: **Oct. 19, 1999**

[51] **LOC (7) Cl.** ..... **26-02**

[52] **U.S. Cl.** ..... **D26/40**

[58] **Field of Search** ..... D26/37-50; 362/157,  
362/158, 183-208

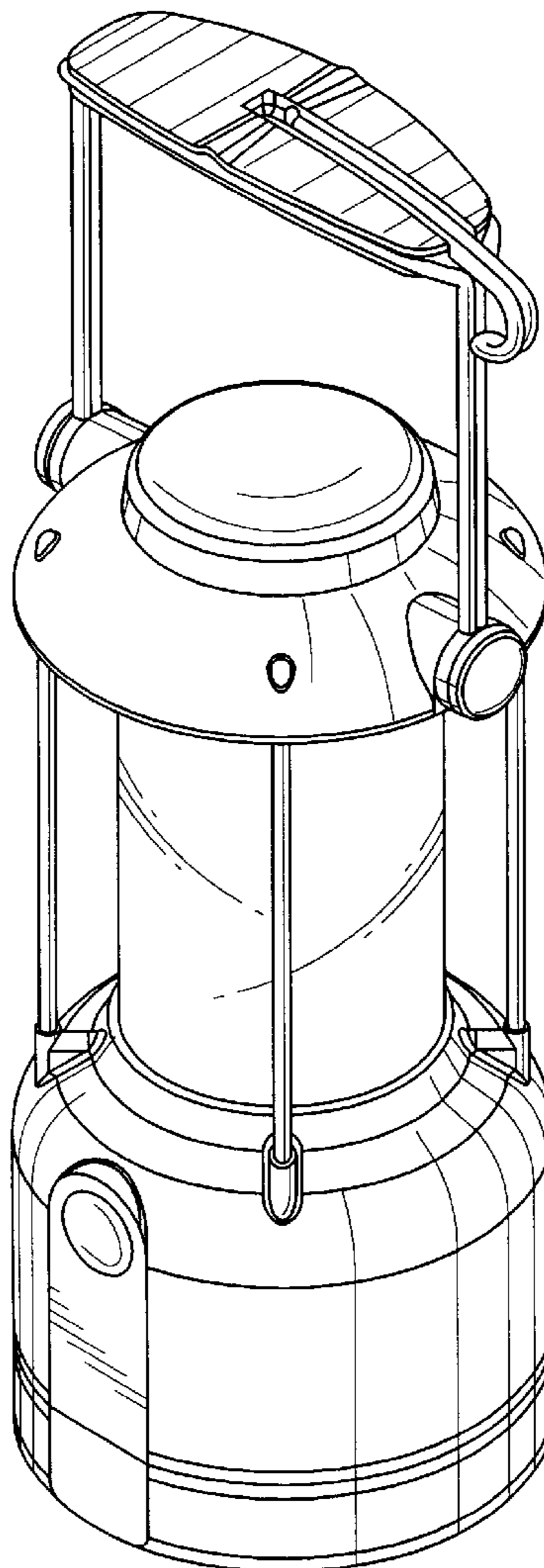
FIG. 1 is a front view of the lantern of the invention;  
FIG. 2 is a side view of the lantern of FIG. 1;  
FIG. 3 is a rear view of the lantern of FIG. 1;  
FIG. 4 is a top view of the lantern of FIG. 1;  
FIG. 5 is a bottom view of the lantern of FIG. 1;  
FIG. 6 is an isometric front/side view looking downward of  
the lantern of FIG. 1; and,  
FIG. 7 is an isometric bottom/side view looking forward of  
the lantern of FIG. 1.

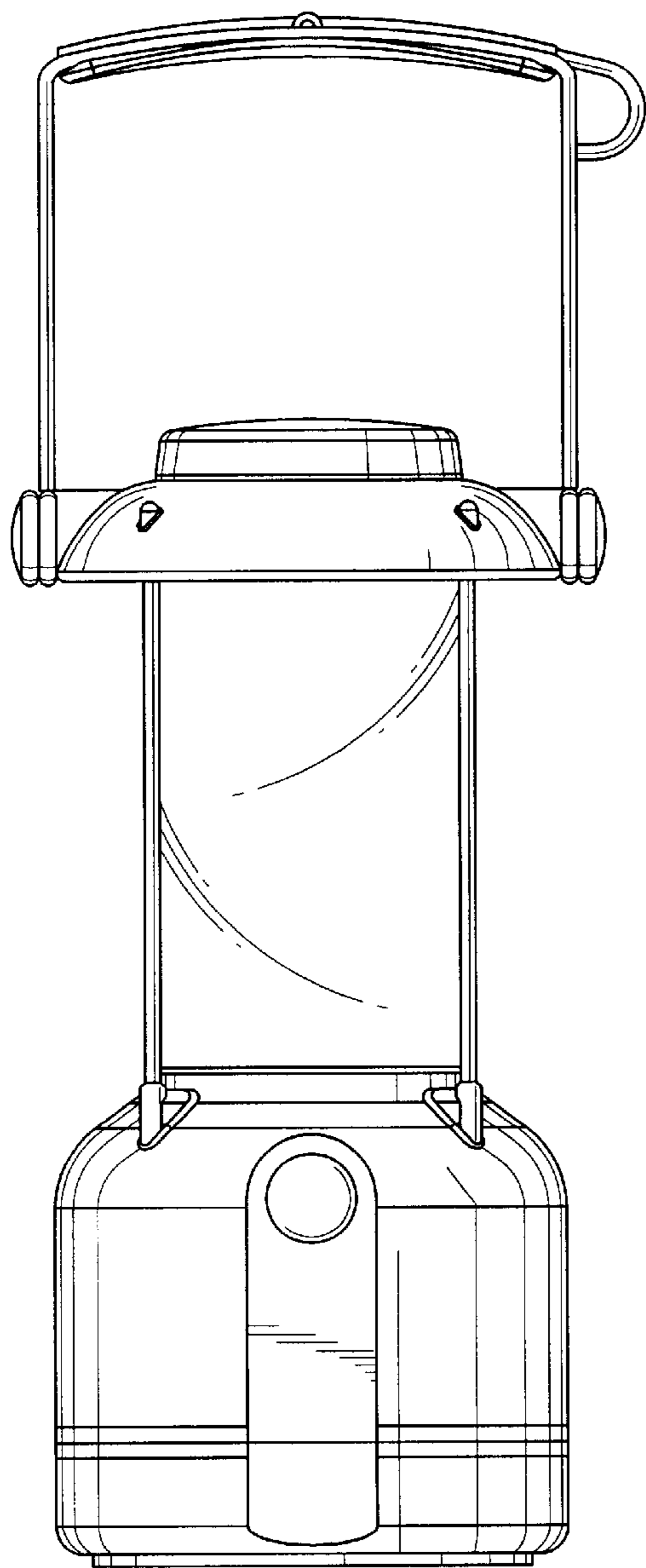
### [56] References Cited

#### U.S. PATENT DOCUMENTS

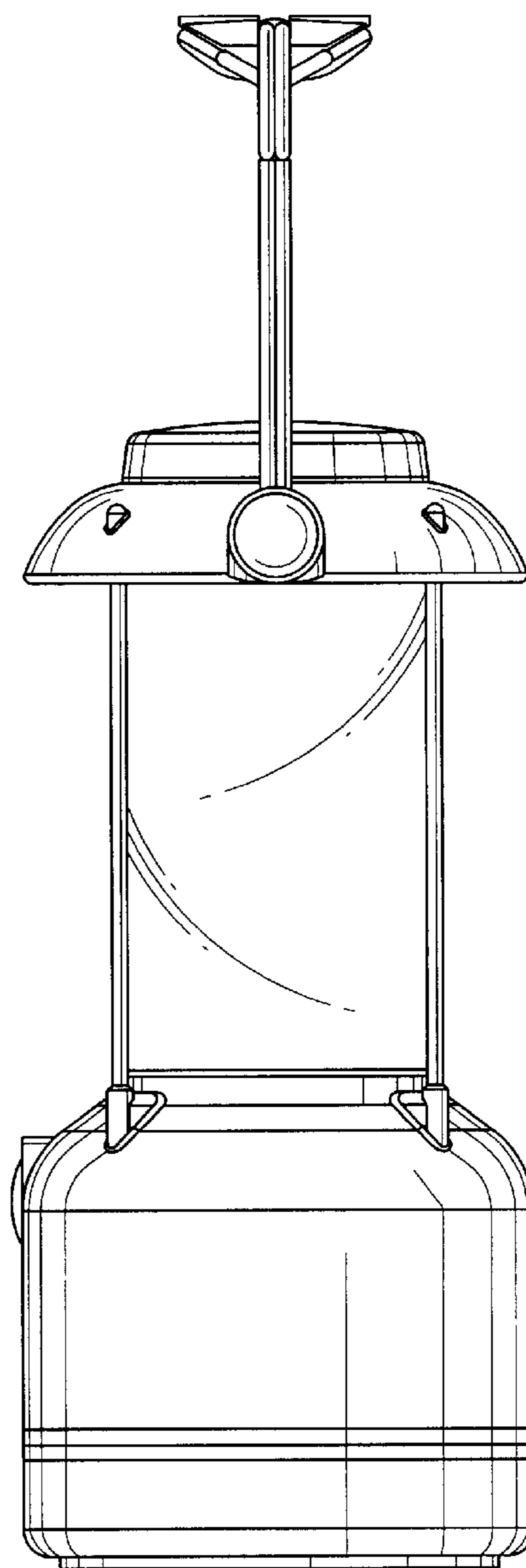
D. 351,918 10/1994 Poon ..... D26/42  
D. 353,903 12/1994 Yuen ..... D26/42  
D. 382,358 8/1997 Poon ..... D26/42

**1 Claim, 3 Drawing Sheets**

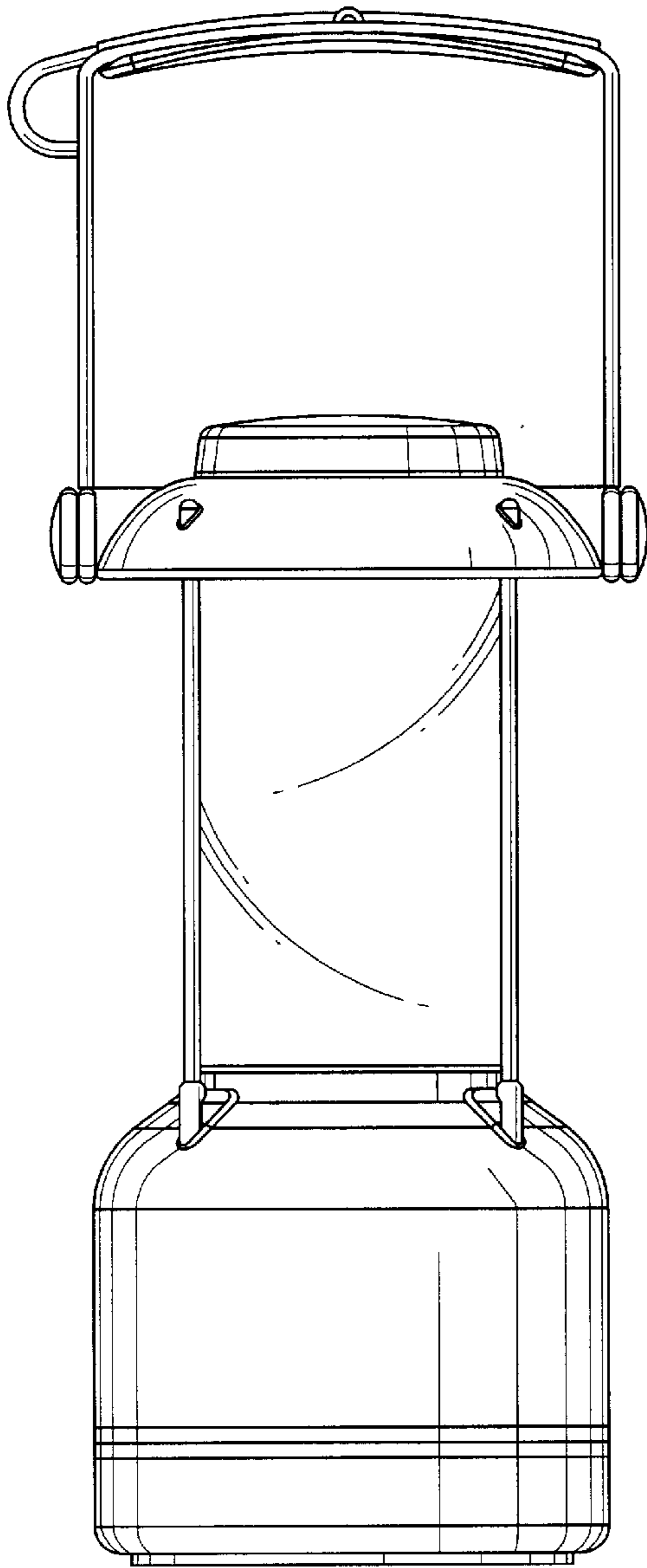




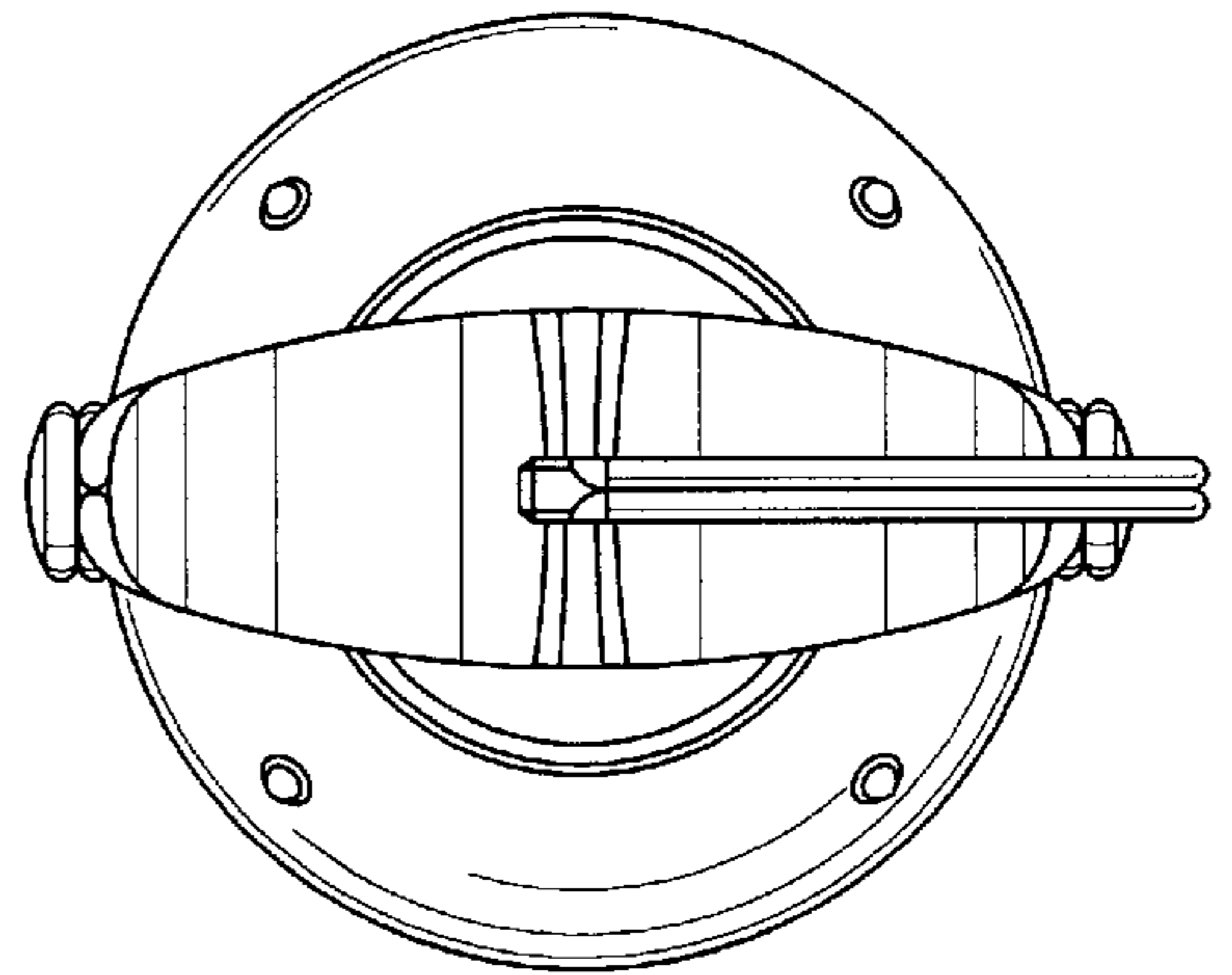
*FIG. 1*



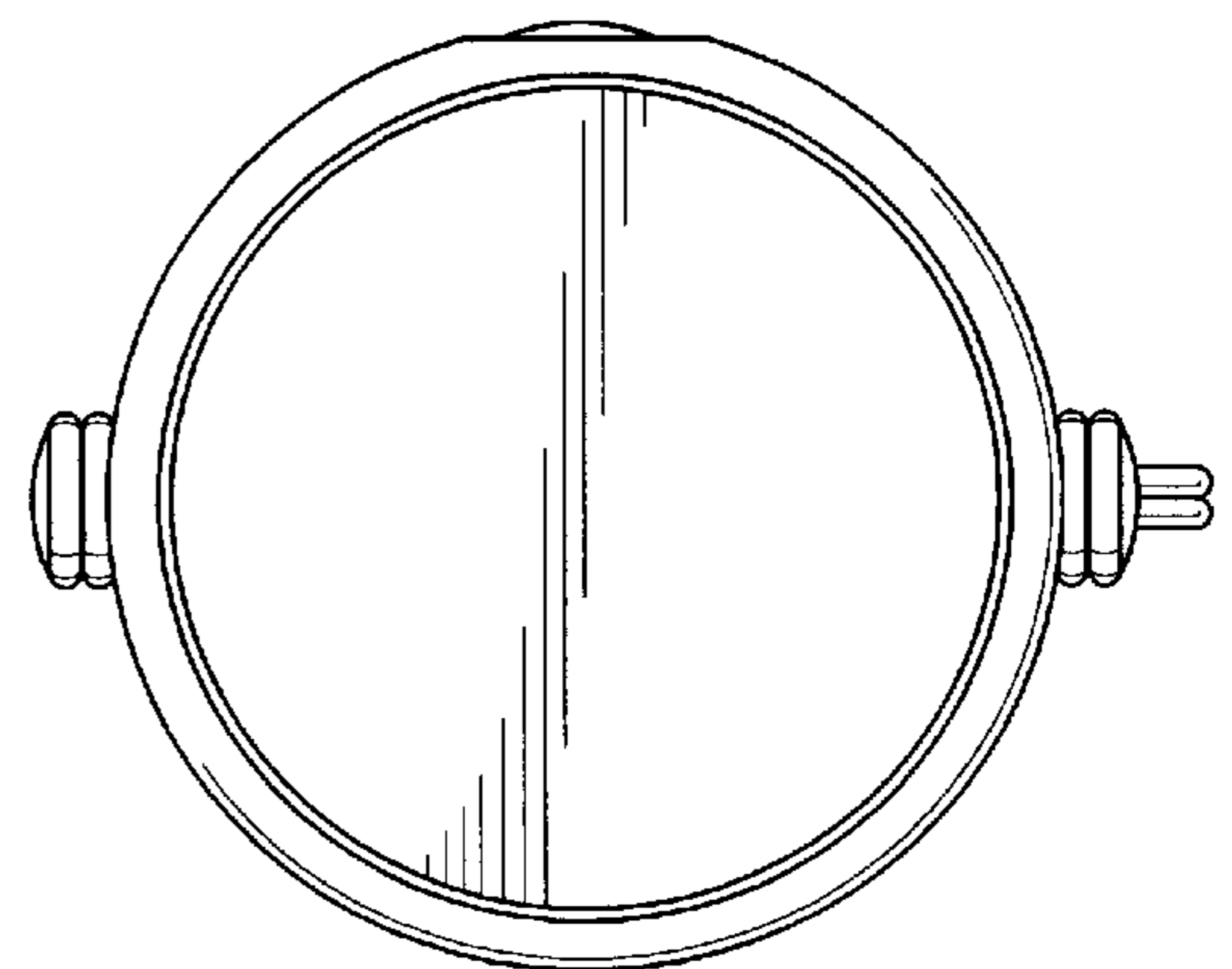
*FIG. 2*



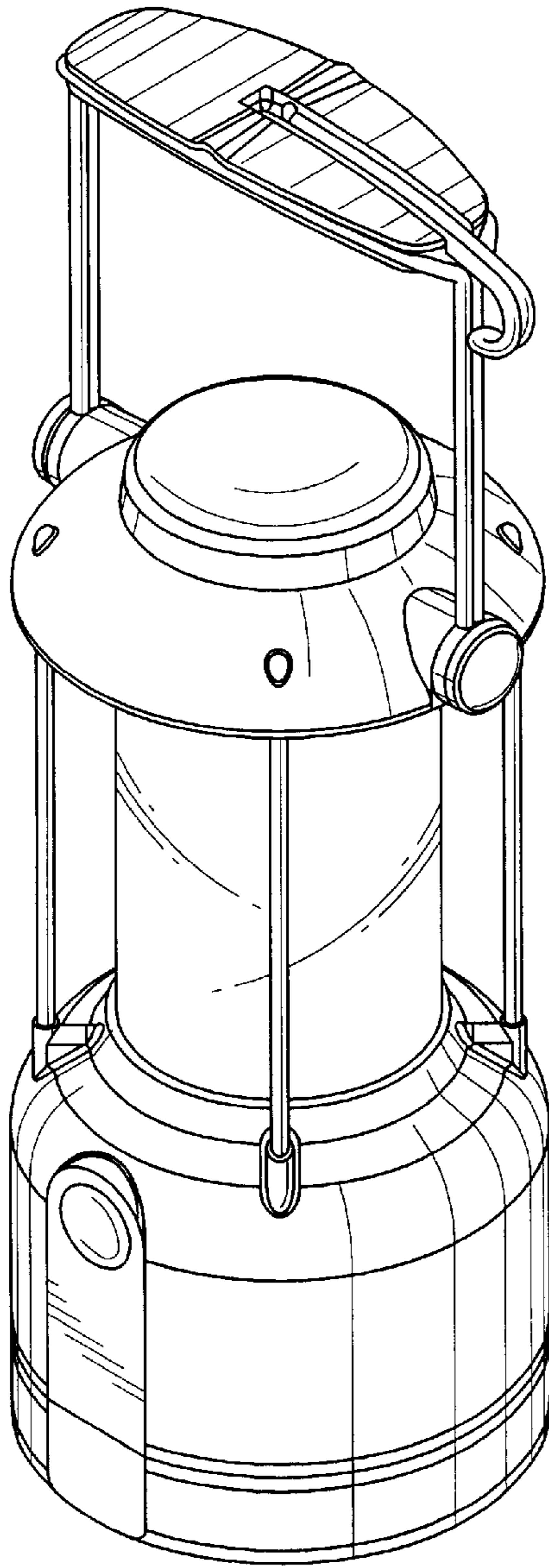
*FIG. 3*



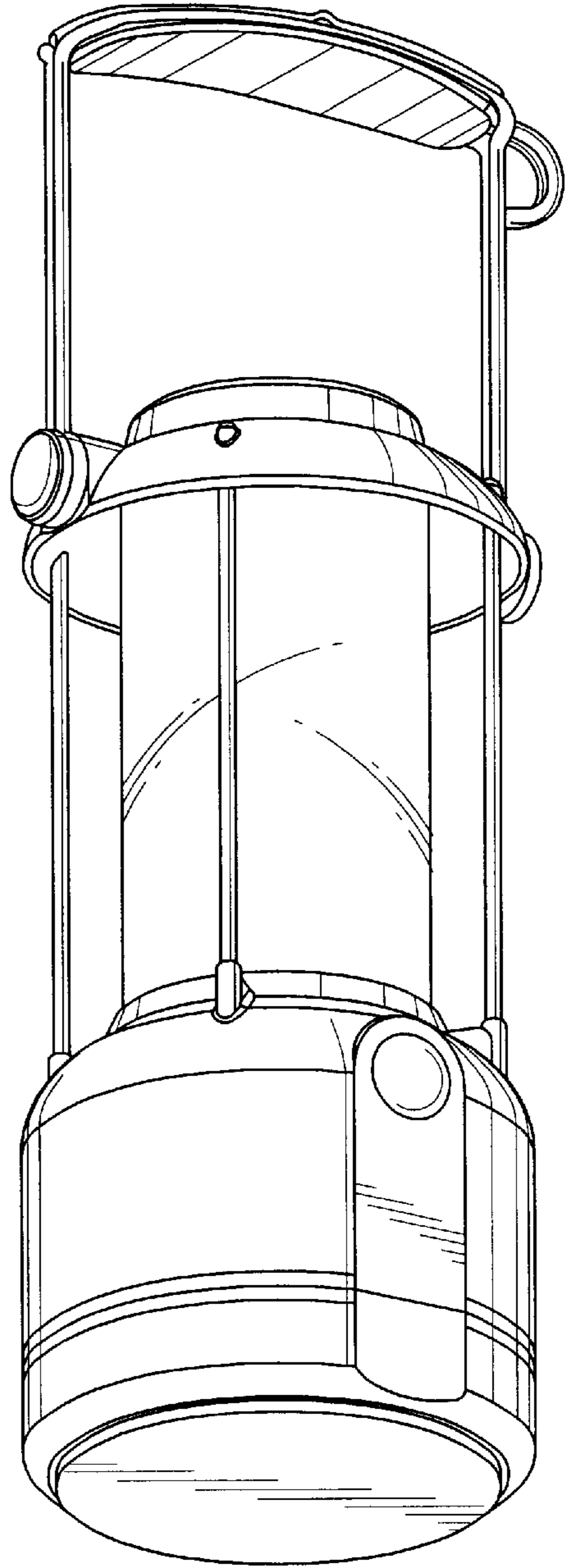
*FIG. 4*



*FIG. 5*



*FIG. 6*



*FIG. 7*