



US00D424724S

United States Patent [19]

Hussaini et al.

[11] Patent Number: Des. 424,724

[45] Date of Patent: ** May 9, 2000

[54] LIGHT

[75] Inventors: Saied Hussaini; Marc Iacovelli, both of Miami, Fla.

[73] Assignee: Rally Manufacturing, Inc., Miami, Fla.

[**] Term: 14 Years

[21] Appl. No.: 29/107,353

[22] Filed: Jul. 7, 1999

[51] LOC (7) Cl. 26-06

[52] U.S. Cl. D26/28

[58] Field of Search D26/28-36; 362/72, 362/157, 158, 183-208

[56] **References Cited**

U.S. PATENT DOCUMENTS

- D. 364,240 11/1995 Huang D26/28
- D. 374,491 10/1996 Huang D26/28
- D. 376,438 12/1996 Huang D26/28

- D. 390,979 2/1998 Yamamoto D26/28
- D. 415,297 10/1999 Chung D26/28

Primary Examiner—Marcus A. Jackson
Attorney, Agent, or Firm—Liniak, Berenato Longacre & White

[57] **CLAIM**

The ornamental design for a light, as shown and described

DESCRIPTION

FIG. 1 is a front view of a light showing my new design.
 FIG. 2 is a rear view of the light shown in FIG. 1.
 FIG. 3 is a right side view of the light shown in FIG. 1, with the broken line showing for illustrative purposes only and forming no part of the claimed design;
 FIG. 4 is a left side view of the light shown in FIG. 1.
 FIG. 5 is a top view of the light shown in FIG. 1.
 FIG. 6 is a bottom view of the light shown in FIG. 1; and,
 FIG. 7 is a top and left side perspective view of the light shown in FIG. 1.

1 Claim, 4 Drawing Sheets

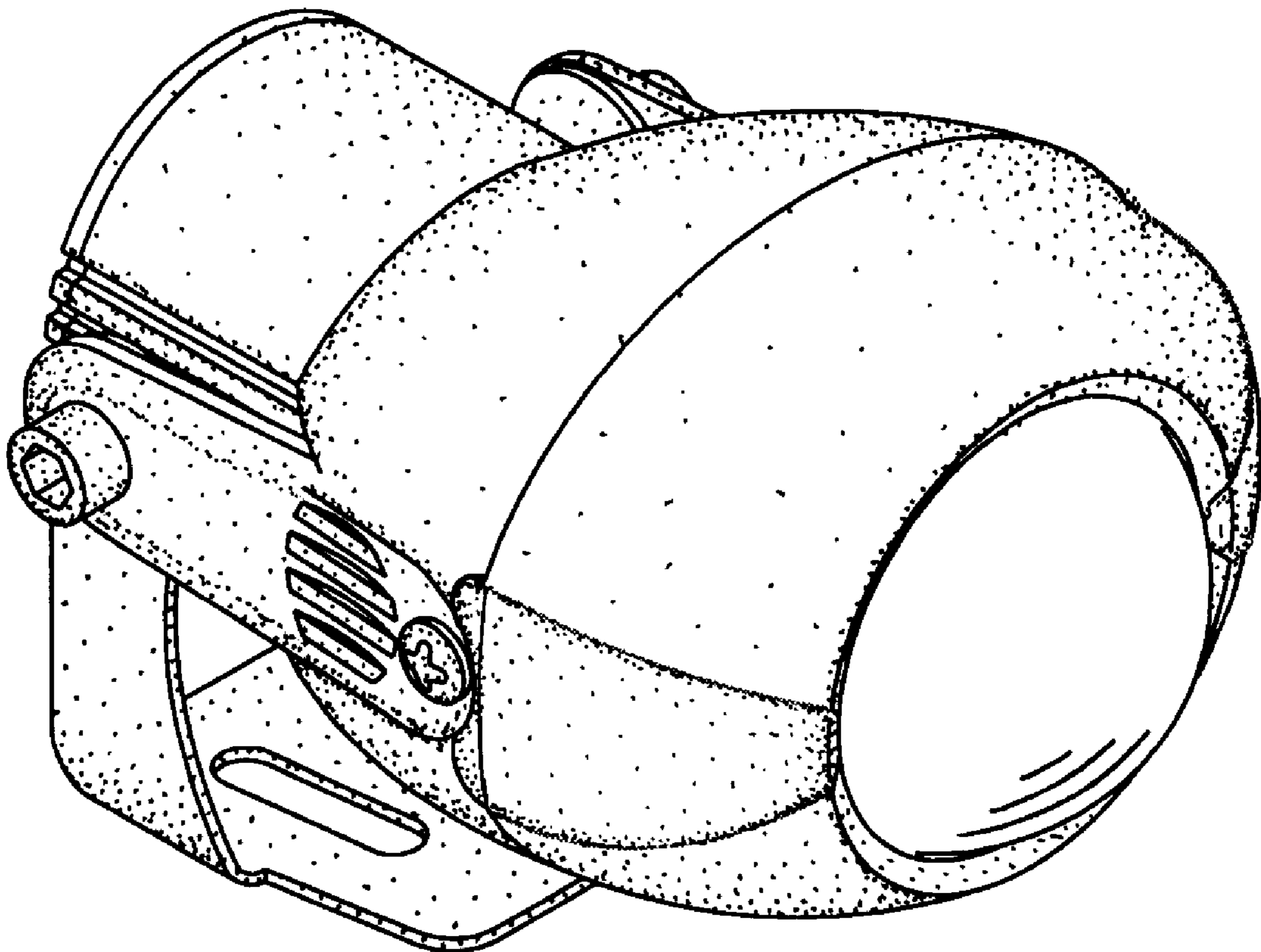


Fig. 1

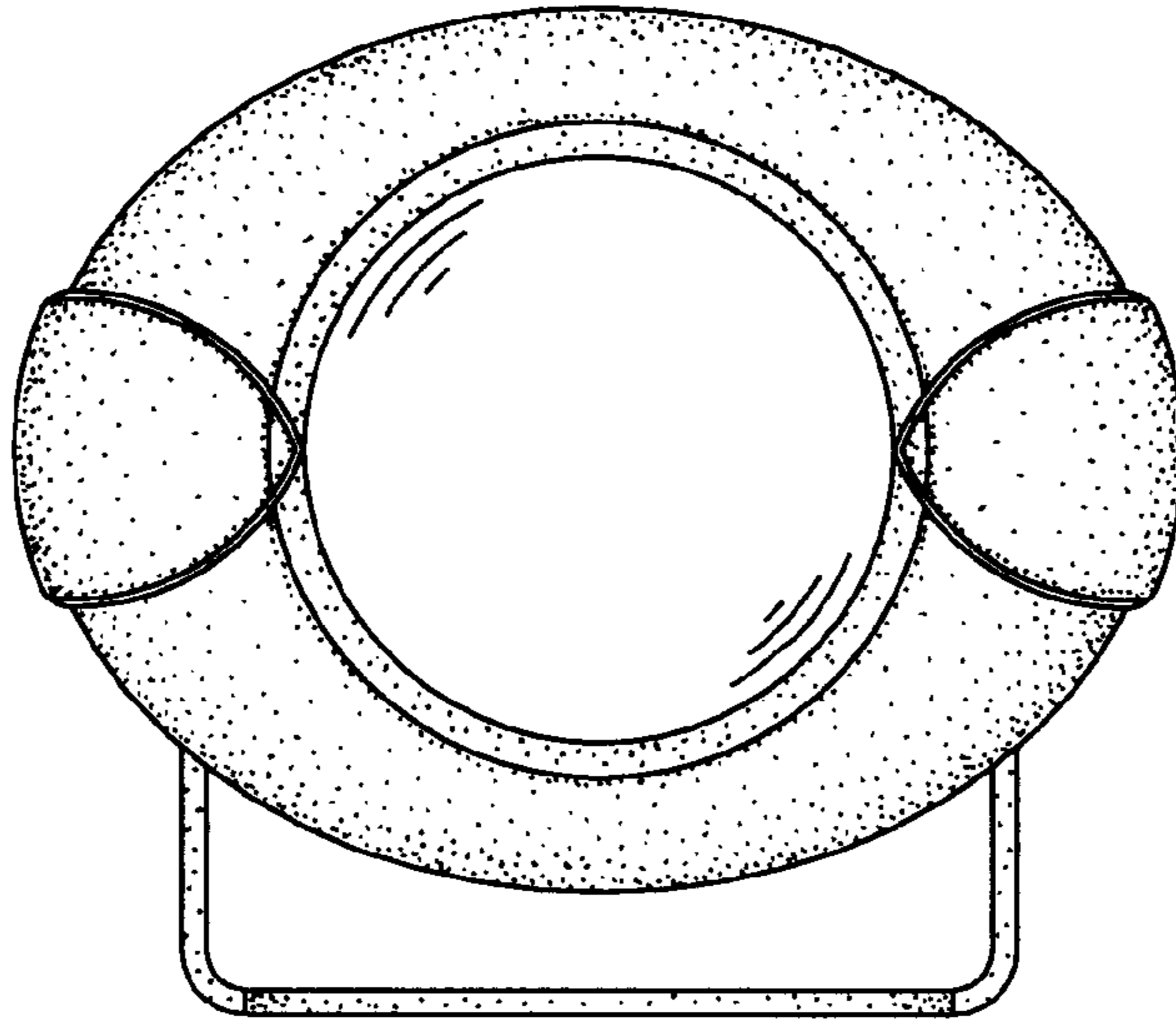


Fig. 2

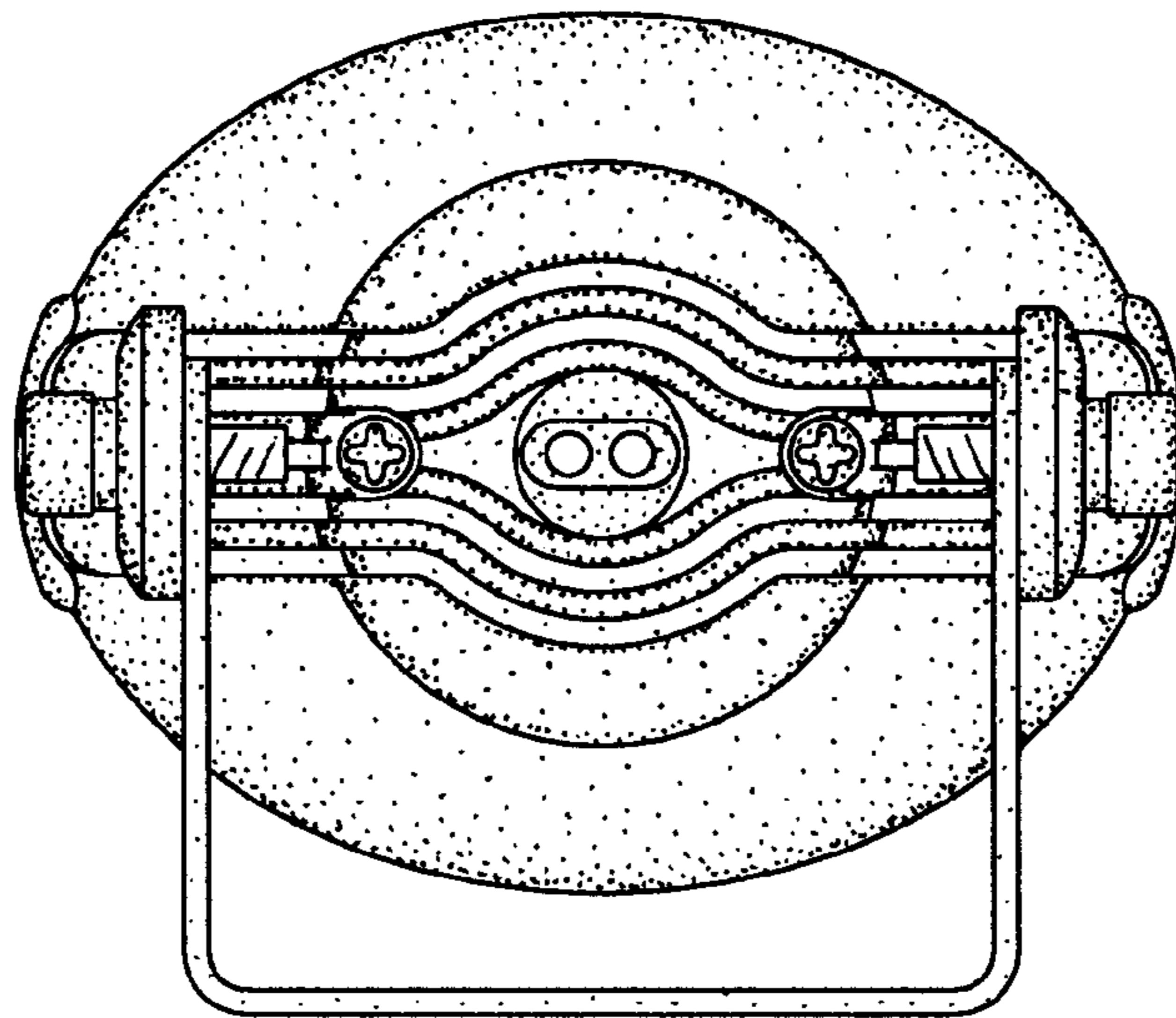


Fig. 3

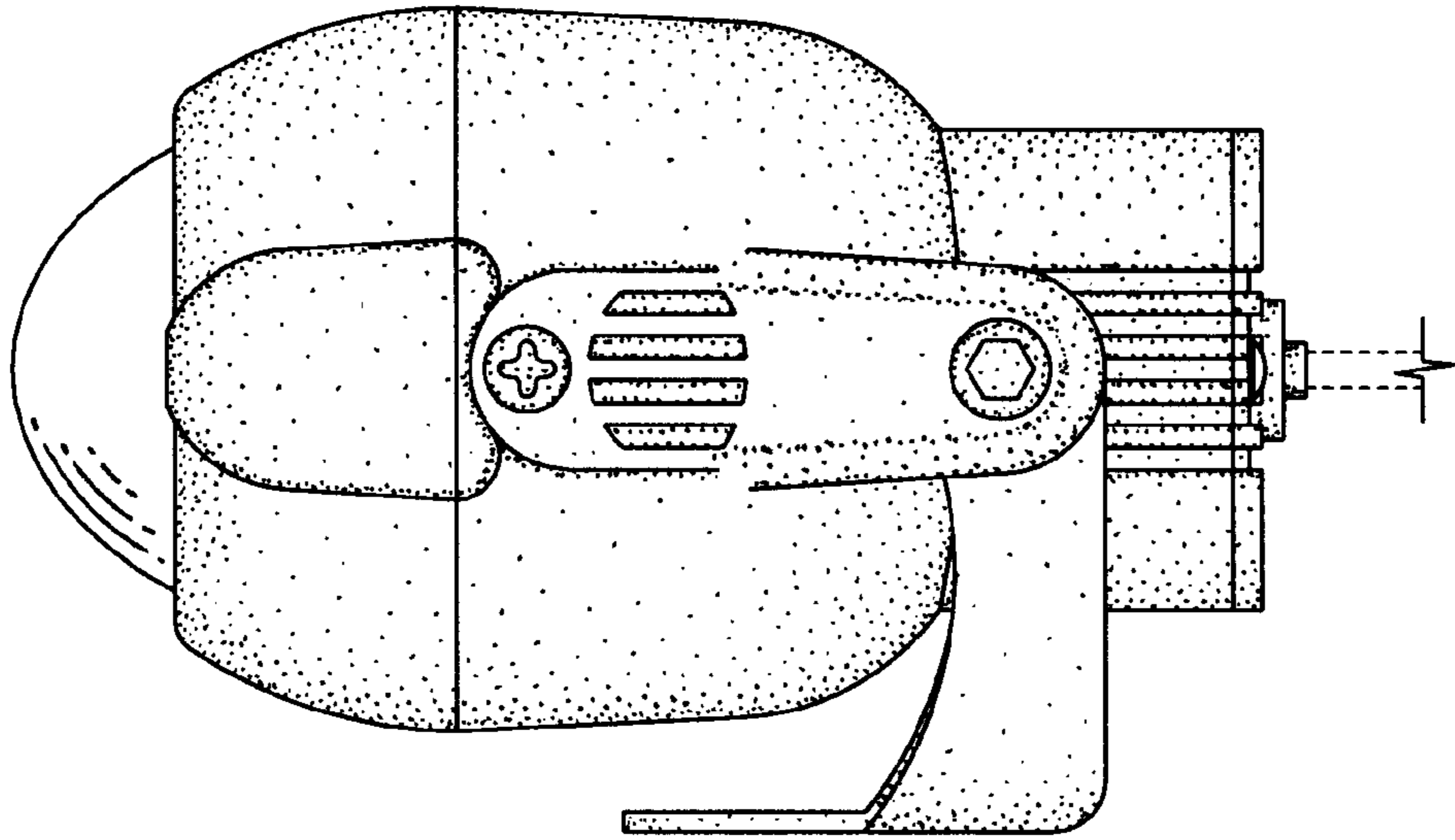


Fig. 4

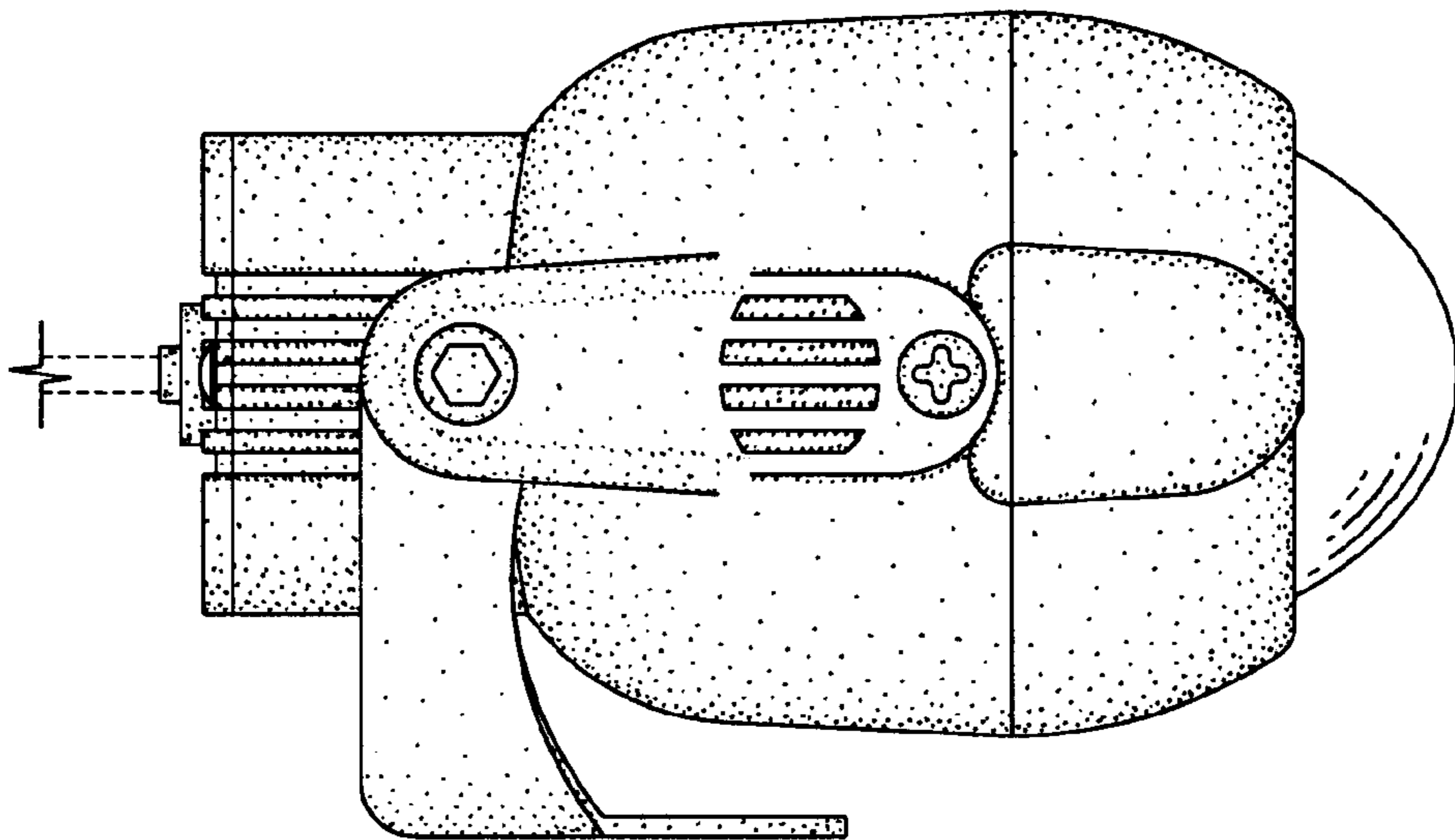


Fig. 5

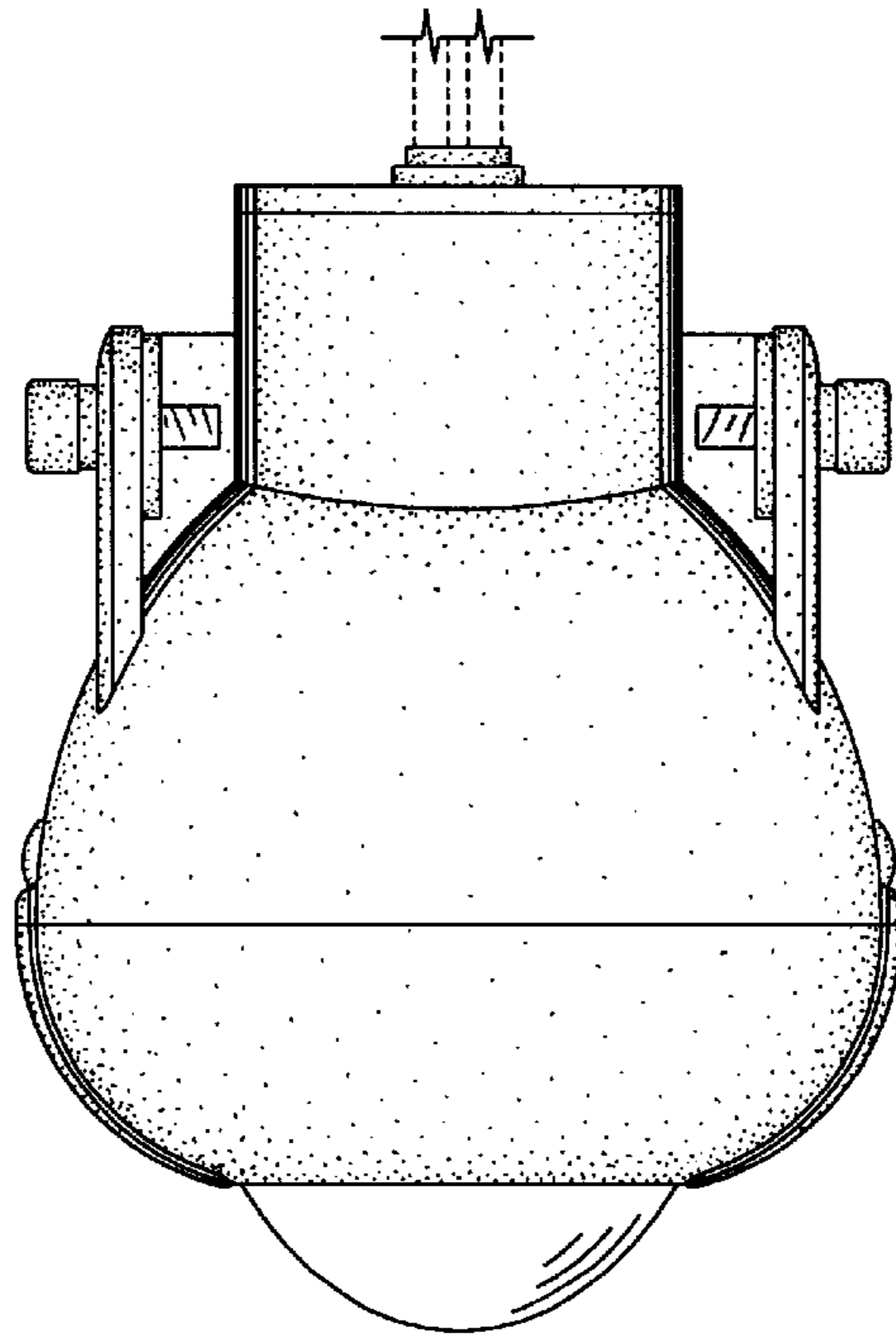


Fig. 6

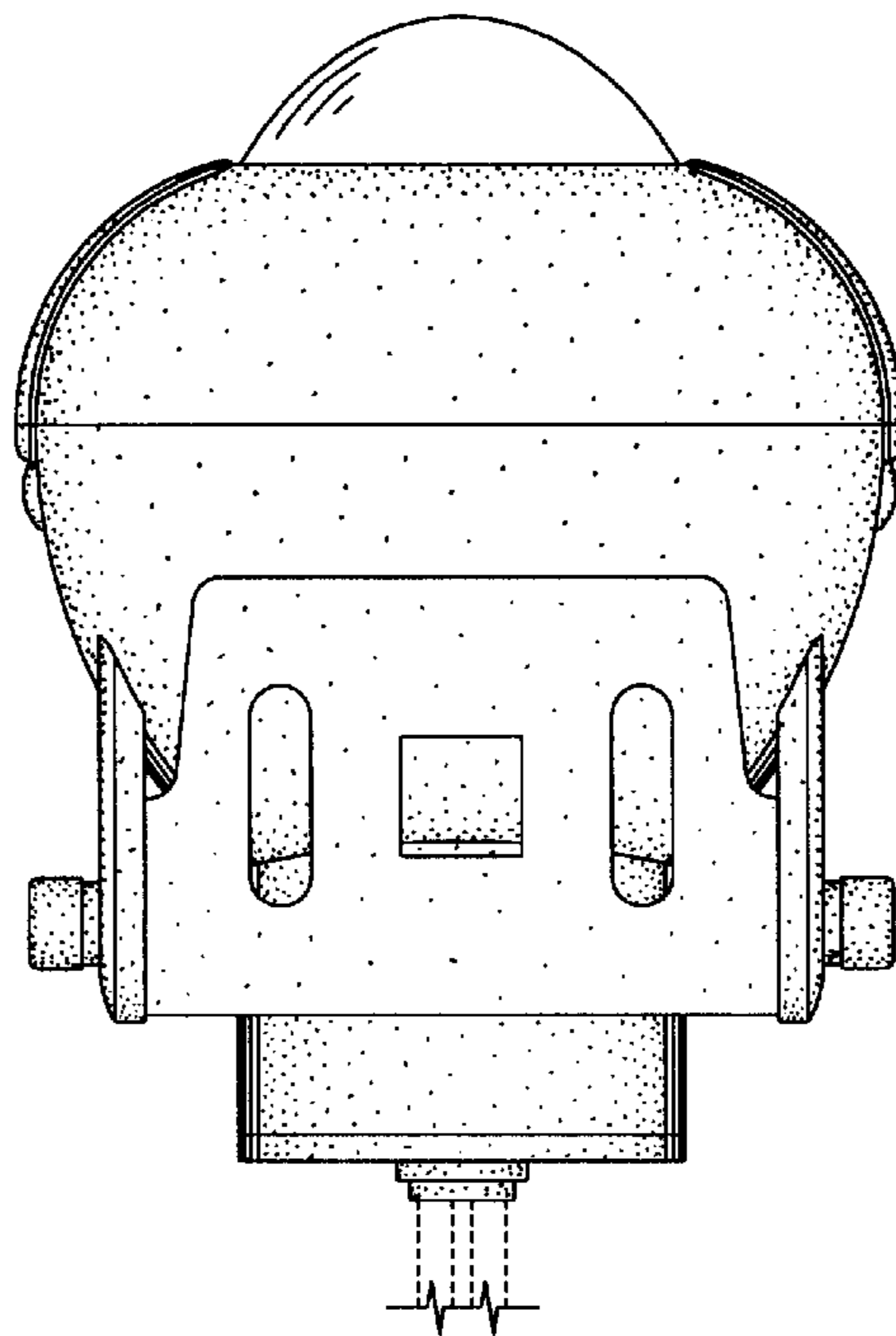


Fig. 7

