



US00D424721S

United States Patent [19]
Garrity et al.

[11] **Patent Number: Des. 424,721**
[45] **Date of Patent: ** May 9, 2000**

[54] **RECHARGEABLE LIGHT AND NIGHTLIGHT**

DESCRIPTION

[75] Inventors: **Kevin S. Garrity**, Madison, Conn.;
Ronald Emmerling, Glen Ridge, N.J.

[73] Assignee: **Garrity Industries, Inc.**, Madison, Conn.

[**] Term: **14 Years**

[21] Appl. No.: **29/092,801**

[22] Filed: **Aug. 27, 1998**

[51] **LOC (7) Cl.** **26-05**

[52] **U.S. Cl.** **D26/26**

[58] **Field of Search** D26/26; 362/183,
362/226

[56] **References Cited**

U.S. PATENT DOCUMENTS

4,740,872 4/1988 Chou 362/183

OTHER PUBLICATIONS

Hong Kong Enterprise, p. 419, Power Failure Night Light #2232DA (bottom right corner), Feb 1996.

Primary Examiner—Freda Nunn

Attorney, Agent, or Firm—Fitzpatrick, Cella, Harper & Scinto

[57] **CLAIM**

The ornamental design for a rechargeable light and night-light, as shown and described.

FIG. 1 is a front elevational view of a rechargeable light and nightlight showing my new design;
FIG. 2 is a top plan view thereof;
FIG. 3 is a rear elevational view thereof, with a movable plug being in a first position relatively flush with the rechargeable light and nightlight's body;
FIG. 4 is a bottom plan view thereof;
FIG. 5 is a side elevational view of the left side of the rechargeable light and nightlight design;
FIG. 6 is a side elevational view of the right side of the rechargeable light and nightlight design;
FIG. 7 is a perspective view of the rechargeable light and nightlight design, showing the front, top and left sides of the design;
FIG. 8 is a perspective view of the rechargeable light and nightlight design, showing the rear, top and left sides of the design;
FIG. 9 is a top plan view of a second configuration of design in which the movable plug is in a second position protruding from the back surface of the rechargeable light and nightlight;
FIG. 10 is a rear elevational view of the second configuration of the rechargeable light and nightlight design;
FIG. 11 is a side elevational view of the right side of the rechargeable light and nightlight in the second configuration; and,
FIG. 12 is a perspective view of the rechargeable light and nightlight in the second configuration, showing the rear, top and left sides of the design.

1 Claim, 7 Drawing Sheets

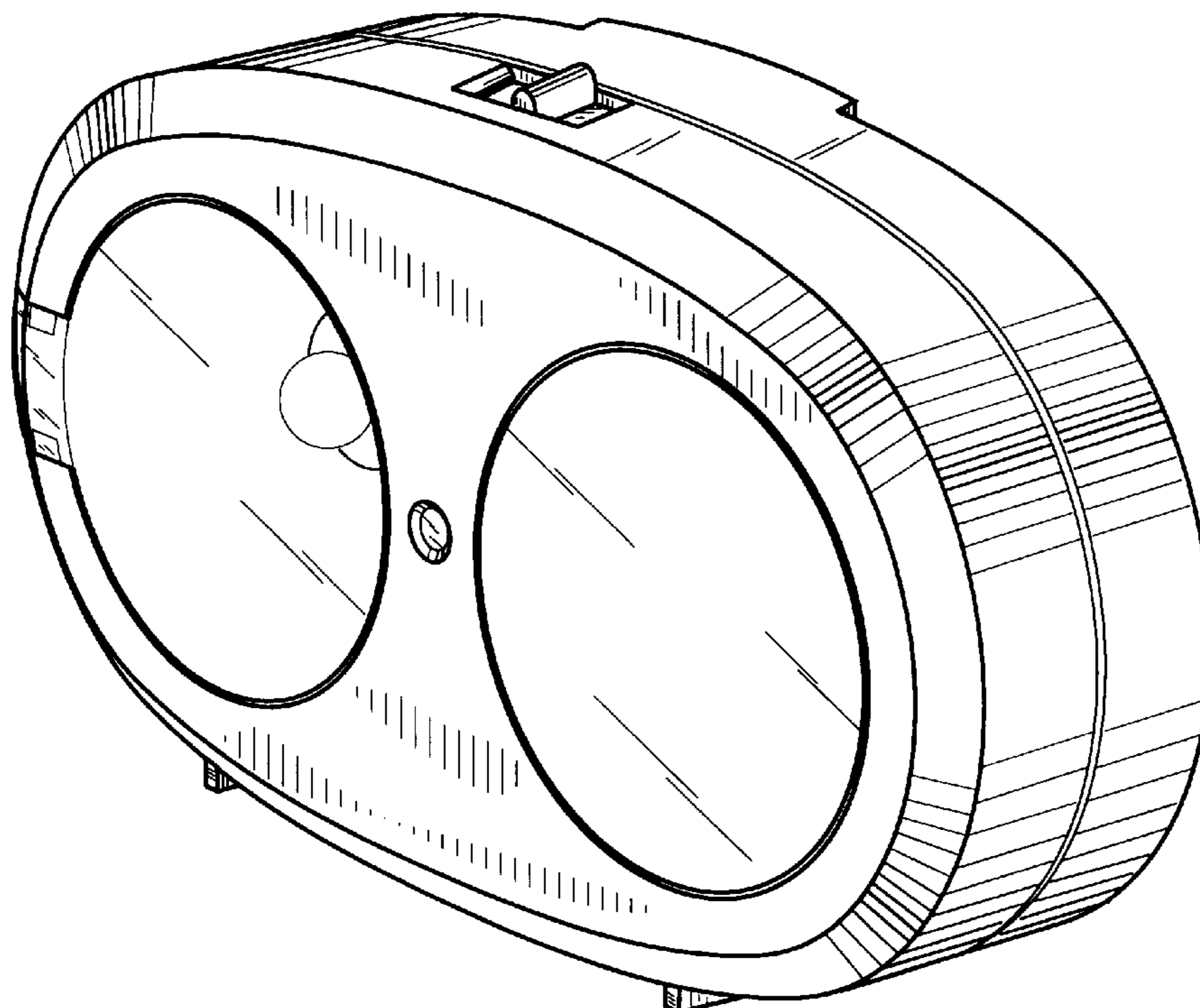


FIG. 1

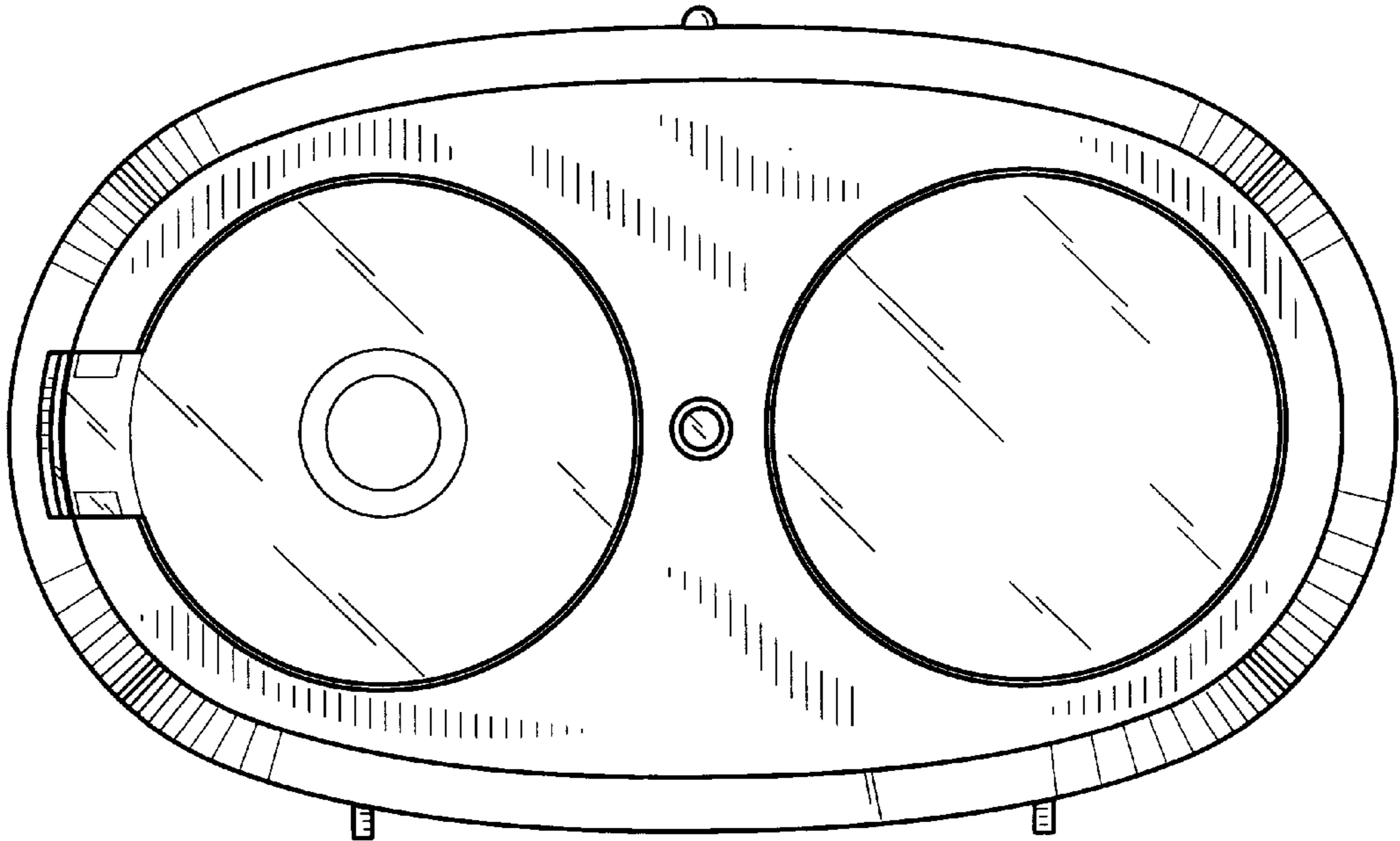


FIG. 2

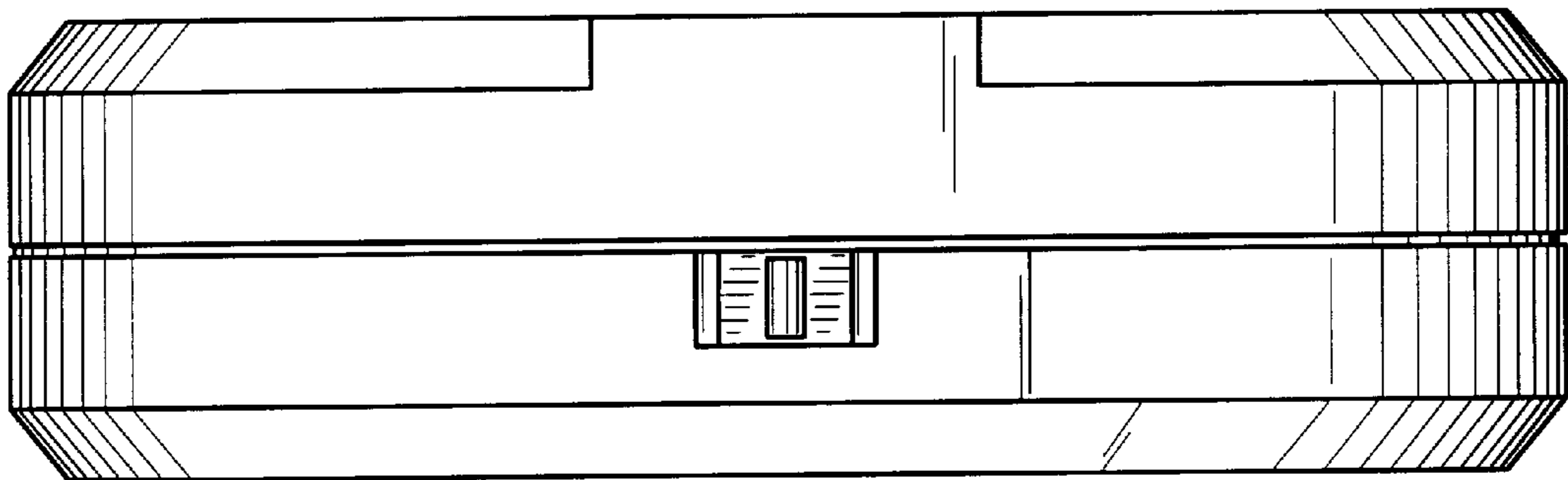


FIG. 3

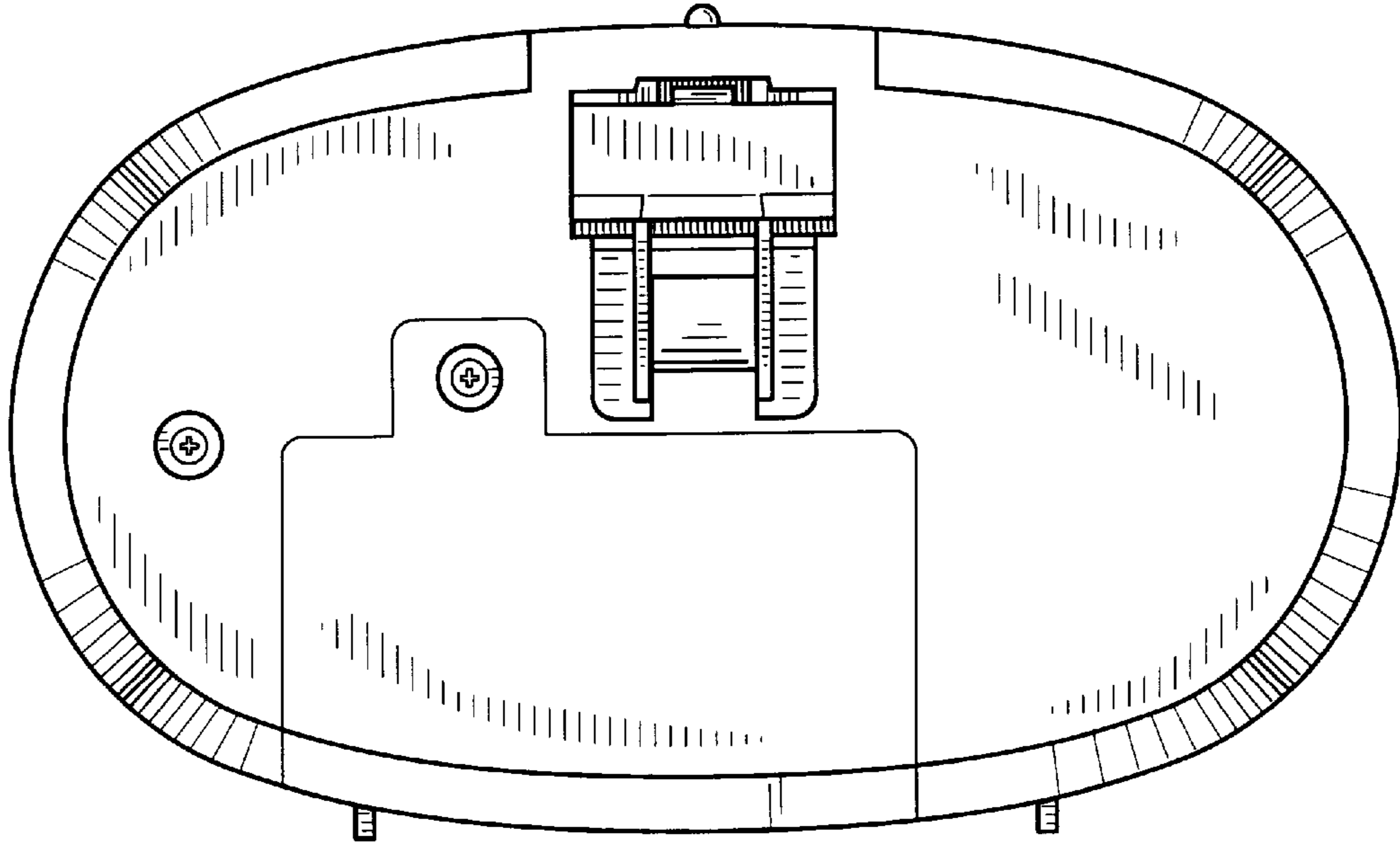


FIG. 4

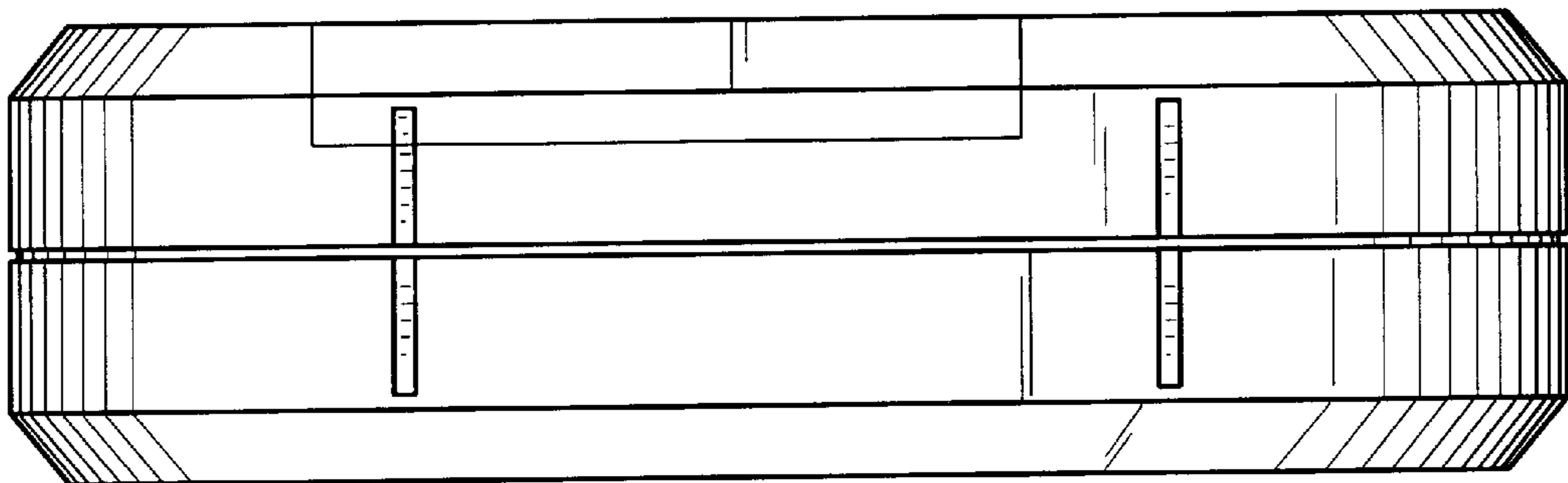


FIG. 5

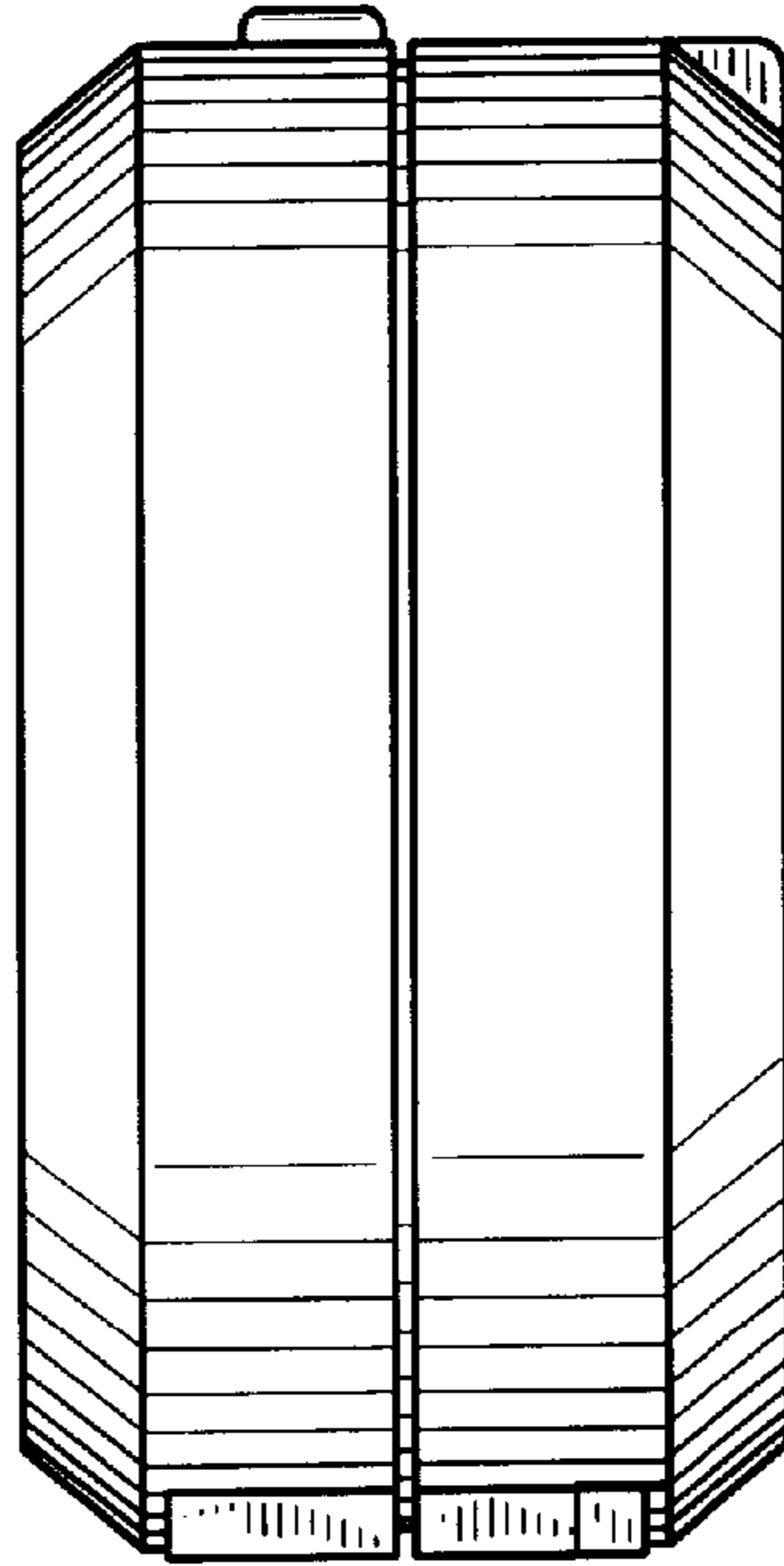


FIG. 6

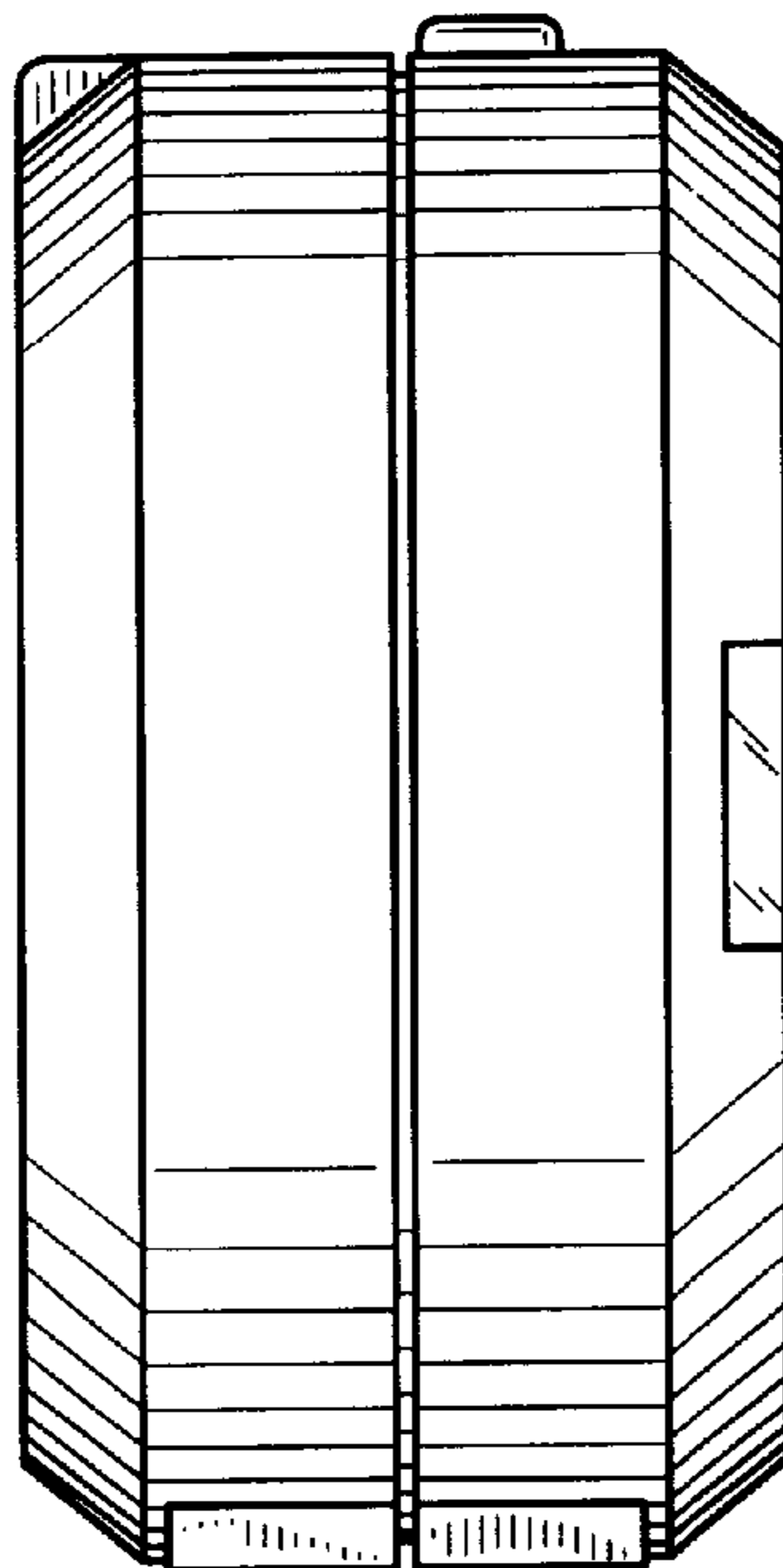


FIG. 7

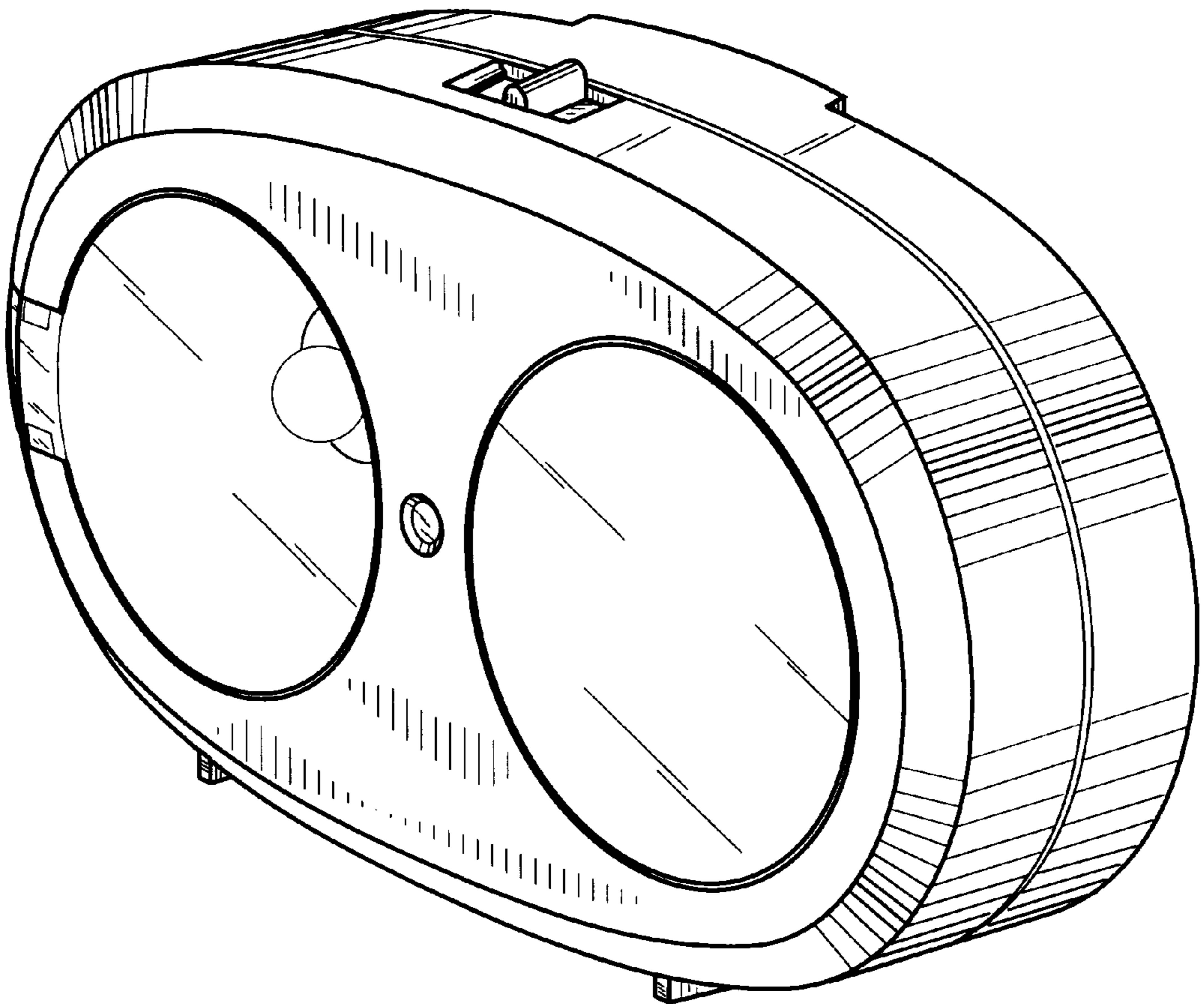


FIG. 8

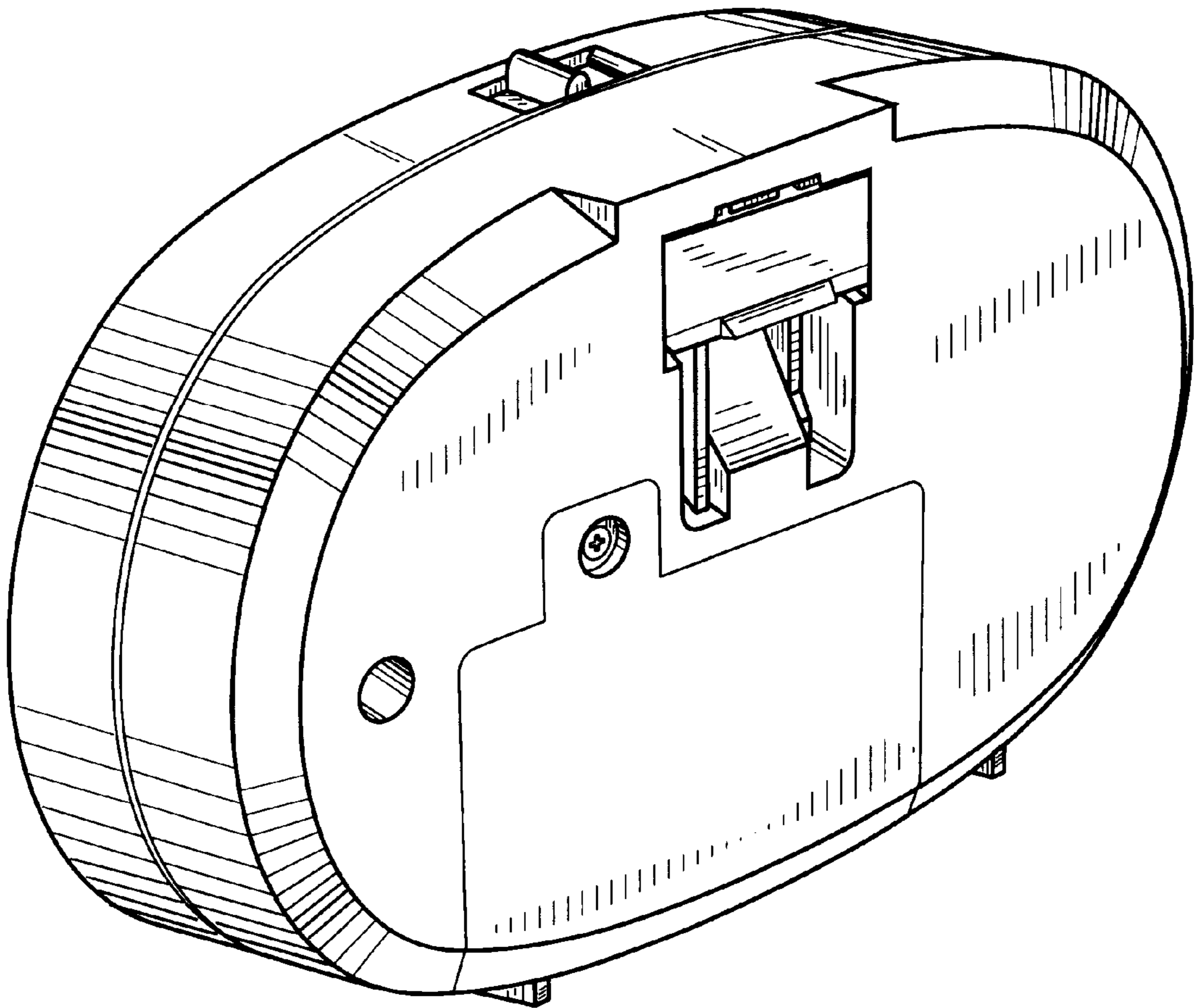


FIG. 9

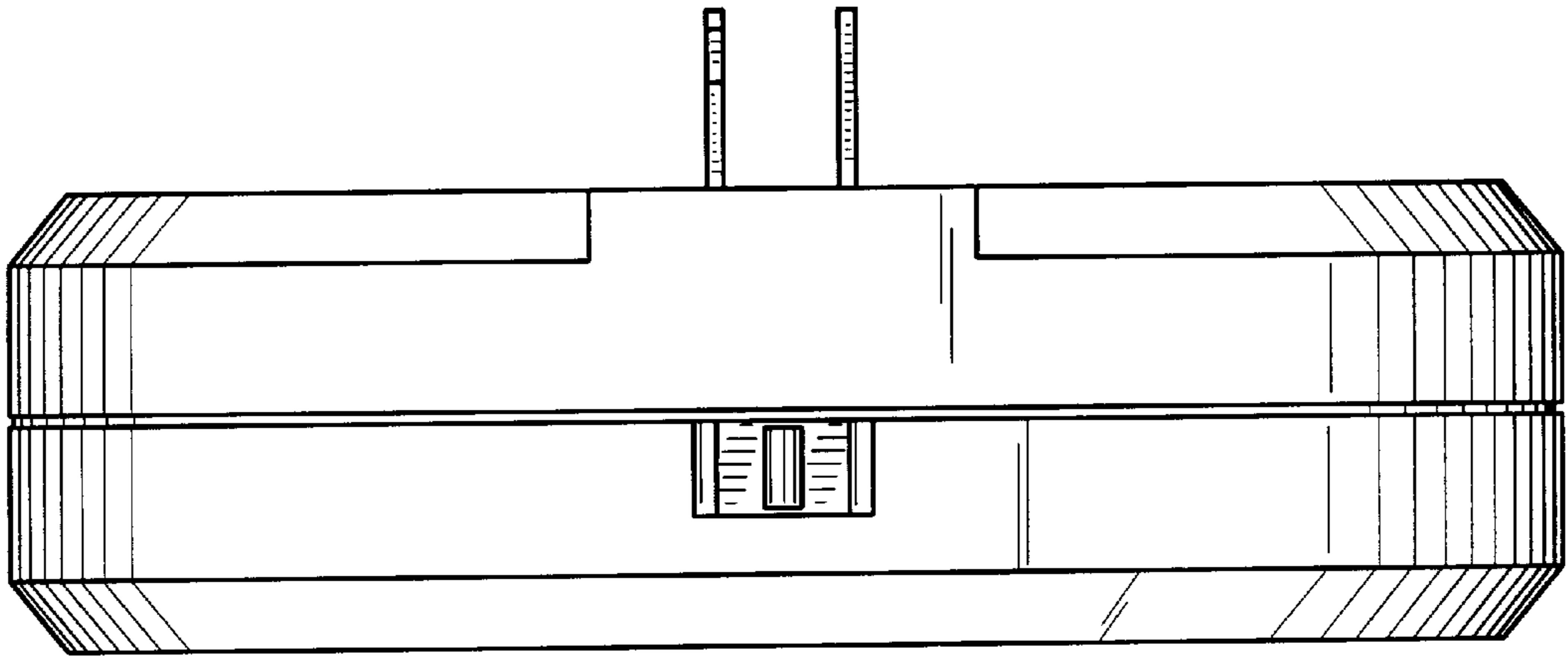


FIG. 10

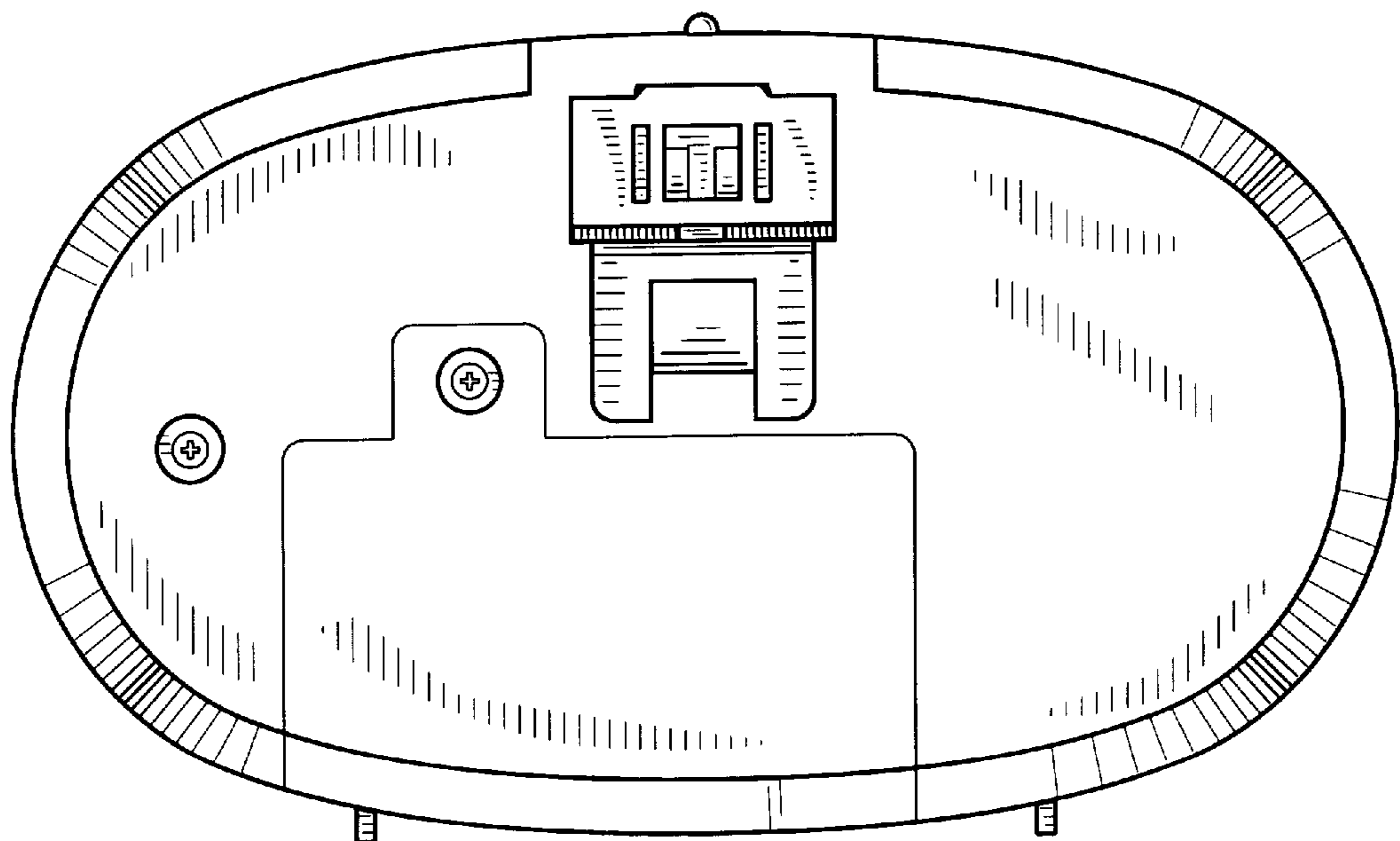


FIG. 11

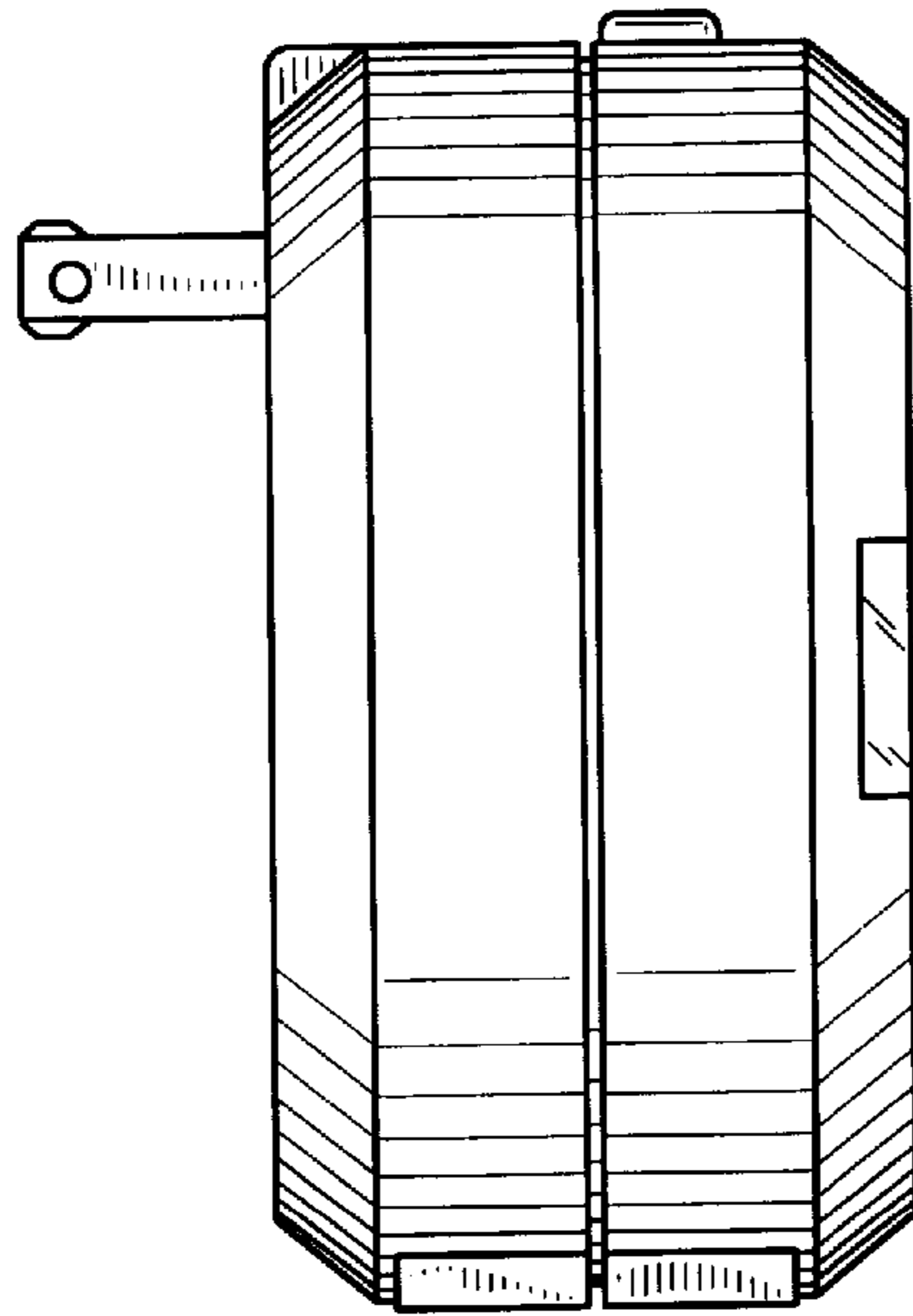


FIG. 12

