



US00D424716S

United States Patent [19] Orlandi

[11] Patent Number: Des. 424,716

[45] Date of Patent: ** May 9, 2000

[54] CANDLE AND ARRAY

[76] Inventor: Janice Orlandi, 106 Perry St., New York, N.Y. 10014

[**] Term: 14 Years

[21] Appl. No.: 29/110,143

[22] Filed: Aug. 31, 1999

2,324,723	7/1943	Powers et al. .	
2,541,725	2/1951	Sundell	431/288
3,124,247	3/1964	Churchill .	
3,388,960	6/1968	Cangialosi .	
3,438,363	4/1969	Milbrandt .	
3,637,335	1/1972	Uhl .	
3,744,956	7/1973	Hess .	
4,555,231	11/1985	Kusta .	
4,826,428	5/1989	Lam .	
5,405,135	4/1995	Embro .	
5,660,281	8/1997	James .	
5,660,387	8/1997	Stokes .	

Related U.S. Application Data

[62] Division of application No. 29/096,992, Nov. 25, 1998.

[51] LOC (7) Cl. 26-04

[52] U.S. Cl. D26/6

[58] Field of Search D26/6, 7, 9, 10;
431/288-9, 125-6; D21/478-9; 273/157 R

Primary Examiner—Robin V. Taylor
Attorney, Agent, or Firm—Whitman Breed Abbott & Morgan LLC; Gregor N. Neff

[57] CLAIM

The ornamental design for a candle and array, as shown and described.

[56] References Cited

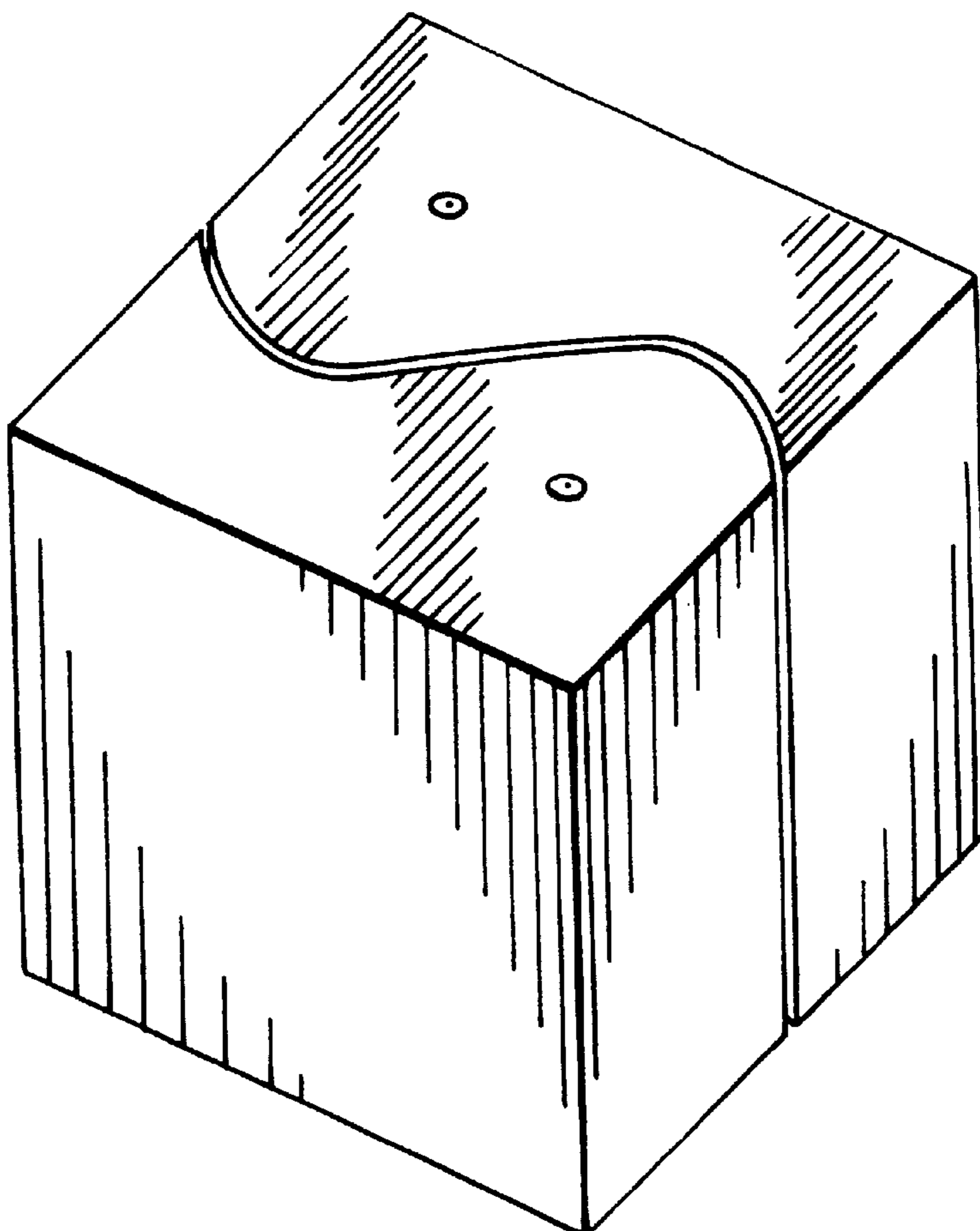
U.S. PATENT DOCUMENTS

D. 236,234	8/1975	Hansen .	
D. 257,641	12/1980	Taylor	D26/6
D. 353,850	12/1994	Hrsel et al. .	
D. 370,283	5/1996	Simon	D26/6
735,724	8/1903	DeWoody .	
2,115,962	5/1938	Orme .	
2,310,019	2/1943	Hamblet .	

DESCRIPTION

FIG. 1 is a perspective view of the candle and array of the present invention, the bottom wall being unadorned; FIG. 2 is a top plan view of the FIG. 1 showing; and, FIG. 3 is a perspective view of one section of the candle and array shown separately for clarity of illustration.

1 Claim, 1 Drawing Sheet



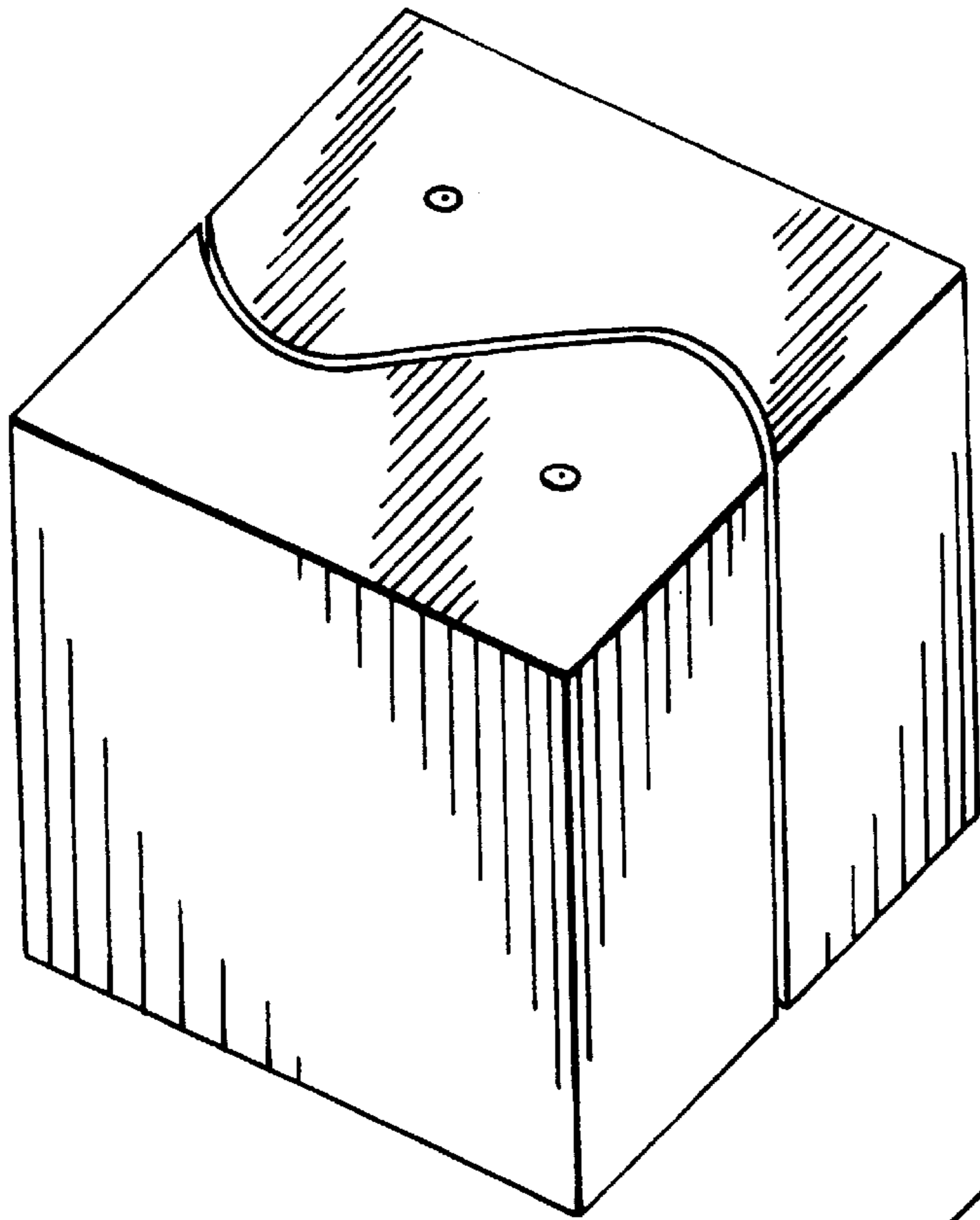


FIG. 1

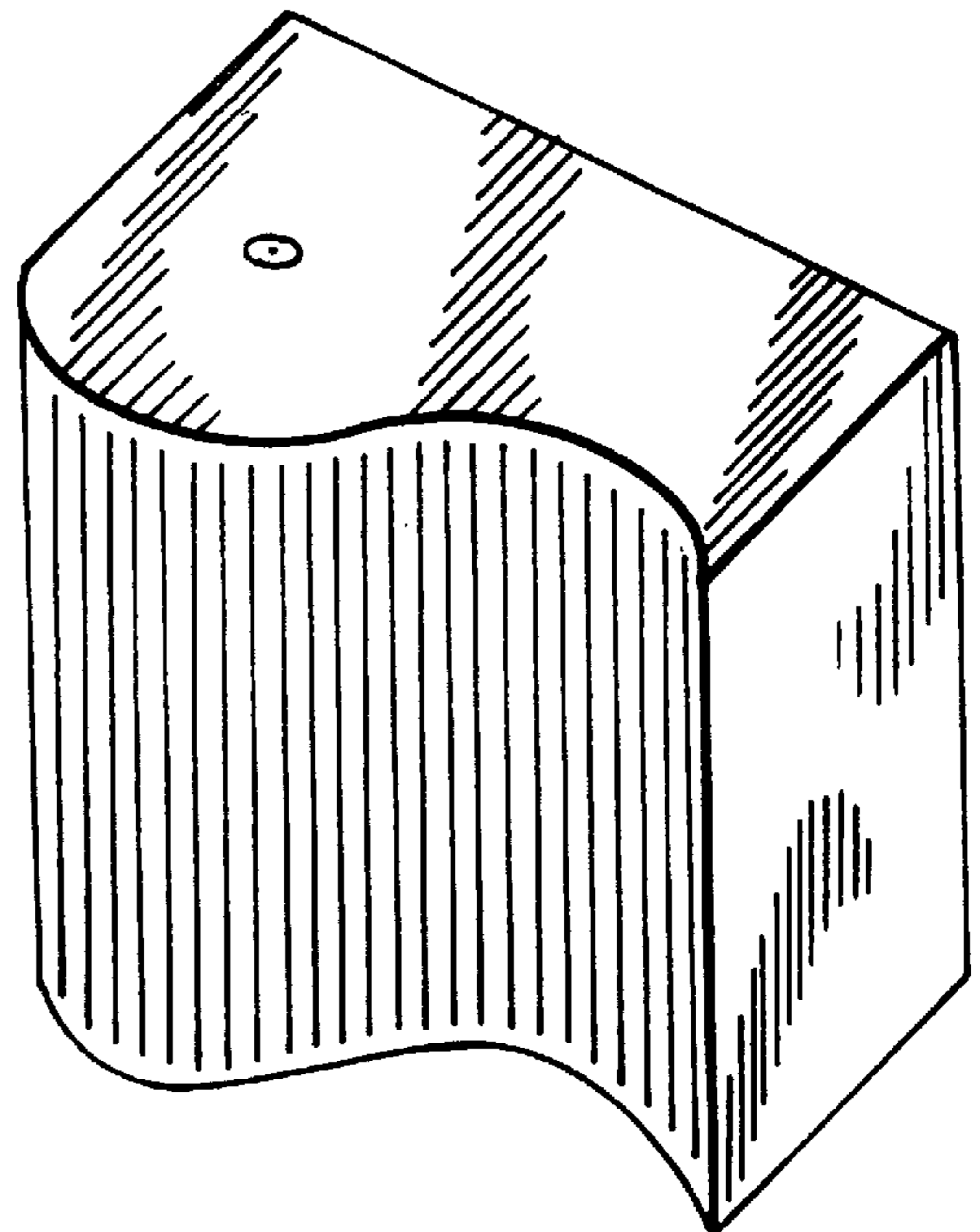


FIG. 3

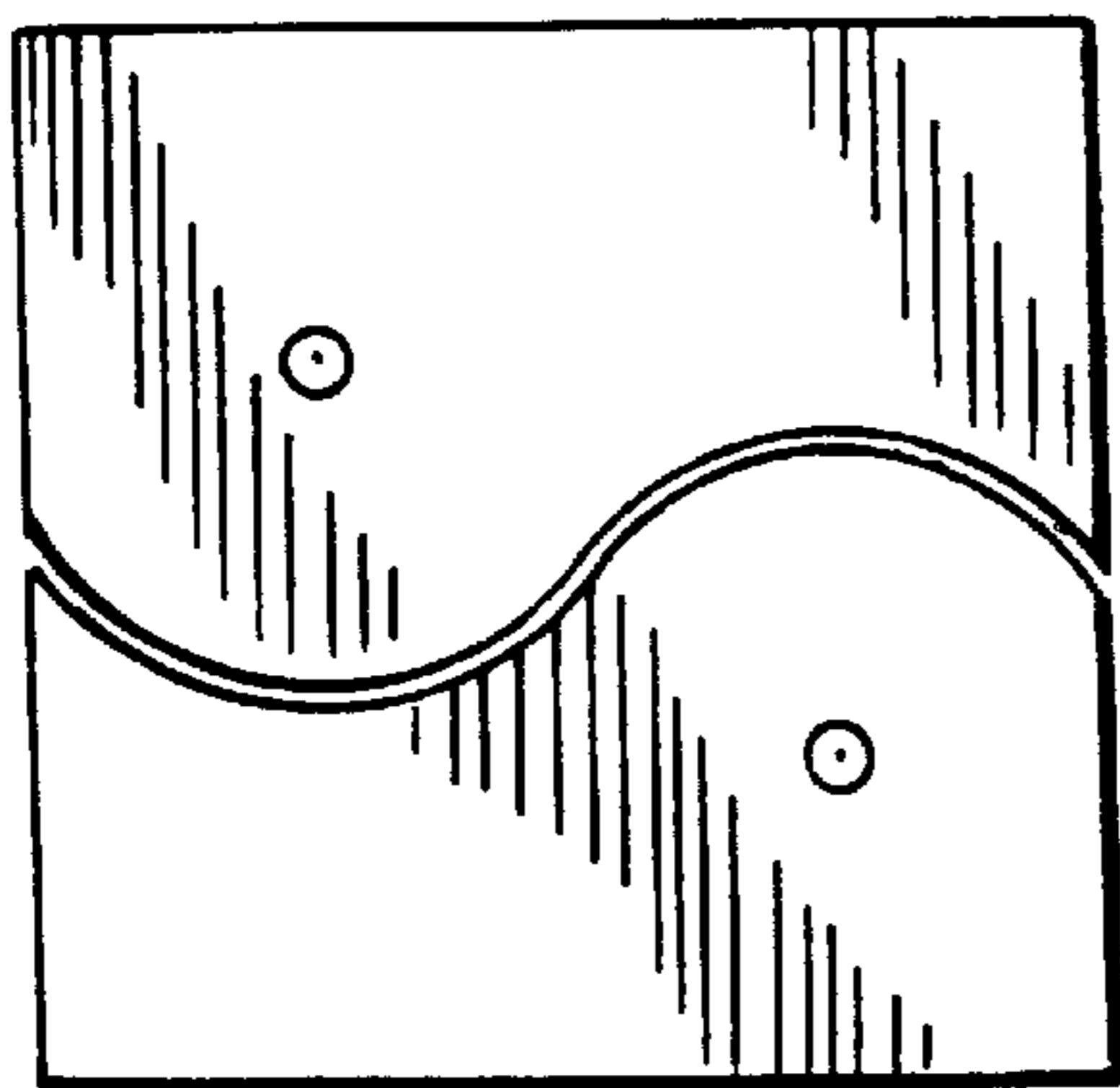


FIG. 2