



US00D424715S

United States Patent [19]
Wu

[11] **Patent Number: Des. 424,715**

[45] **Date of Patent: ** May 9, 2000**

[54] **L.E.D LAMP**

D. 352,121 11/1994 Haraden et al. D26/2
D. 388,726 1/1998 Wu D26/2

[75] Inventor: **Chen H. Wu**, Los Altos Hills, Calif.

Primary Examiner—Marcus A. Jackson
Attorney, Agent, or Firm—Limbach & Limbach L.L.P.

[73] Assignee: **Leotek Electronics Corporation**,
Taiwan

[57] **CLAIM**

[**] Term: **14 Years**

The ornamental design for a L.E.D lamp, as shown and described.

[21] Appl. No.: **29/102,485**

DESCRIPTION

[22] Filed: **Mar. 25, 1999**

[51] **LOC (7) Cl.** **26-04**

[52] **U.S. Cl.** **D26/2**

[58] **Field of Search** D26/1, 2, 3; 313/313,
313/315, 318, 113; 315/56, 57, 58

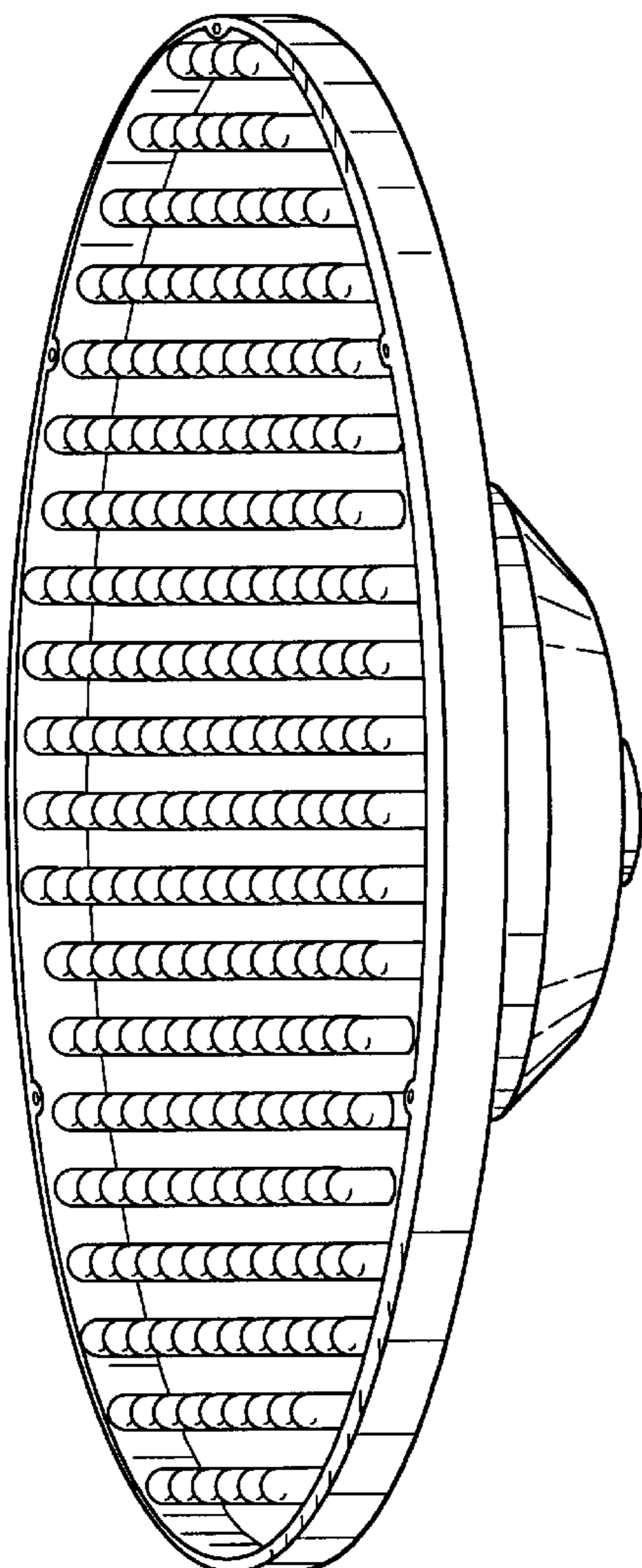
FIG. 1 is a perspective view of the design of a L.E.D lamp according to the present invention;
FIG. 2 is a front view thereof;
FIG. 3 is a side view thereof, the opposite side view being a substantial mirror image thereof and the bottom and top views being substantial mirror images thereof;
FIG. 4 is a rear view thereof;
FIG. 5 is a perspective view of an alternate embodiment of the present invention; and,
FIG. 6 is a side view of FIG. 5.

[56] **References Cited**

U.S. PATENT DOCUMENTS

- D. 279,910 7/1985 Detro D26/37
- D. 287,948 1/1987 Evans .
- D. 321,762 11/1991 Mujohid et al. D26/2
- D. 326,532 5/1992 Hume et al. D26/2

1 Claim, 6 Drawing Sheets



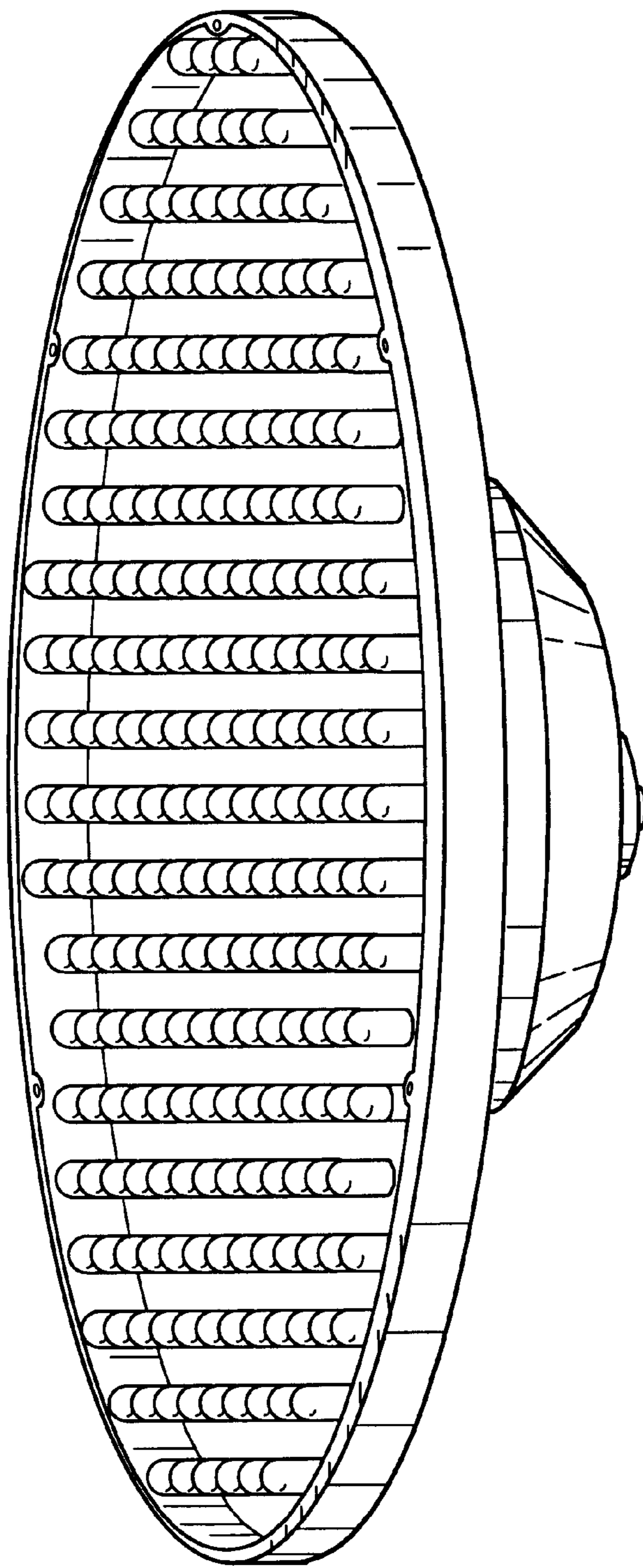


FIG. 1

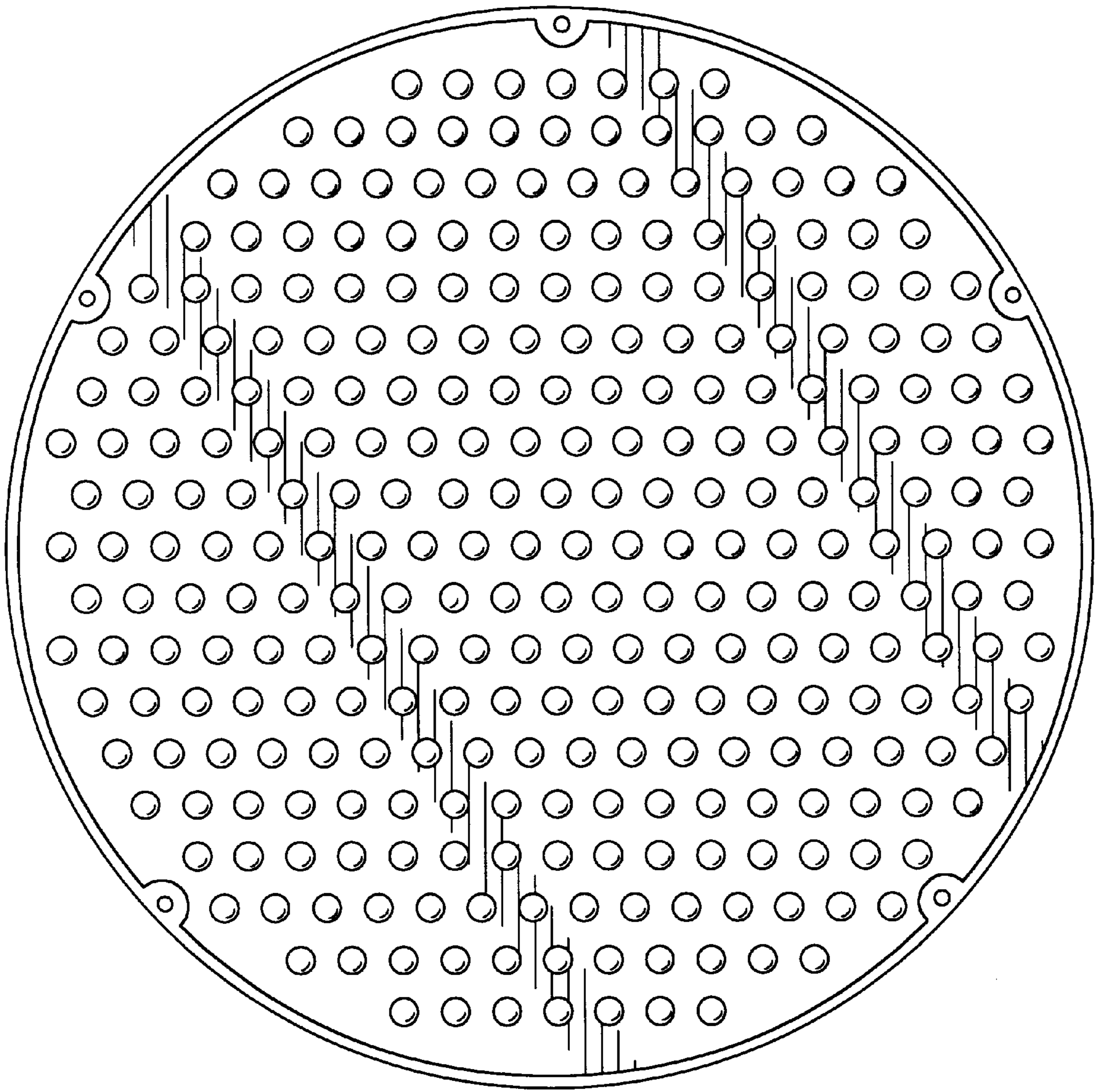


FIG. 2

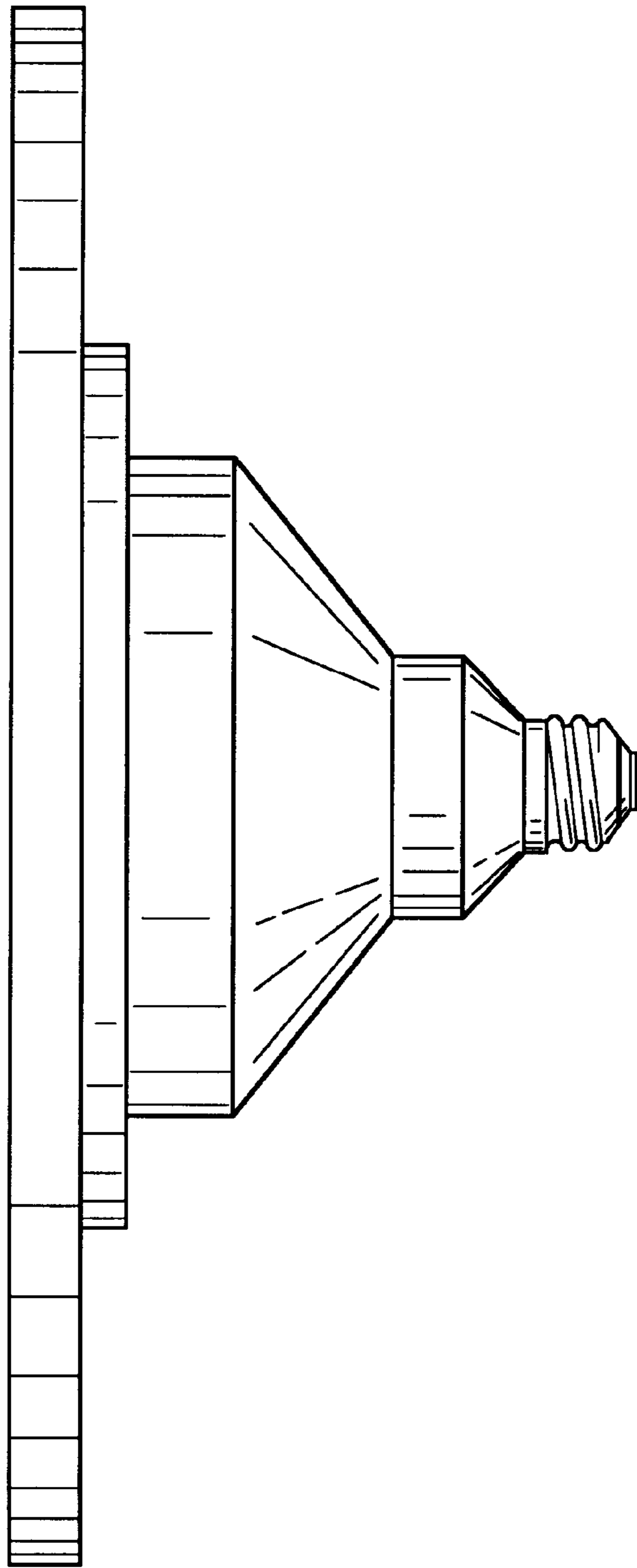


FIG. 3

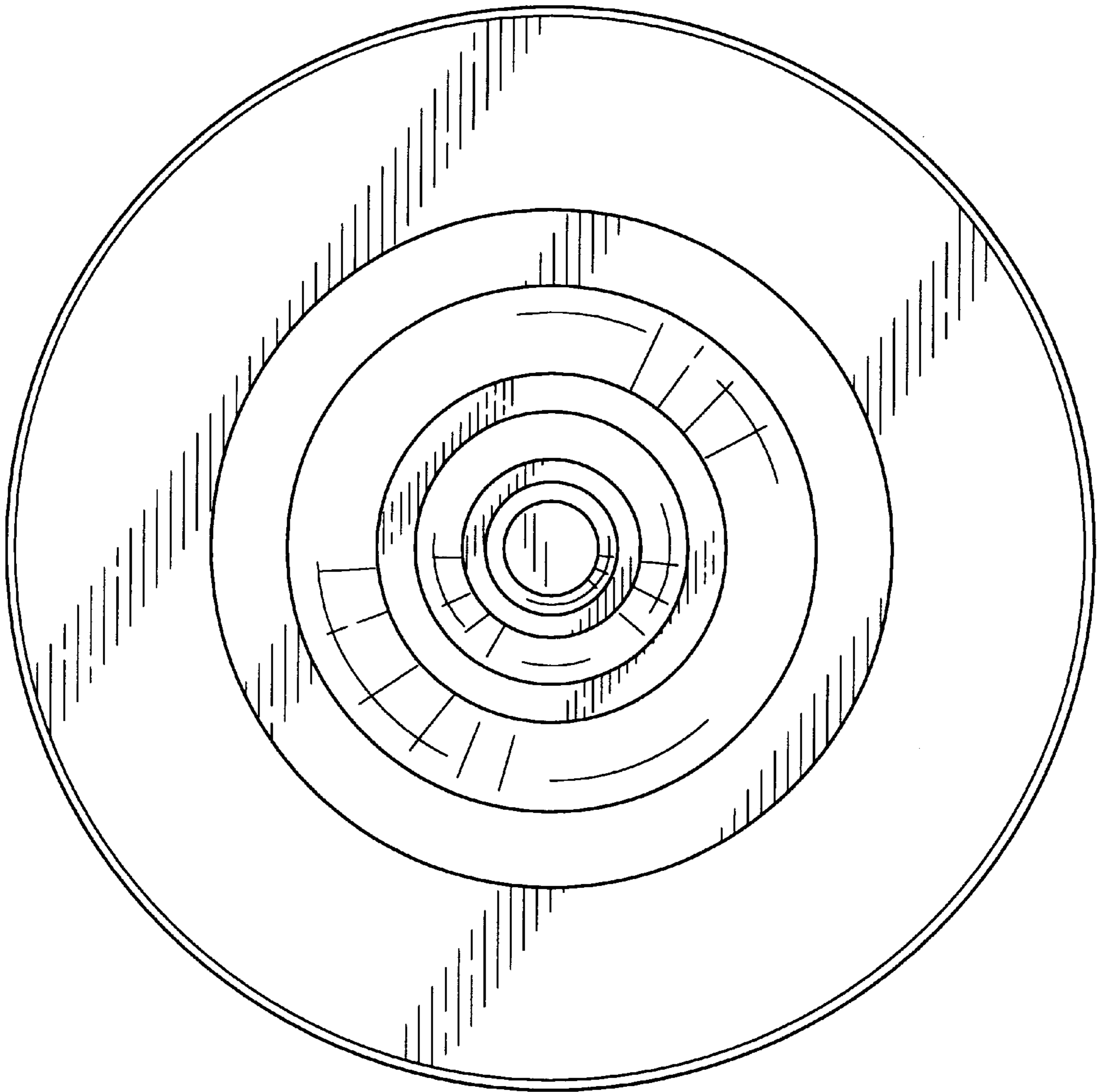


FIG. 4

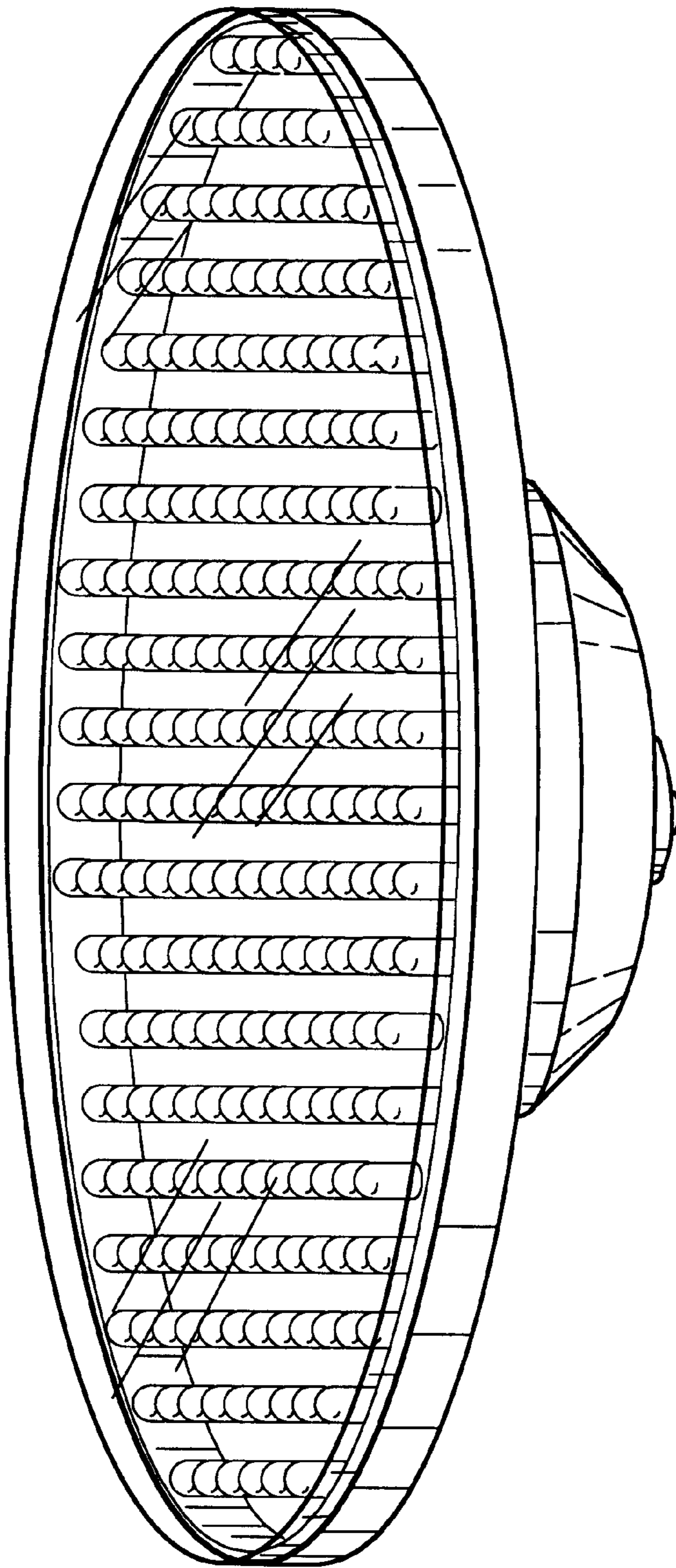


FIG. 5

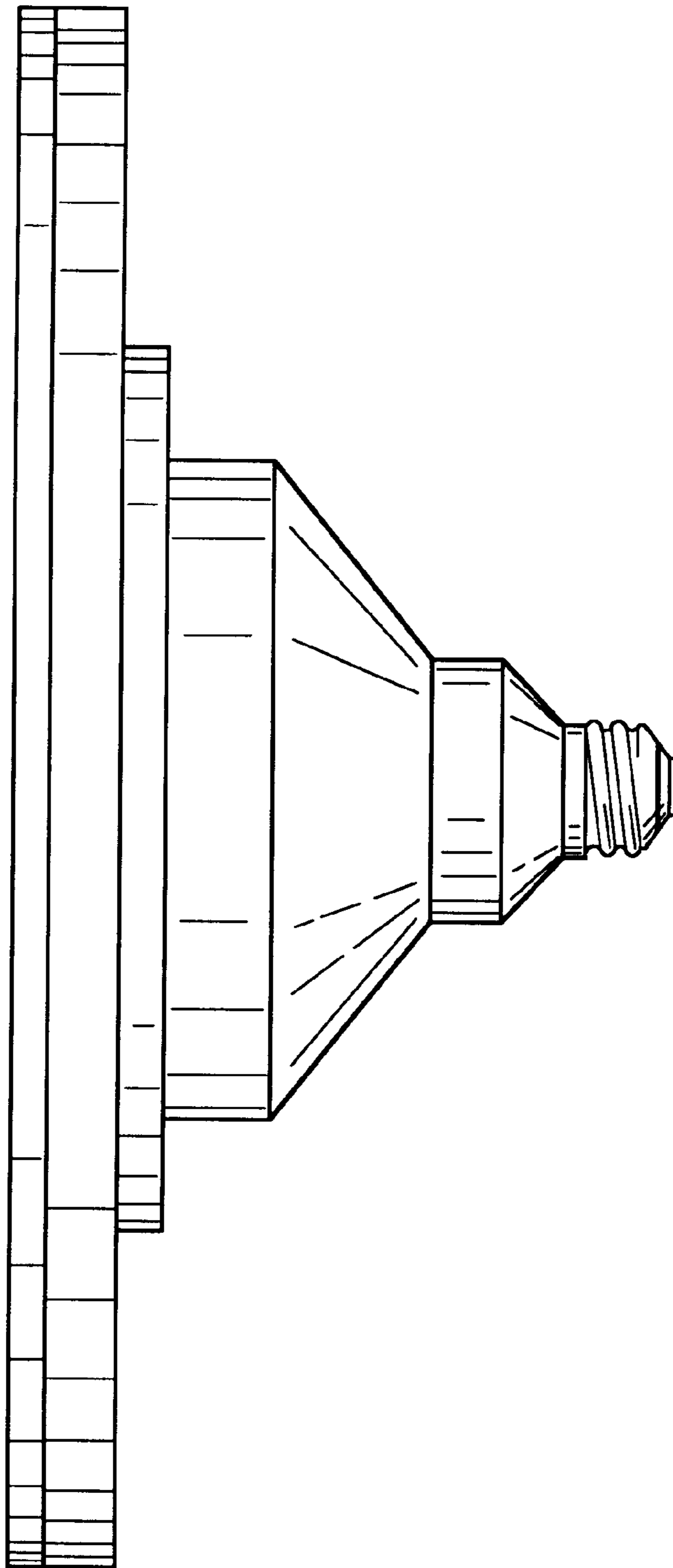


FIG. 6