



US00D424714S

United States Patent [19] Hale

[11] Patent Number: Des. 424,714

[45] Date of Patent: ** May 9, 2000

[54] PAVER RESTRAINT

[75] Inventor: Glen H. Hale, Marietta, Ohio

[73] Assignee: Dimex Corporation, Marietta, Ohio

[**] Term: 14 Years

[21] Appl. No.: 29/103,939

[22] Filed: Apr. 26, 1999

[51] LOC (7) Cl. 25-01

[52] U.S. Cl. D25/164

[58] Field of Search D25/164; 404/7,
404/8; 47/33; 52/393

5,240,343 8/1993 Strobl, Jr. .
5,375,941 12/1994 Strobl, Jr. .
5,379,546 1/1995 Popp .
5,501,036 3/1996 Torp, Jr. et al. .
5,544,445 8/1996 Mantilla .
5,640,801 6/1997 Rynberk .
5,772,357 6/1998 Evans .

FOREIGN PATENT DOCUMENTS

480927 3/1938 United Kingdom .

OTHER PUBLICATIONS

Valley View Specialties Co., *Diamond-Lok Paver/Briick Edging*, Pre Apr. 1996.

Permaloc, *Structure Edge Interlocking Snap-down Splicing System*, Pre Apr. 1996.

Primary Examiner—Doris Clark

Attorney, Agent, or Firm—Wood, Herron & Evans L.L.P.

[56] References Cited

U.S. PATENT DOCUMENTS

- D. 151,022 9/1948 Weber et al. .
- 268,441 12/1882 Tunica .
- D. 329,709 9/1992 Strobl, Jr. .
- D. 339,199 9/1993 Rynberk .
- D. 363,788 10/1995 Caley D25/119
- D. 378,857 4/1997 Hale .
- D. 400,985 11/1998 Risi D25/164
- 457,886 8/1891 Landis .
- 1,997,876 4/1935 Sheldon .
- 2,164,681 7/1939 Fould .
- 3,170,201 2/1965 Nofziger .
- 3,222,841 12/1965 Lipof .
- 3,314,193 4/1967 Chancellor .
- 3,332,197 7/1967 Hinkle .
- 3,378,949 4/1968 Dorris .
- 3,484,989 12/1969 Lazinsky .
- 3,520,082 7/1970 Smith .
- 3,728,837 4/1973 Kiefer, Jr. .
- 3,815,311 6/1974 Nisula et al. .
- 3,957,383 5/1976 Fredericks .
- 4,182,072 1/1980 Much .
- 4,809,459 3/1989 Brylla et al. .
- 4,858,379 8/1989 West .
- 4,863,307 9/1989 Jones .
- 4,905,442 3/1990 Daniels .
- 4,907,783 3/1990 Fiisk et al. .
- 4,987,717 1/1991 Dameron, Jr. .
- 5,048,241 9/1991 Gavin, Jr. .
- 5,212,917 5/1993 Kurtz et al. .

[57] CLAIM

The ornamental design for a paver restraint, as shown and described.

DESCRIPTION

FIG. 1 is a perspective view of a first embodiment of a paver restraint according to this invention.

FIG. 2 is a top elevational view thereof.

FIG. 3 is a front elevational view thereof.

FIG. 4 is a bottom view thereof.

FIG. 5 is a right side elevational view thereof. The left side elevational view being a mirror image thereof.

FIG. 6 is a rear view thereof.

FIG. 7 is a perspective view of a second embodiment of a paver restraint according to this invention.

FIG. 8 is a top elevational view thereof.

FIG. 9 is a front elevational view thereof.

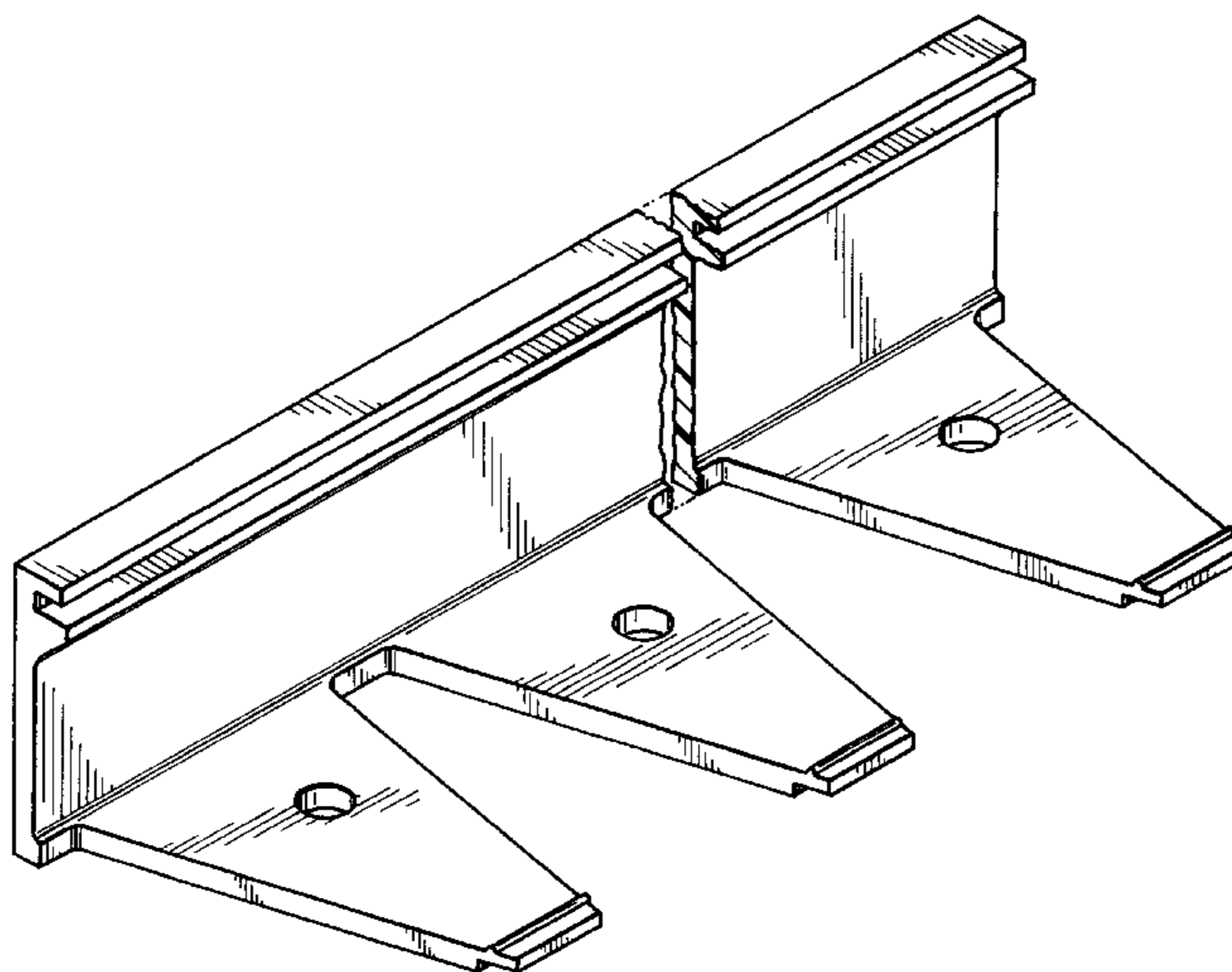
FIG. 10 is a bottom view thereof; and,

FIG. 11 is a right side elevational view thereof. The left side elevational view being a mirror image thereof.

The rear view of the second embodiment is identical that of the first embodiment shown in FIG. 6.

The paver restraint is broken on the web to indicate indefinite length.

1 Claim, 3 Drawing Sheets



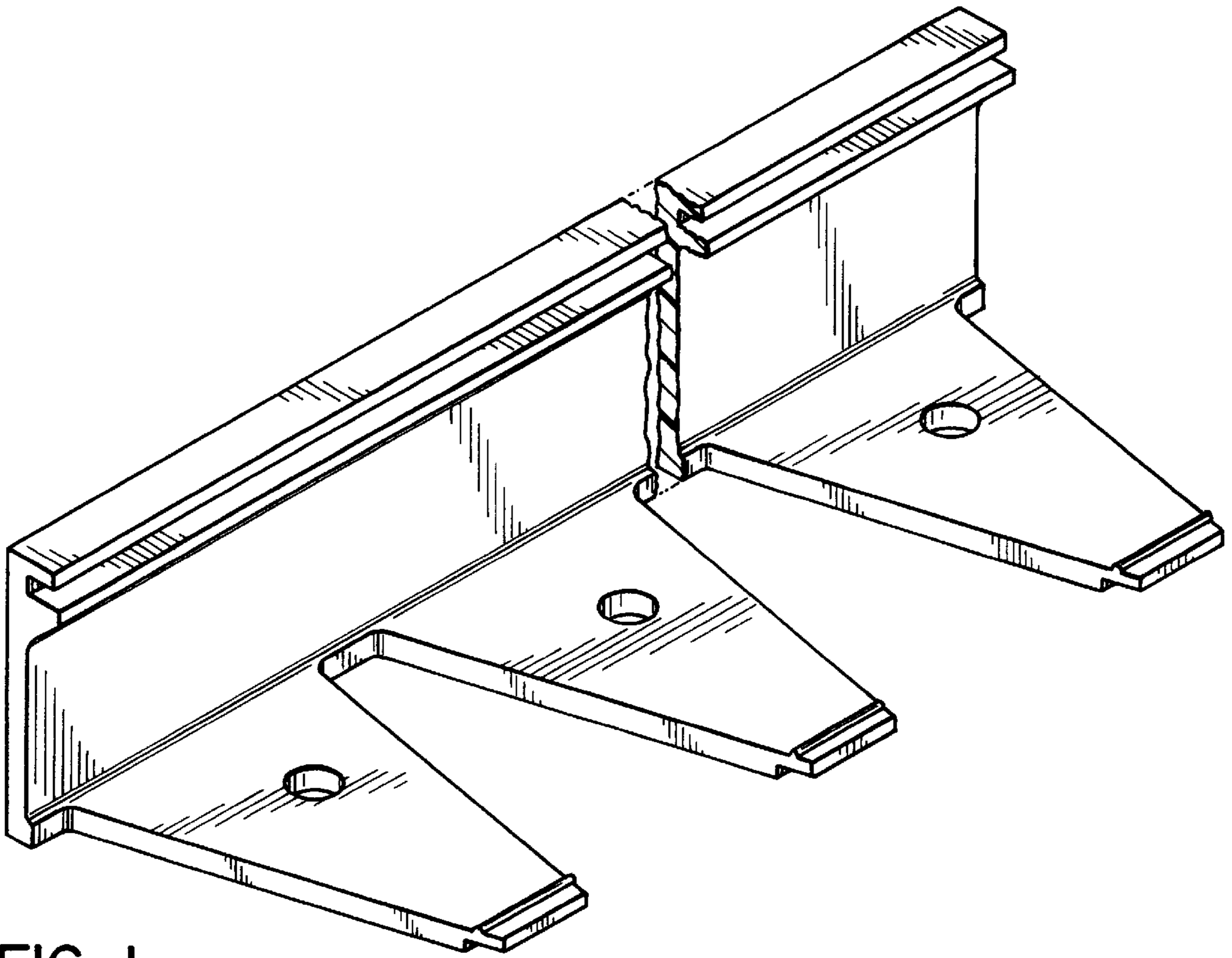


FIG. 1

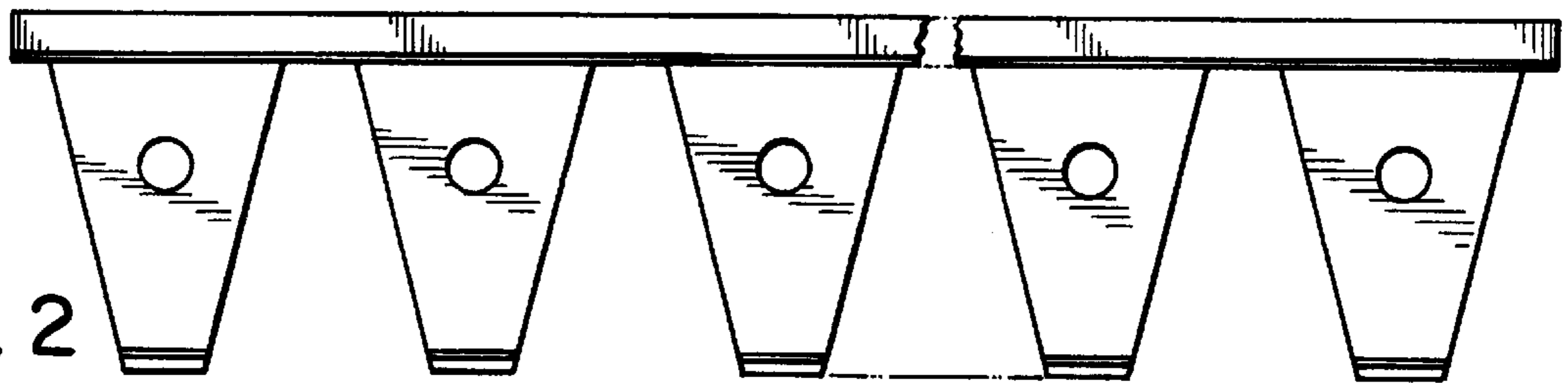


FIG. 2

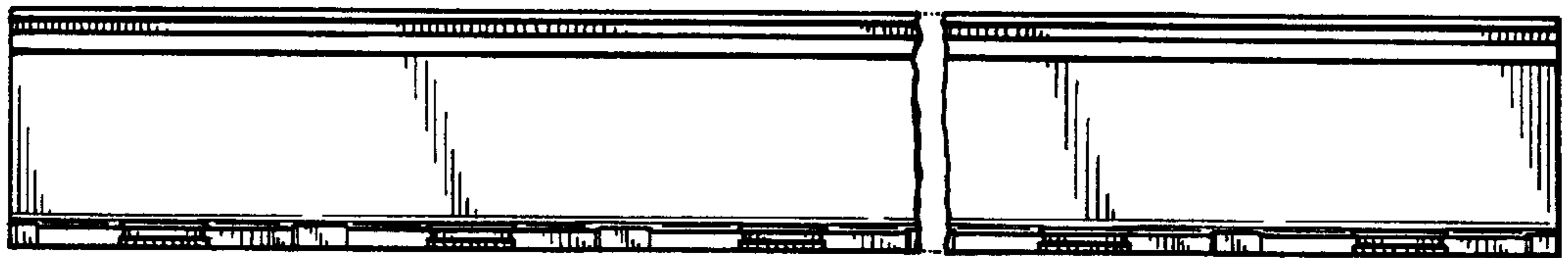


FIG. 3

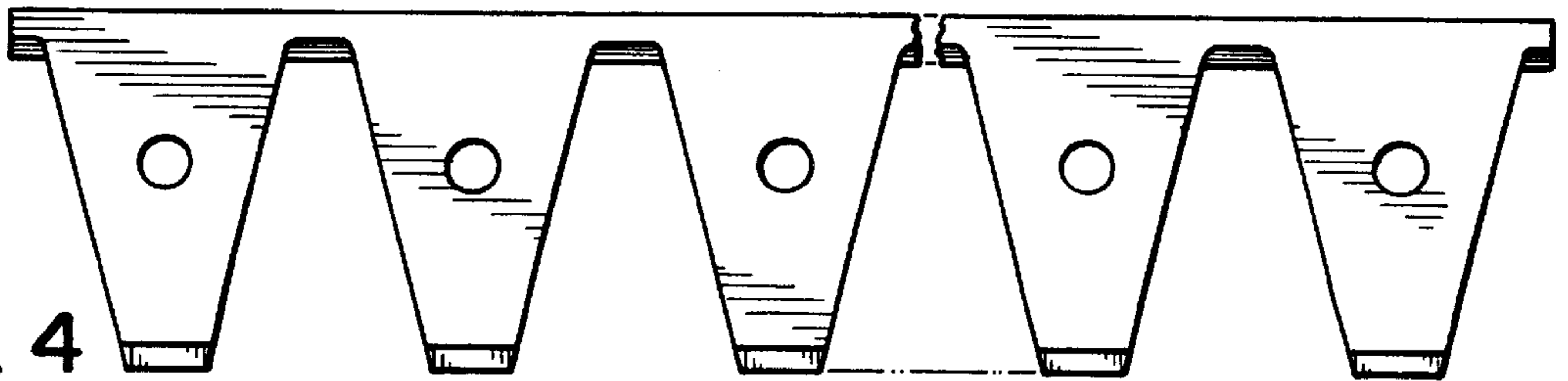


FIG. 4

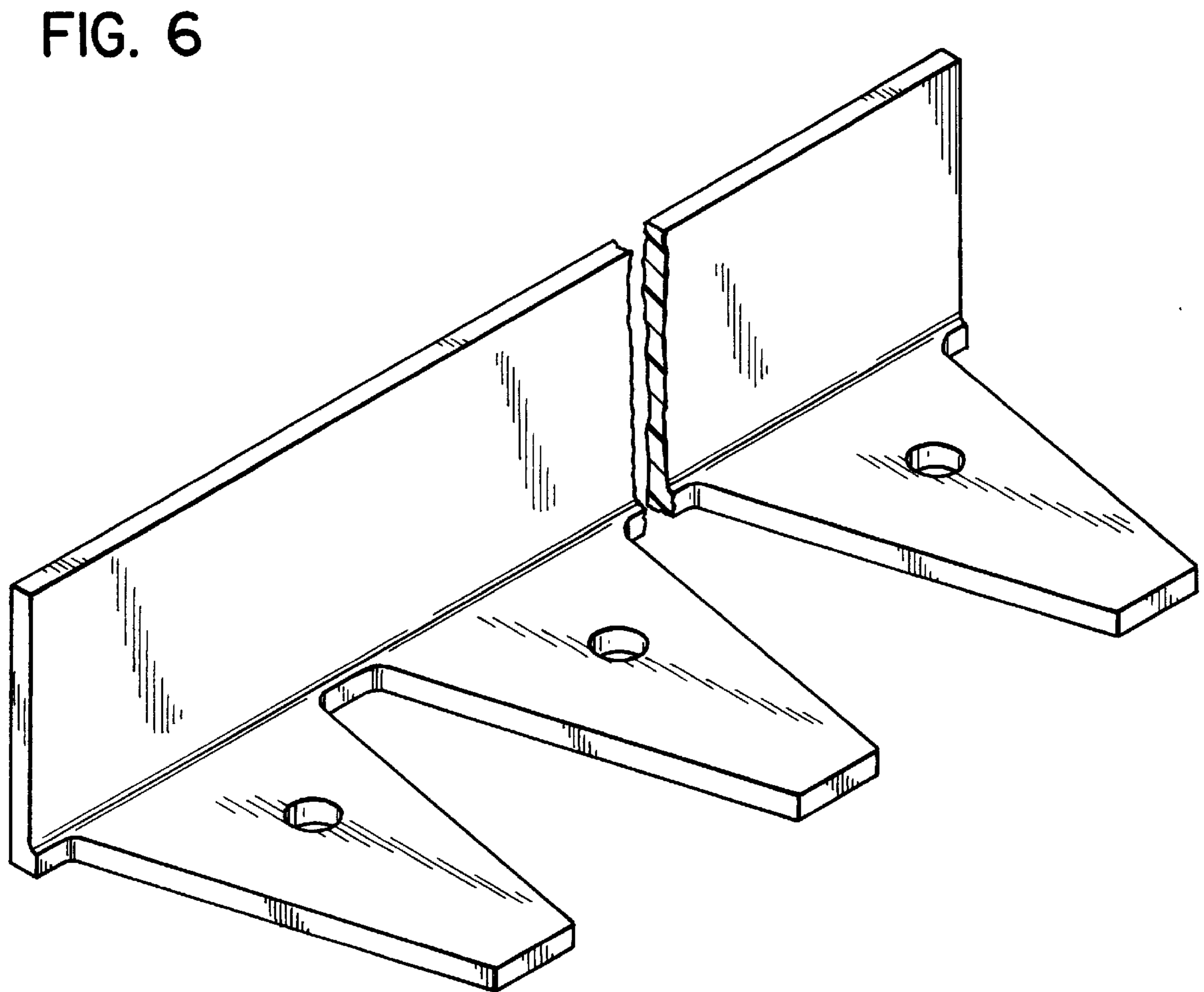
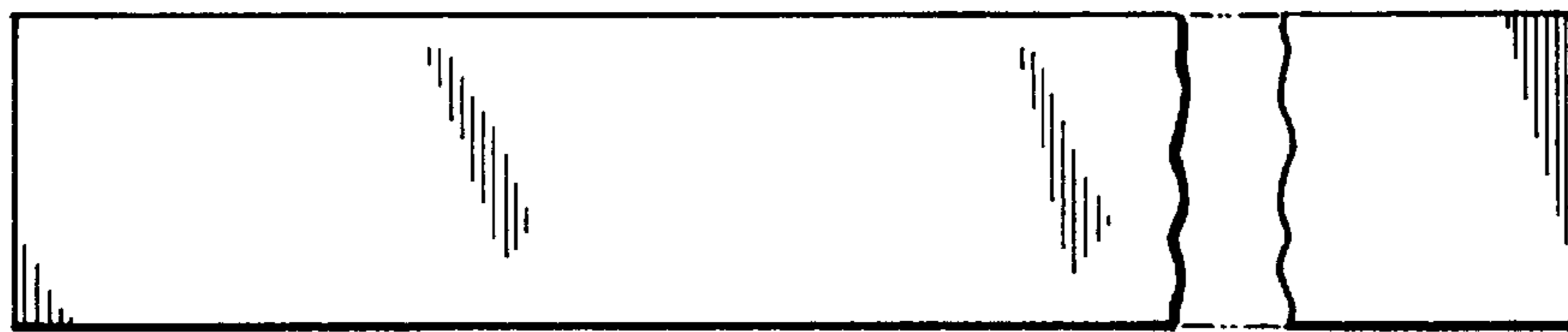
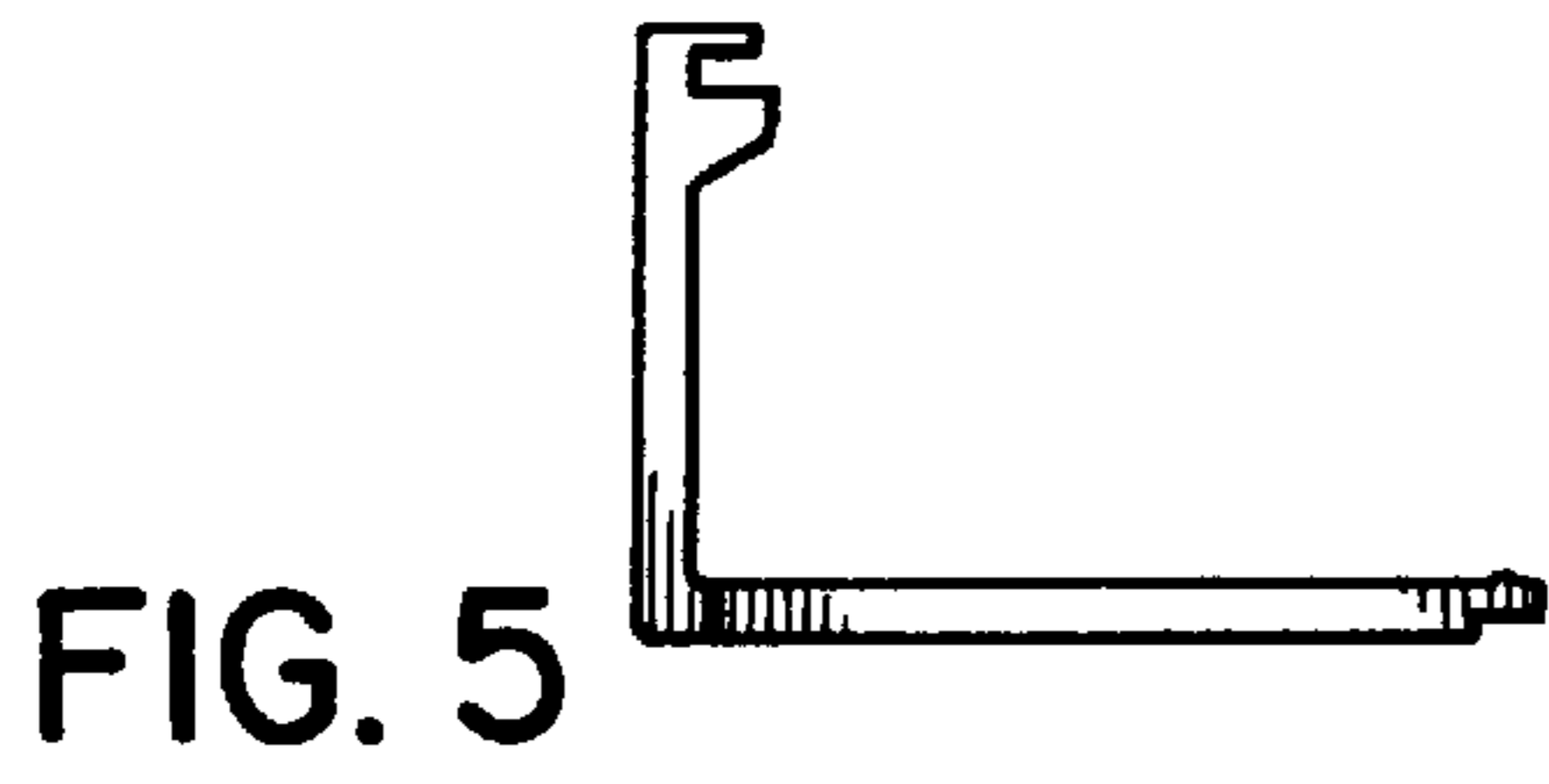


FIG. 7

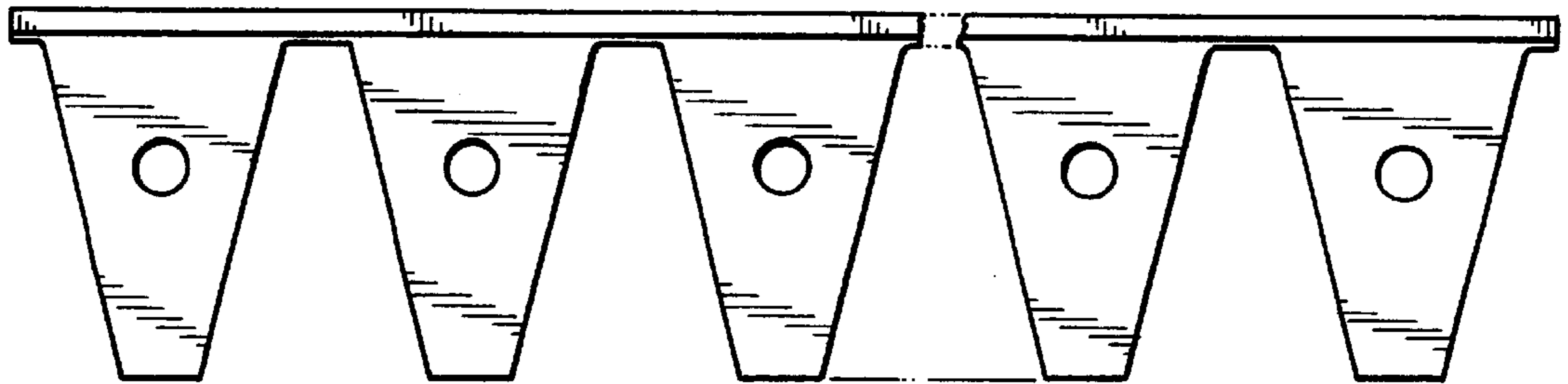


FIG. 8

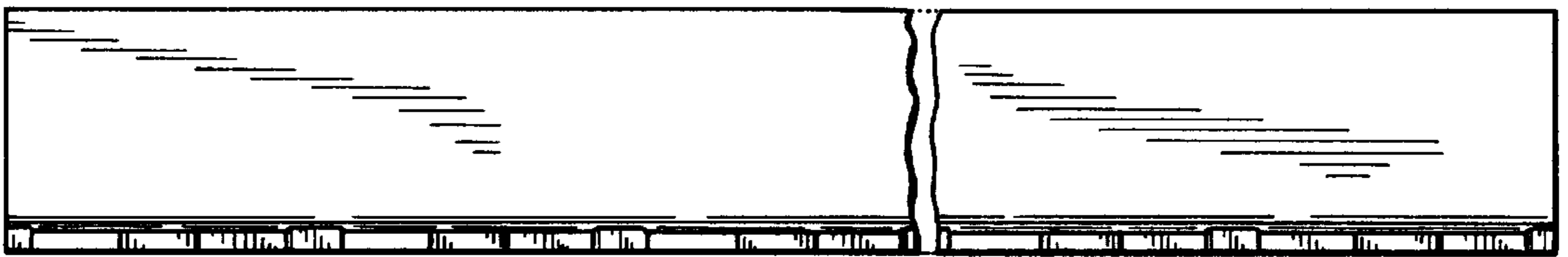


FIG. 9

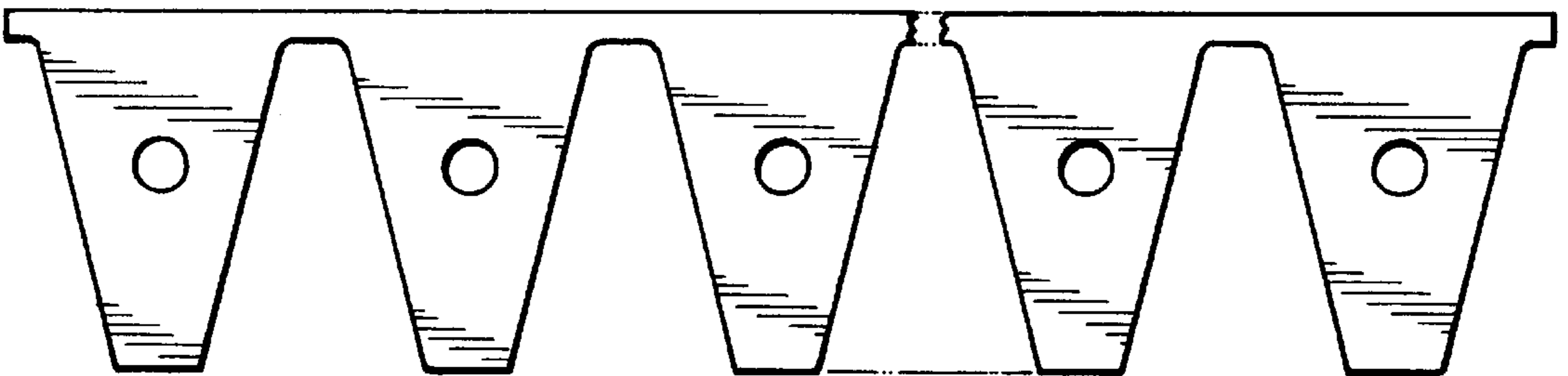


FIG. 10

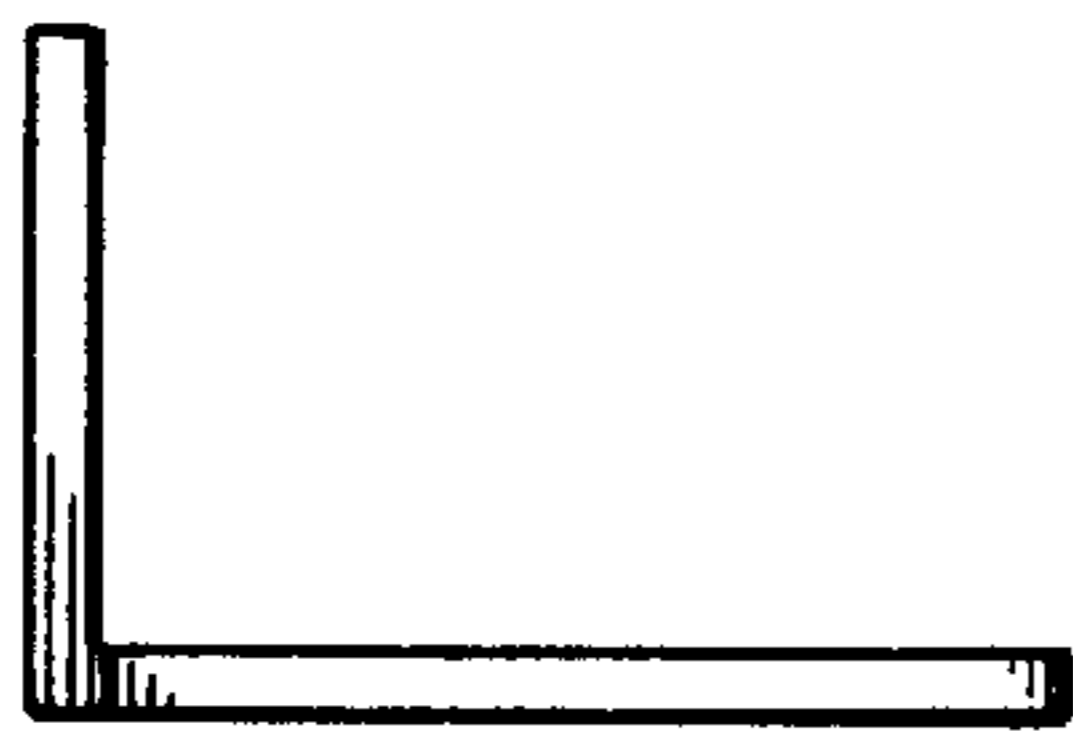


FIG. 11