



US00D424710S

United States Patent [19]

Hersh et al.

[11] **Patent Number: Des. 424,710**

[45] **Date of Patent: ** May 9, 2000**

[54] **WINDOW COMPONENT EXTRUSION**

[75] Inventors: **Jeffrey B. Hersh**, Wayne, Pa.; **Dennis Westphal**, Parma, Mich.; **Brian Opielski**, Malvern, Pa.; **Jerome C. Habeck**, Holt, Mich.

[73] Assignee: **CertainTeed Corporation**, Valley Forge, Pa.

[**] Term: **14 Years**

[21] Appl. No.: **29/098,604**

[22] Filed: **Dec. 29, 1998**

[51] **LOC (7) Cl.** **25-01**

[52] **U.S. Cl.** **D25/122**

[58] **Field of Search** D25/60, 52, 119-125;
52/204.5; 49/501, 504, DIG. 1, DIG. 2,
181

[56] **References Cited**

U.S. PATENT DOCUMENTS

D. 376,212 12/1996 DiGiorgio D25/124

Primary Examiner—Doris Clark
Attorney, Agent, or Firm—Duane, Morris & Heckscher LLP

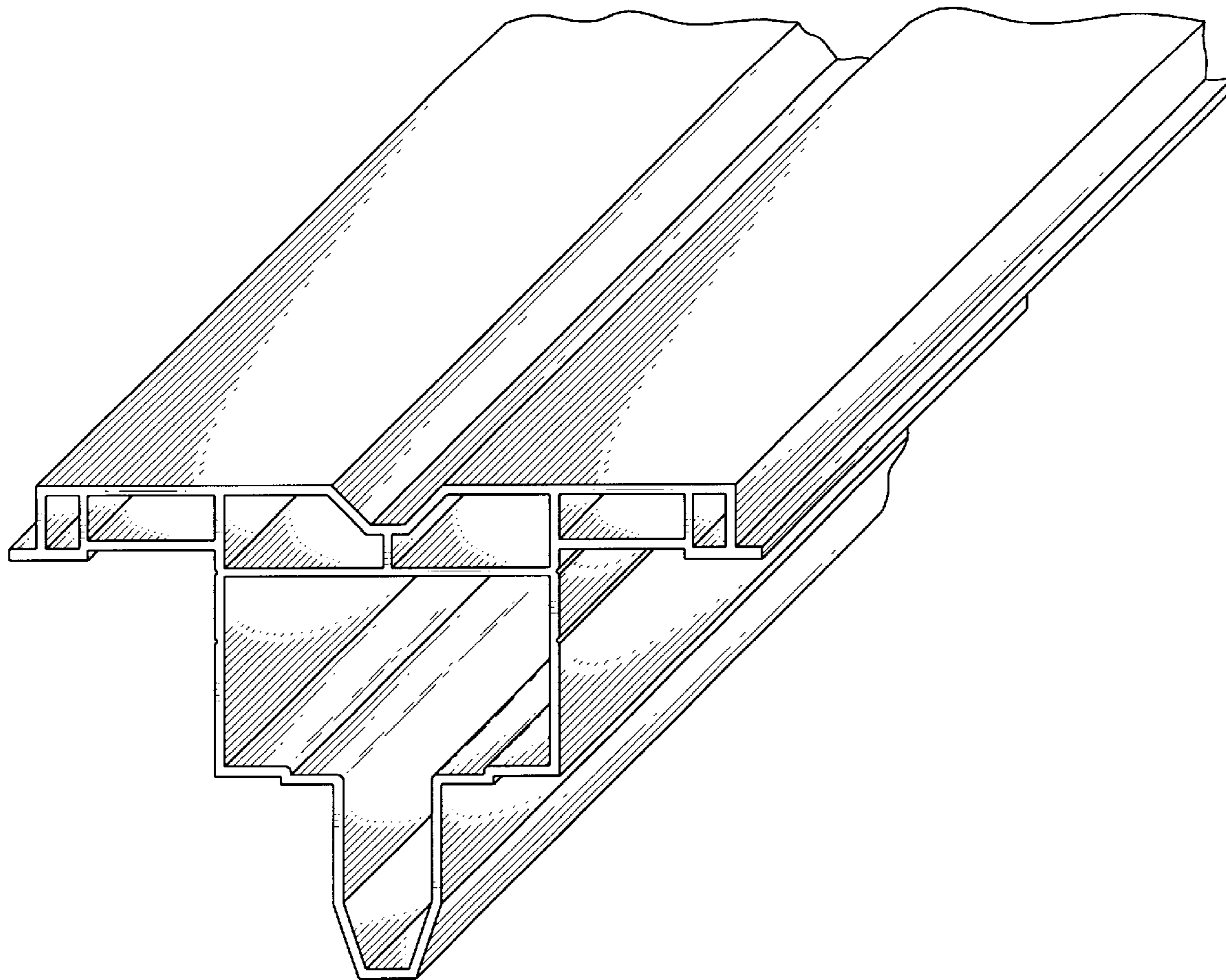
[57] **CLAIM**

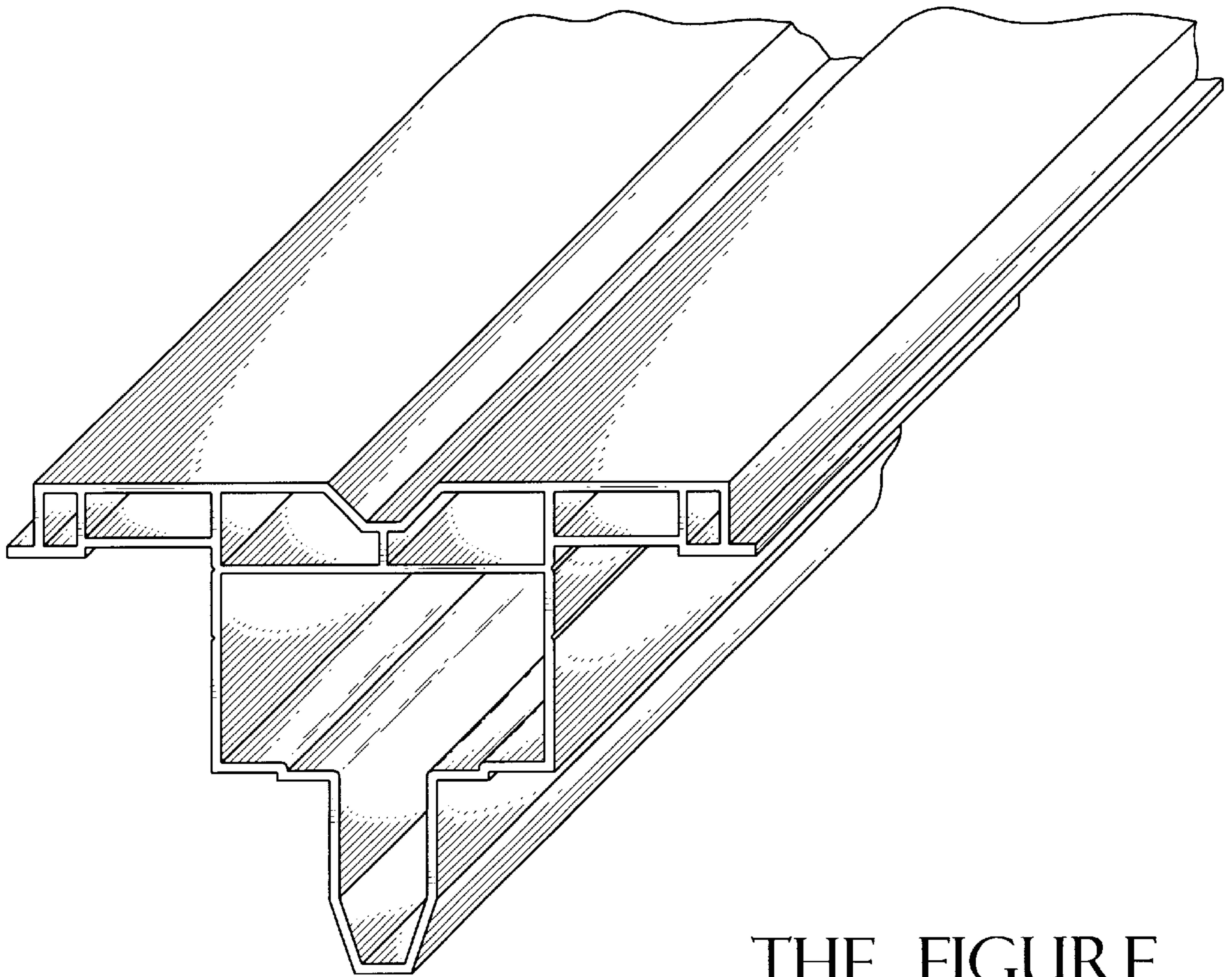
The ornamental design for a window component extrusion, as shown and described.

DESCRIPTION

The FIGURE is a broken front perspective view of a window component extrusion showing our new design, the rear perspective view being a mirror image thereof.

1 Claim, 1 Drawing Sheet





THE FIGURE