



US00D424709S

# United States Patent [19] Minidis

[11] Patent Number: Des. 424,709

[45] Date of Patent: \*\* May 9, 2000

[54] COVE BASE

[76] Inventor: James D. Minidis, 41651 Misha La.,  
Palmdale, Calif. 93551

[\*\*] Term: 14 Years

[21] Appl. No.: 29/087,748

[22] Filed: May 8, 1998

[51] LOC (7) Cl. .... 25-01

[52] U.S. Cl. .... D25/119; D25/164

[58] Field of Search ..... 52/290, 292; D25/164,  
D25/119

[56] **References Cited**

U.S. PATENT DOCUMENTS

D. 371,609	7/1996	Pelosi et al. ....	D25/119
3,228,160	1/1966	O'Brien .....	52/290
3,408,250	10/1968	Finefrock .....	52/290

Primary Examiner—Doris Clark  
Attorney, Agent, or Firm—Dennis W. Beech

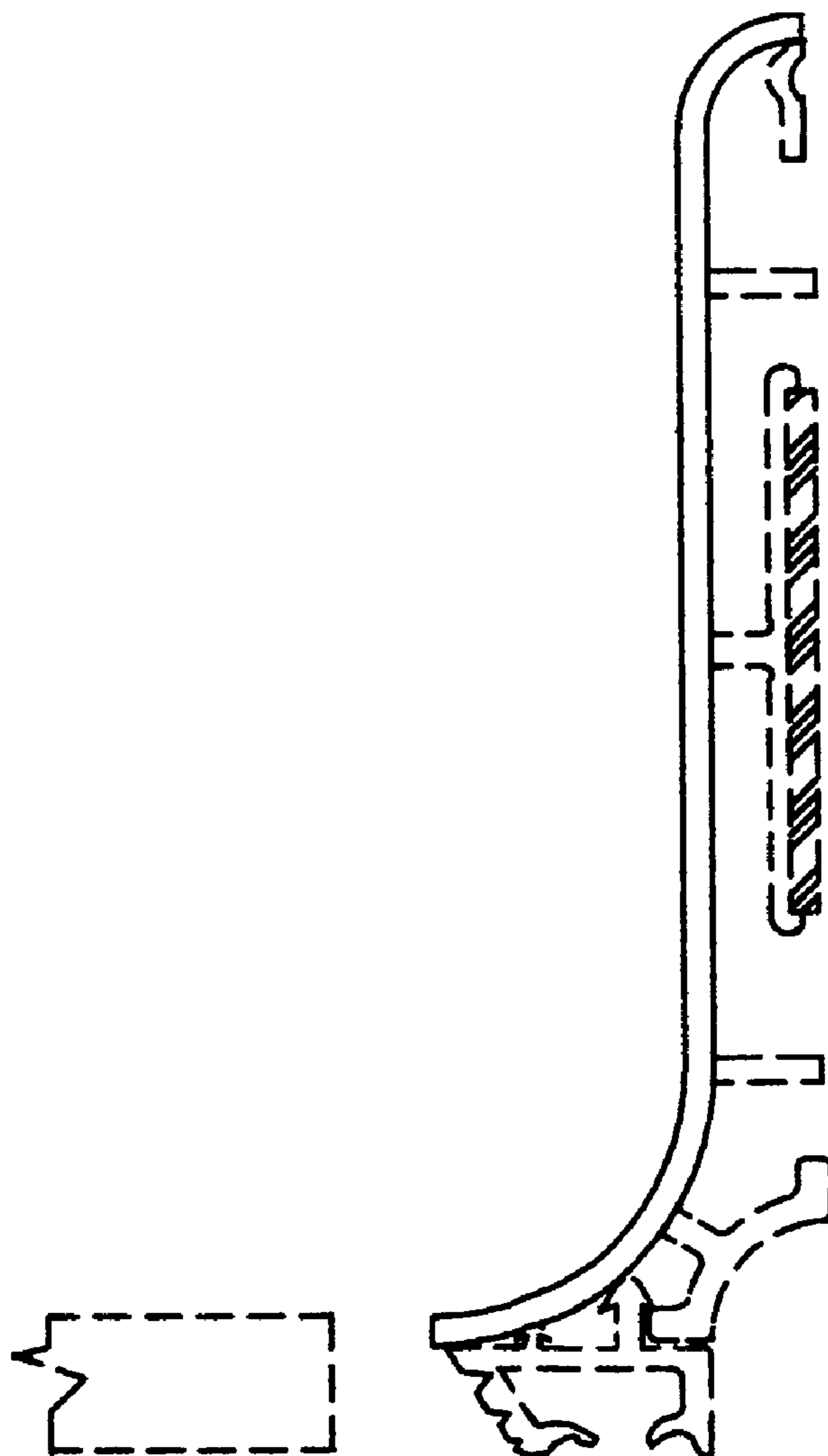
[57] **CLAIM**

The ornamental design for a cove base, as shown and described.

**DESCRIPTION**

FIG. 1 is a side elevation view of the cove base showing my new design;  
FIG. 2 is a front elevation view of the invention thereof;  
FIG. 3 is a bottom view thereof;  
FIG. 4 is a top view thereof;  
FIG. 5 is a rear elevation view thereof; and,  
FIG. 6 is a side elevation view thereof.  
The broken line showing of the back support structure and adjoining title element in FIG. 1 is for illustrative purposes only and forms no part of the claimed design.

1 Claim, 2 Drawing Sheets



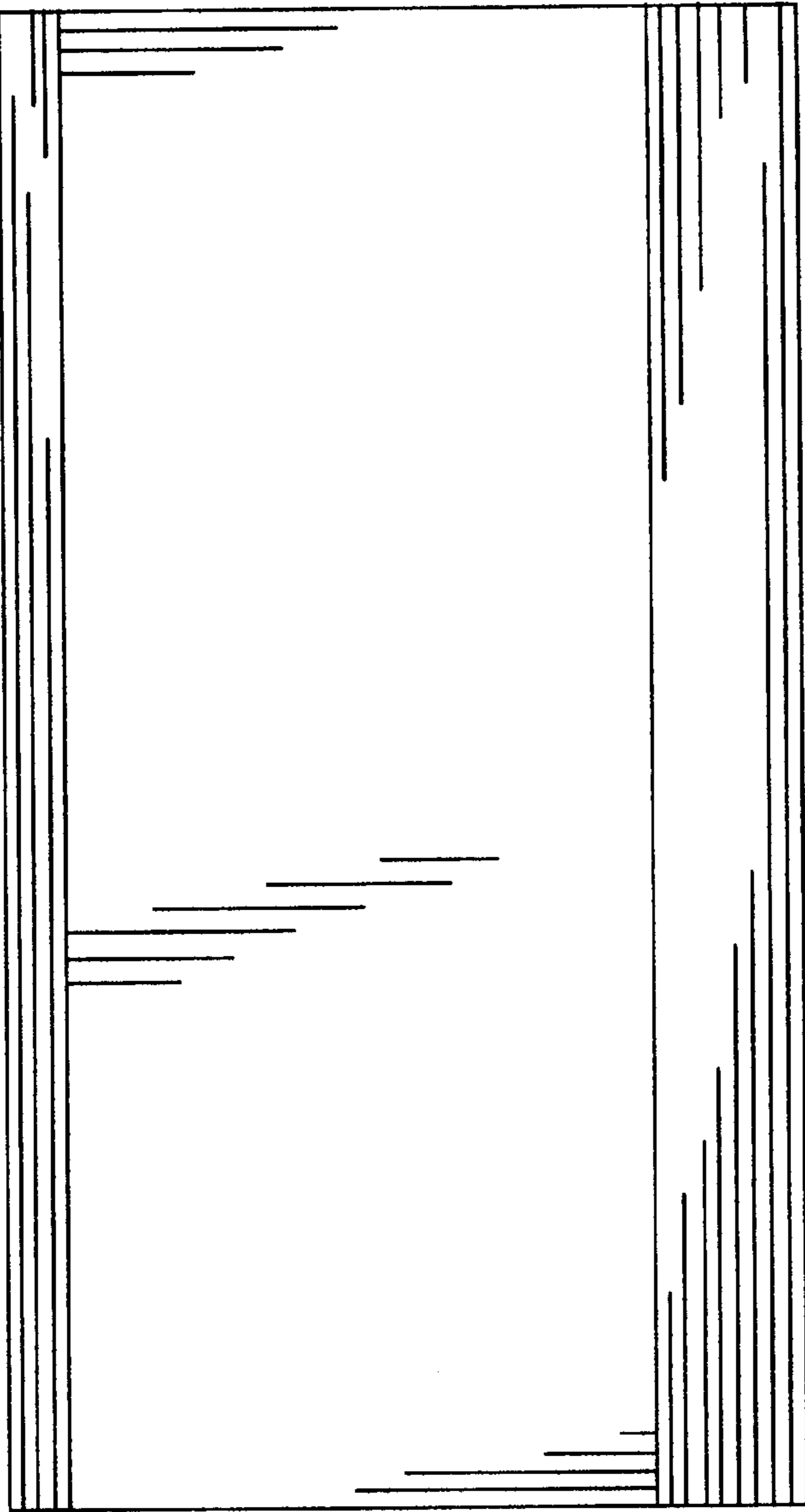


FIG. 2

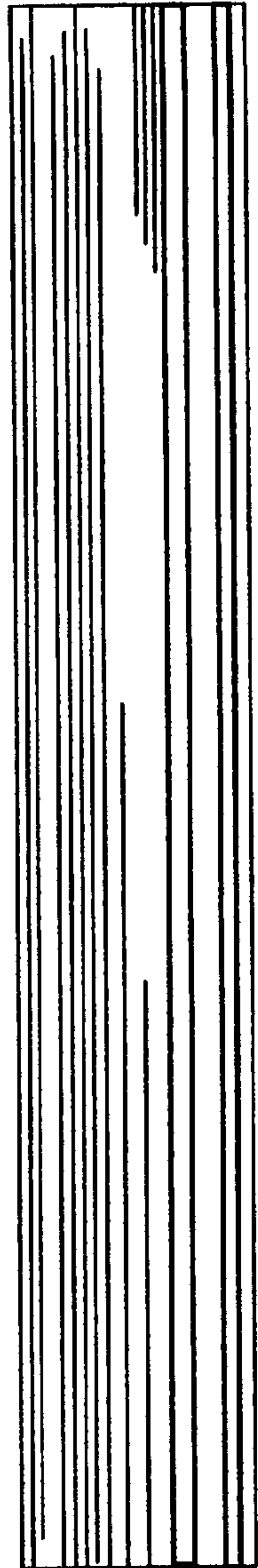


FIG. 3

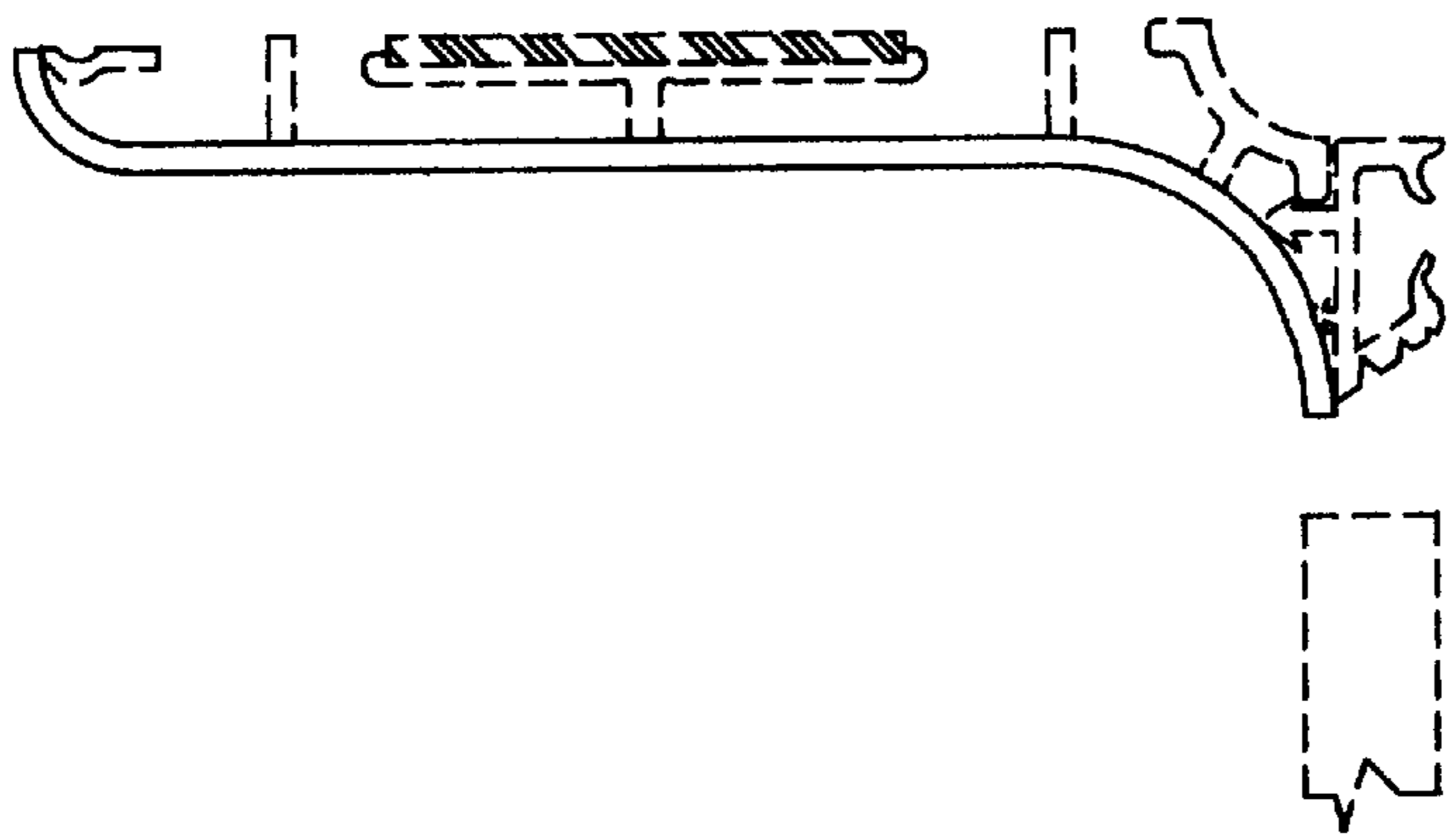


FIG. 1

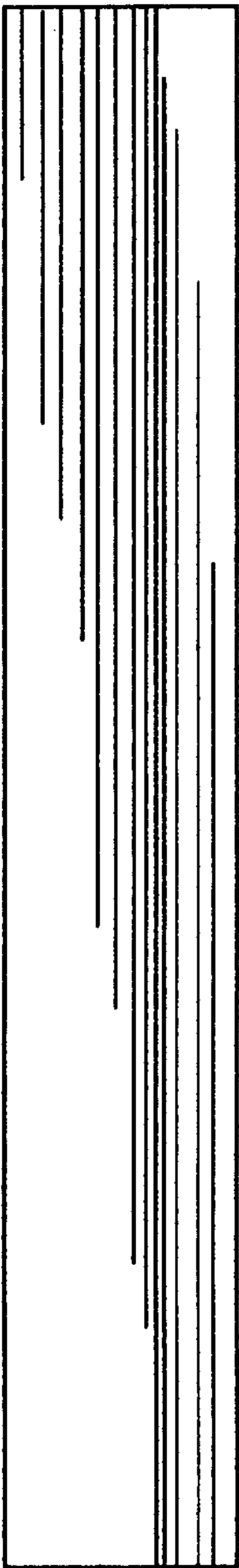


FIG. 4

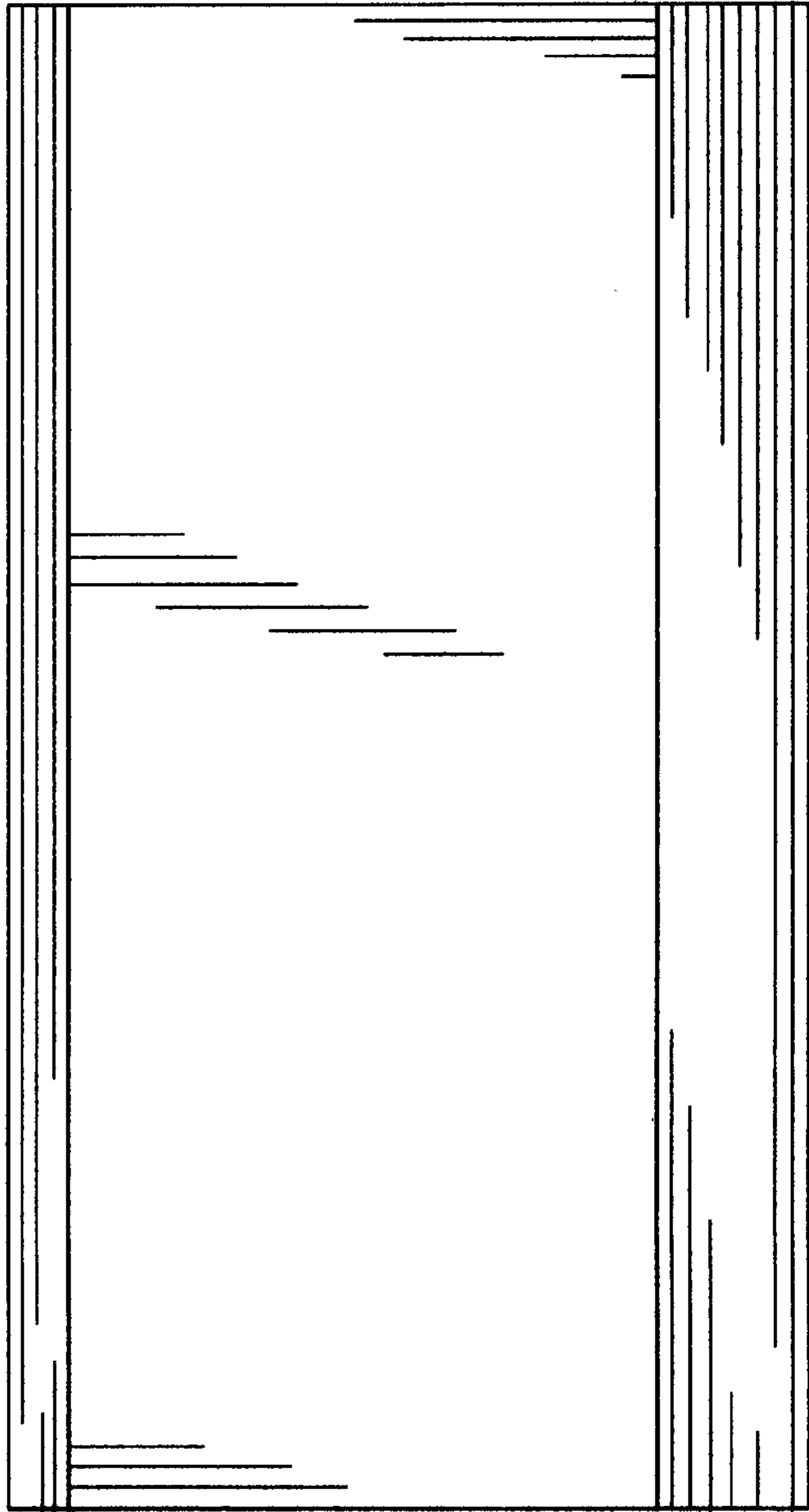


FIG. 5



FIG. 6