



US00D424708S

United States Patent [19]

Peppard et al.

[11] Patent Number: **Des. 424,708**

[45] Date of Patent: **** May 9, 2000**

[54] **FLUID-CONTAINMENT WALL SEGMENT**

[75] Inventors: **Dennis L. Peppard; Peter J. Schulte**, both of Casper, Wyo.; **Thomas B. Eckert**, Columbia, Md.; **Gary Zitterkopf**, Casper, Wyo.; **Randal G. Hebbert**, Casper, Wyo.; **S. Sheldon Wood**, Casper, Wyo.; **Jess Pena**, Yorba Linda, Calif.; **Richard H. Bostwick**, Casper, Wyo.

[73] Assignee: **Segment Systems, Inc.**, Casper, Wyo.

[**] Term: **14 Years**

[21] Appl. No.: **29/071,996**

[22] Filed: **Jun. 10, 1997**

[51] **LOC (7) Cl.** **25-01**

[52] **U.S. Cl.** **D25/113**

[58] **Field of Search** D21/484, 500, D21/501; D25/58-59, 108, 113-114, 152; 52/576, 591.3, 592.2, 592.3, 592.6; 404/191; 405/43, 47, 49, 110, 284, 286, 287, 52, 91, 15, 107, 16, 108, 19, 11, 21, 114, 115, 222, 270

[56] **References Cited**

U.S. PATENT DOCUMENTS

122,738 1/1872 Russell 405/52

231,957	9/1880	Dyer	405/21
D. 374,728	10/1996	Bielert	D25/152
D. 385,362	10/1997	Rossetti	D25/58
3,347,048	10/1967	Brown et al.	405/16
4,362,433	12/1982	Wagner et al.	405/107
5,454,195	10/1995	Hallsten	405/16
5,536,111	7/1996	Doernemann	405/16
5,832,687	11/1998	Willemsen	52/592.6

Primary Examiner—Louis S. Zarfaz
Assistant Examiner—Robert A. Delehanty
Attorney, Agent, or Firm—Dean P. Edmundson

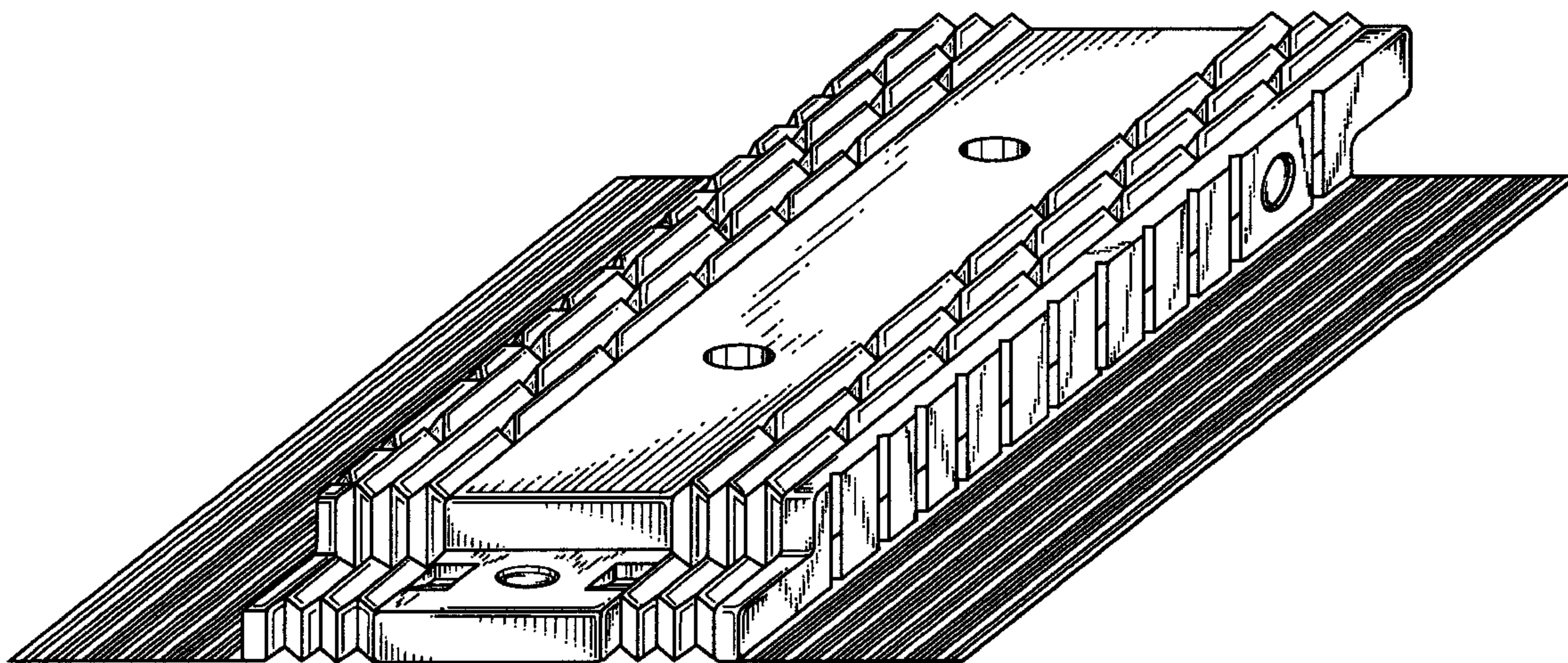
[57] **CLAIM**

The ornamental design for a fluid-containment wall segment, as shown and described.

DESCRIPTION

FIG. 1 is a front perspective view of a fluid-containment wall segment showing our new design; FIG. 2 is top plan view shown on a reduced scale thereof; FIG. 3 is a front elevation view of FIG. 1; FIG. 4 is a left side elevation view thereof; FIG. 5 is a right side elevation view thereof; FIG. 6 is a rear elevational view thereof; and, FIG. 7 is a bottom plan view shown on a reduced scale thereof.

1 Claim, 3 Drawing Sheets



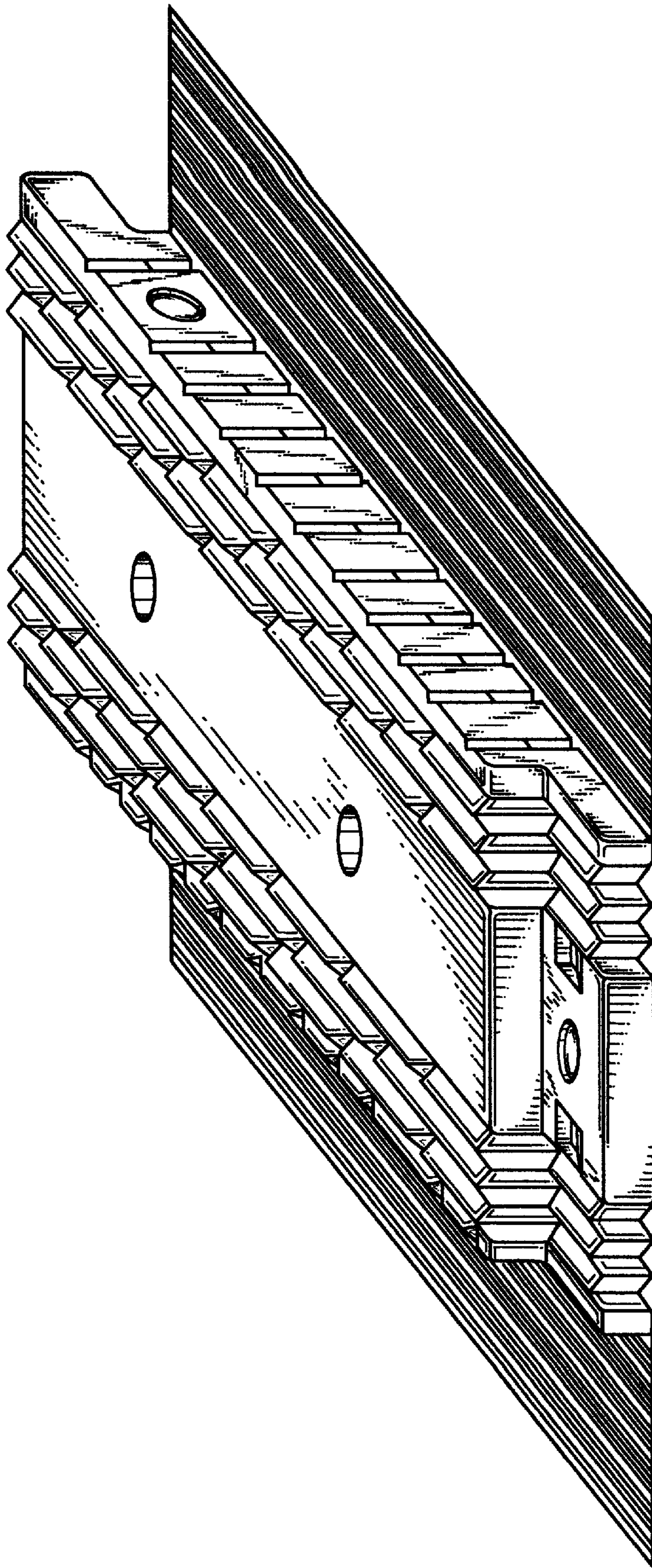


FIGURE 1

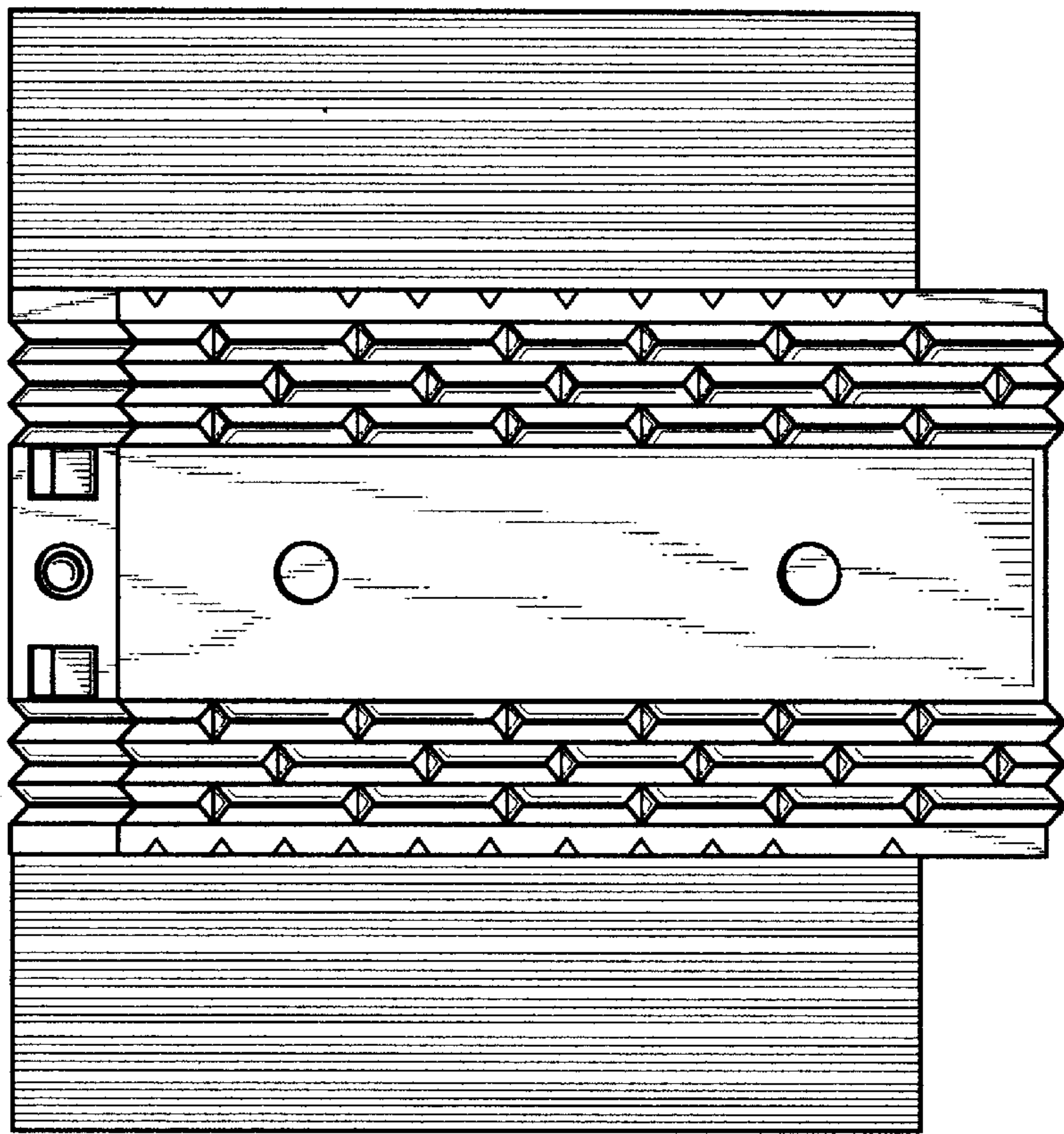


FIGURE 2

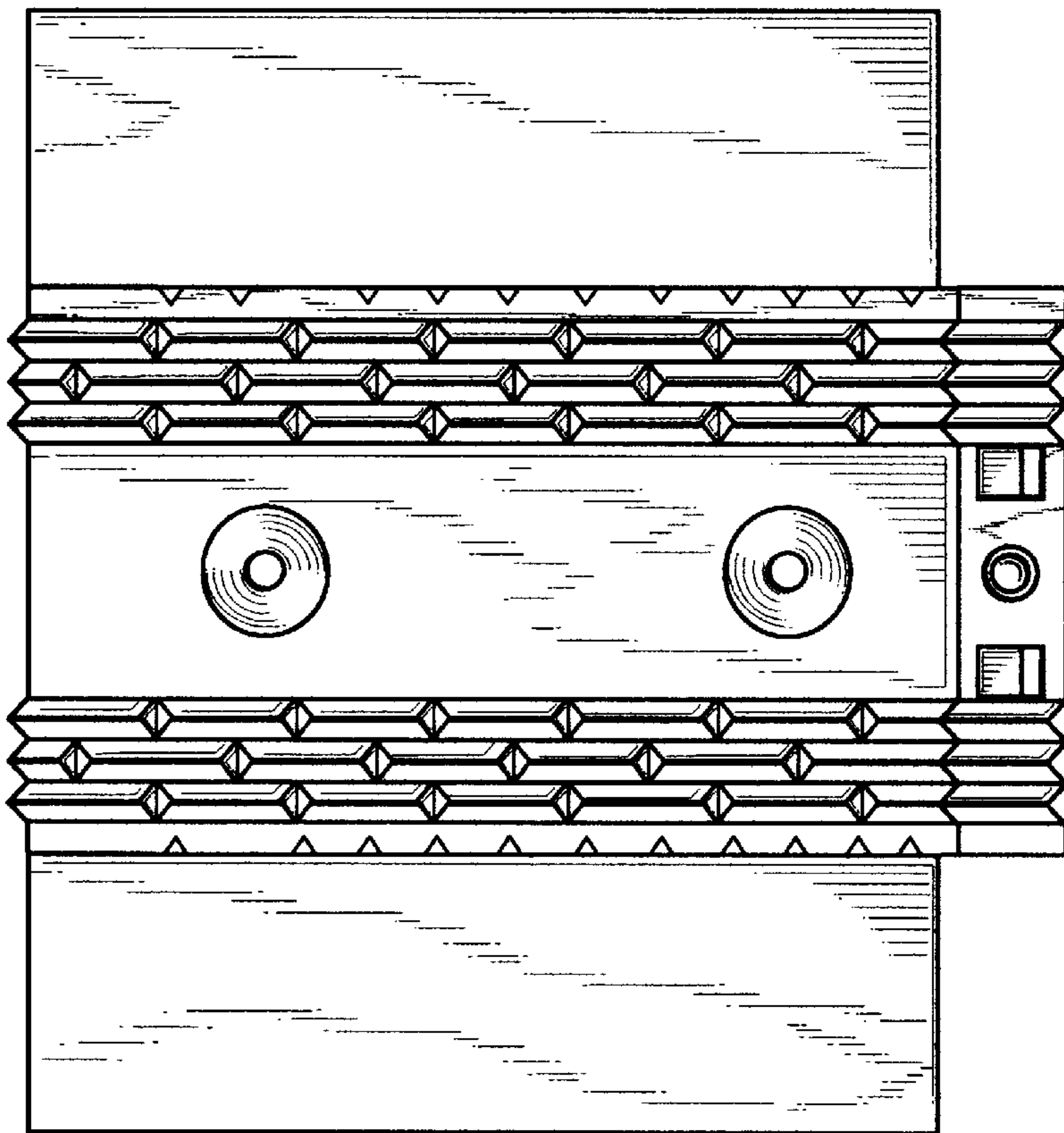


FIGURE 7

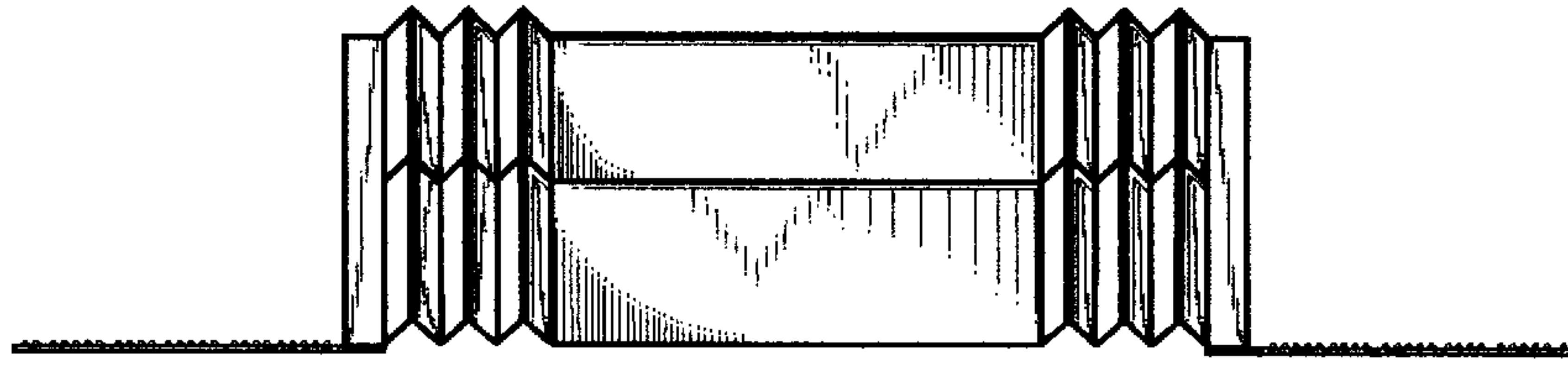


FIGURE 3

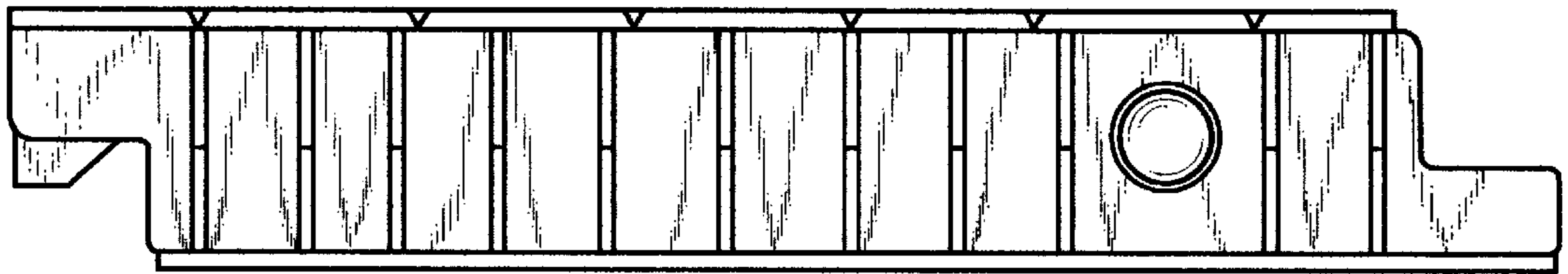


FIGURE 4

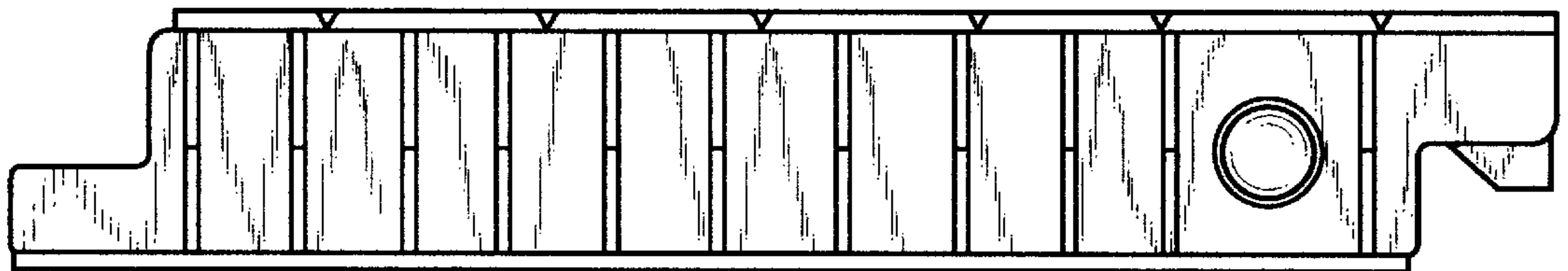


FIGURE 5

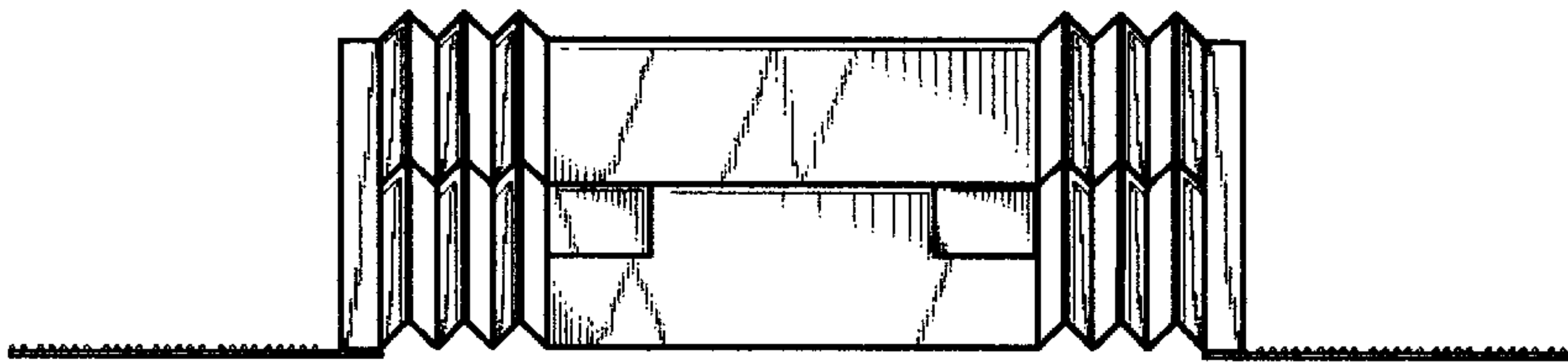


FIGURE 6