



US00D424695S

United States Patent [19]
Reil

[11] **Patent Number: Des. 424,695**

[45] **Date of Patent: ** May 9, 2000**

[54] **EARRING STUD CARTRIDGE**

[76] Inventor: **Vladimir Reil**, 32450 Nautilus Dr.,
Rancho Palos Verdes, Calif. 90275

[**] Term: **14 Years**

[21] Appl. No.: **29/063,002**

[22] Filed: **Nov. 20, 1996**

[51] **LOC (7) Cl. 24-02**

[52] **U.S. Cl. D24/146**

[58] **Field of Search D24/146; 606/188,
606/185, 186**

[56] **References Cited**

U.S. PATENT DOCUMENTS

D. 242,392 11/1976 Moore et al. D24/146
5,007,918 4/1991 Mann 606/188

Primary Examiner—Doris Clark
Attorney, Agent, or Firm—Cislo & Thomas LLP

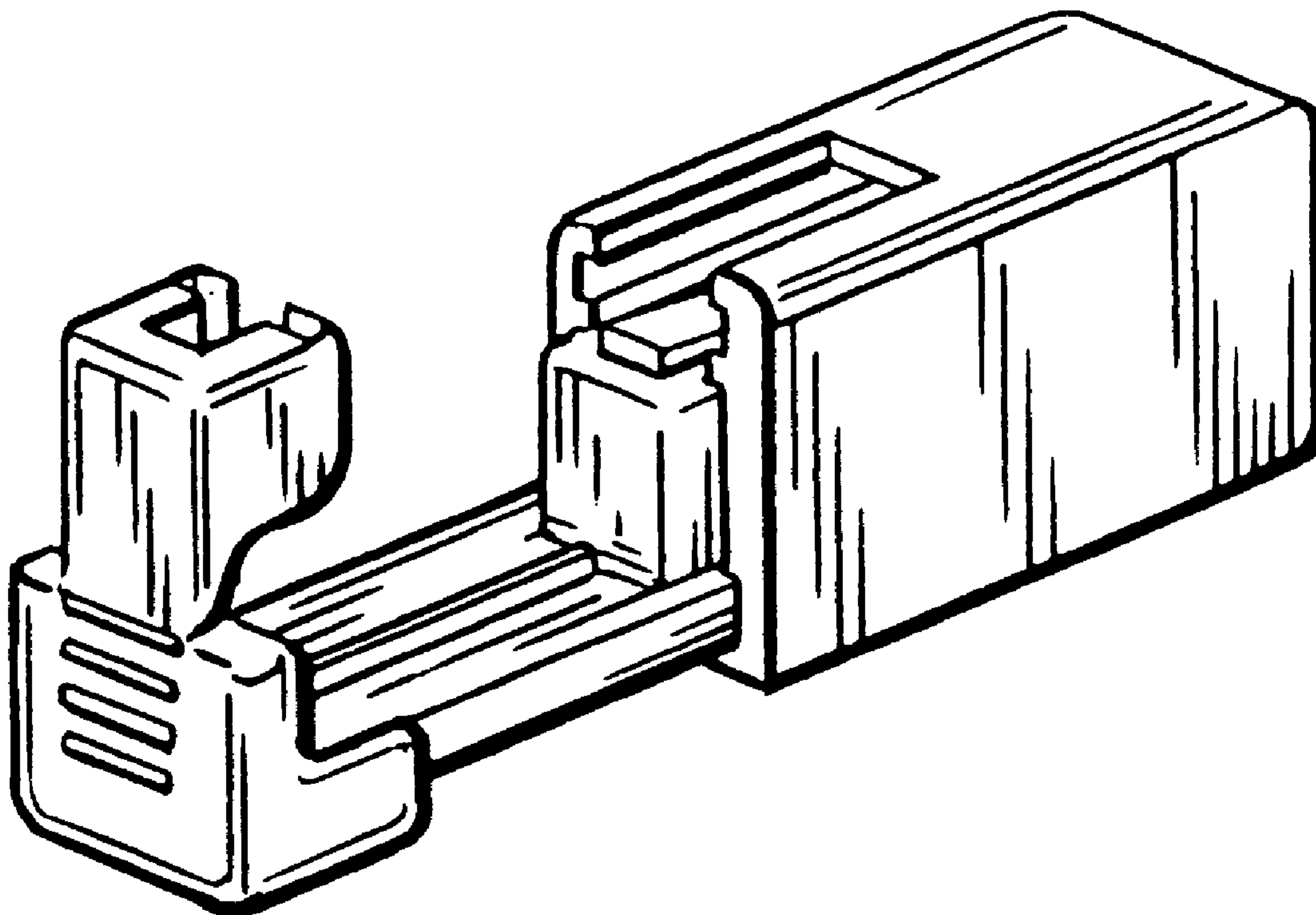
[57] **CLAIM**

The ornamental design for an earring stud cartridge, as shown and described.

DESCRIPTION

FIG. 1 is a front perspective view of my earring stud cartridge;
FIG. 2 is a front view thereof;
FIG. 3 is a rear view thereof;
FIG. 4 is a left side elevational view thereof;
FIG. 5 is a right side elevational view thereof;
FIG. 6 is a top view thereof; and,
FIG. 7 is a bottom view thereof.

1 Claim, 1 Drawing Sheet



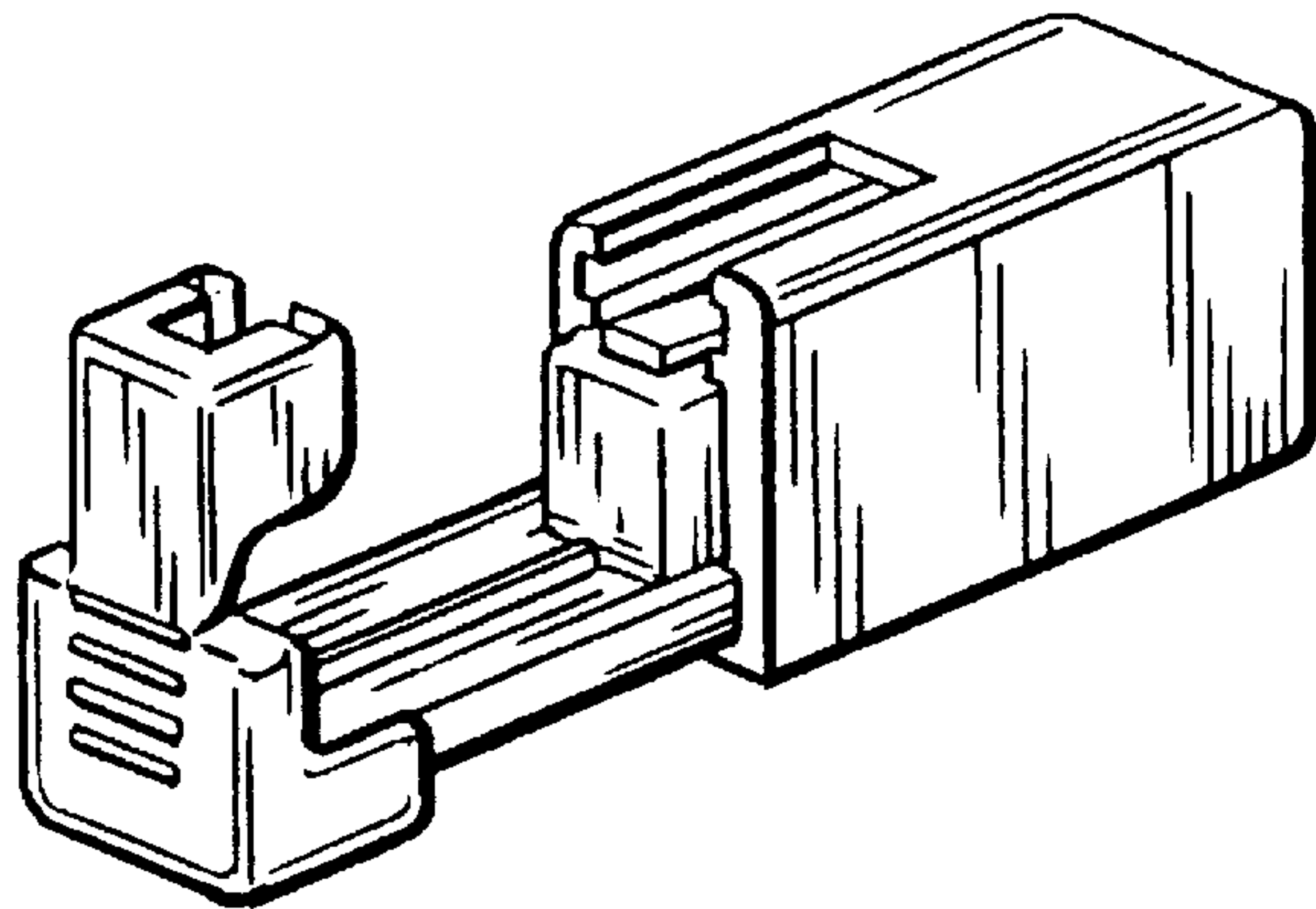


FIG. 1



FIG. 2



FIG. 3

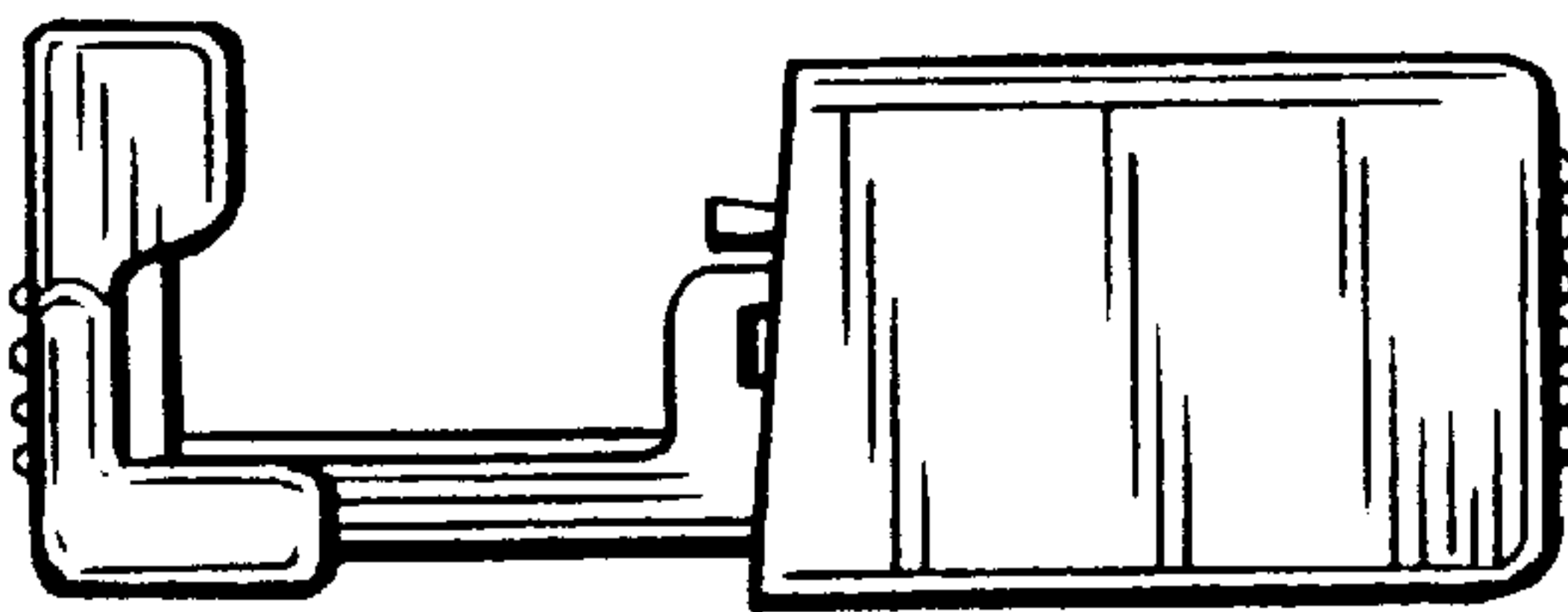


FIG. 4

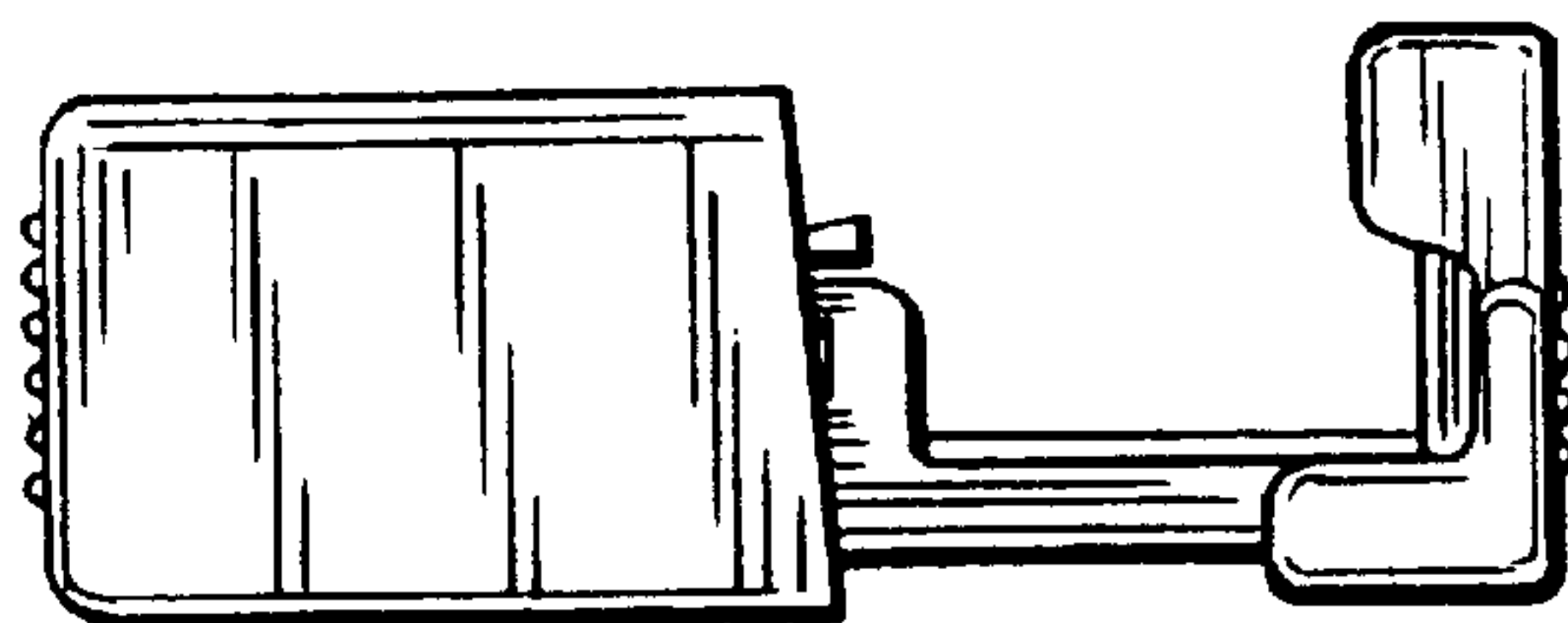


FIG. 5

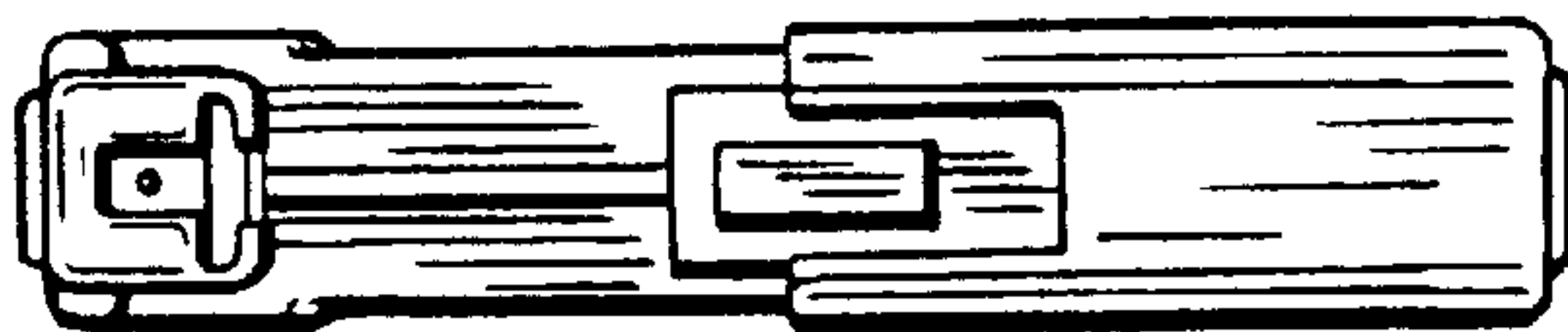


FIG. 6

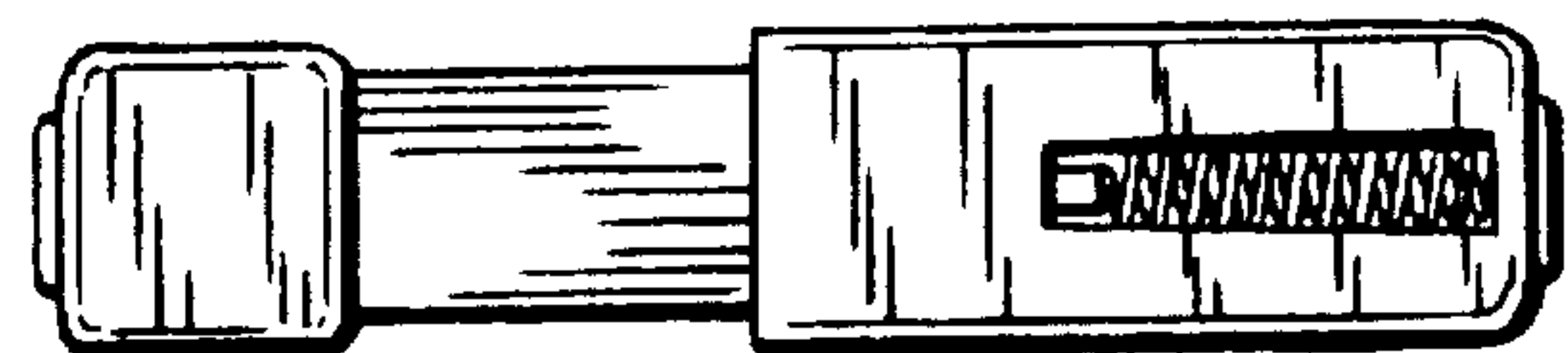


FIG. 7