



US00D424693S

United States Patent [19]

[11] **Patent Number: Des. 424,693**

Pruter

[45] **Date of Patent: ** May 9, 2000**

[54] **NEEDLE GUIDE FOR ATTACHMENT TO AN ULTRASOUND TRANSDUCER PROBE**

5,924,992 7/1999 Park et al. 600/461

[76] Inventor: **Rick L. Pruter**, 611 Southgate Ave., Iowa City, Iowa 52240-2166

Primary Examiner—Stella Reid
Attorney, Agent, or Firm—Allan L. Harms

[**] Term: **14 Years**

[57] **CLAIM**

[21] Appl. No.: **29/103,098**

I claim the ornamental design for a needle guide for attachment to an ultrasound transducer probe, as shown and described.

[22] Filed: **Apr. 8, 1999**

DESCRIPTION

[51] **LOC (7) Cl.** **24-02**

[52] **U.S. Cl.** **D24/130**

[58] **Field of Search** D24/130, 128, D24/129; 600/461, 437, 459, 462

FIG. 1 is a perspective view of a needle guide for attachment to an ultrasound transducer, showing my new design, the broken line showing being for illustrative purposes only and forming no part of the claimed design;

FIG. 2 is a front elevational view thereof;

FIG. 3 is a left side elevational view thereof;

FIG. 4 is a right side elevational view thereof;

FIG. 5 is a top plan view thereof; and,

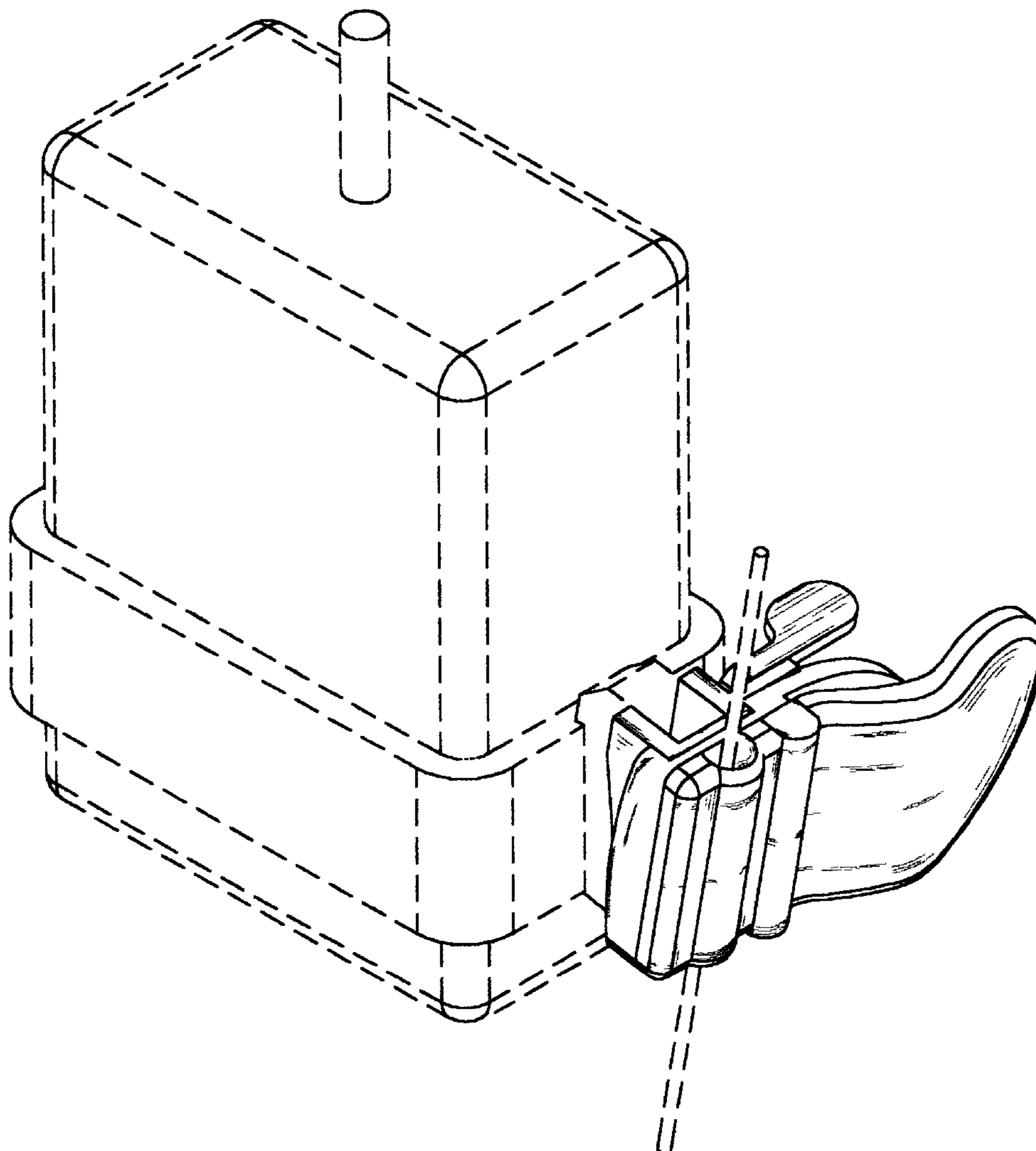
FIG. 6 is a bottom plan view thereof.

[56] **References Cited**

U.S. PATENT DOCUMENTS

D. 362,064	9/1995	Smick	D24/140
4,899,756	2/1990	Sonek	128/662.05
5,623,931	4/1997	Wung et al.	128/662.05
5,758,650	6/1998	Miller et al.	600/461

1 Claim, 3 Drawing Sheets



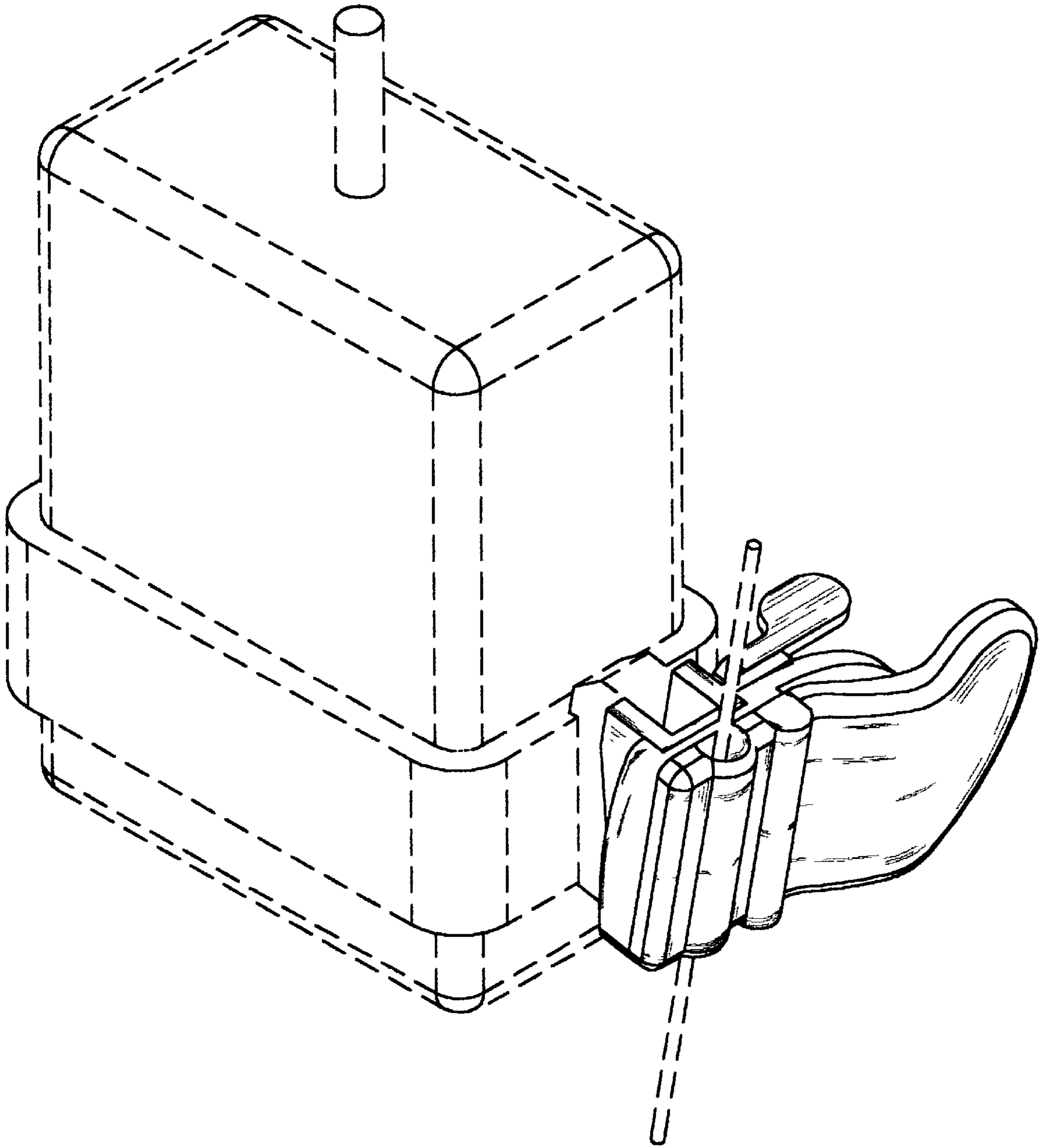


FIGURE 1

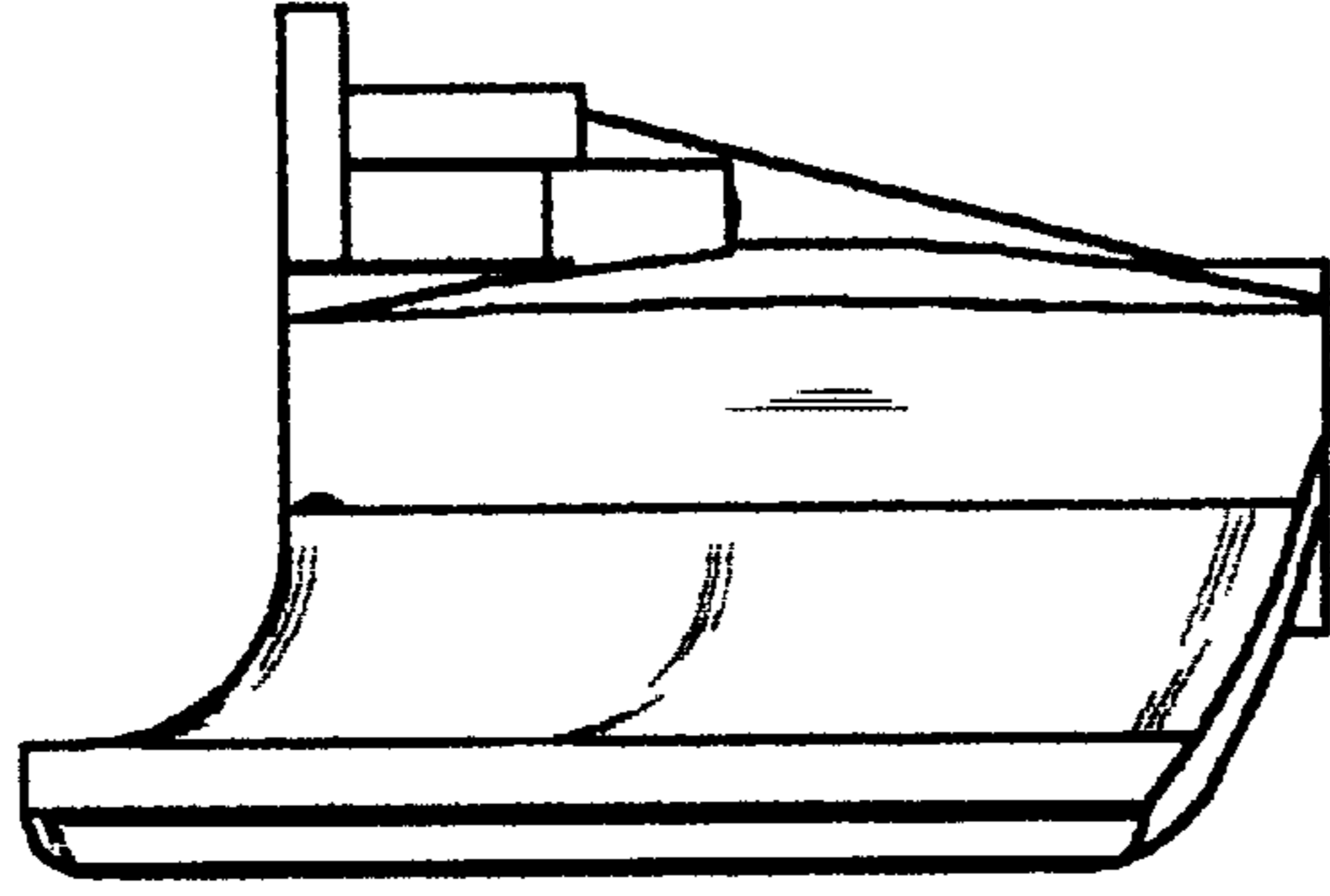


FIGURE 4

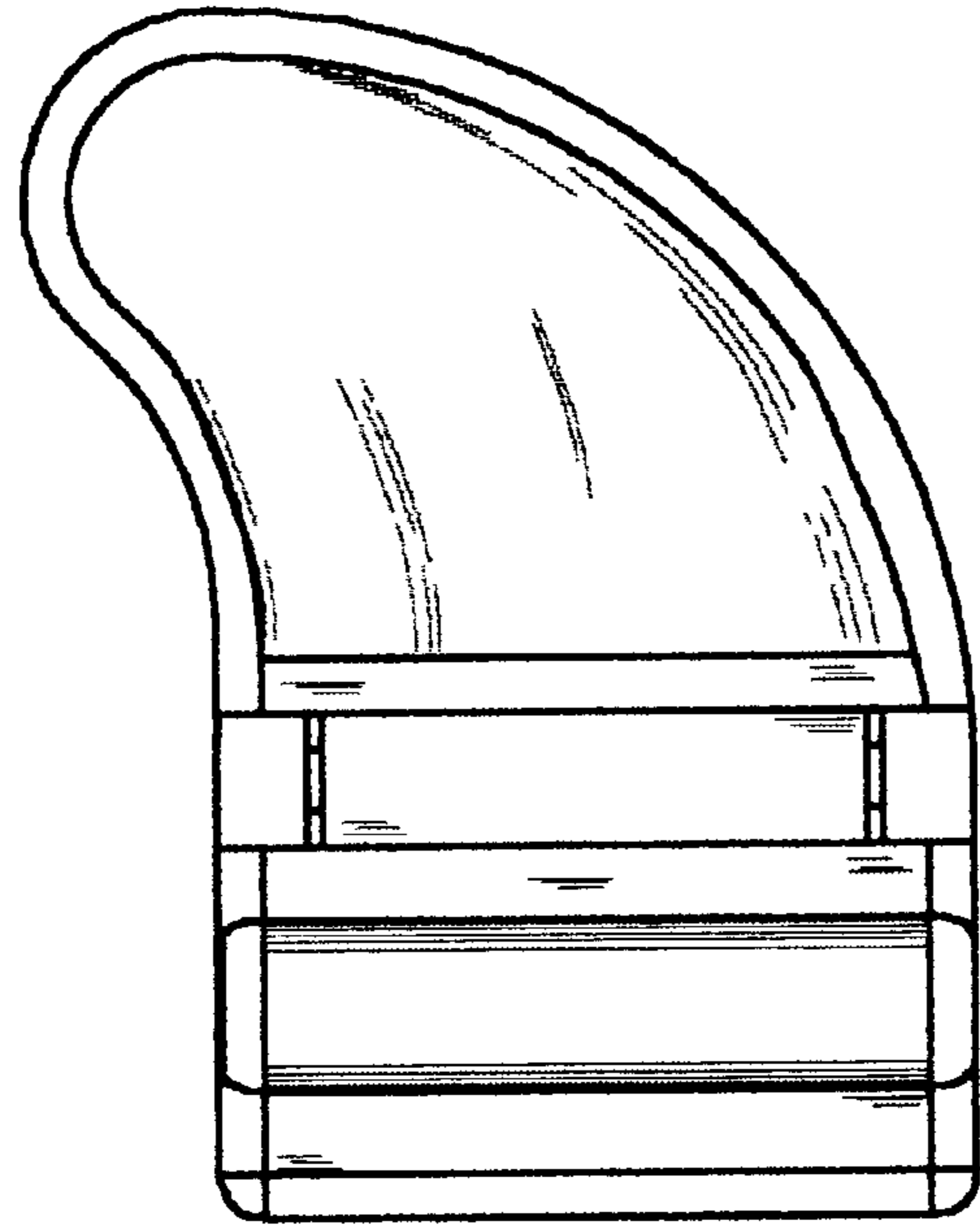


FIGURE 2

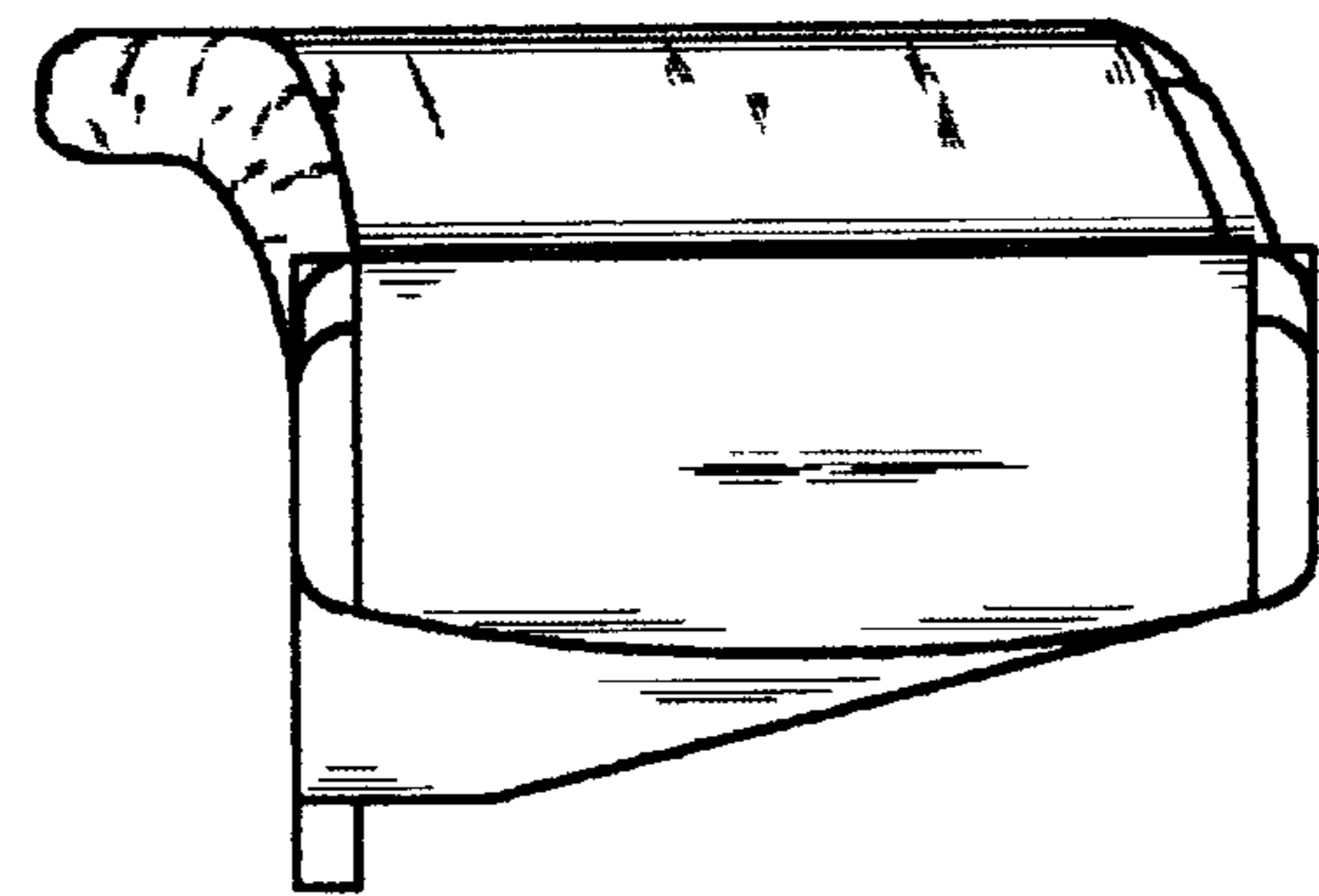


FIGURE 3

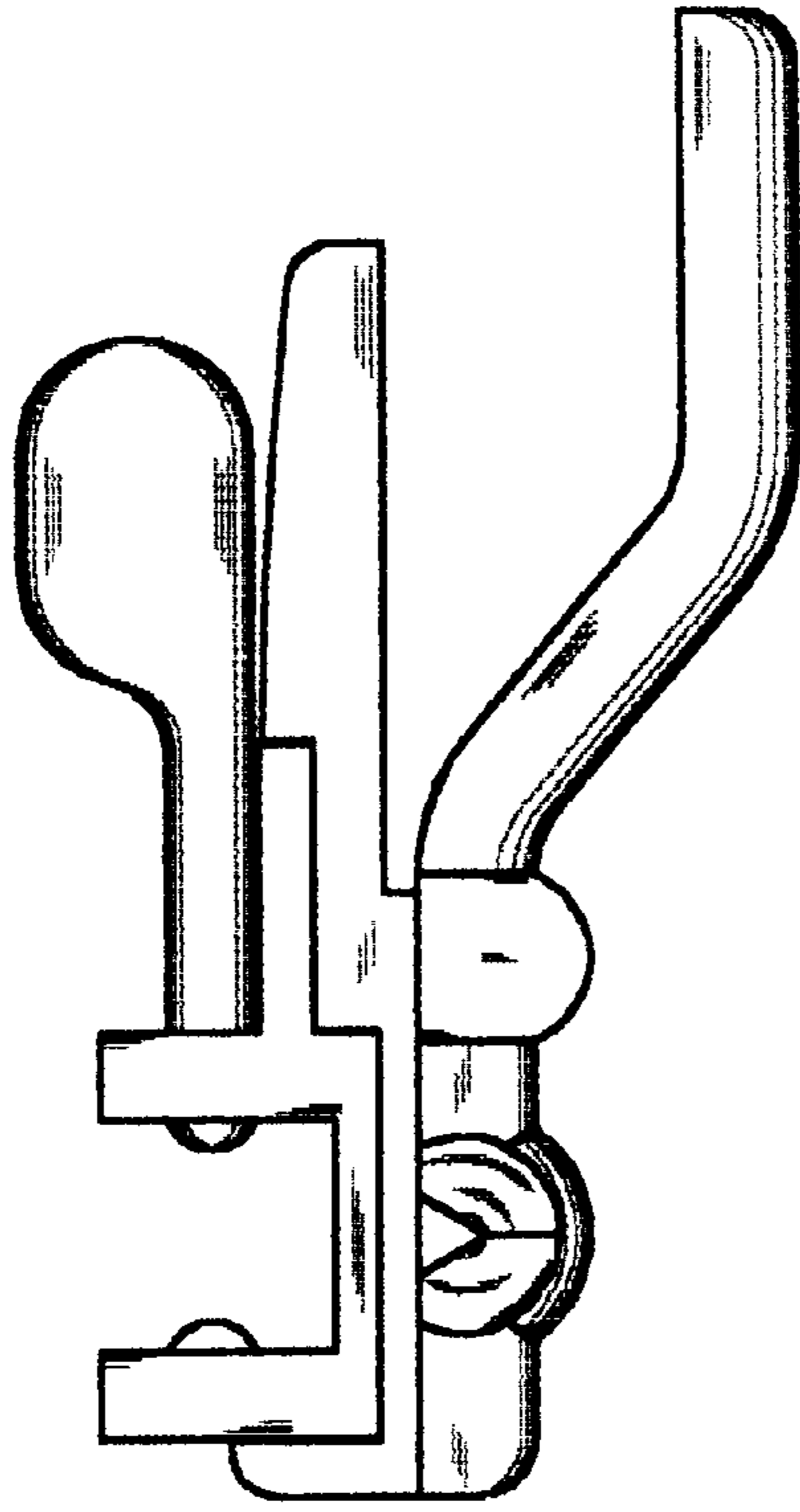


FIGURE 5

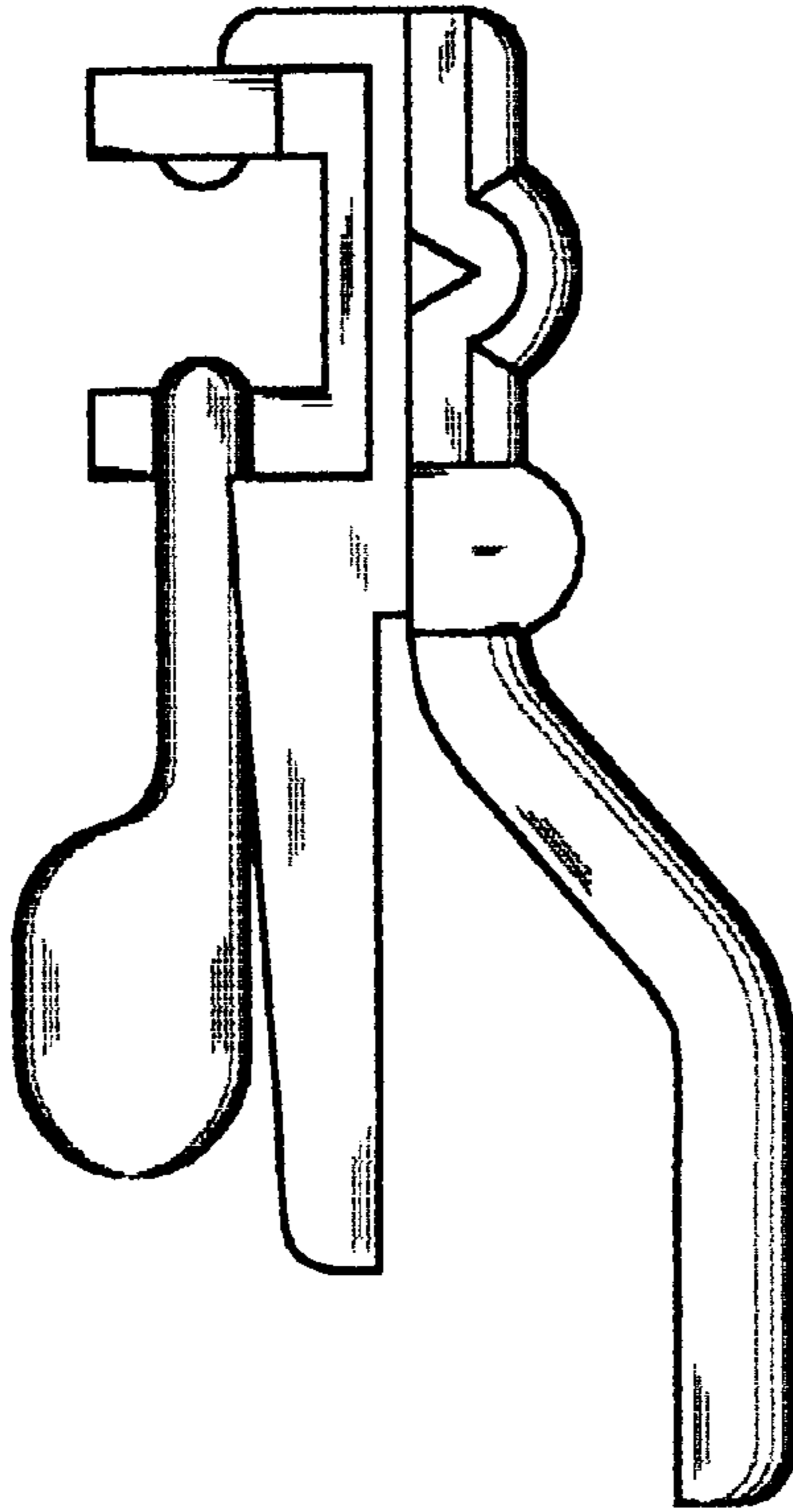


FIGURE 6