



US00D424692S

United States Patent [19]

Monaghan et al.

[11] Patent Number: **Des. 424,692**

[45] Date of Patent: **** May 9, 2000**

[54] **SYRINGE HOLDER**

[75] Inventors: **Martin Monaghan**, Evanston; **Janice Stewart**, Inverness; **Tom Stonis**, Crystal Lake; **Ron Hawes**, Deerfield; **Bill Hess**, Chicago; **Antonio Belton**, Hazelcrest, all of Ill.

[73] Assignee: **Baxter International Inc.**, Deerfield, Ill.

[**] Term: **14 Years**

[21] Appl. No.: **29/098,884**

[22] Filed: **Jan. 7, 1999**

[51] **LOC (7) Cl.** **24-02**

[52] **U.S. Cl.** **D24/128**

[58] **Field of Search** D24/128, 130, D24/229, 127; 604/263; 211/60.1, 74, 85.13, 85.18, 89.01, 71.01; 206/366, 369; 248/126, 130, 121, 125.1, 125.9

[56] **References Cited**

U.S. PATENT DOCUMENTS

D. 267,744 1/1983 Flynn D24/229

D. 324,569	3/1992	Seifert et al.	D24/130
4,304,382	12/1981	Jelen	248/220.42
4,846,803	7/1989	Emerson	604/263
4,979,945	12/1990	Wade et al.	604/263
5,979,675	11/1999	Moriarty	211/85.13

Primary Examiner—Ian Simmons
Attorney, Agent, or Firm—Francis C. Kowalik; Thomas D. Bratschun

[57] **CLAIM**

The ornamental design for a syringe holder, as shown and described.

DESCRIPTION

FIG. 1 is a perspective view of a syringe holder showing our new design;
FIG. 2 is a front elevational view thereof;
FIG. 3 is a left side elevational view thereof;
FIG. 4 is a right side elevational view thereof;
FIG. 5 is a top plan view thereof;
FIG. 6 is a bottom plan view thereof; and,
FIG. 7 is a rear elevational view thereof.

1 Claim, 4 Drawing Sheets

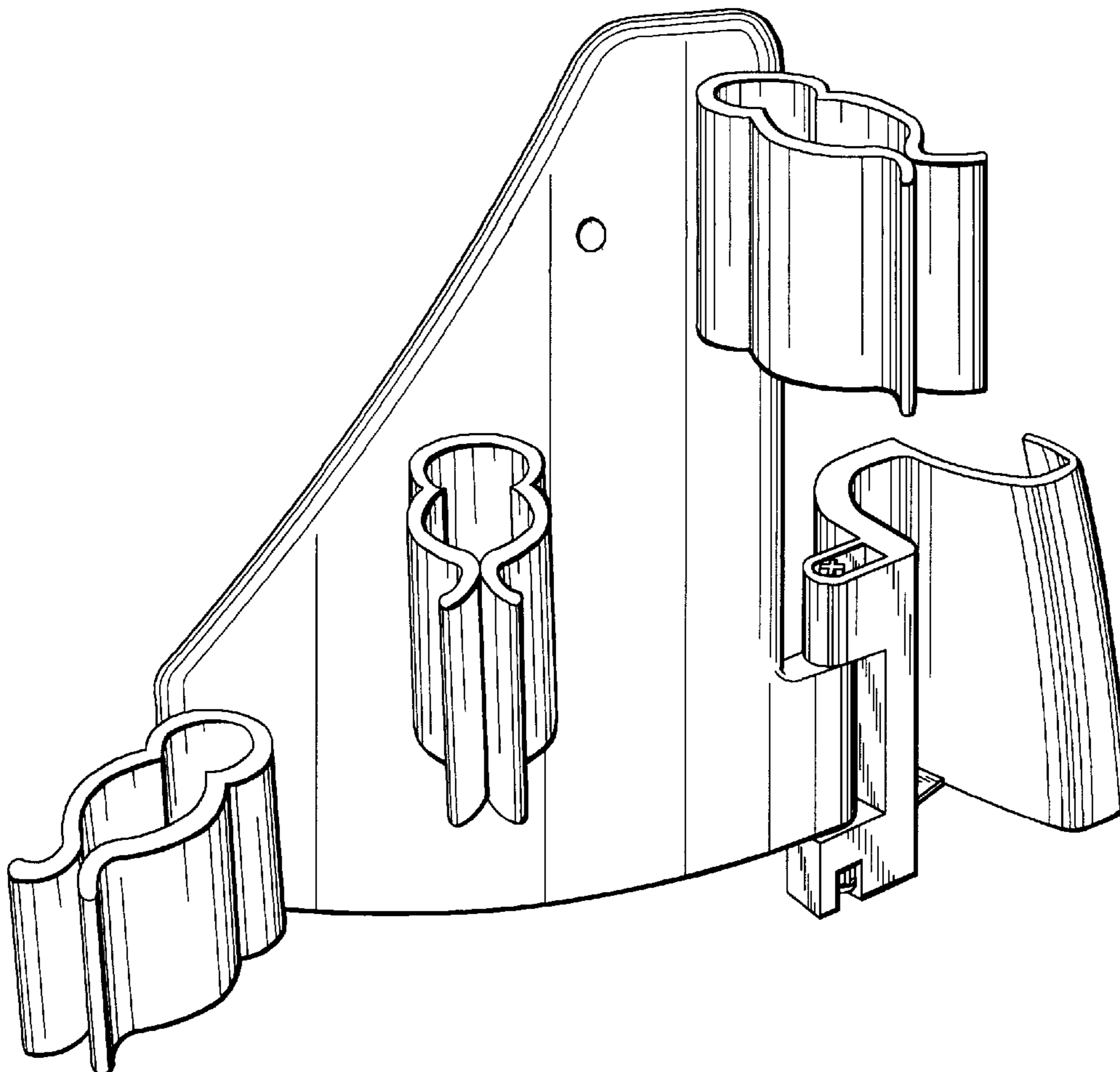


FIG. 1

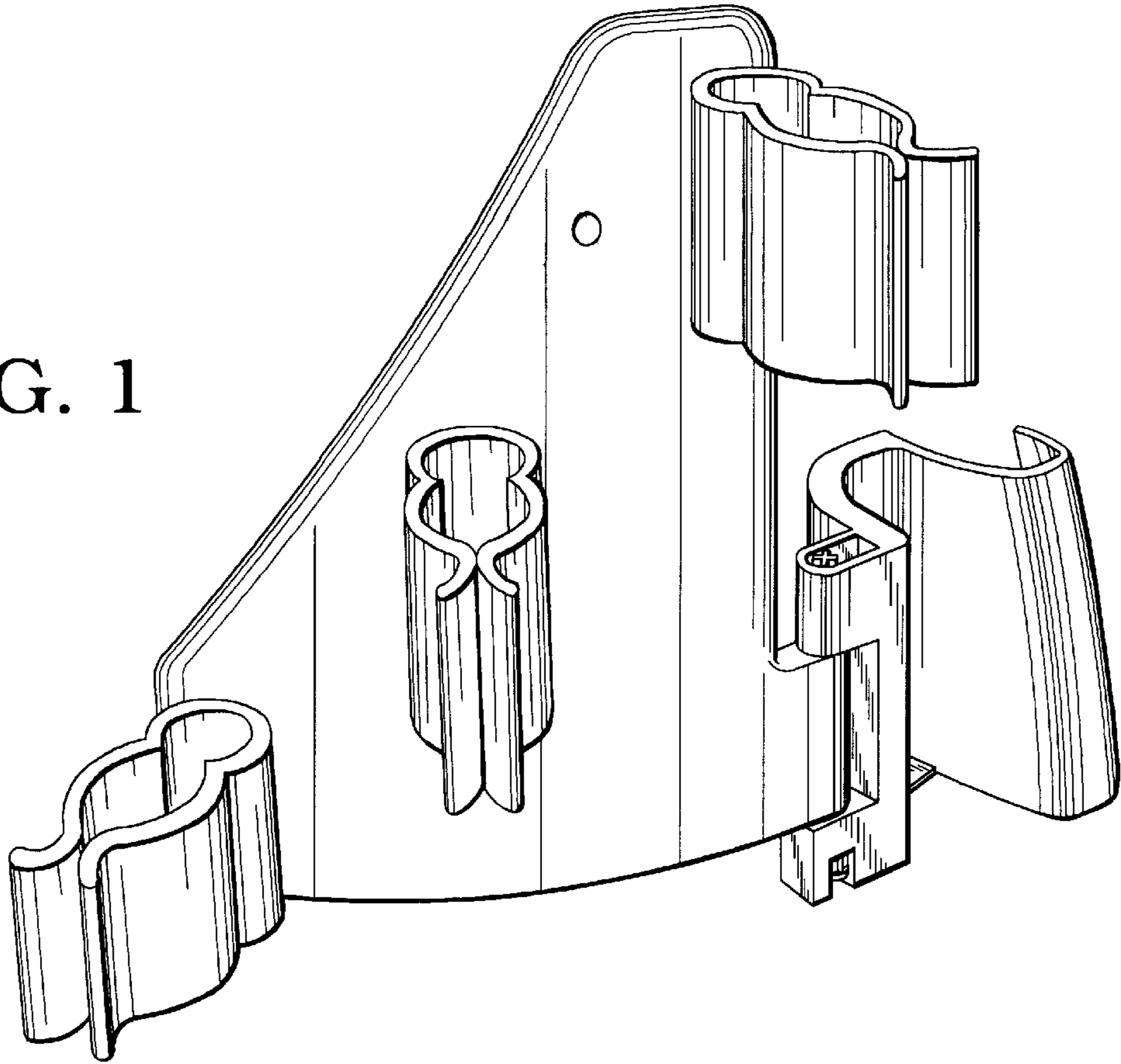
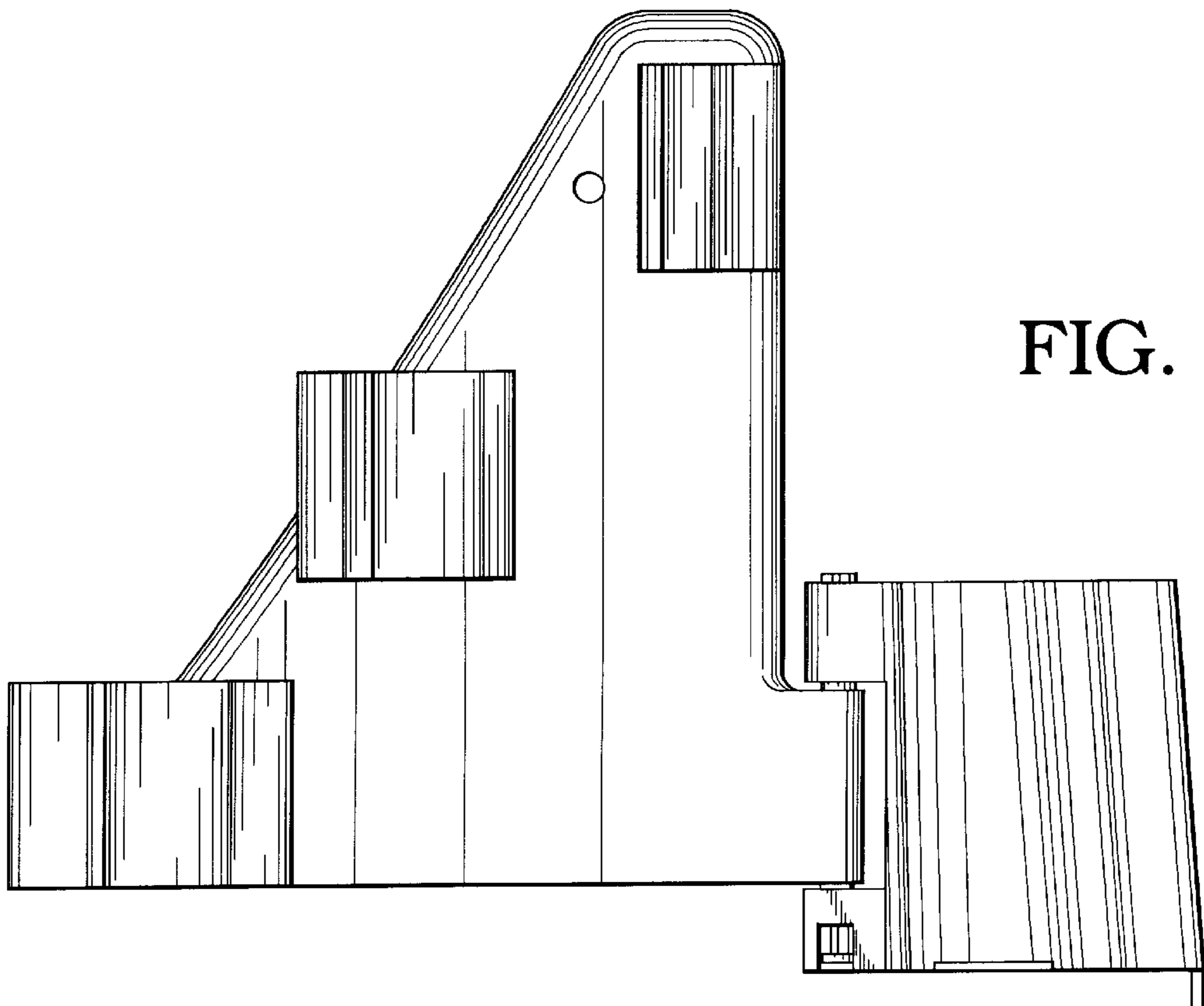


FIG. 2



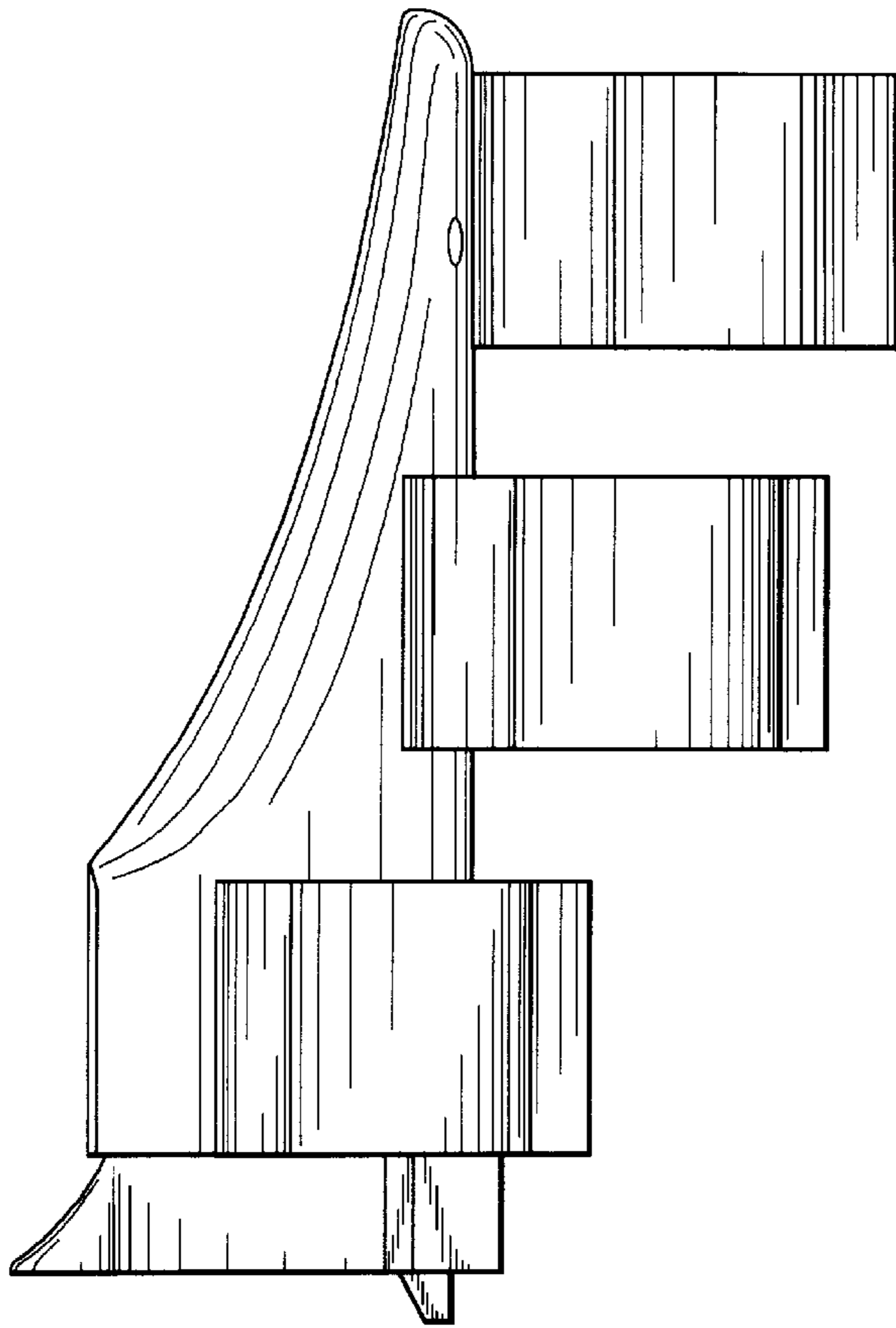


FIG. 3

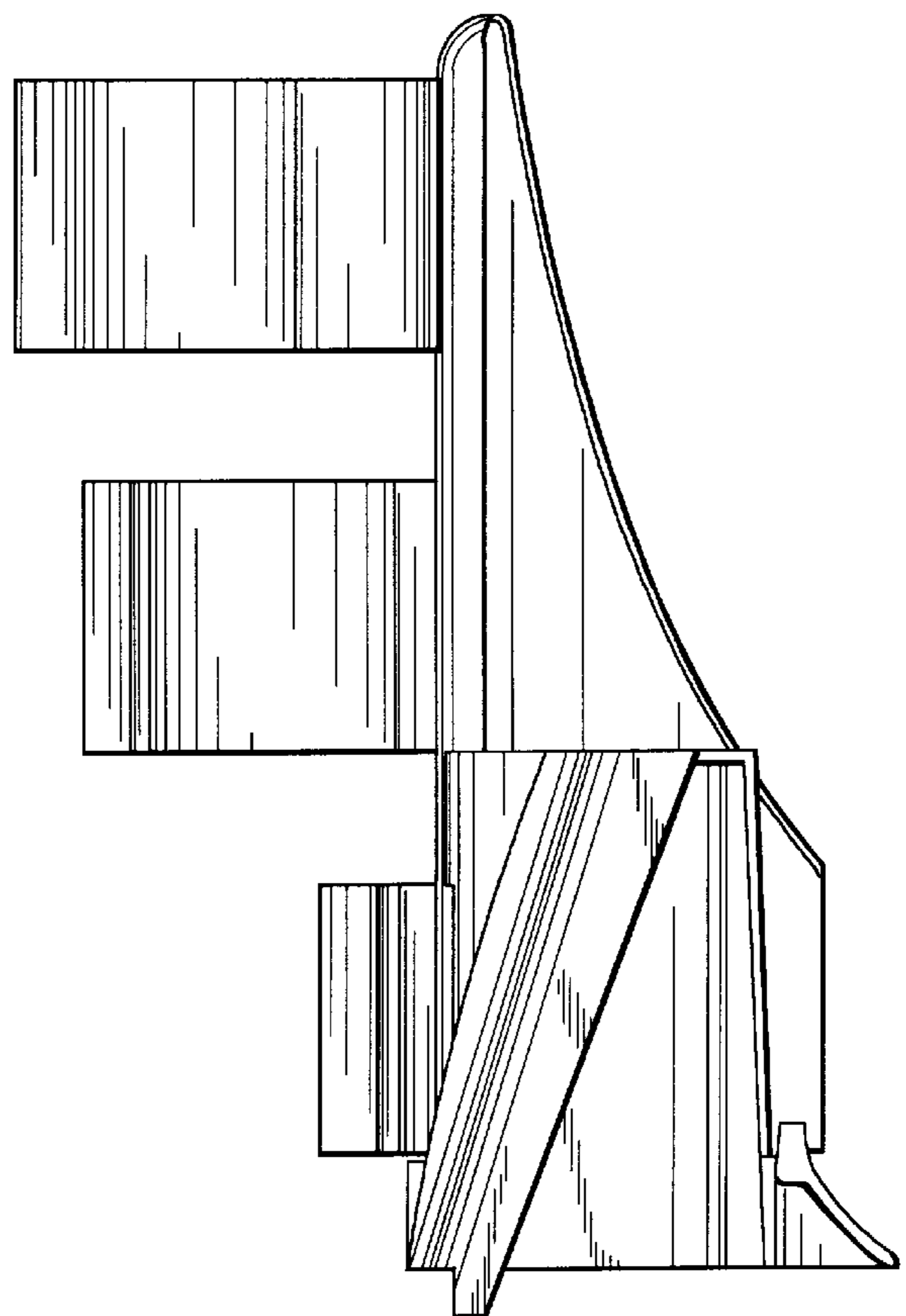


FIG. 4

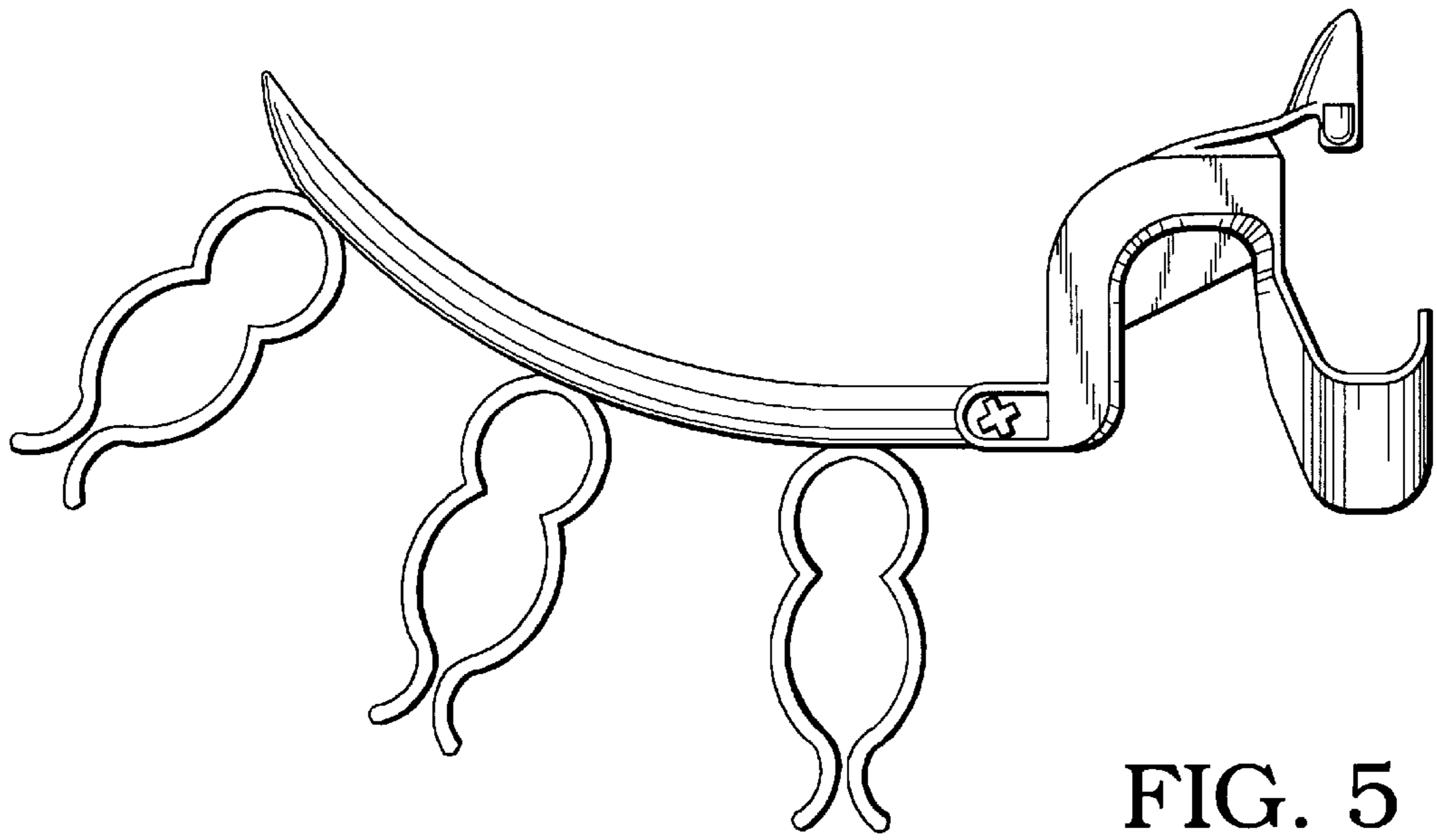


FIG. 5

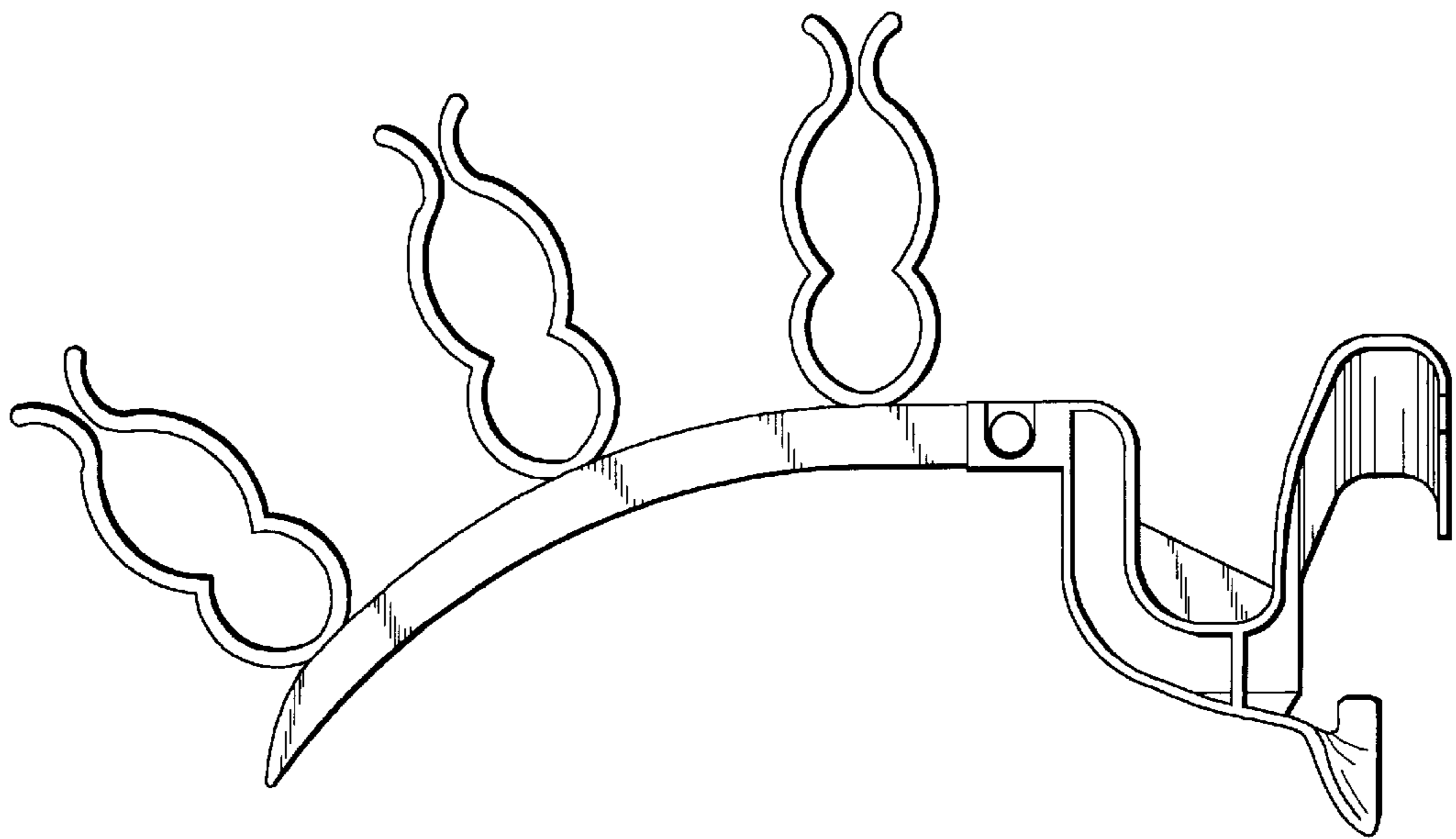


FIG. 6

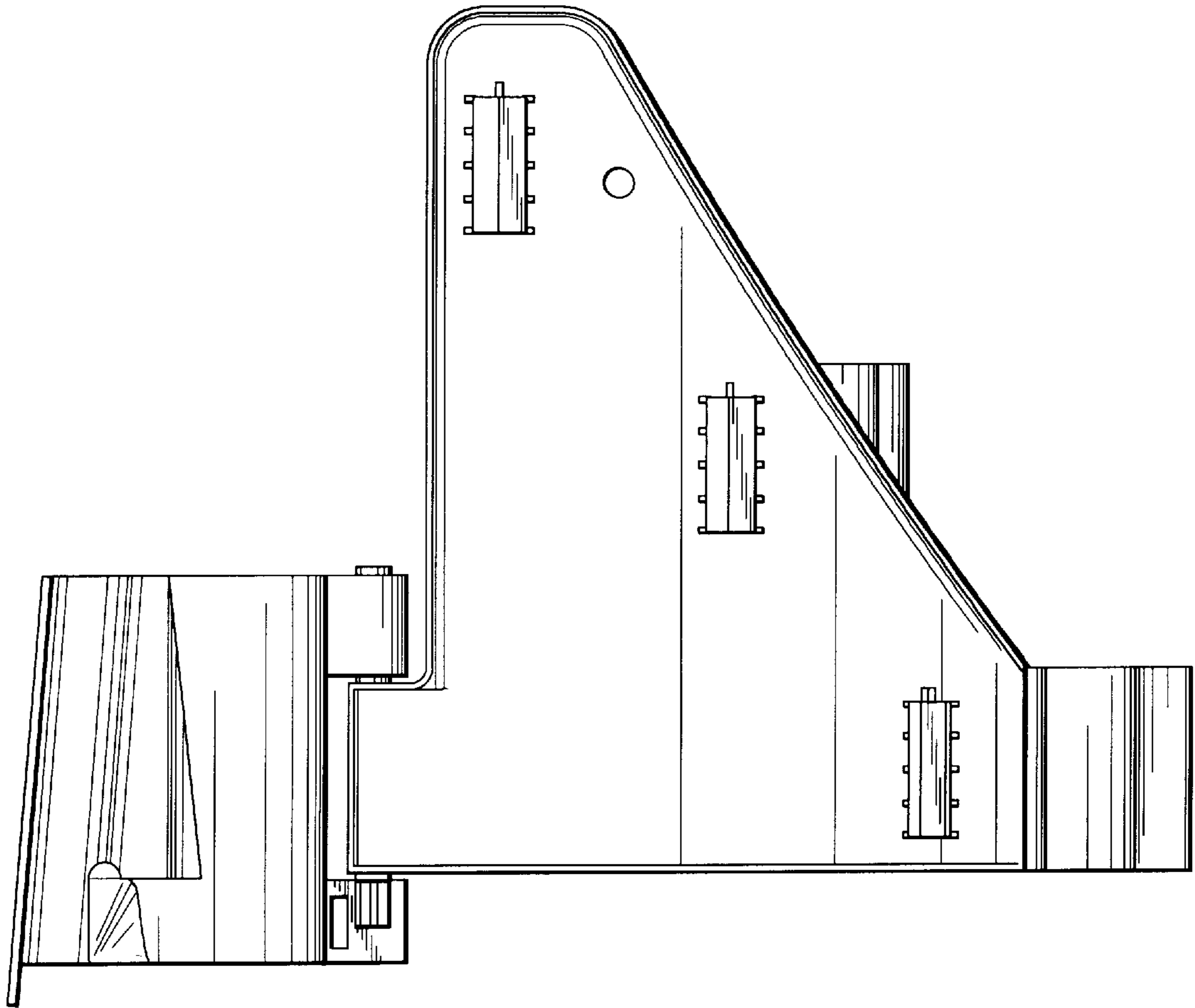


FIG. 7