



US00D424683S

# United States Patent [19]

[11] Patent Number: **Des. 424,683**

**Bellil et al.**

[45] Date of Patent: **\*\* May 9, 2000**

[54] **PORTABLE ELECTRIC FAN**

[75] Inventors: **Kimberly Bellil**, Holden, Mass.;  
**Jui-Shang Wang**, Taipei, Taiwan;  
**Kenneth David Harris, Jr.**, Boston;  
**James L. Pettingill**, Billerica, both of  
Mass.

[73] Assignee: **Honeywell Inc.**, Minneapolis, Minn.

[\*\*] Term: **14 Years**

[21] Appl. No.: **29/103,358**

[22] Filed: **Apr. 13, 1999**

[51] **LOC (7) Cl.** ..... **23-04**

[52] **U.S. Cl.** ..... **D23/381; D23/412**

[58] **Field of Search** ..... **D23/381, 412,**  
**D23/411, 370; 416/247 R, 246**

[56] **References Cited**

**U.S. PATENT DOCUMENTS**

D. 309,182	7/1990	Hsu	.....	D23/382
D. 312,124	11/1990	Coup et al.	.....	D23/382
D. 323,708	2/1992	Wang	.....	D23/382
D. 326,318	5/1992	Coup et al.	.....	D23/335
D. 329,089	9/1992	Coup et al.	.....	D23/382
D. 344,583	2/1994	Hsu	.....	D23/412
D. 346,019	4/1994	Cheslock et al.	.....	D23/382

D. 352,775	11/1994	Radke, Jr.	.....	D23/382
D. 369,403	4/1996	Reveal et al.	.....	D23/381
D. 405,520	2/1999	Birdsell et al.	.....	D23/382
D. 408,907	4/1999	Moreno	.....	D23/412

**OTHER PUBLICATIONS**

Appln. No. 29/089,973, filed Jun. 26, 1998; Lozzio et al.  
Appln. No. 29/036,708, filed Mar. 24, 1995; Jané et al.  
1994 Duracraft catalog sheet for DB-10 box fan.

*Primary Examiner*—Lisa Lichtenstein  
*Attorney, Agent, or Firm*—Robert B. Leonard

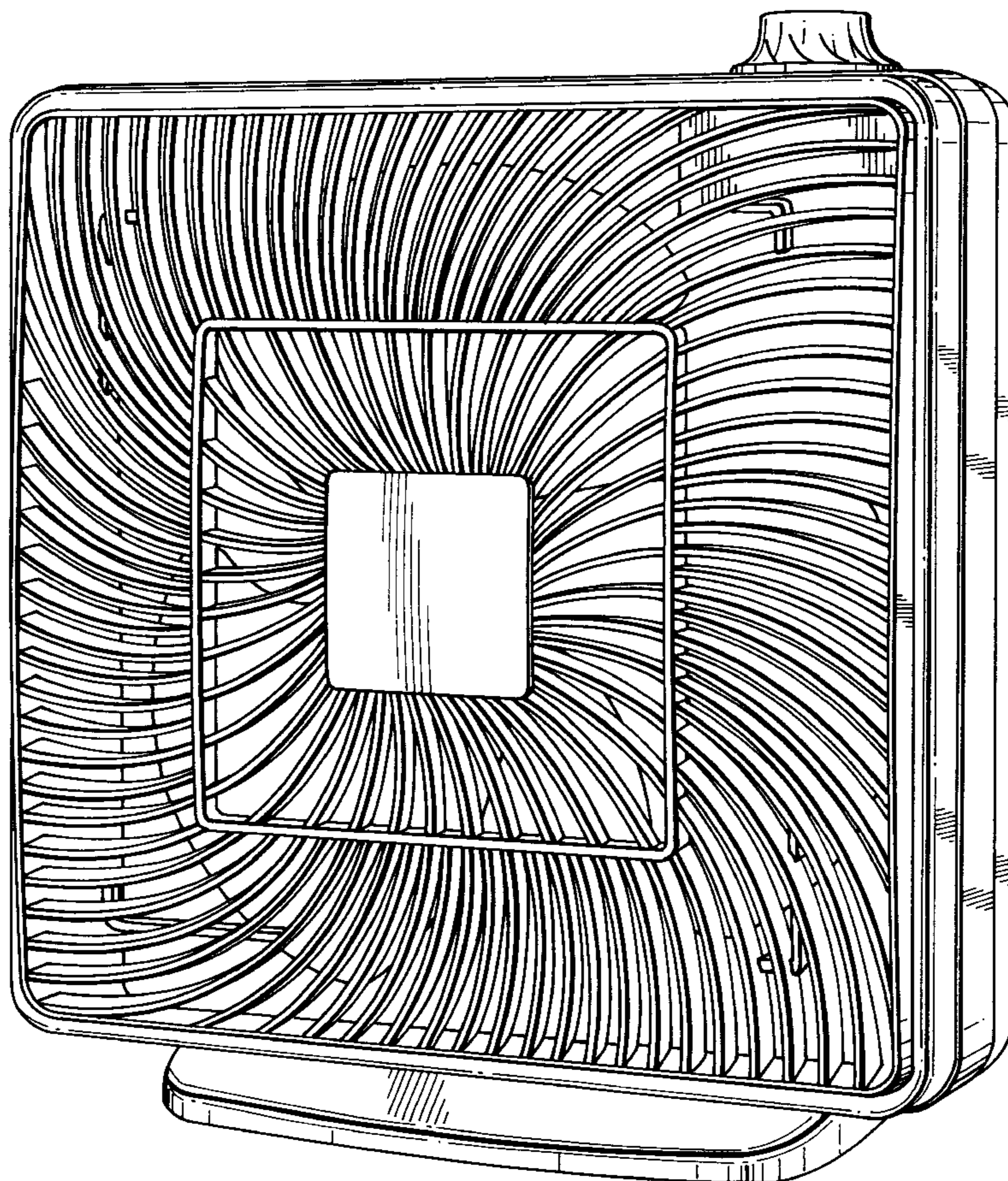
[57] **CLAIM**

The ornamental design for a portable electric fan, as shown and described.

**DESCRIPTION**

FIG. 1 is a front perspective view of a fan showing our design.  
FIG. 2 is a front elevational view of the fan shown in FIG. 1.  
FIG. 3 is a rear elevational view of the fan shown in FIG. 1.  
FIG. 4 is a left side elevational view of the fan shown in FIG. 1, the right side being a mirror image of the left side view.  
FIG. 5 is a top plan view of the fan shown in FIG. 1; and, FIG. 6 is a bottom plan view of the fan shown in FIG. 1.

**1 Claim, 6 Drawing Sheets**



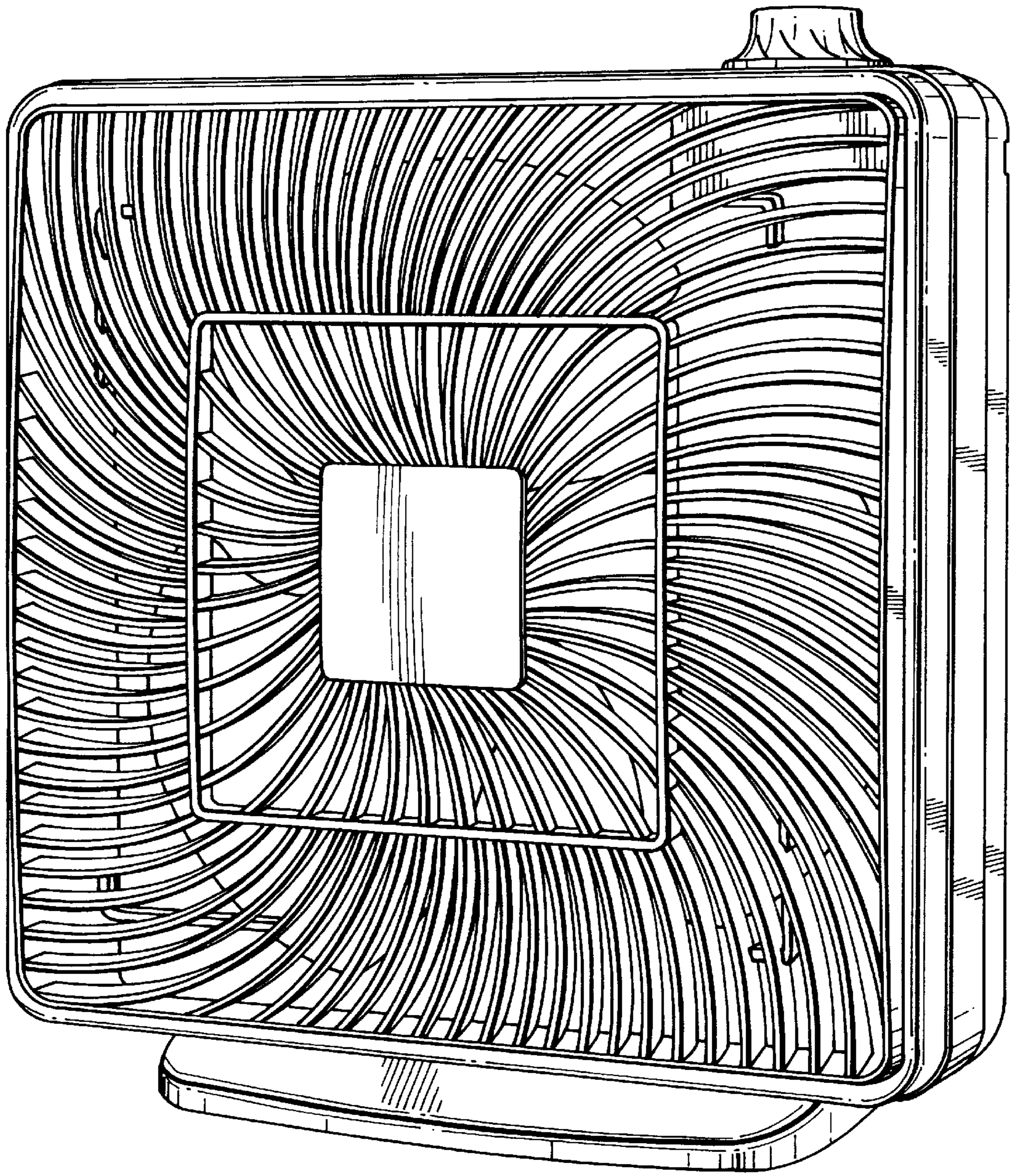


FIG.1

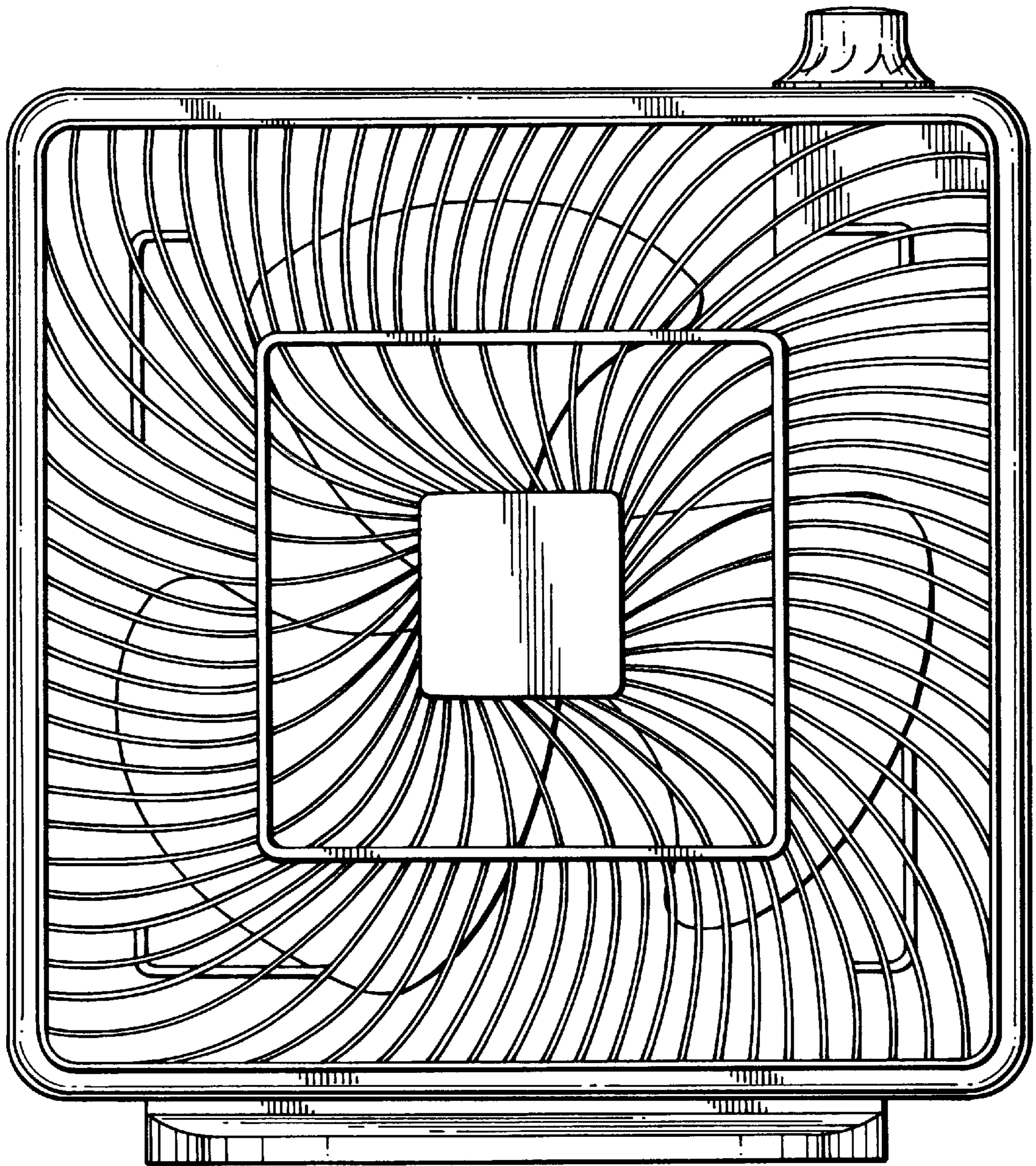


FIG. 2

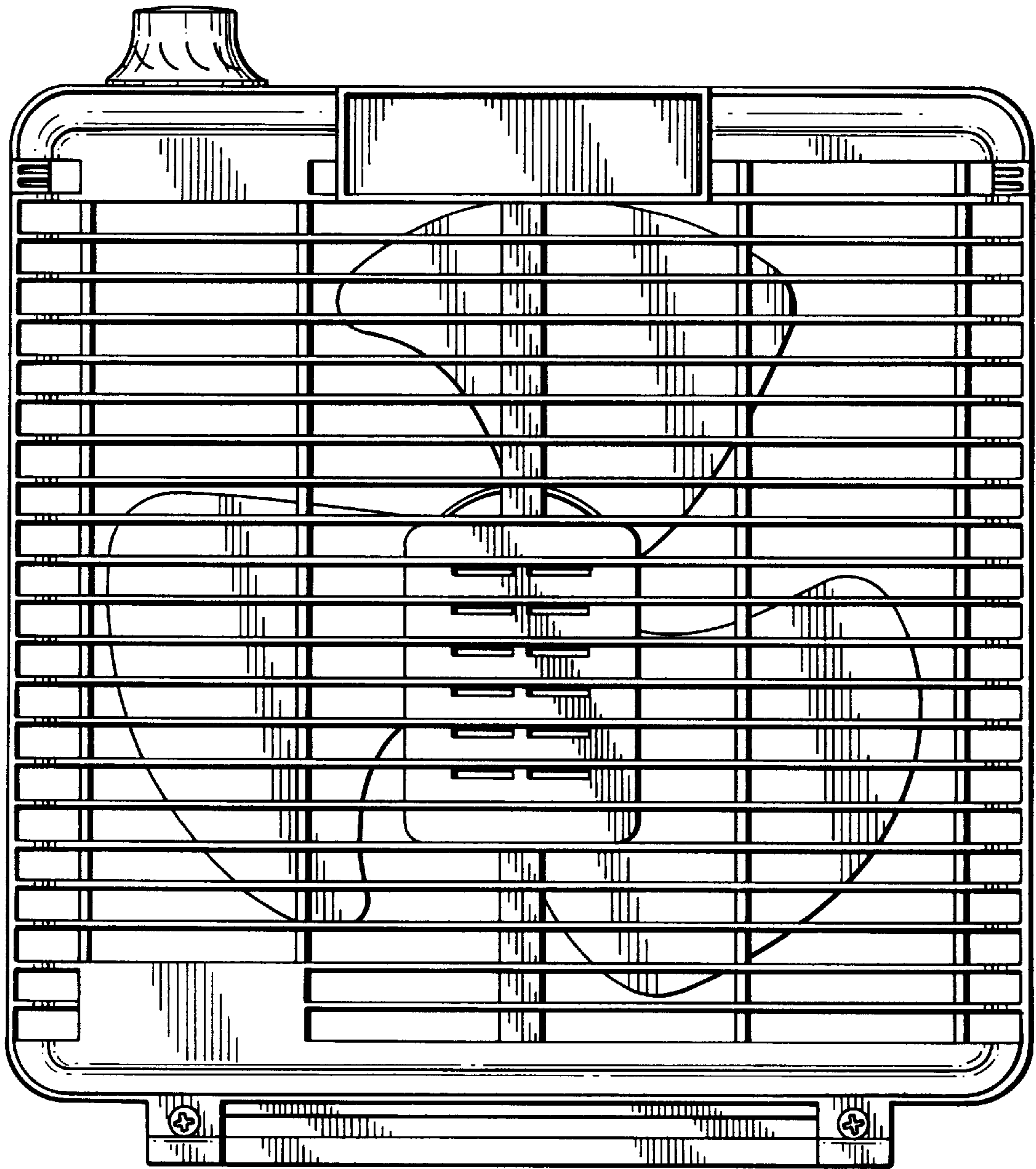


FIG. 3

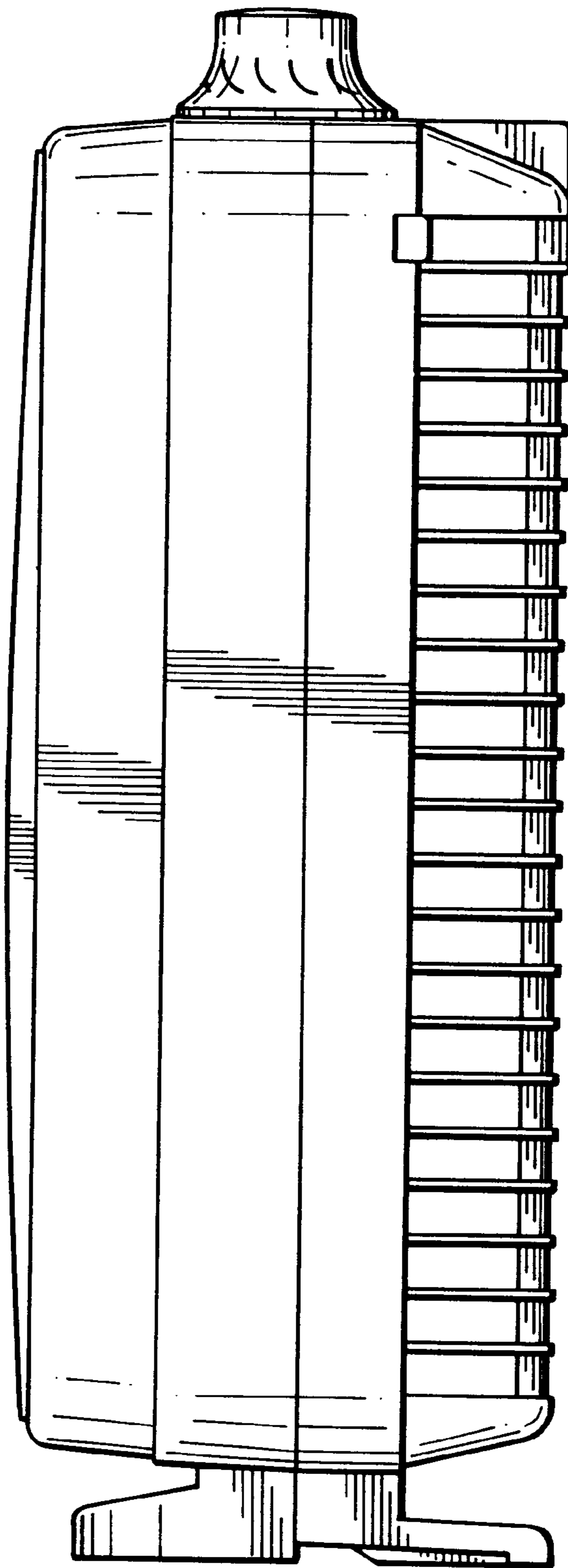


FIG. 4

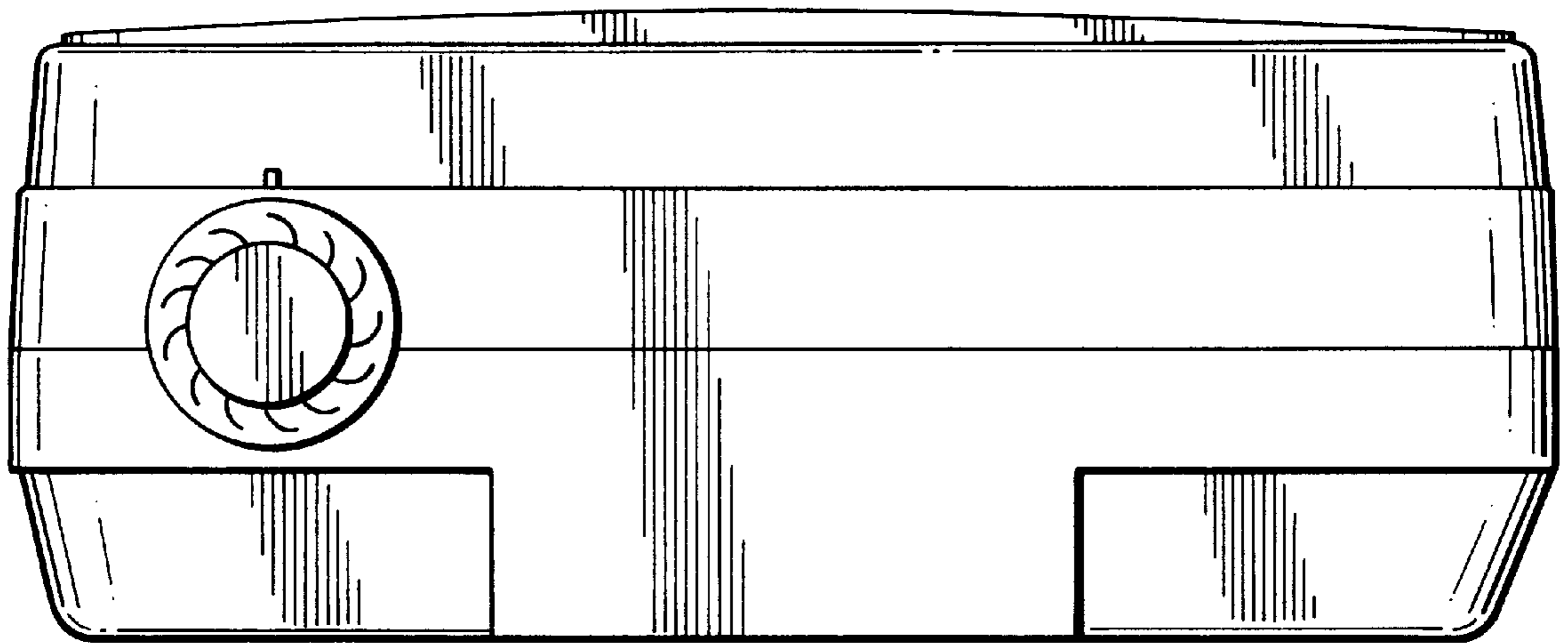


FIG. 5

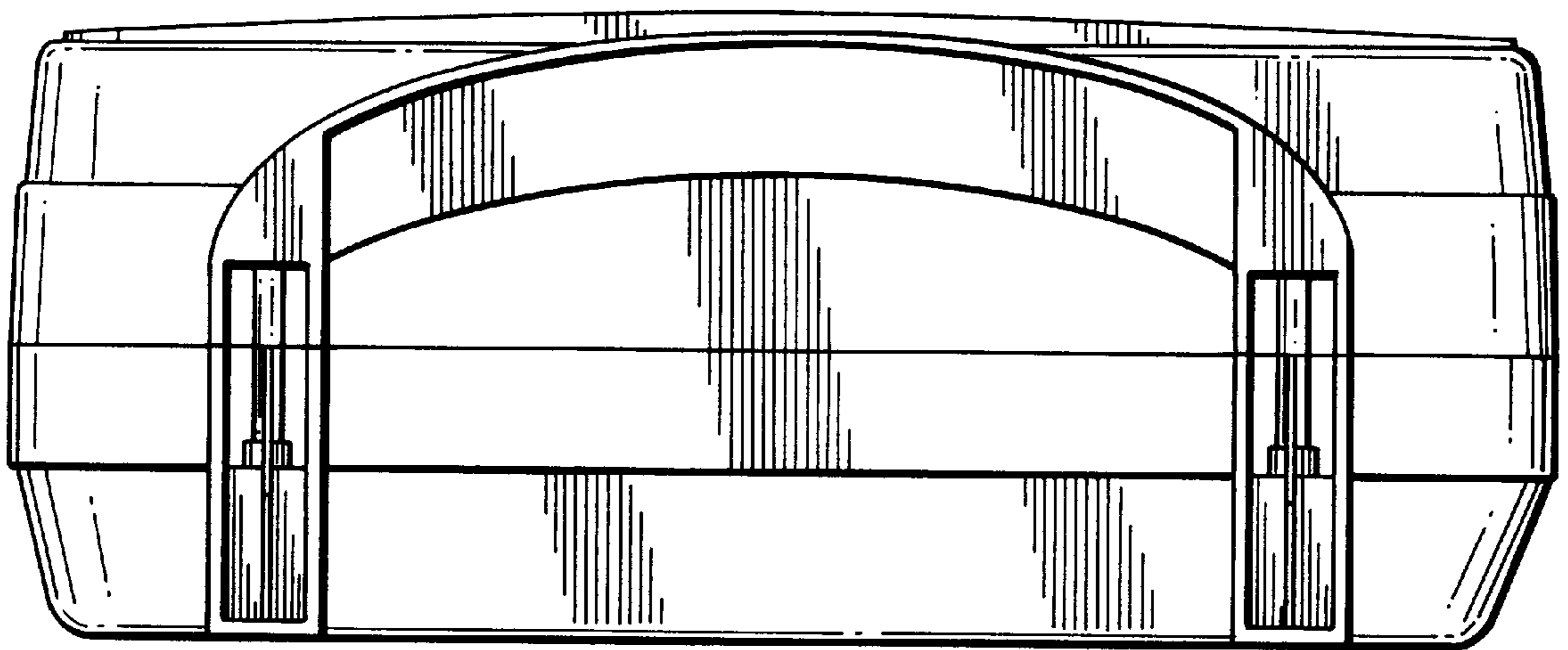


FIG. 6