



US00D424681S

United States Patent [19]

Lozzio et al.

[11] Patent Number: Des. 424,681

[45] Date of Patent: ** May 9, 2000

[54] PORTABLE STAND FAN

[75] Inventors: Christopher Lozzio, Medway, Mass.; Stephen M. Gatchell, Warwick, R.I.; Michael S. Sullivan, Boston, Mass.; Jui-Shang Wang, Taipei, Taiwan; Kenneth David Harris, Jr., Boston; James L. Pettingill, Billerica, both of Mass.

[73] Assignee: Honeywell Inc., Minneapolis, Minn.

[**] Term: 14 Years

[21] Appl. No.: 29/102,163

[22] Filed: Mar. 18, 1999

[51] LOC (7) Cl. 23-04

[52] U.S. Cl. D23/378; D23/381; D23/382

[58] Field of Search D23/378, 381, D23/382, 370; 416/247 R, 246, 244 R; 248/676

[56] **References Cited**

U.S. PATENT DOCUMENTS

D. 309,182	7/1990	Hsu	D23/382
D. 312,124	11/1990	Coup et al.	D23/382
D. 323,708	2/1992	Wang	D23/382
D. 326,318	5/1992	Coup et al.	D23/335
D. 329,089	9/1992	Coup et al.	D23/382
D. 344,583	2/1994	Hsu	D23/412

D. 346,019	4/1994	Cheslock et al.	D23/382
D. 405,520	2/1999	Birdsell et al.	D23/382
D. 414,858	10/1999	Litvin et al.	D23/378

OTHER PUBLICATIONS

Owner's Guide, Holmes Power Heater (Model HFH-298) Appln. No. 29/089,973, filed Jun. 26, 1998; Lozzio et al.

Primary Examiner—Lisa Lichtenstein
Attorney, Agent, or Firm—Robert B. Leonard

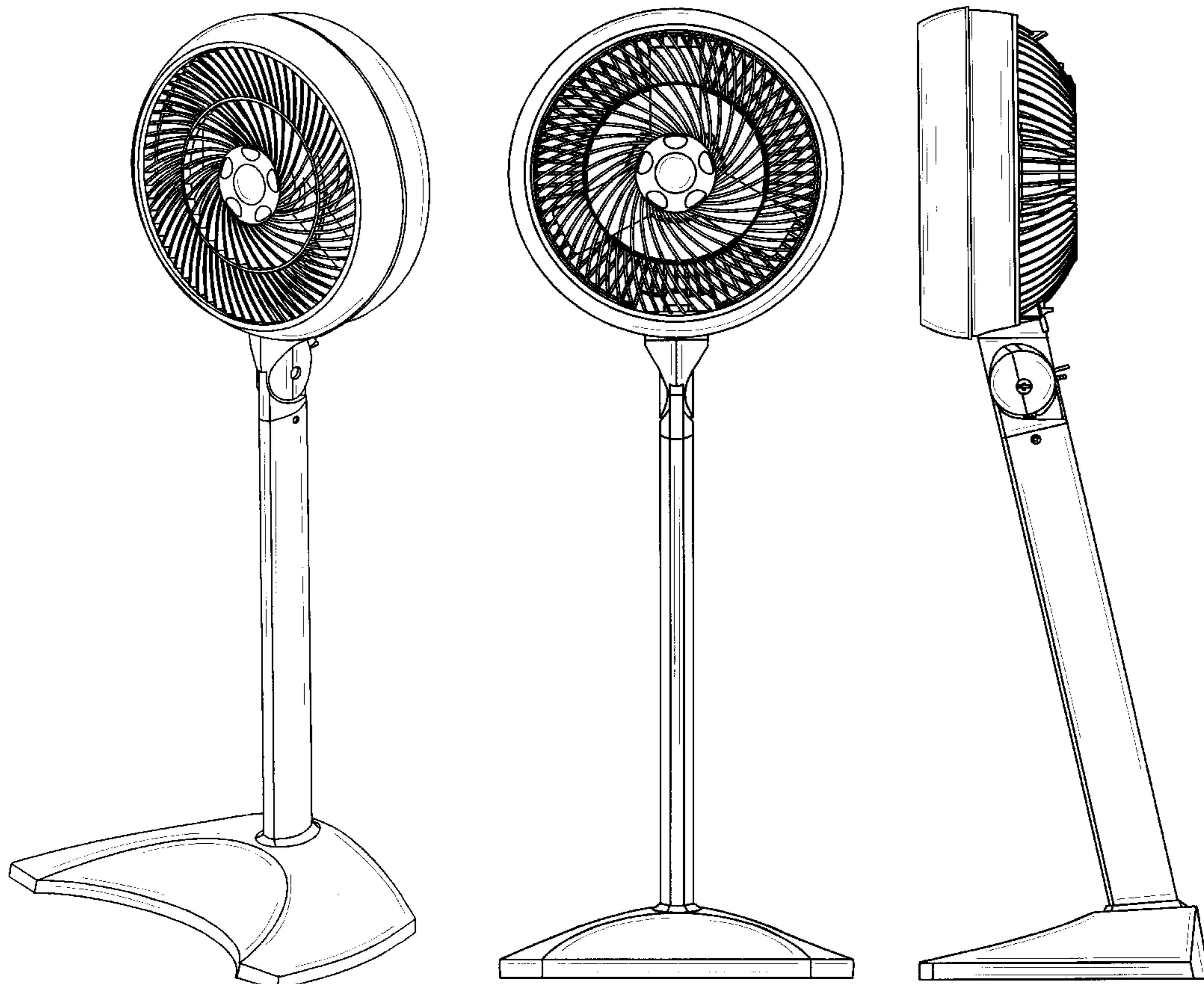
[57] **CLAIM**

The ornamental design for a portable stand fan, as shown and described.

DESCRIPTION

FIG. 1 is a front perspective view of a stand fan showing our design.
FIG. 2 is a front elevational view of the stand fan shown in FIG. 1.
FIG. 3 is a rear elevational view of the stand fan shown in FIG. 1.
FIG. 4 is a left side elevational view of the stand fan shown in FIG. 1, the right side being a mirror image of the left side view.
FIG. 5 is an enlarged top plan view of the stand fan shown in FIG. 1; and,
FIG. 6 is an enlarged bottom plan view of the stand fan shown in FIG. 1.

1 Claim, 6 Drawing Sheets



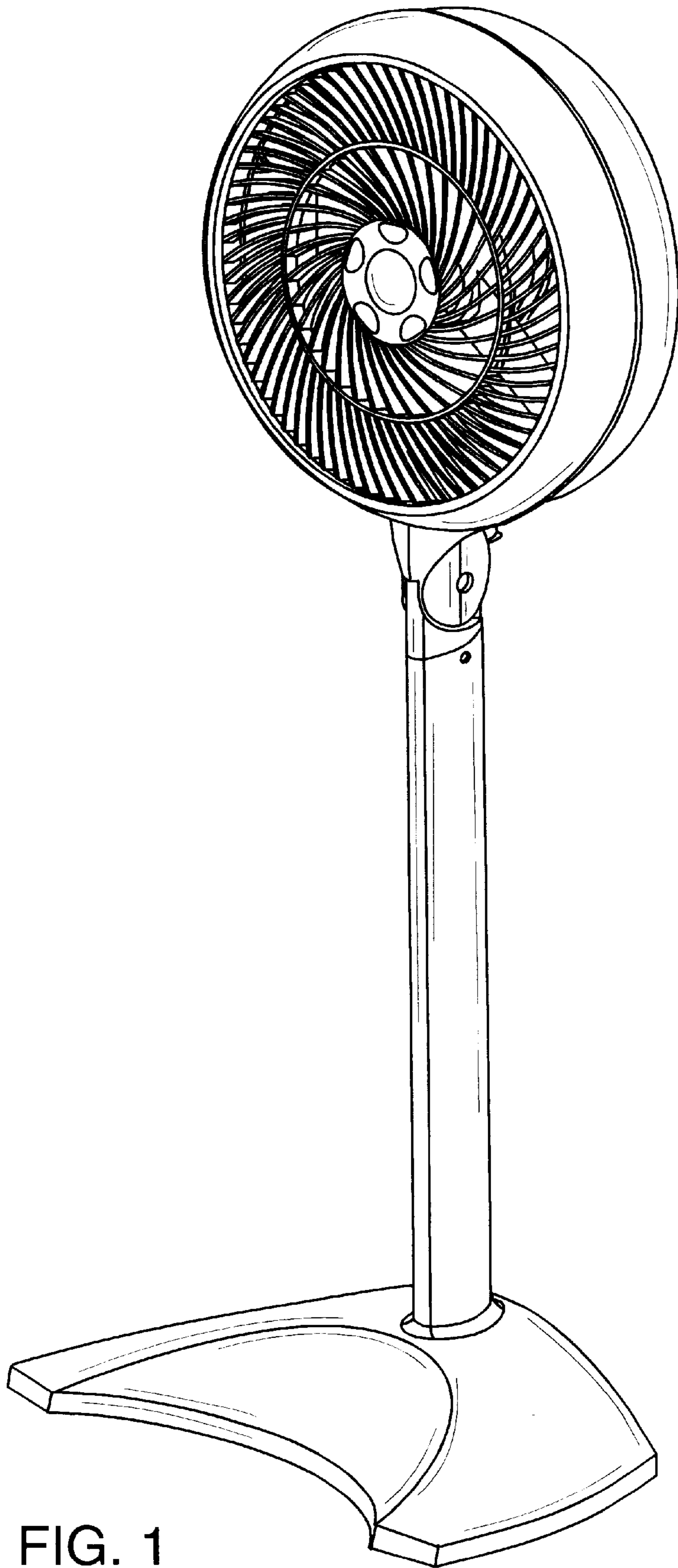


FIG. 1

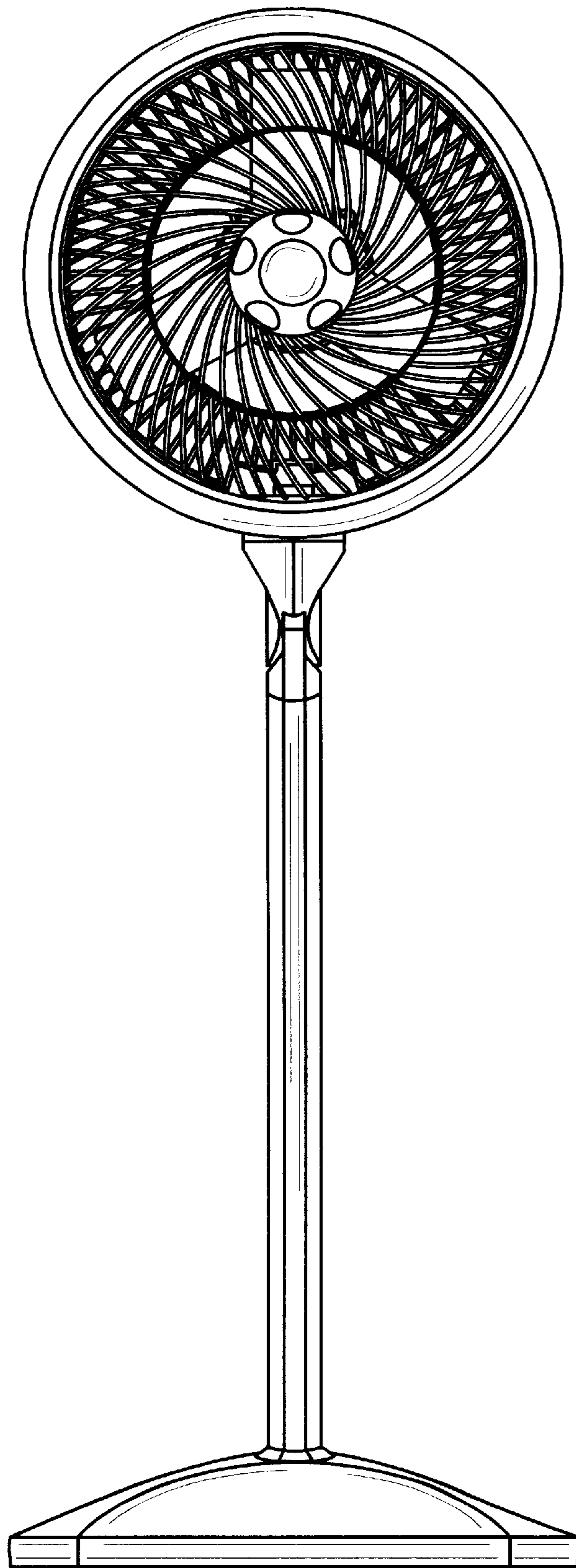


FIG. 2

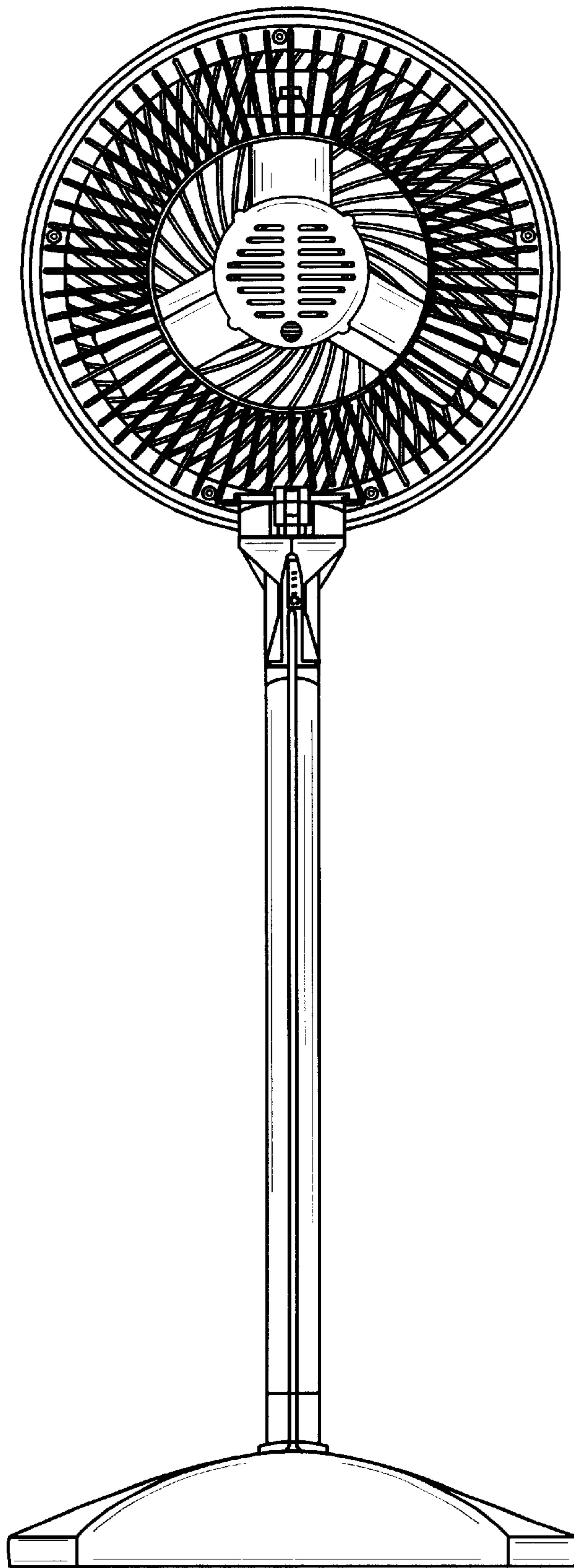


FIG. 3

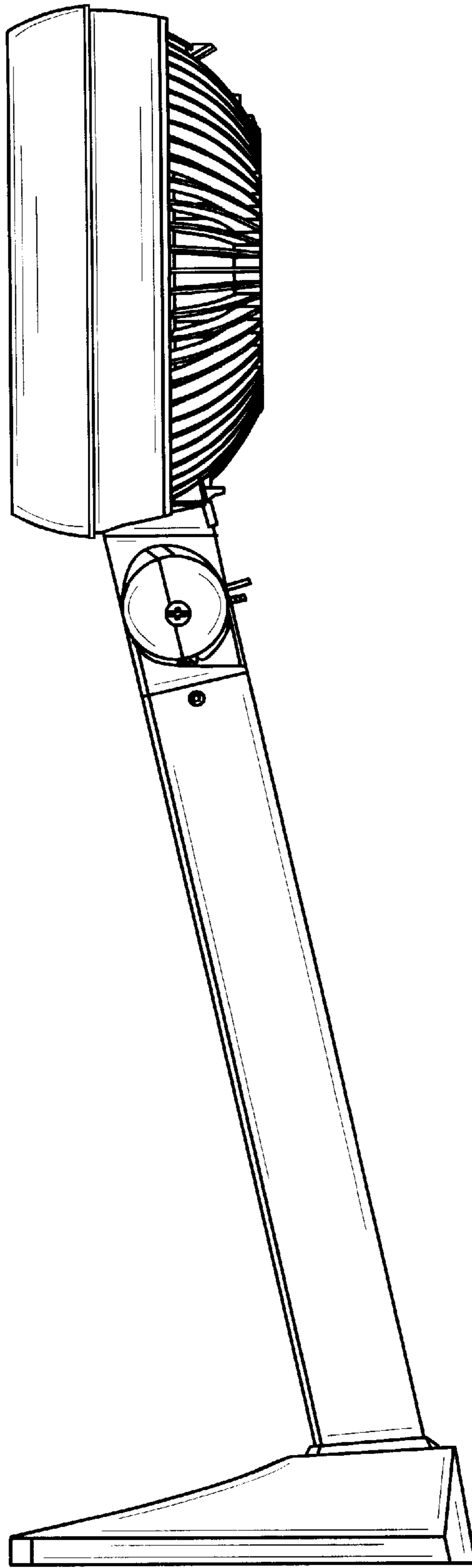


FIG. 4

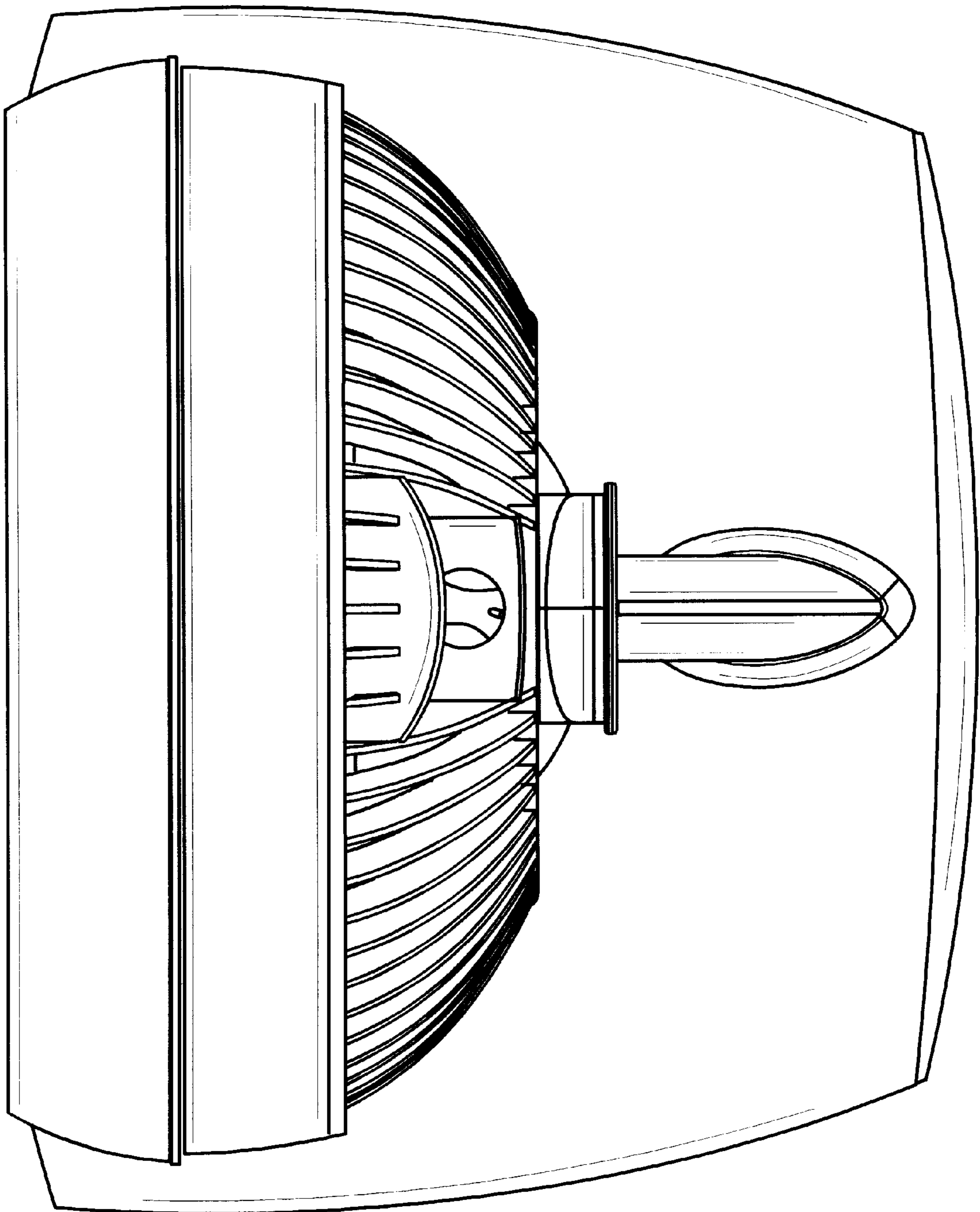


FIG. 5

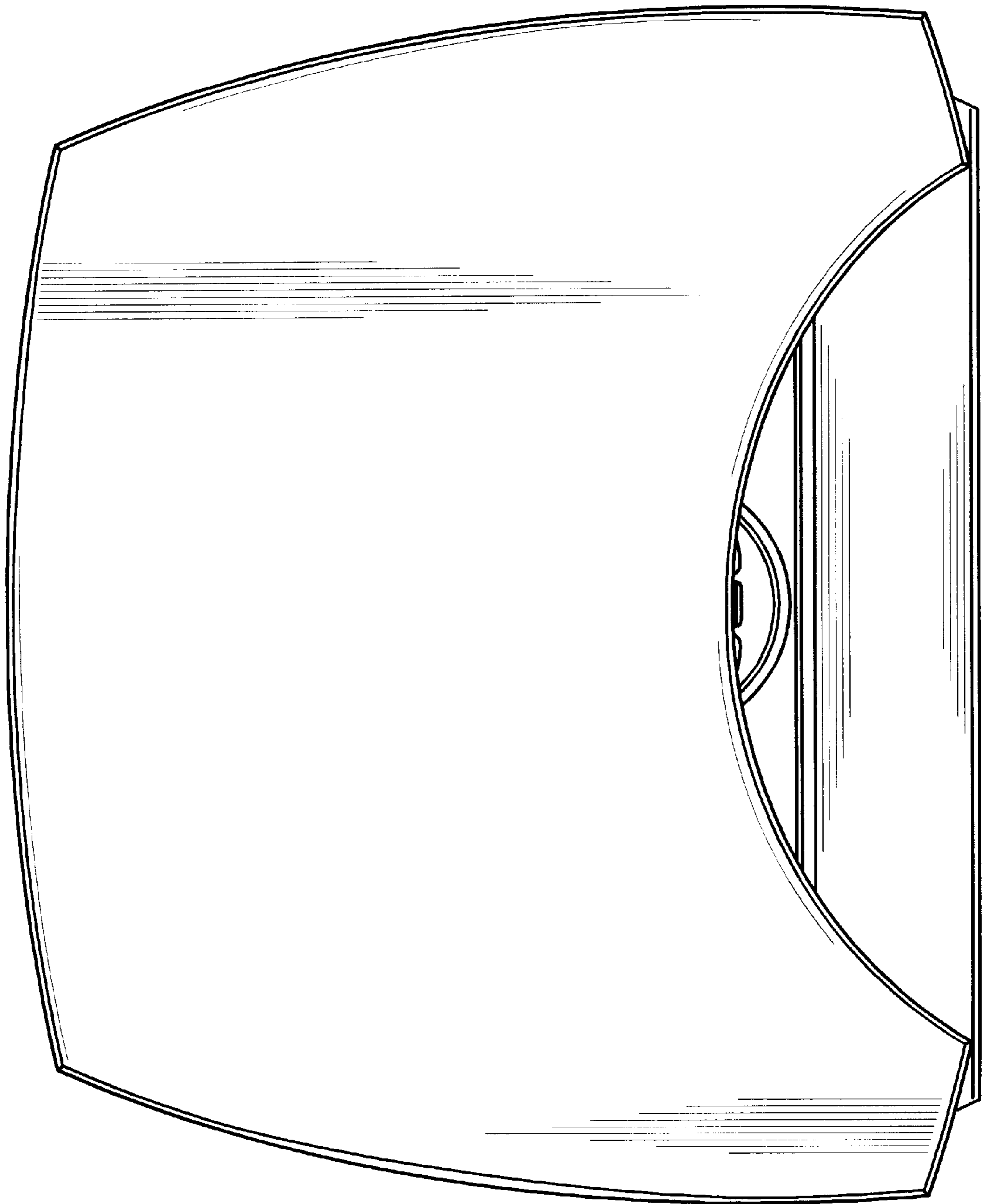


FIG. 6