



US00D424679S

# United States Patent [19] LaSpina

[11] Patent Number: **Des. 424,679**

[45] Date of Patent: **\*\* May 9, 2000**

[54] **COMBINED CEILING FAN AND LIGHT  
FIXTURE**

D. 405,172 2/1999 LaSpina et al. .... D23/377

[75] Inventor: **Alfred J. LaSpina**, Methuen, Mass.

*Primary Examiner*—Lisa Lichtenstein  
*Attorney, Agent, or Firm*—Robert B. Leonard

[73] Assignee: **Honeywell Inc.**, Minneapolis, Minn.

[57] **CLAIM**

[\*\*] Term: **14 Years**

The ornamental design for a combined ceiling fan and light fixture, as shown.

[21] Appl. No.: **29/093,514**

**DESCRIPTION**

[22] Filed: **Sep. 11, 1998**

[51] **LOC (7) Cl.** ..... **23-04**

[52] **U.S. Cl.** ..... **D23/377; D23/379; D23/385;  
D26/59**

FIG. 1 is a perspective view of a combined ceiling fan and light fixture showing my design.

FIG. 2 is a front elevational view of the ceiling fan described in FIG. 1, the opposite and adjacent sides being substantially mirror images of the front elevational view.

[58] **Field of Search** ..... D23/377, 379,  
D23/385, 411, 413; 416/5

FIG. 3 is a top plan view of the ceiling fan described in FIG. 1.

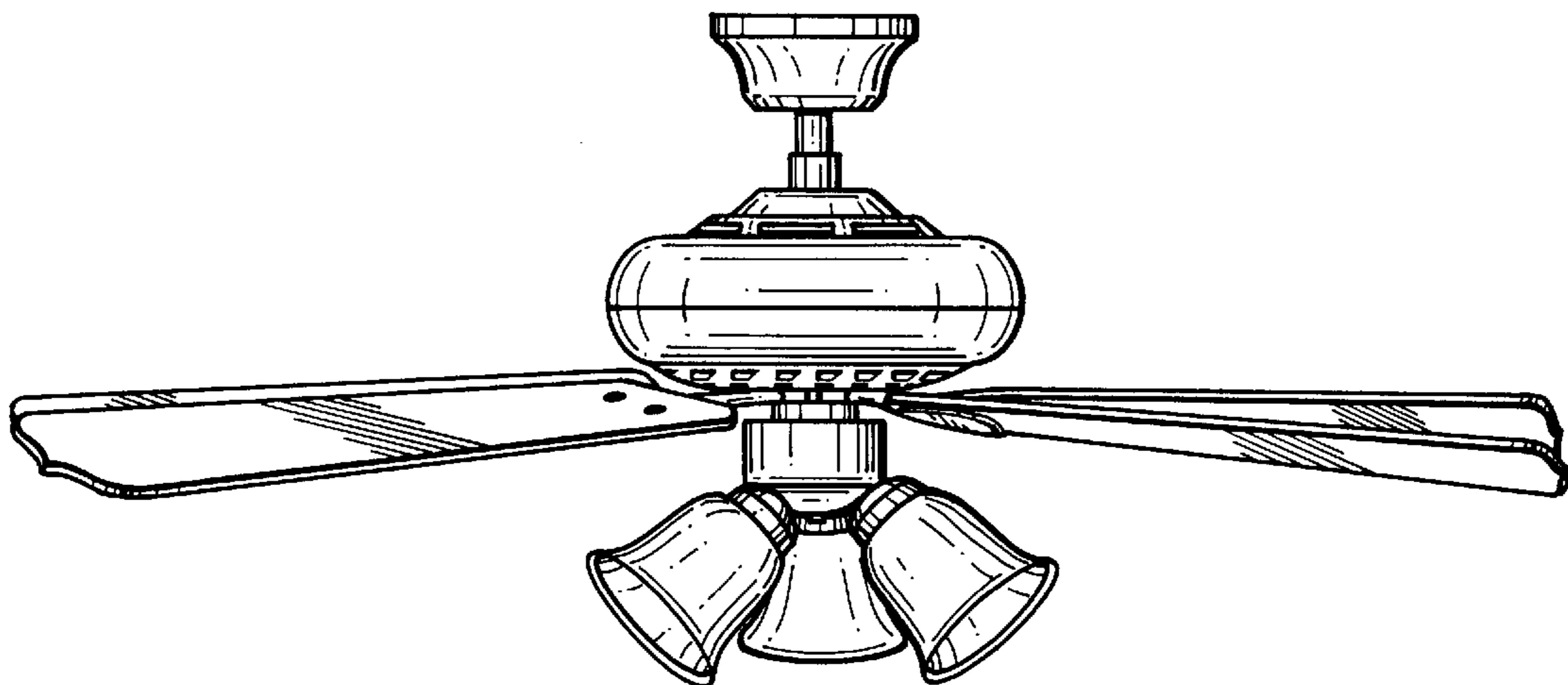
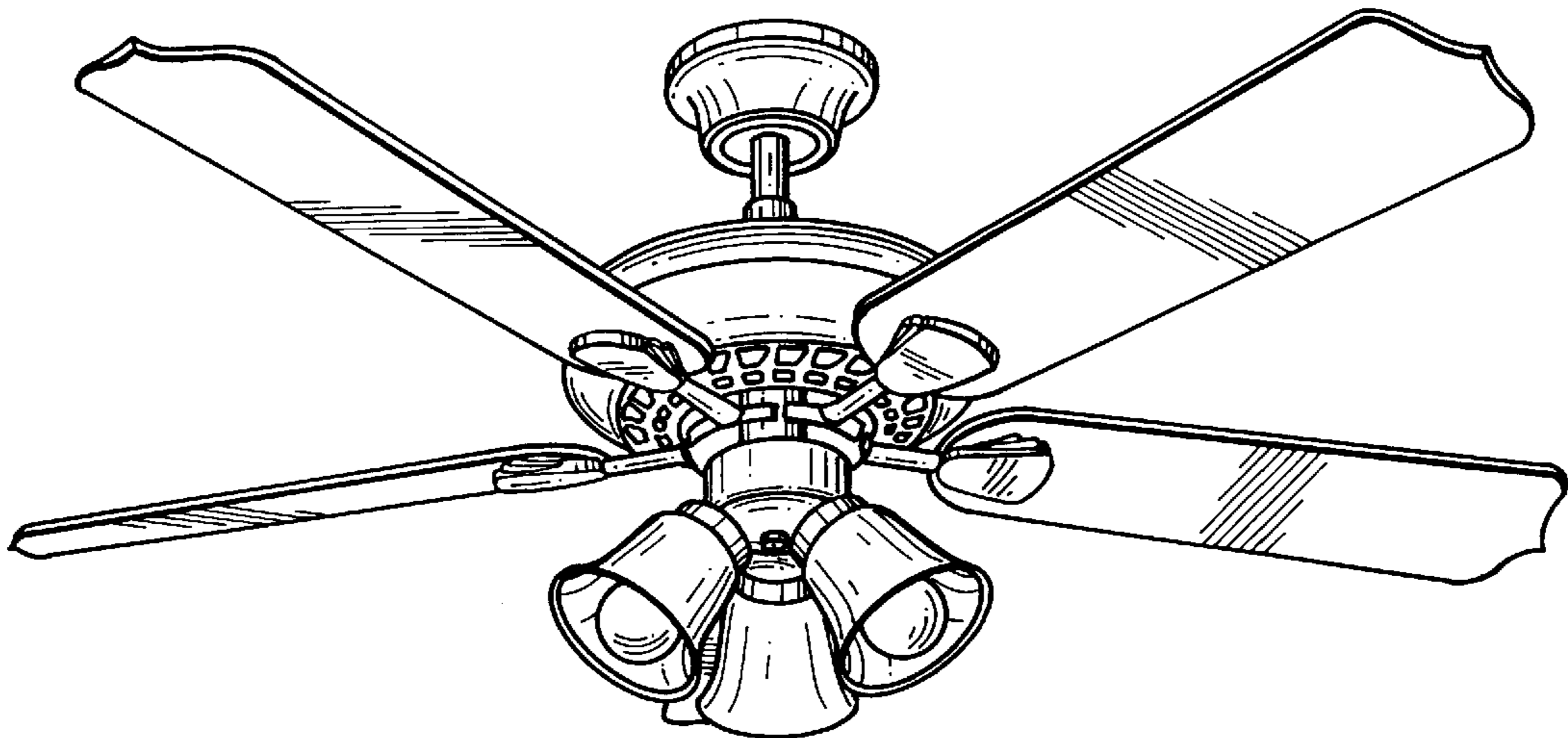
[56] **References Cited**

FIG. 4 is a bottom plan view of the ceiling fan described in FIG. 1.

**U.S. PATENT DOCUMENTS**

D. 349,337 8/1994 Tsuji ..... D23/377

**1 Claim, 4 Drawing Sheets**



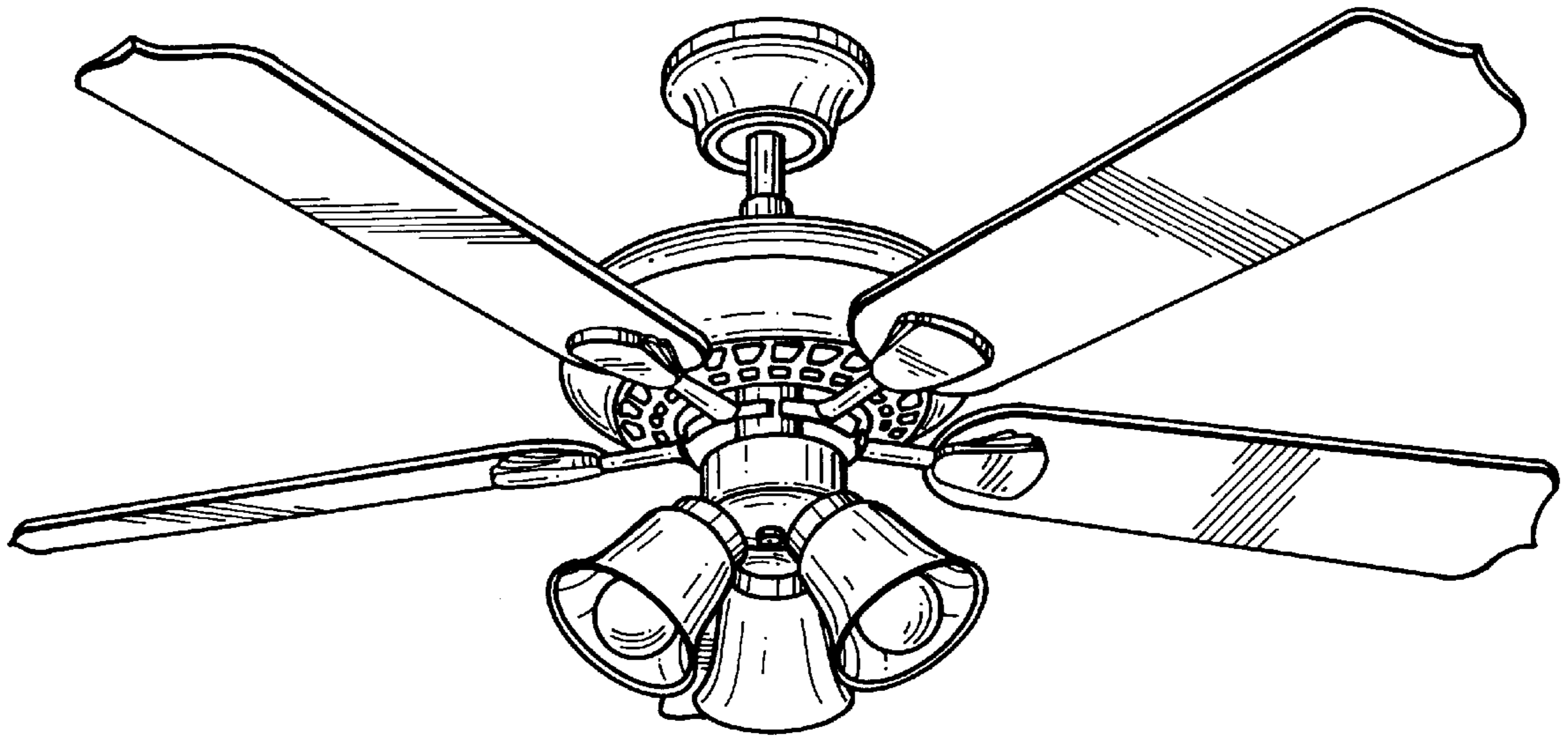


FIG. 1

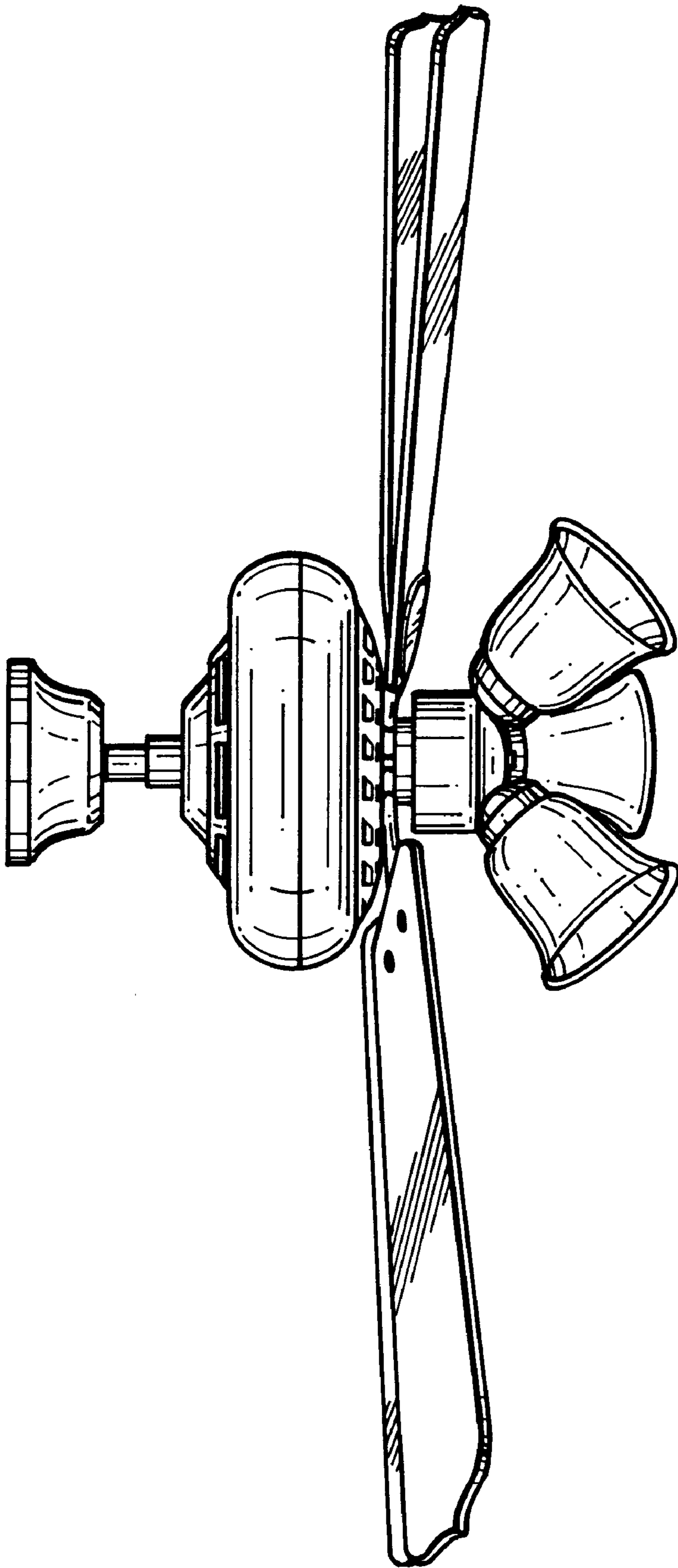


FIG. 2

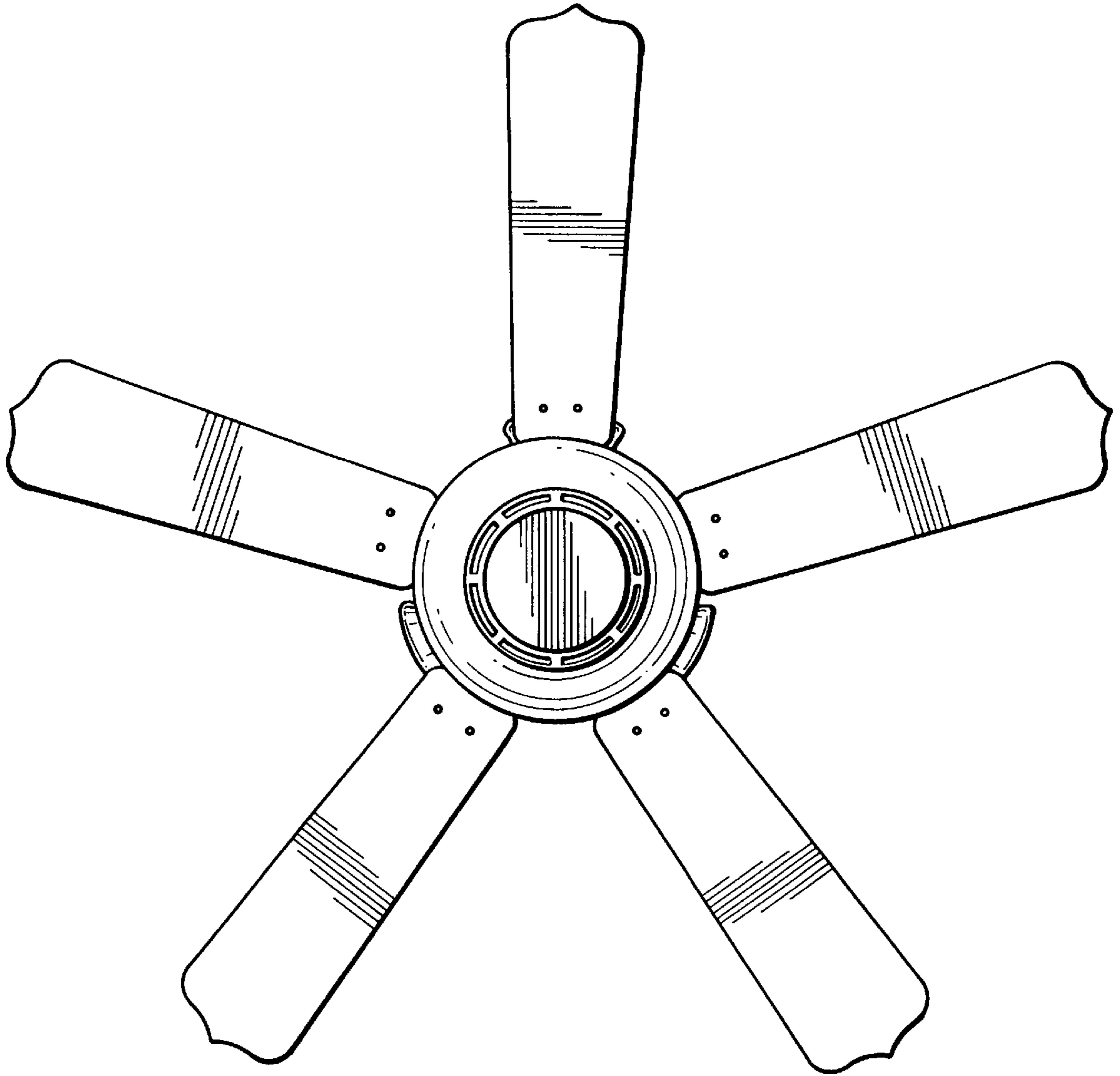


FIG. 3

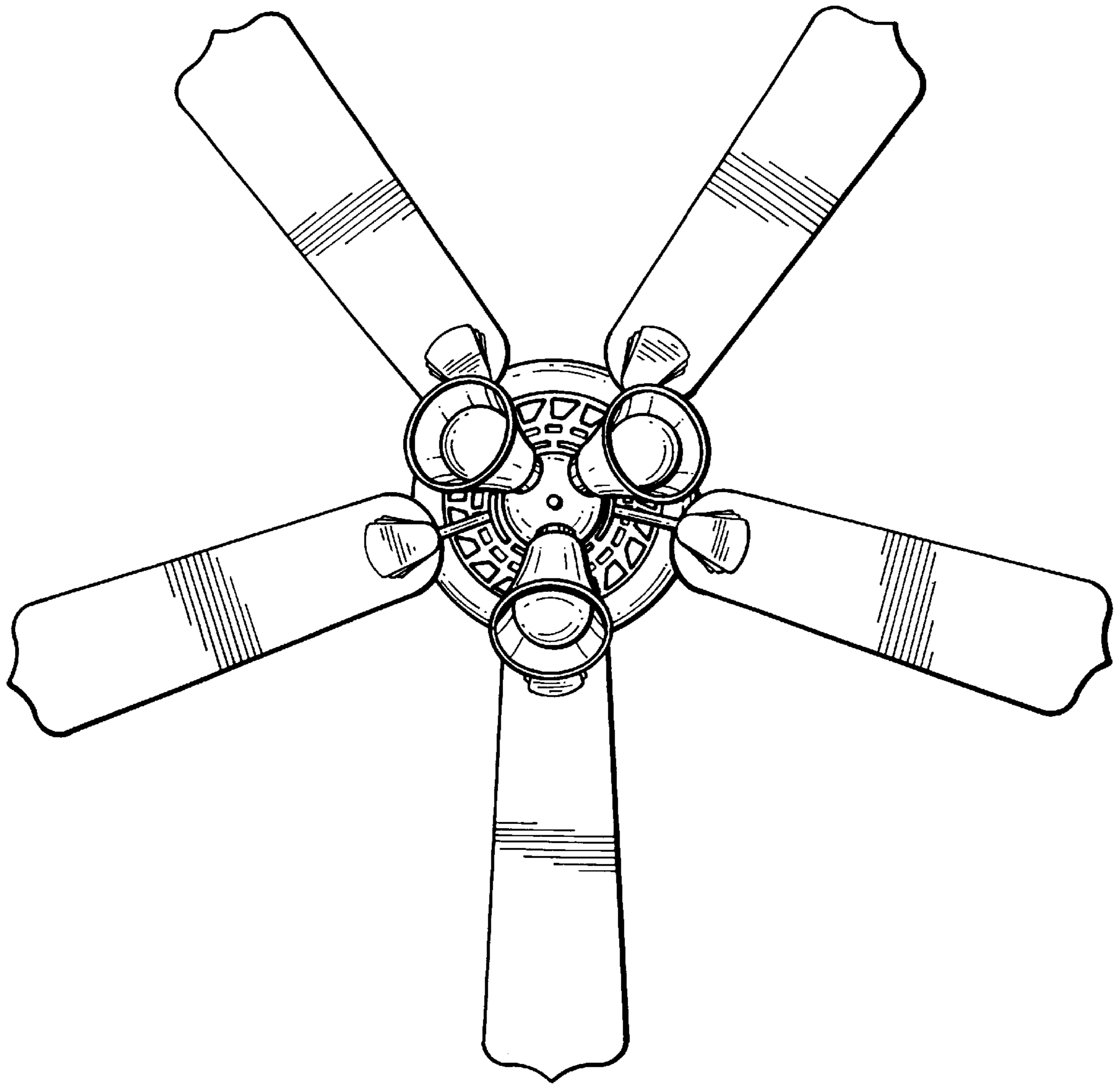


FIG. 4