



US00D424678S

United States Patent [19] Holmgren

[11] Patent Number: **Des. 424,678**

[45] Date of Patent: **** May 9, 2000**

[54] **SUCTION HOOD**

[75] Inventor: **Ambjörn Holmgren**, Lycksele, Sweden

[73] Assignee: **Plymovent Aktiebolag**, Lycksele, Sweden

[**] Term: **14 Years**

[21] Appl. No.: **29/100,284**

[22] Filed: **Feb. 8, 1999**

[30] **Foreign Application Priority Data**

Aug. 7, 1998 [SE] Sweden 98-1520

[51] **LOC (7) Cl.** **23-04**

[52] **U.S. Cl.** **D23/371**

[58] **Field of Search** D23/371; 454/65

[56] **References Cited**

U.S. PATENT DOCUMENTS

D. 327,122 6/1992 Holmgren D23/371

*Primary Examiner—Lisa Lichtenstein
Attorney, Agent, or Firm—Young & Thompson*

[57] **CLAIM**

The ornamental design for a suction hood, as shown and described.

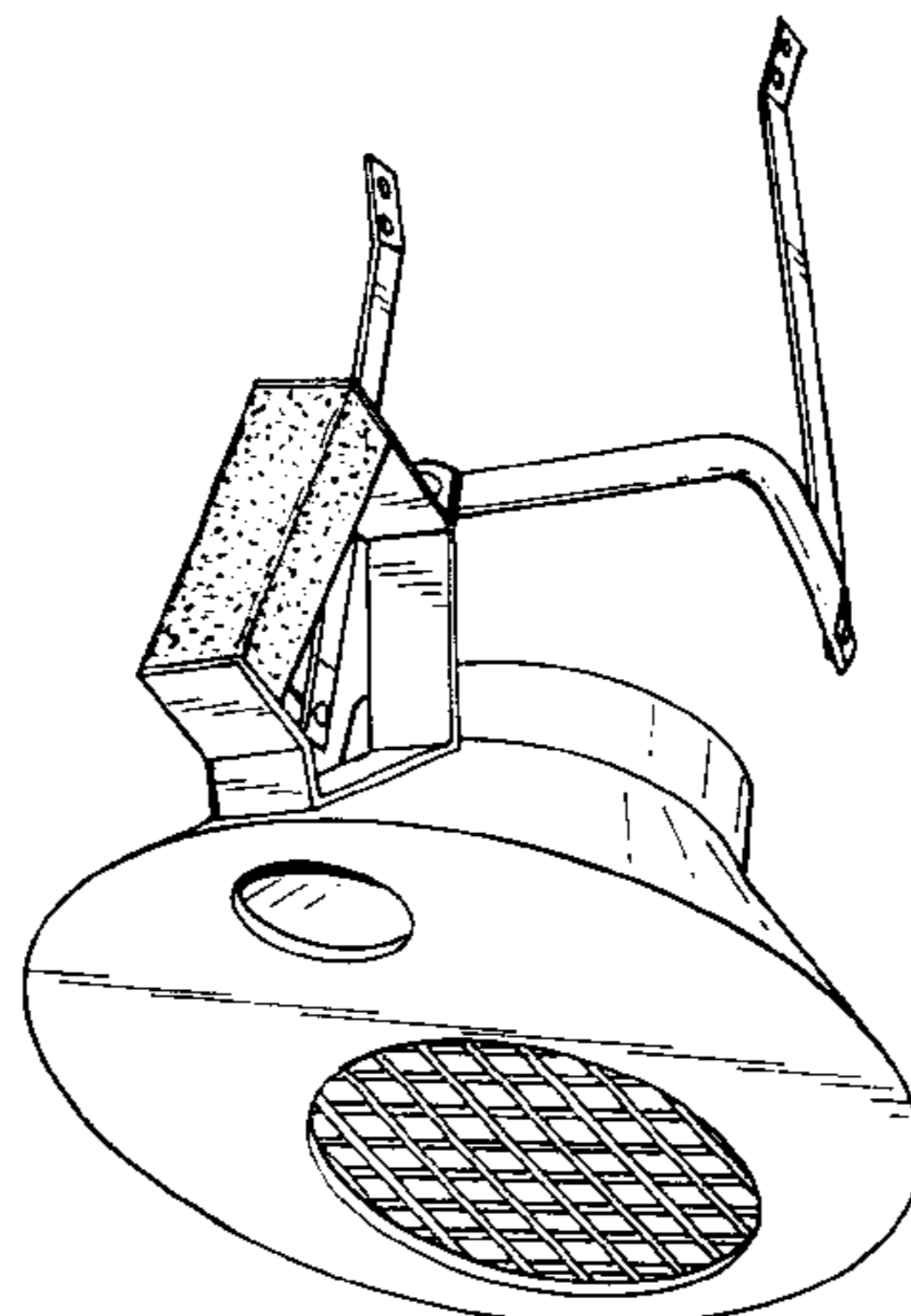
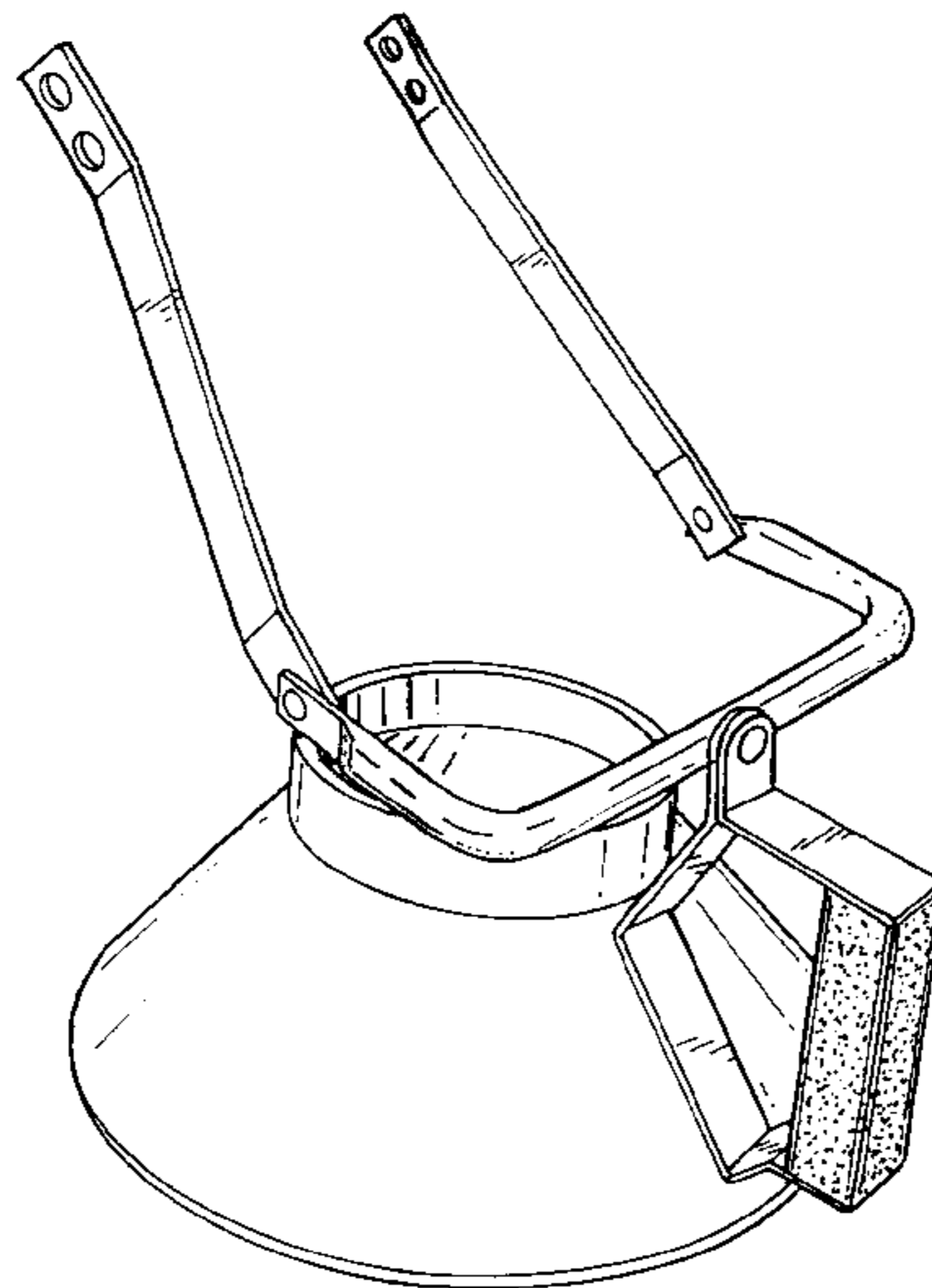
DESCRIPTION

FIG. 1 is a right side perspective view of a suction hood seen slightly from above, showing my new design;

FIG. 2 is a left side perspective view thereof, seen slightly from below;

FIG. 3 is a right side elevational view thereof, the opposite side thereof is identical thereto; and,

FIG. 4 is a front elevational view thereof.



1 Claim, 2 Drawing Sheets

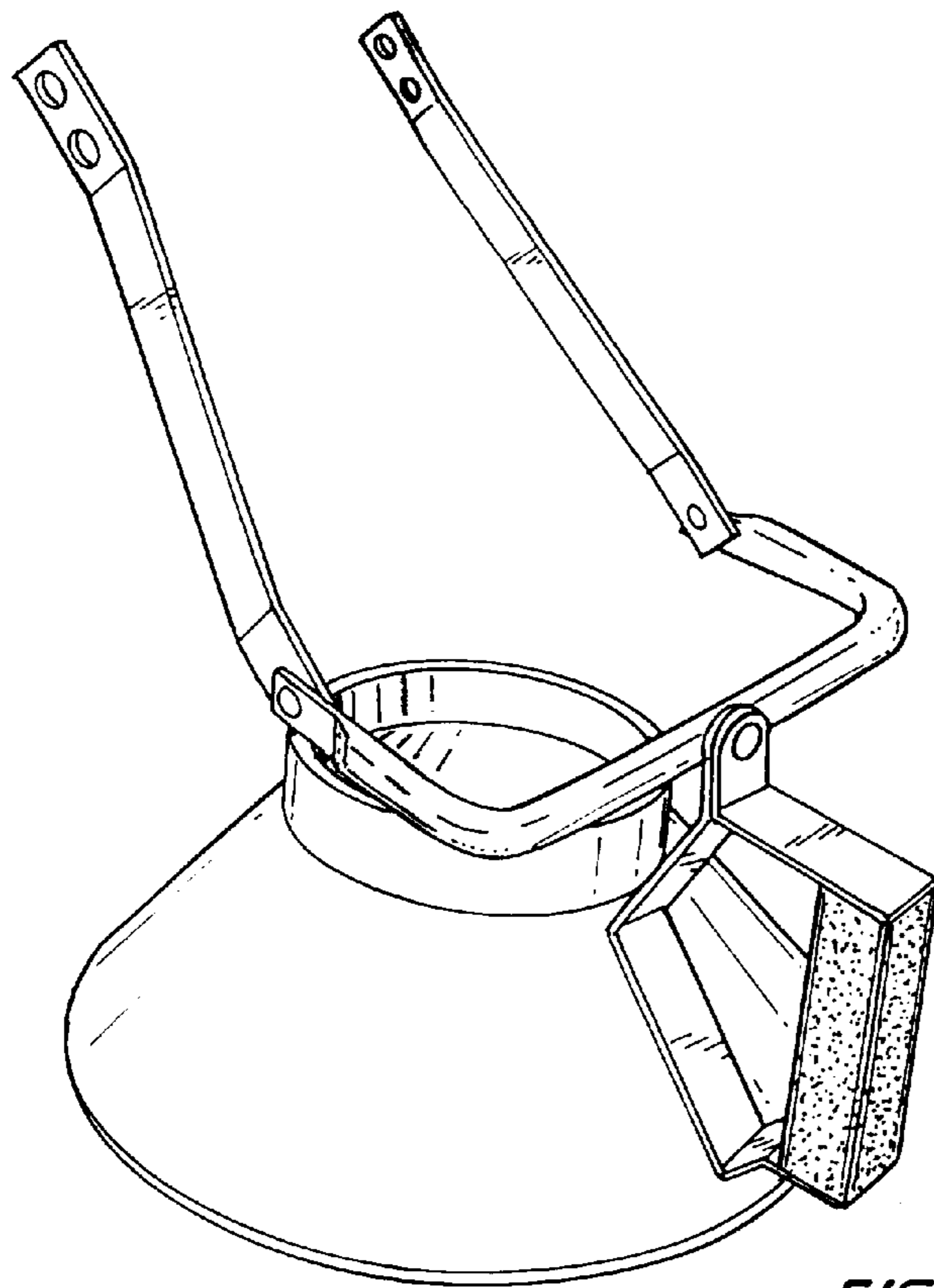


FIG. 1

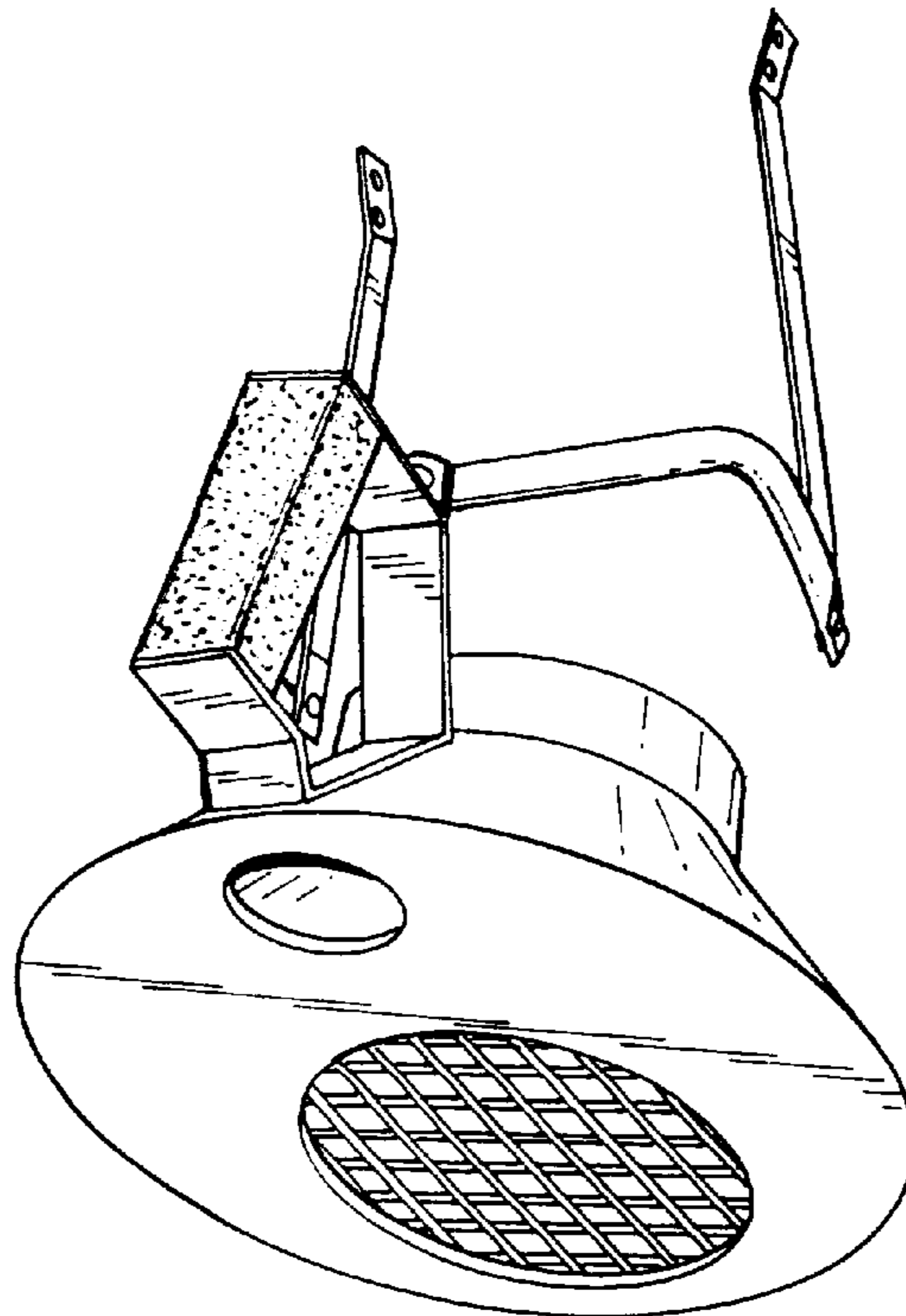


FIG. 2

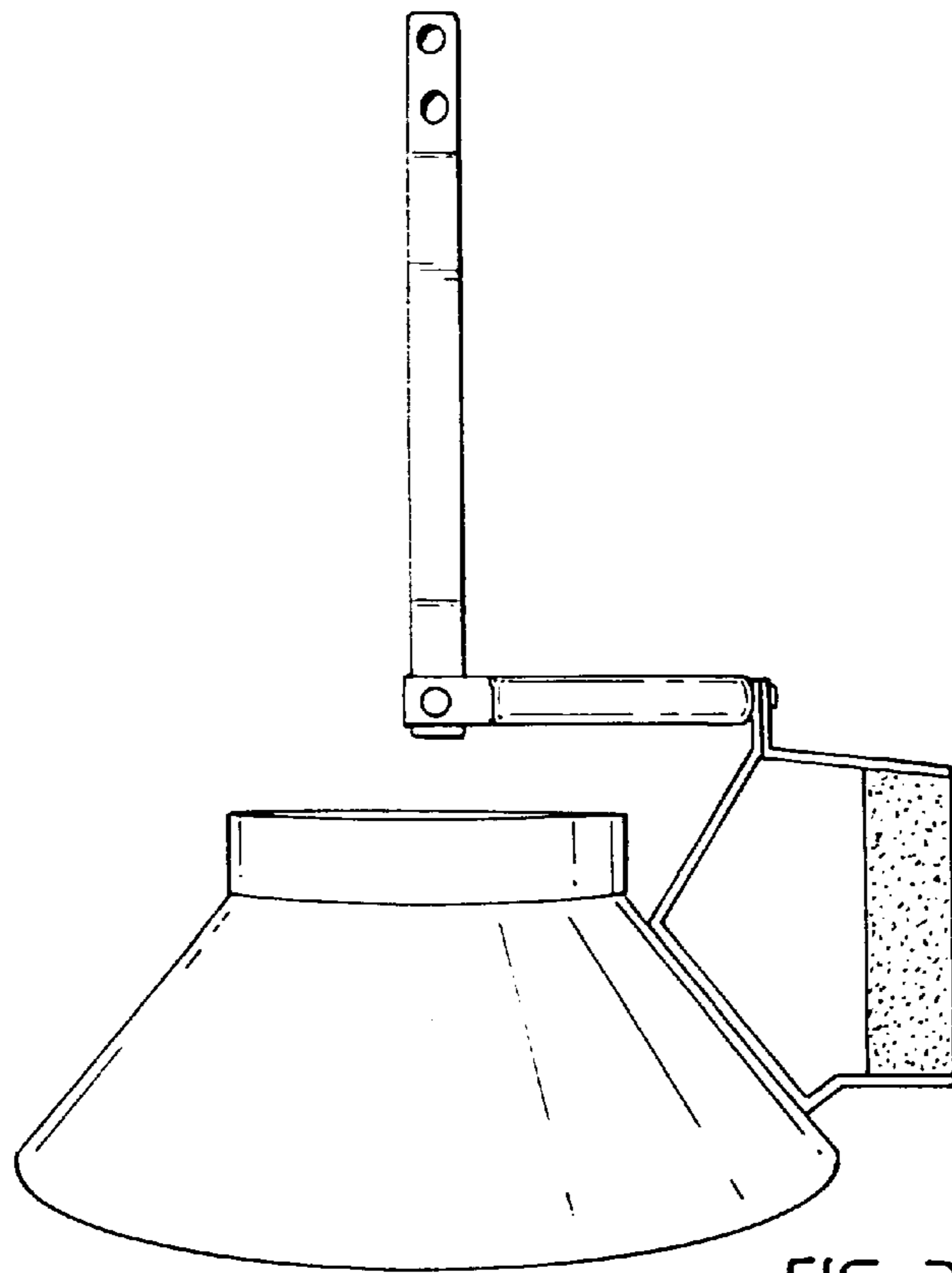


FIG. 3

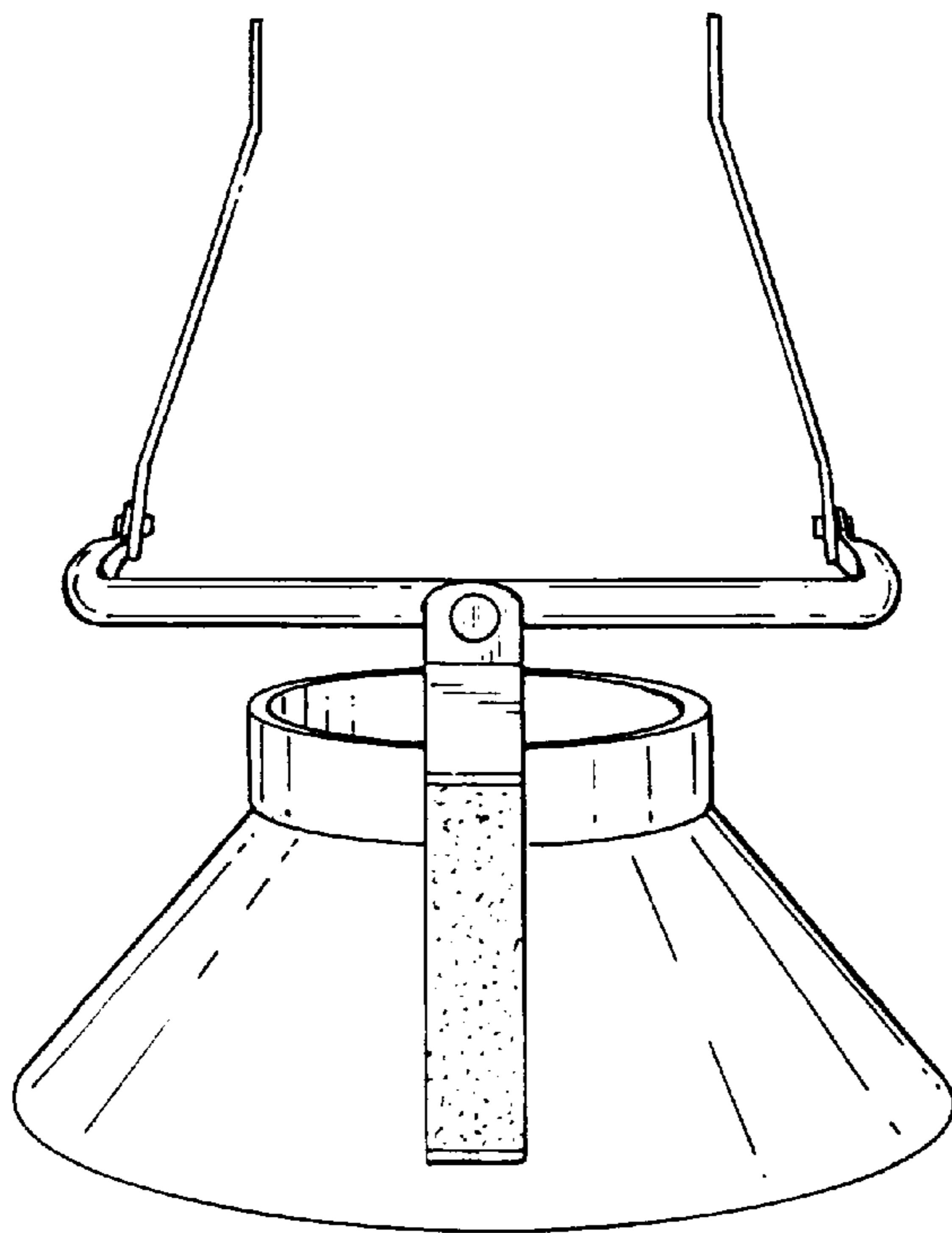


FIG. 4