



US00D424674S

United States Patent [19] Puc

[11] **Patent Number: Des. 424,674**

[45] **Date of Patent: ** May 9, 2000**

[54] **AIR CONDITIONING DEVICE**

3,127,106 3/1964 Giroud 237/78 R

[76] Inventor: **Danijel Puc**, Kebetova 8b, 1000
Ljubljana, Slovenia

[**] Term: **14 Years**

[21] Appl. No.: **29/077,417**

[22] Filed: **Sep. 25, 1997**

[30] Foreign Application Priority Data

Apr. 1, 1997 [SI] Slovenia M-9750023

[51] **LOC (7) Cl.** **23-04**

[52] **U.S. Cl.** **D23/355; D23/356; D23/364;
D23/395**

[58] **Field of Search** D23/333, 351,
D23/356, 357, 395, 364, 386, 355; 237/78 R,
78 A; 312/31; 96/236, 239, 294, 329

[56] References Cited

U.S. PATENT DOCUMENTS

D. 386,563	11/1997	Mele	D23/356
1,281,390	10/1918	Kelling	.	
1,310,705	7/1919	Larson	237/78 R
1,334,697	3/1920	Gendron	237/78 R
1,764,499	6/1930	Bentz	237/78 R
2,124,510	7/1938	Bobb	237/78 R

FOREIGN PATENT DOCUMENTS

41944	of 1864	Germany .
368975	2/1923	Germany .
89484	6/1921	Switzerland .
149031	11/1931	Switzerland .
184230	8/1936	Switzerland .

Primary Examiner—B. J. Bullock
Attorney, Agent, or Firm—Jackson Walker, LLP

[57] CLAIM

The ornamental design for an air conditioning device, as shown and described.

DESCRIPTION

FIG. 1 is a top perspective view of the air conditioning device.

FIG. 2 is a bottom perspective view thereof.

FIG. 3 is an enlarged end perspective view thereof.

FIG. 4 is a reduced top view thereof.

FIG. 5 is a side view thereof.

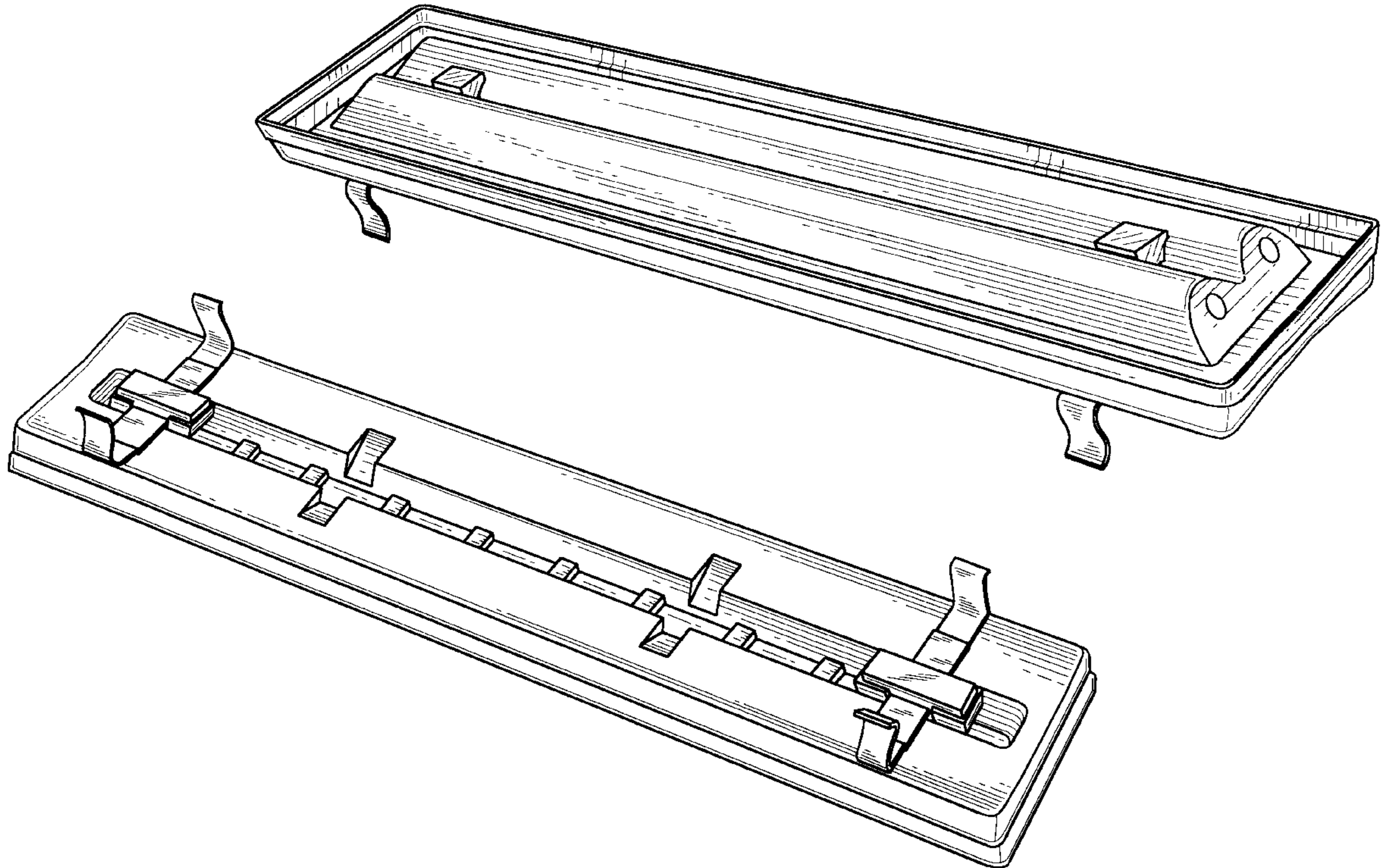
FIG. 6 is an end view thereof.

FIG. 7 is a view of the end opposite that shown in FIG. 6.

FIG. 8 is a bottom view thereof; and,

FIG. 9 is a view of the side opposite that shown in FIG. 5.

1 Claim, 4 Drawing Sheets



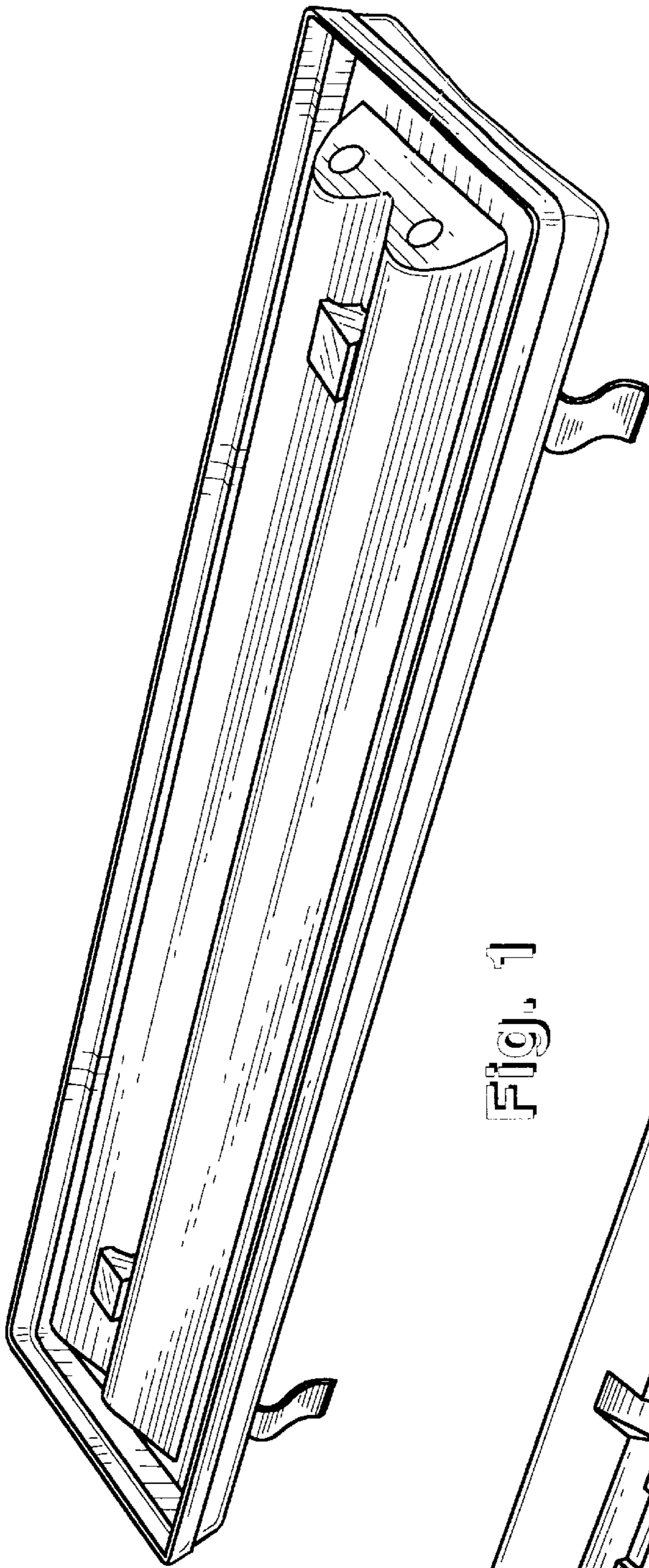


Fig. 1

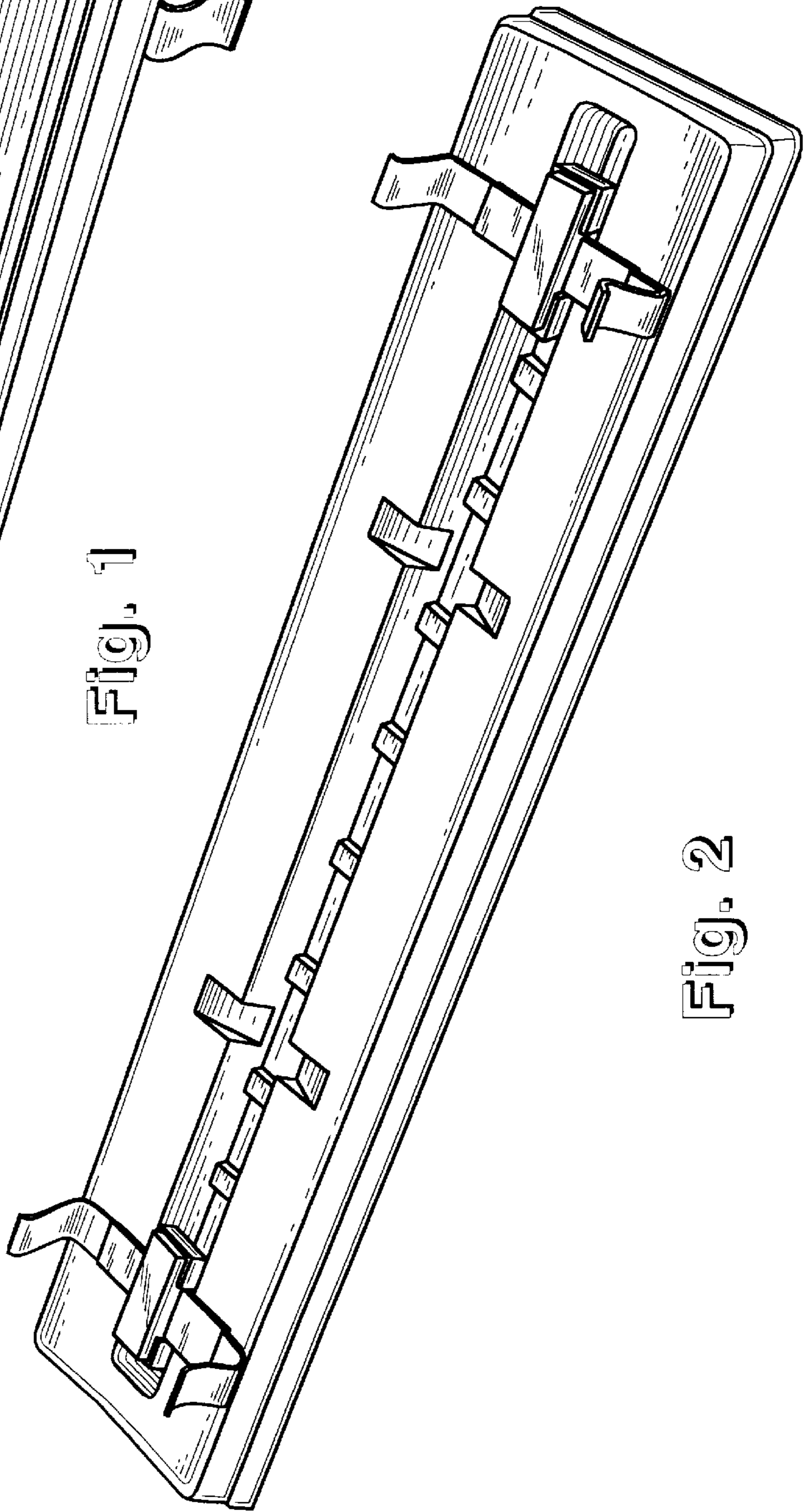


Fig. 2

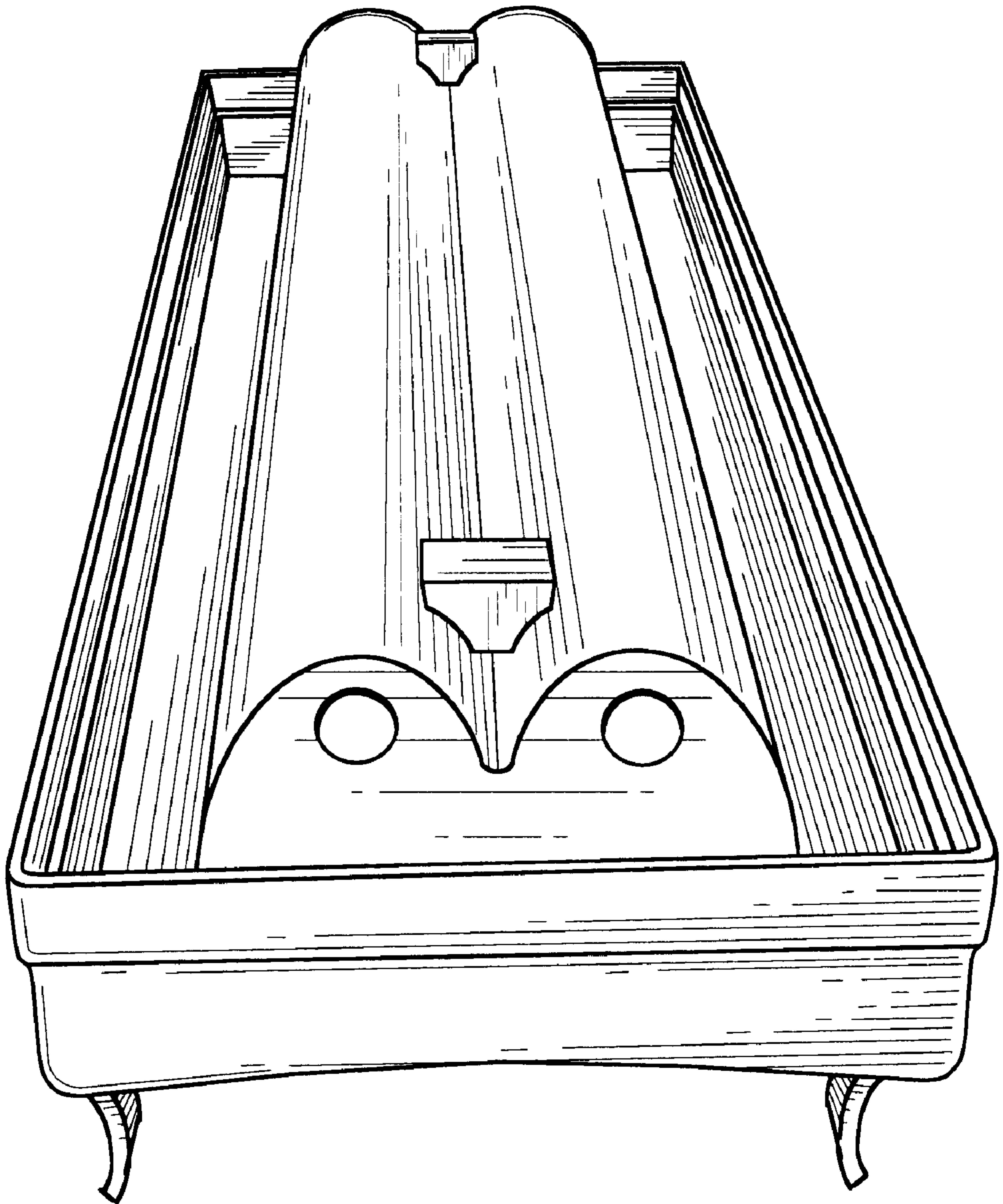


Fig. 3

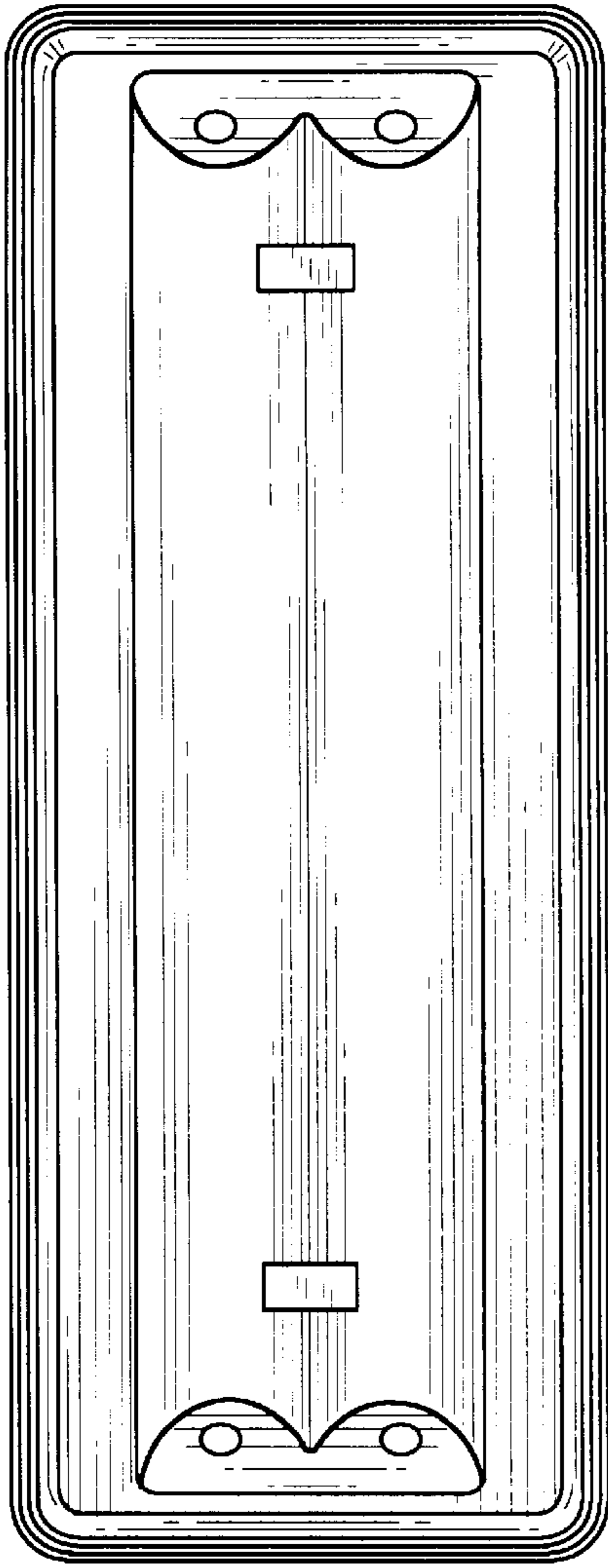


Fig. 4

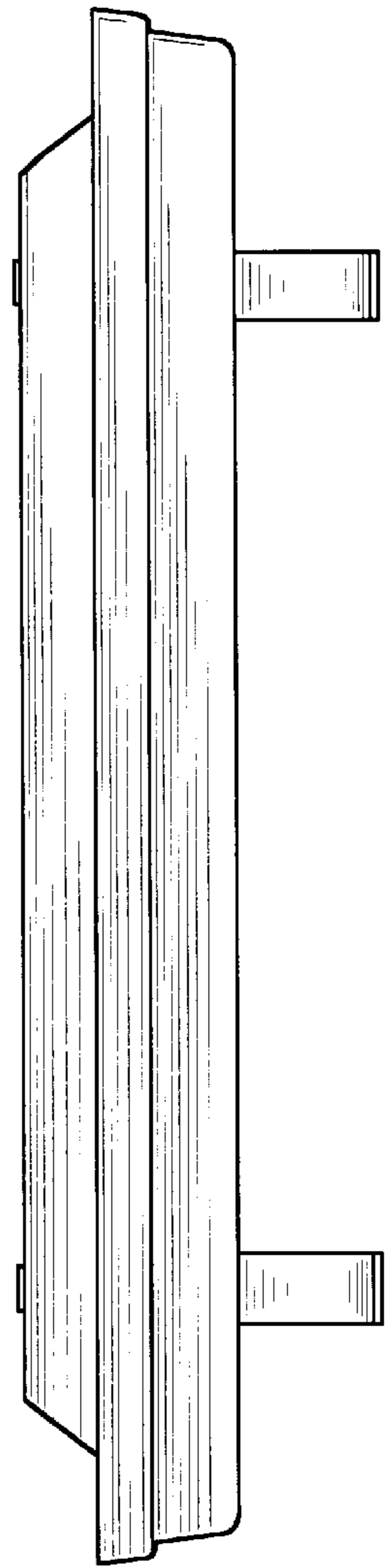


Fig. 5

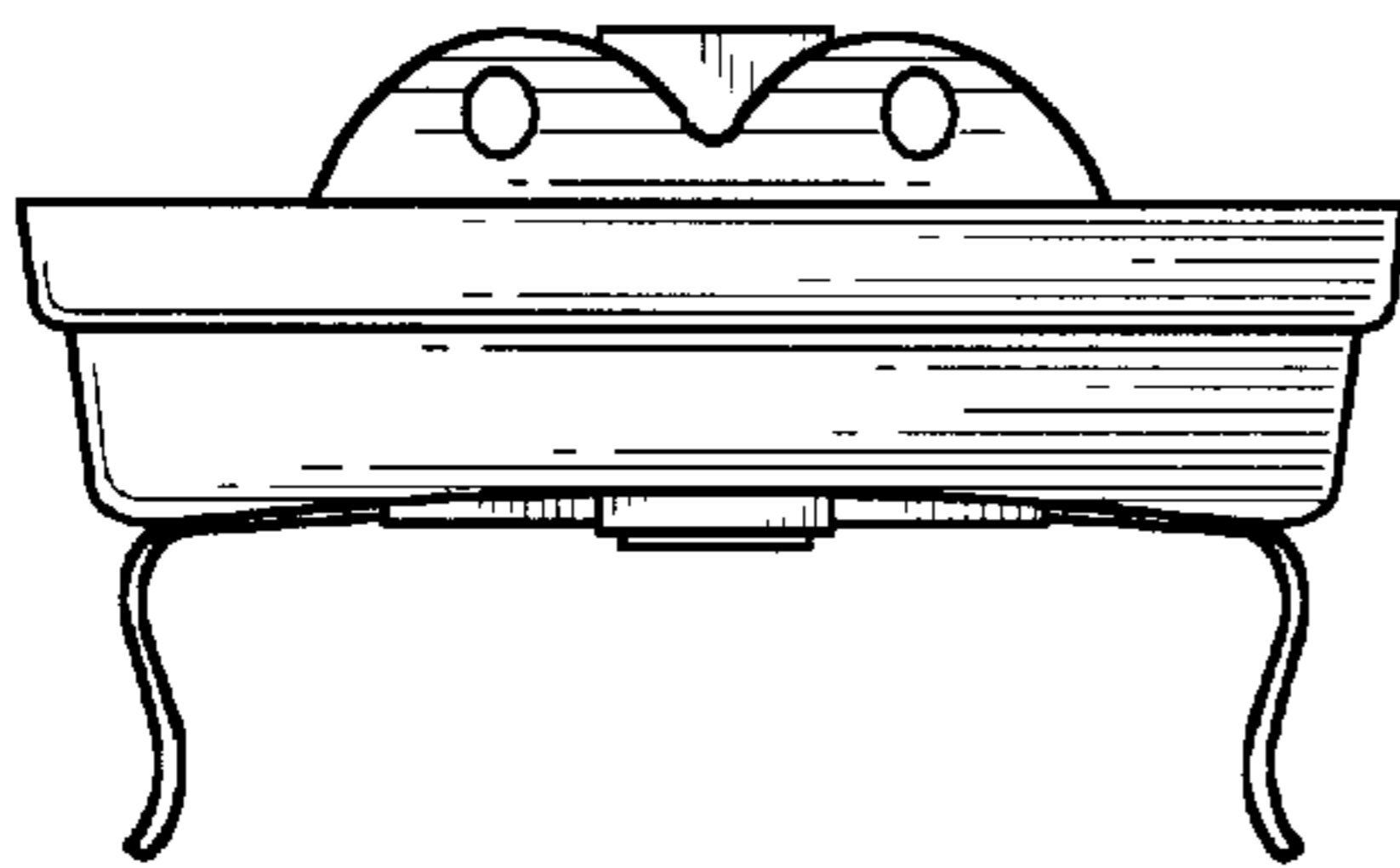


Fig. 6

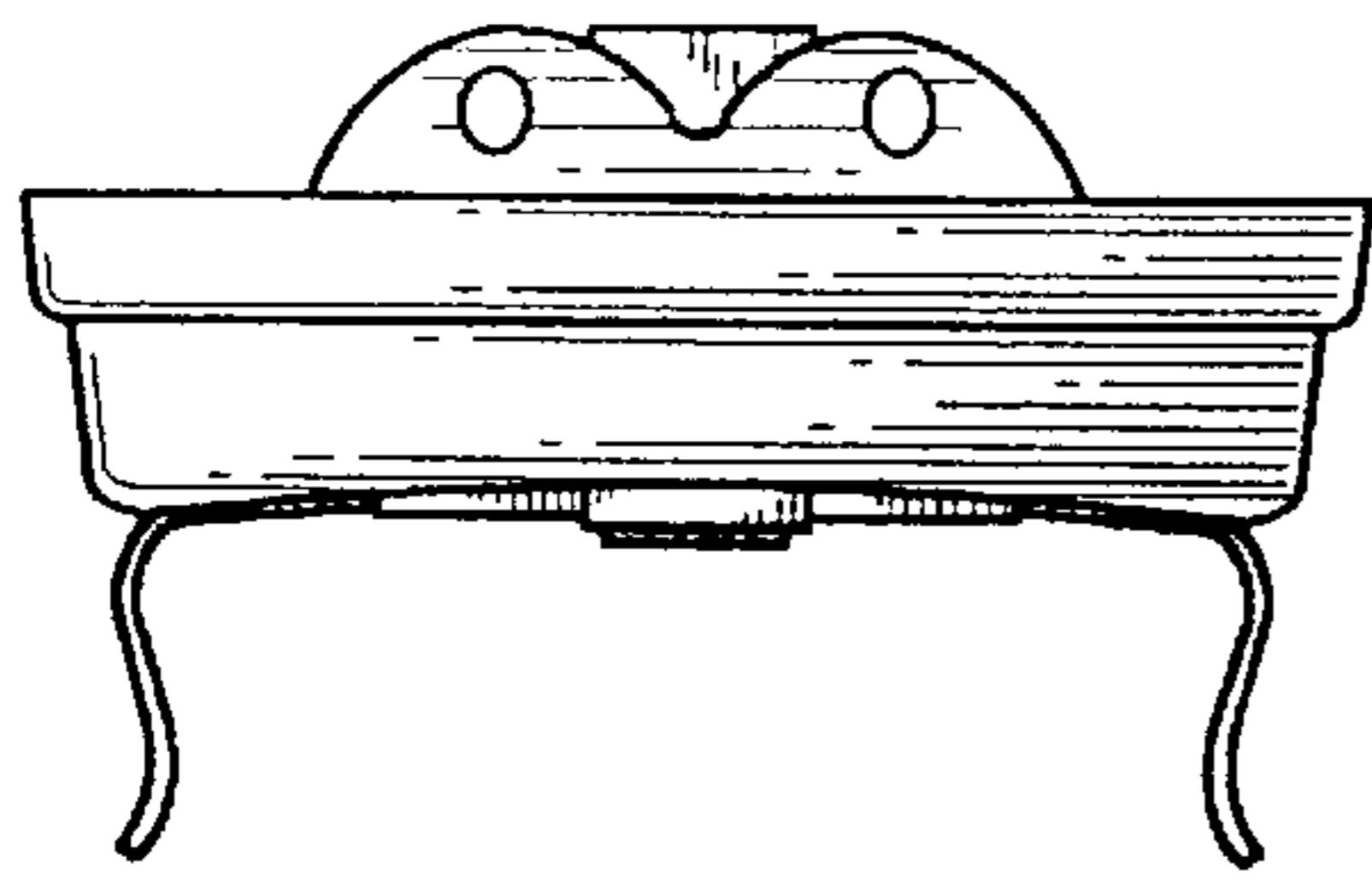


Fig. 7

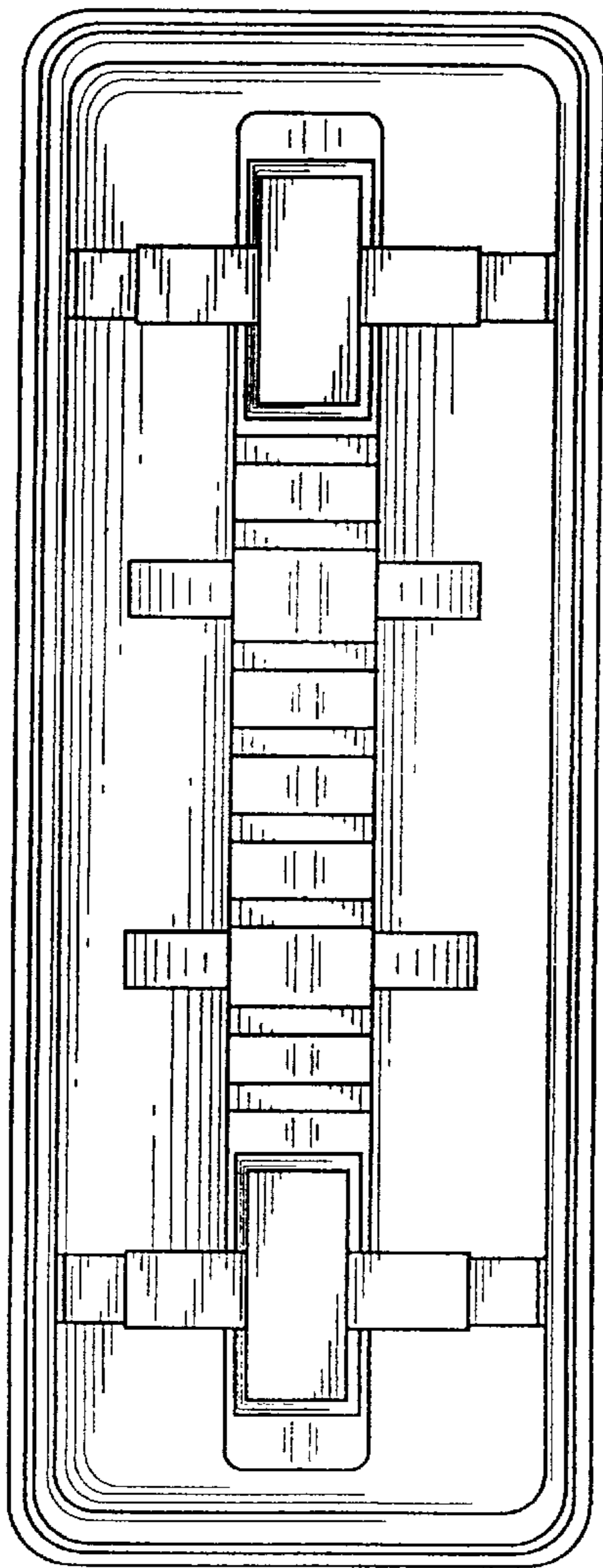


Fig. 8

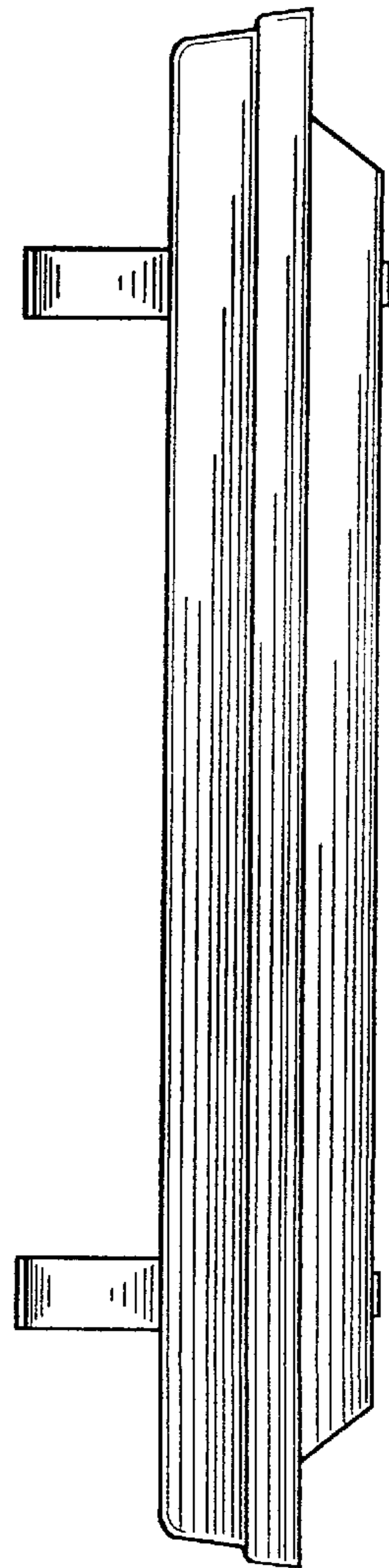


Fig. 9