



US00D424670S

United States Patent [19]

[11] Patent Number: **Des. 424,670**

Na

[45] Date of Patent: **** May 9, 2000**

[54] **LID FOR A TOILET FLUSH TANK
CONCEALING A CLEANSING DEVICE**

[76] Inventor: **Jang Ju Na**, 123 S. Catalina St. #110,
Los Angeles, Calif. 90004

[**] Term: **14 Years**

[21] Appl. No.: **29/097,541**

[22] Filed: **Dec. 9, 1998**

[51] **LOC (7) Cl.** **23-02**

[52] **U.S. Cl.** **D23/313**

[58] **Field of Search** D23/303-313,
D23/295-301, 300, 329, 353, 420.2, 420.4,
661

[56] **References Cited**

U.S. PATENT DOCUMENTS

D. 299,049	12/1988	Reid	D23/293.1
D. 309,178	7/1990	Lowder, Sr.	D23/313
D. 311,771	10/1990	Smith	D23/313
D. 319,098	8/1991	Kohler, Jr. et al.	D23/313
D. 320,070	9/1991	Witzig	D23/313
D. 346,197	4/1994	Onishi et al.	D22/142

D. 348,310	6/1994	McNeill	D23/313
D. 348,311	6/1994	Witzig	D23/313
D. 350,188	8/1994	McNeill	D23/313
D. 376,840	12/1996	Perkins	D23/313
D. 390,932	2/1998	Slothower	D23/313
D. 390,933	2/1998	Slothower	D23/313
4,242,764	1/1981	Fukuda	4/420.4
4,304,016	12/1981	Oguma et al.	4/420.2
5,862,536	1/1999	Huang	4/353

Primary Examiner—Eric Watterson

[57] **CLAIM**

The ornamental design for a lid for a toilet flush tank concealing a cleansing device, as shown.

DESCRIPTION

FIG. 1 is a top perspective view of the lid for toilet flush tank concealing a cleansing device of my invention.
 FIG. 2 is a top view thereof.
 FIG. 3 is a front view thereof.
 FIG. 4 is a rear view thereof.
 FIG. 5 is a left side view thereof.
 FIG. 6 is a right side view thereof; and,
 FIG. 7 is a bottom view thereof.

1 Claim, 6 Drawing Sheets

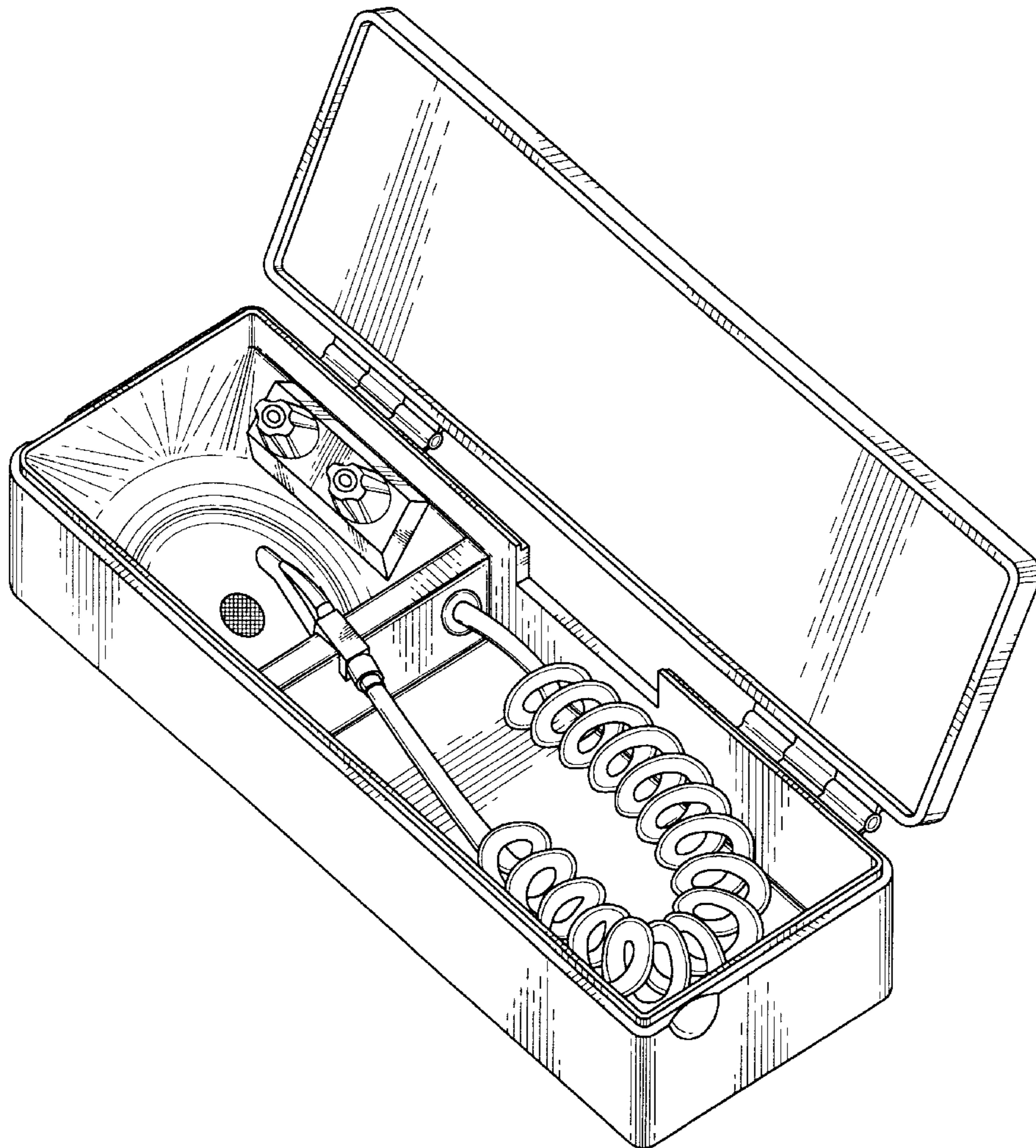


FIG. 1

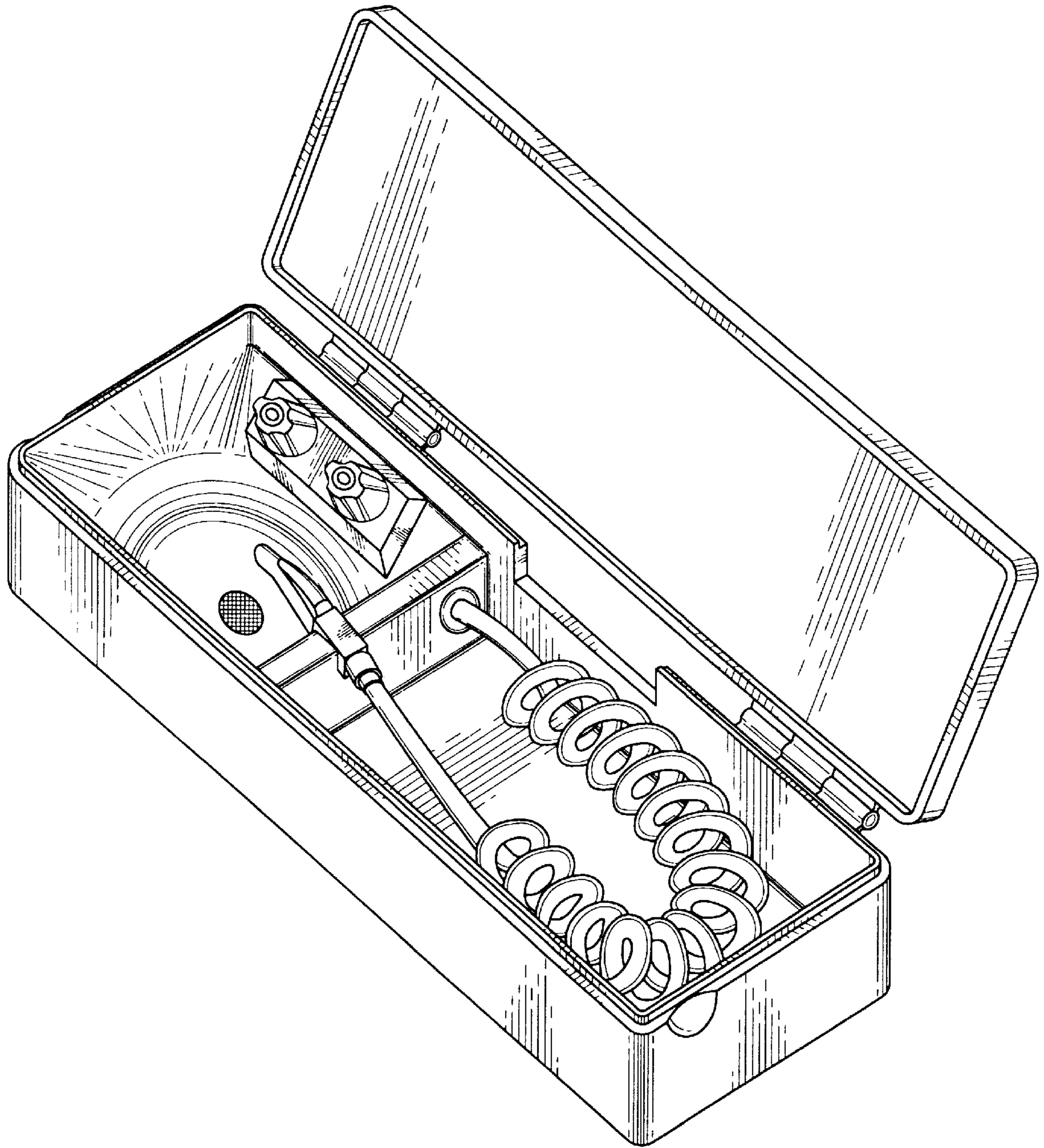


FIG. 2

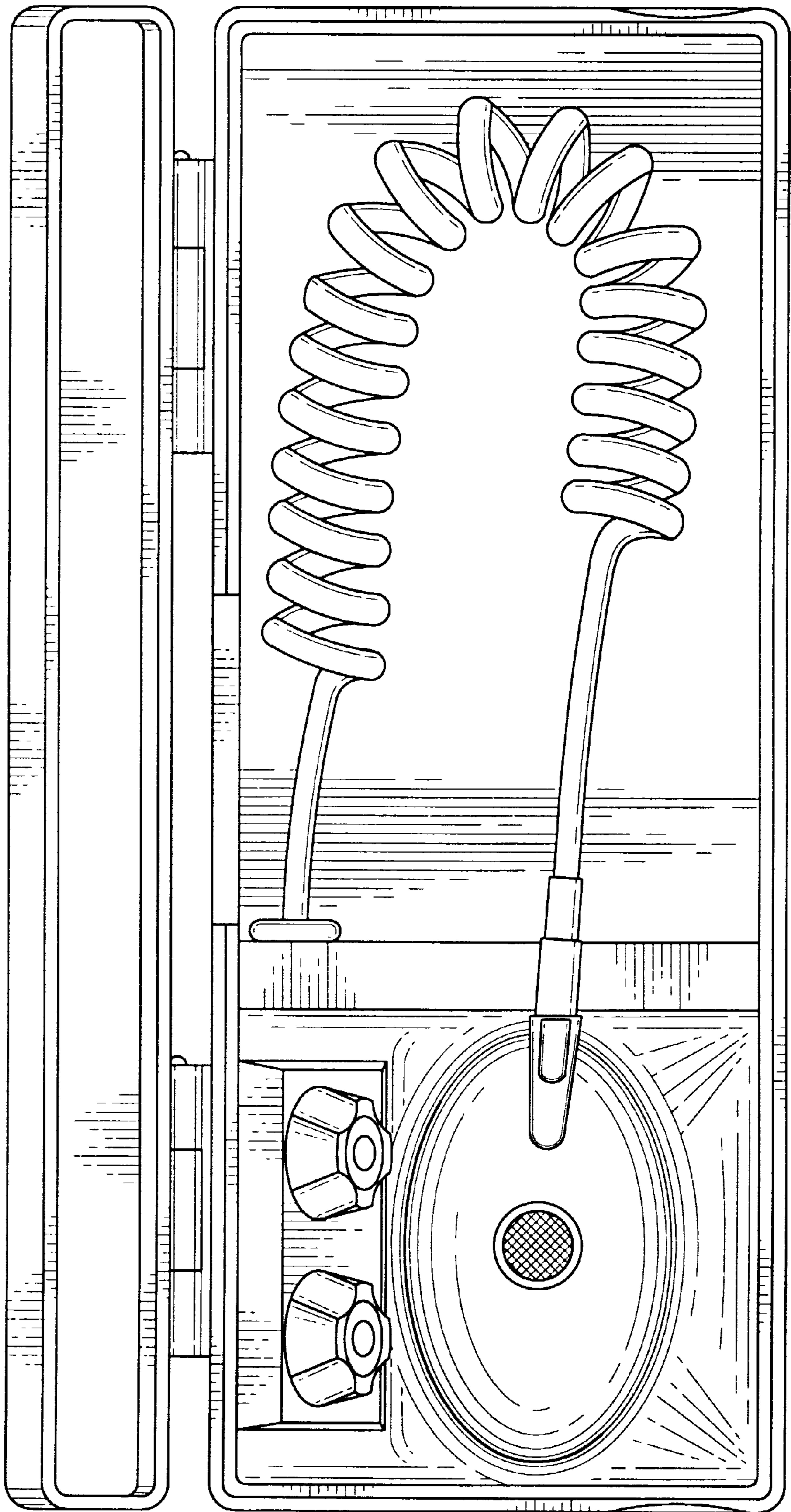


FIG. 3

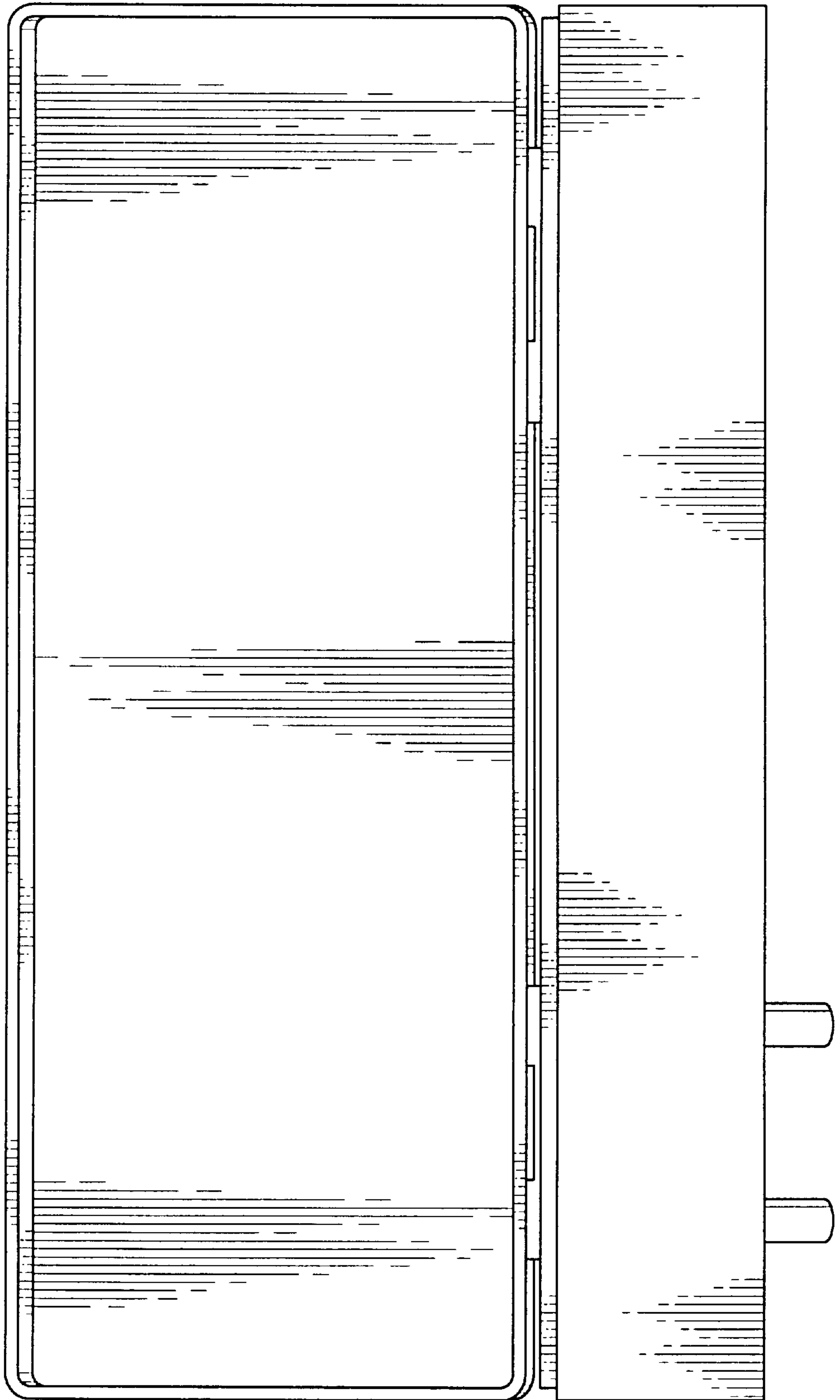


FIG. 4

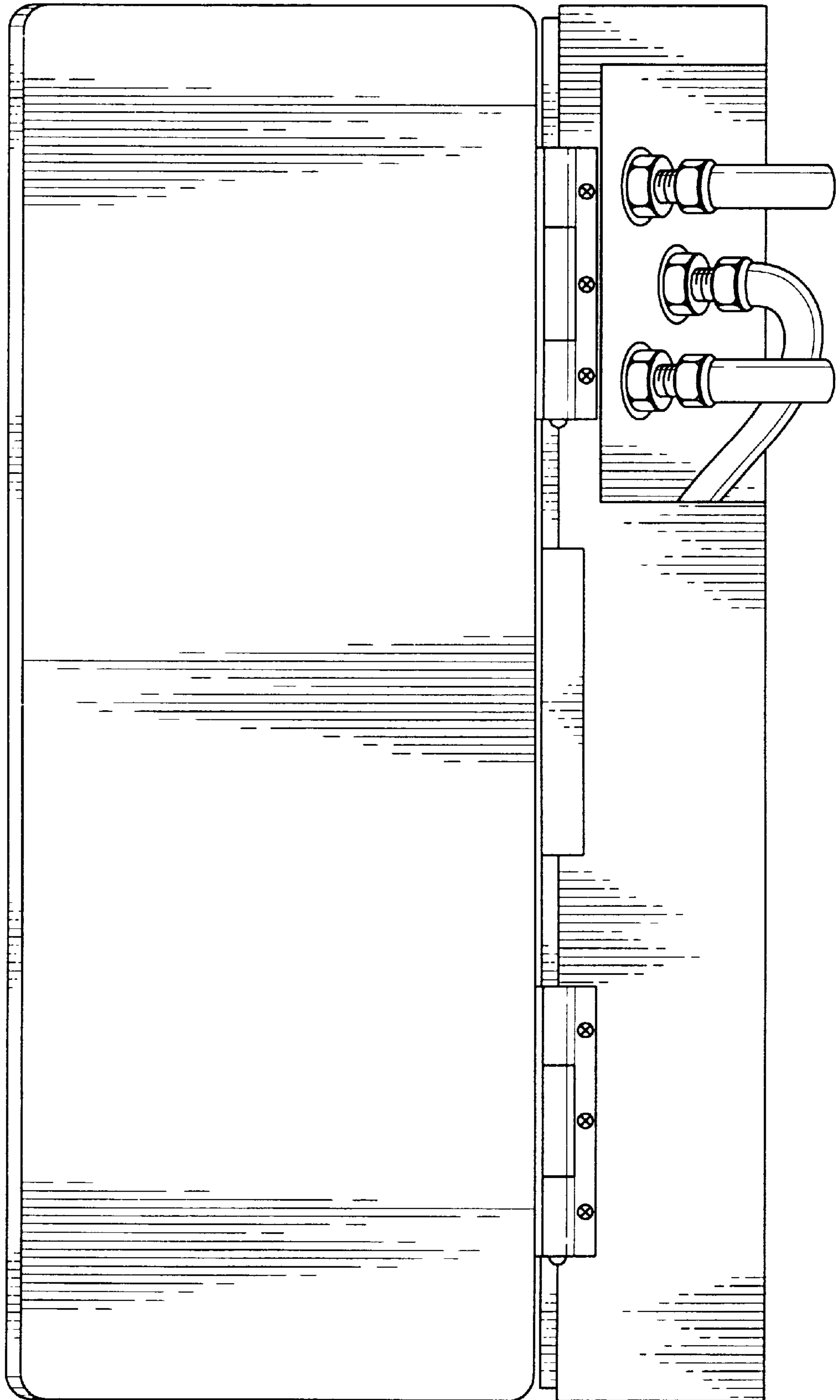


FIG. 6

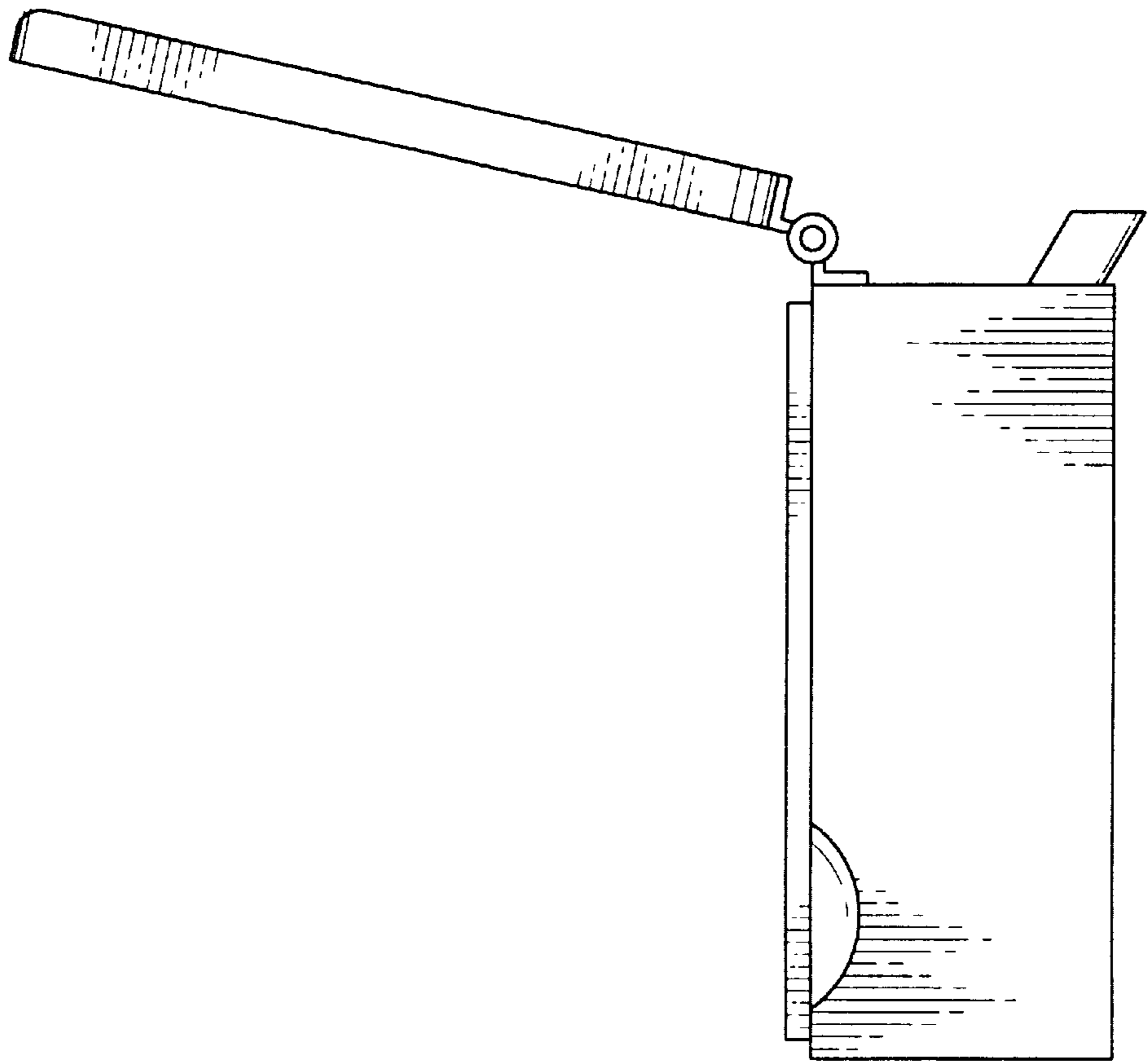


FIG. 5

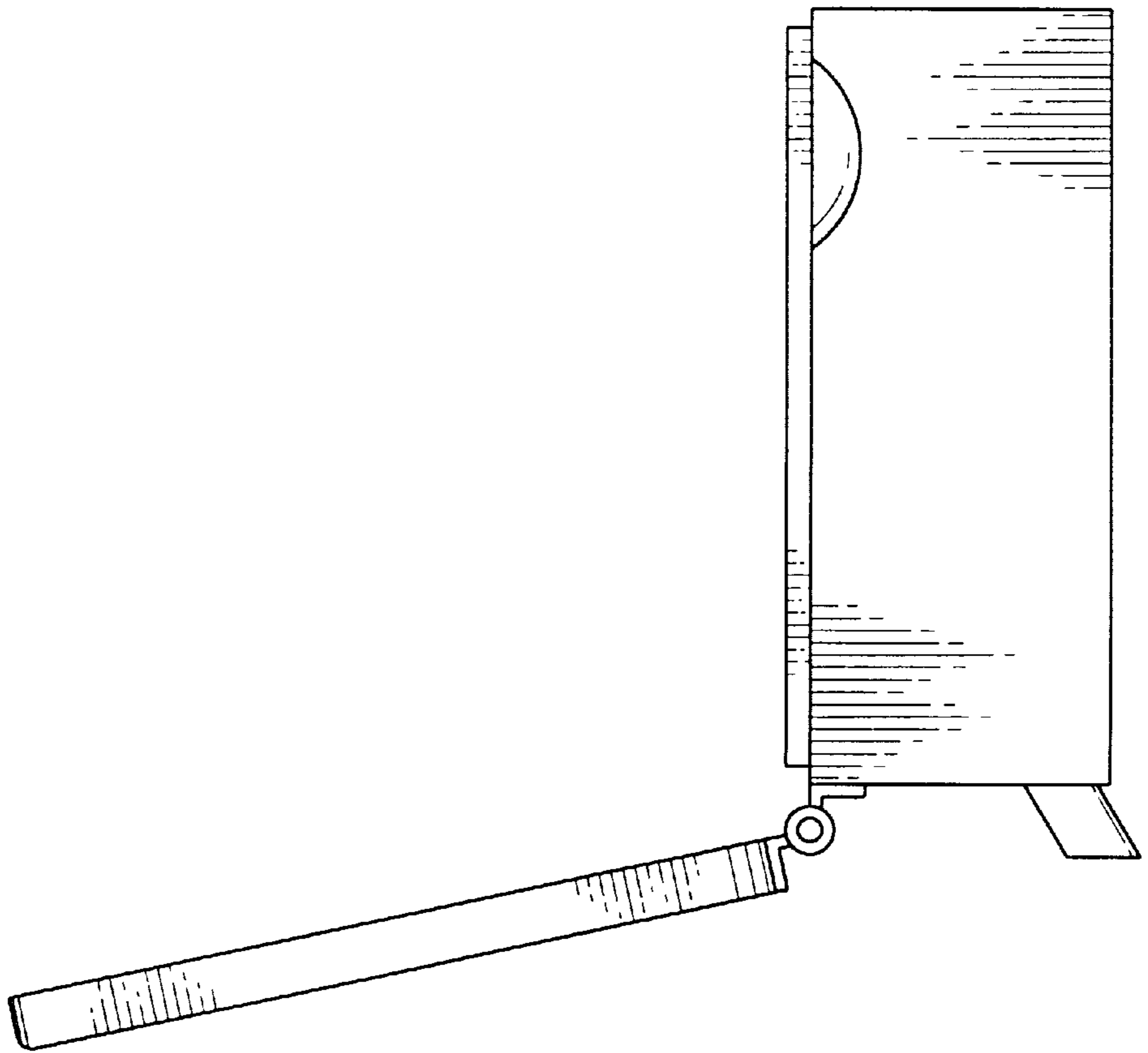


FIG. 7

