



US00D424662S

United States Patent [19]
Gieske

[11] **Patent Number: Des. 424,662**

[45] **Date of Patent: ** May 9, 2000**

[54] **SPRAY TIP**

D. 368,762 4/1996 Buerger et al. D23/213
D. 408,495 4/1999 Adams D23/213

[75] Inventor: **Patrick S. Gieske, Elgin, Ill.**

Primary Examiner—Cathron B. Matta
Attorney, Agent, or Firm—McDonnell Boehnen Hulbert & Berghoff

[73] Assignee: **Seymour of Sycamore, Sycamore, Ill.**

[**] Term: **14 Years**

[57] **CLAIM**

[21] Appl. No.: **29/095,882**

The ornamental design for a spray tip, as shown and described.

[22] Filed: **Nov. 2, 1998**

DESCRIPTION

[51] **LOC (7) Cl.** **09-07**

[52] **U.S. Cl.** **D23/213**

[58] **Field of Search** D9/447, 449, 300;
D23/213, 224, 225; 222/565; 239/118, 455,
456, 590.3

FIG. 1 is a front perspective view of the spray tip showing the design;

FIG. 2 is a front elevation view thereof;

FIG. 3 is a top plan thereof;

FIG. 4 is a right side elevation view thereof; and,

FIG. 5 is a bottom plan view thereof.

[56] **References Cited**

The broken lines shown are for illustrative purposes only and form no part of the claimed design.

U.S. PATENT DOCUMENTS

D. 280,125 8/1985 Butterfield et al. D23/213
D. 341,772 11/1993 Rand et al. D9/300 X
D. 356,853 3/1995 Fowler D23/213

1 Claim, 1 Drawing Sheet

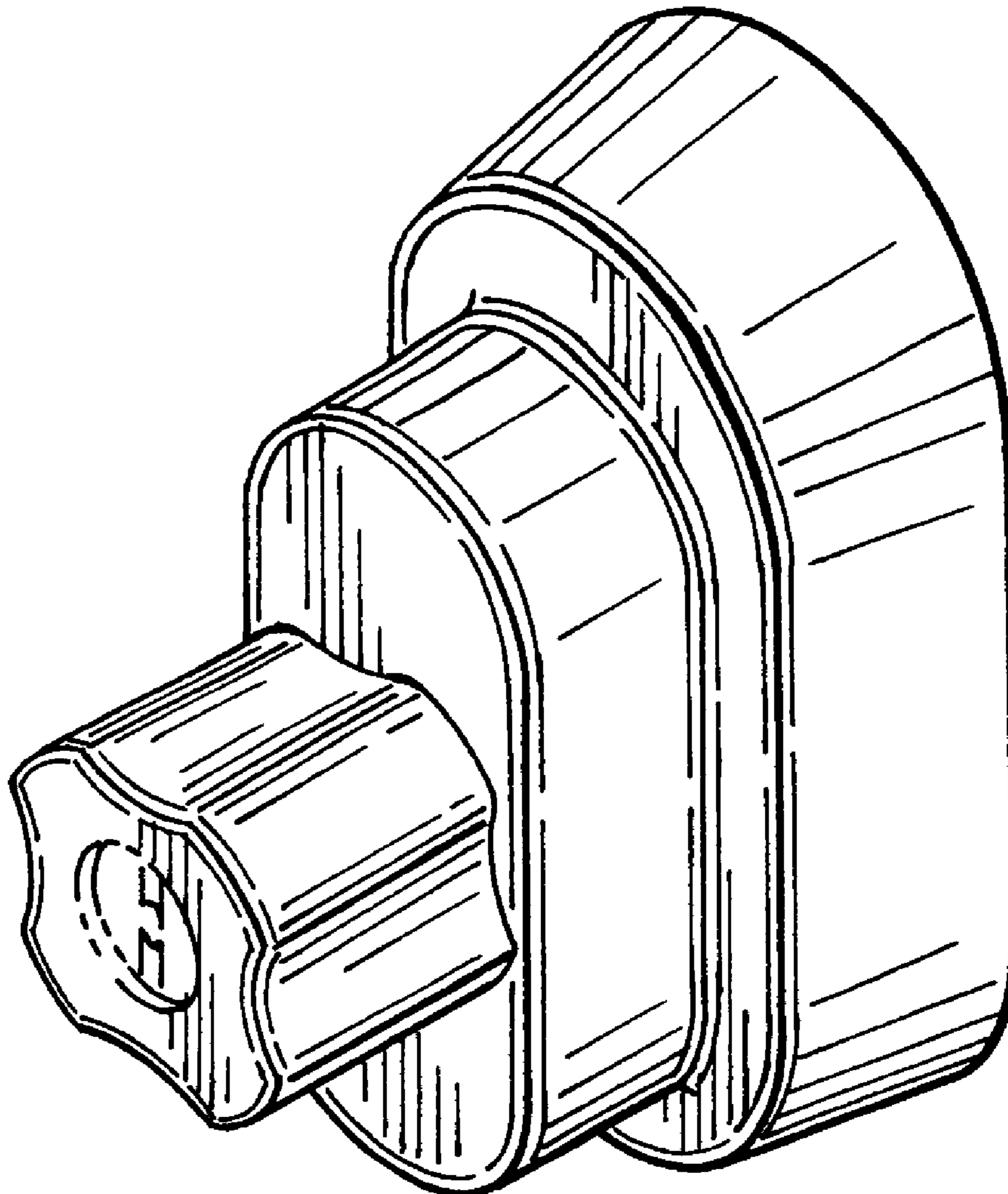


FIG.1

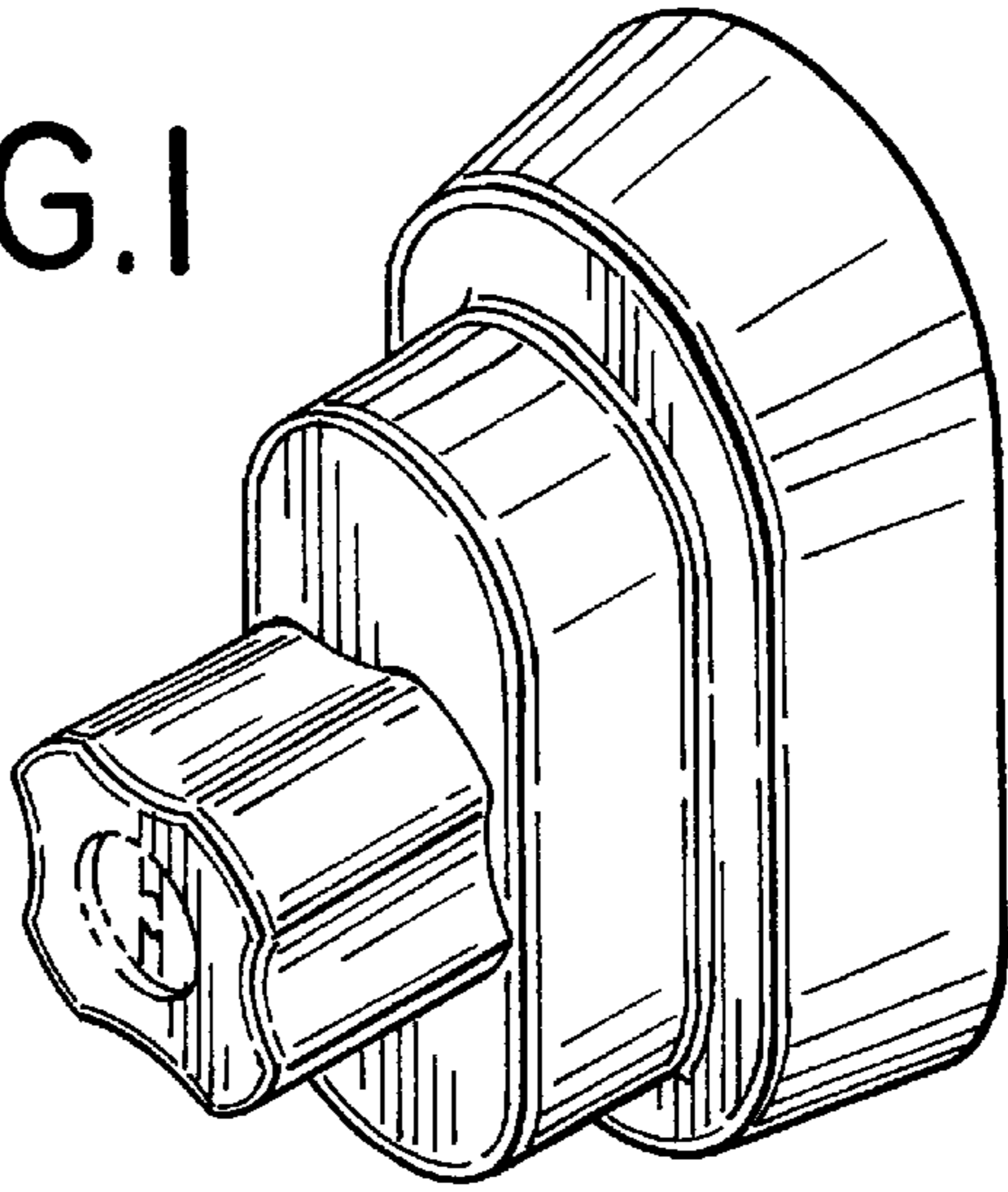


FIG.2

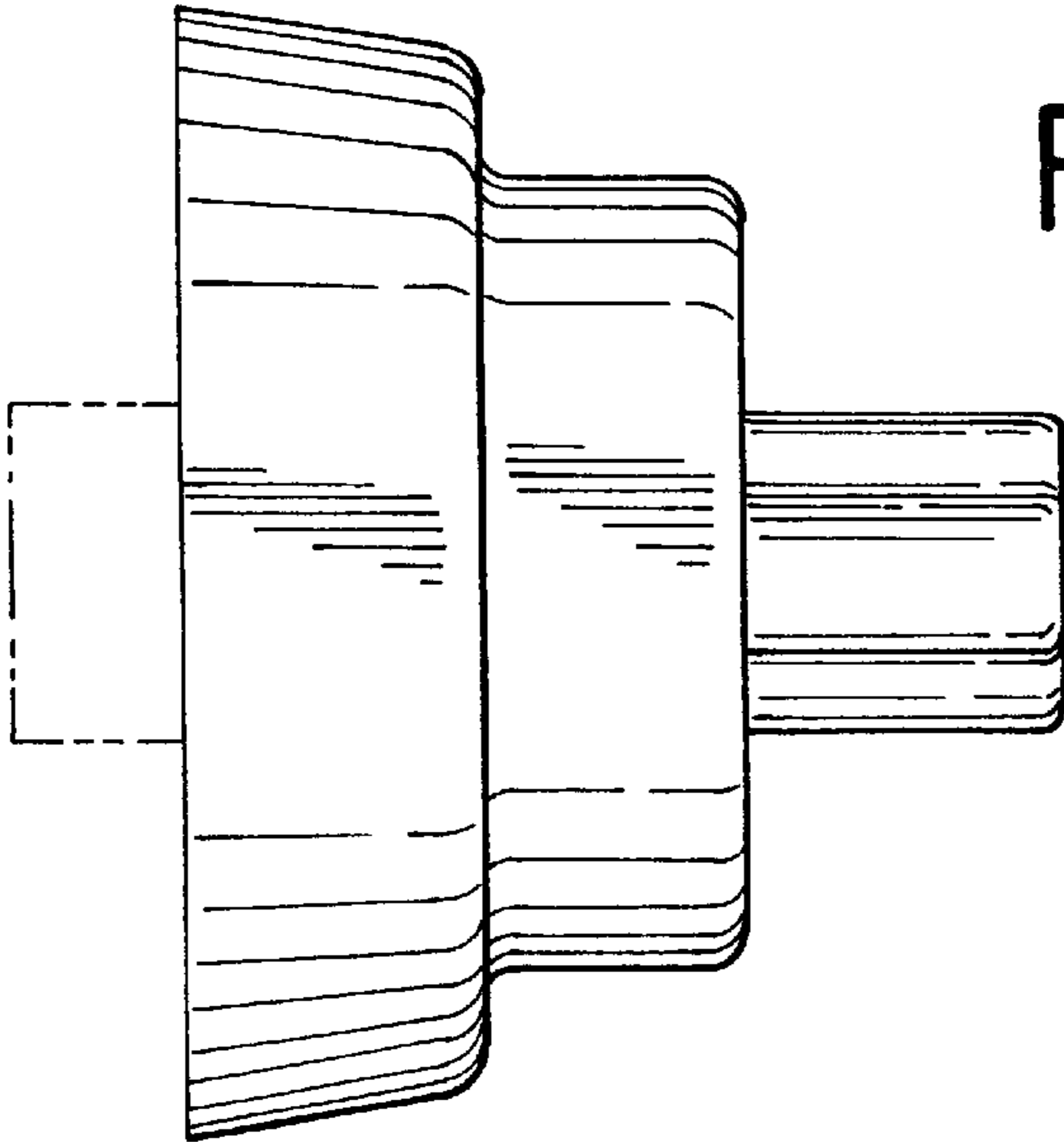


FIG.3

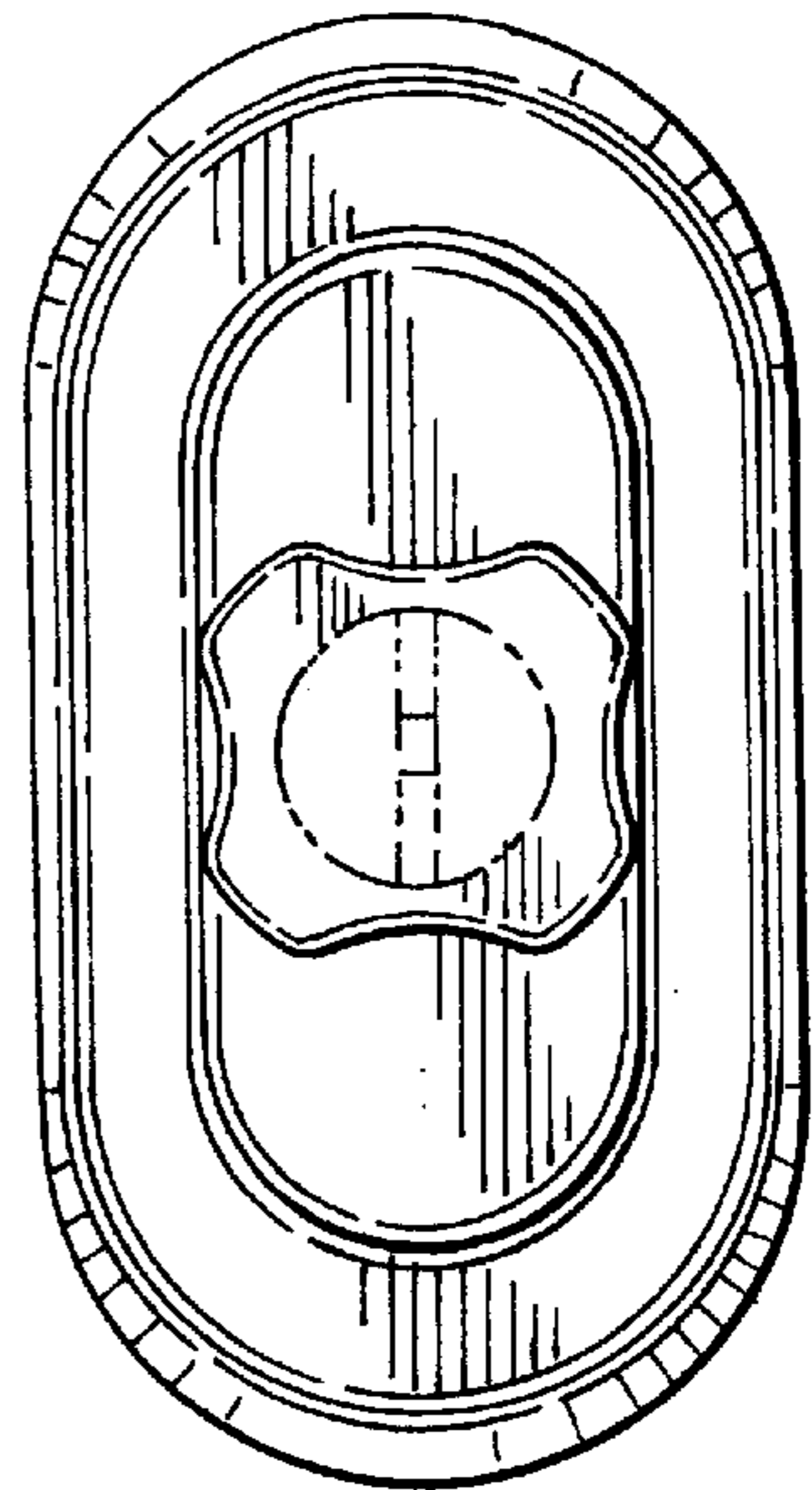


FIG.4

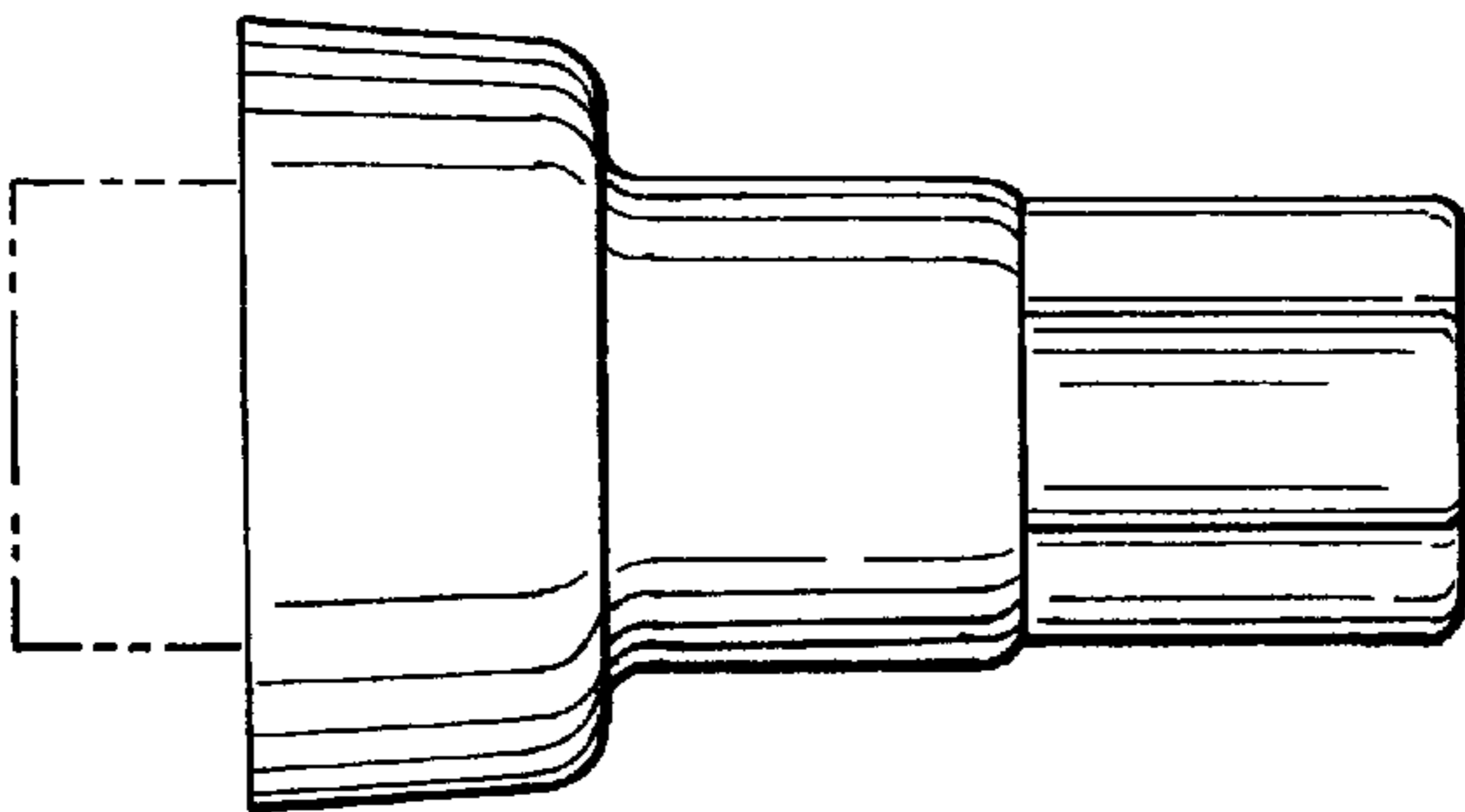


FIG.5

