



US00D424659S

United States Patent [19] Drewery

[11] **Patent Number: Des. 424,659**

[45] **Date of Patent: ** May 9, 2000**

[54] **AEROBIC TREATMENT TANK**

5,333,752 8/1994 Harding 220/565

[75] Inventor: **T. Gig Drewery**, Kountze, Tex.

Primary Examiner—Robin V. Taylor
Attorney, Agent, or Firm—Harrison & Egbert

[73] Assignee: **Aqua Partners, Ltd.**, Lumberton, Tex.

[57] **CLAIM**

[**] Term: **14 Years**

I claim the ornamental design for a aerobic treatment tank, as shown and described.

[21] Appl. No.: **29/102,341**

DESCRIPTION

[22] Filed: **Mar. 23, 1999**

FIG. 1 is an upper perspective view of a aerobic treatment tank showing my deisgn.

[51] **LOC (7) Cl.** **23-01**

[52] **U.S. Cl.** **D23/202; D23/207**

FIG. 2 is a side elevational view thereof, the opposite side being a mirror image thereof;

[58] **Field of Search** D23/200, 203-3, D23/207, 209; 220/4.12, 4.13, 565

FIG. 3 is an end view thereof;

FIG. 4 is a plan view thereof;

[56] **References Cited**

U.S. PATENT DOCUMENTS

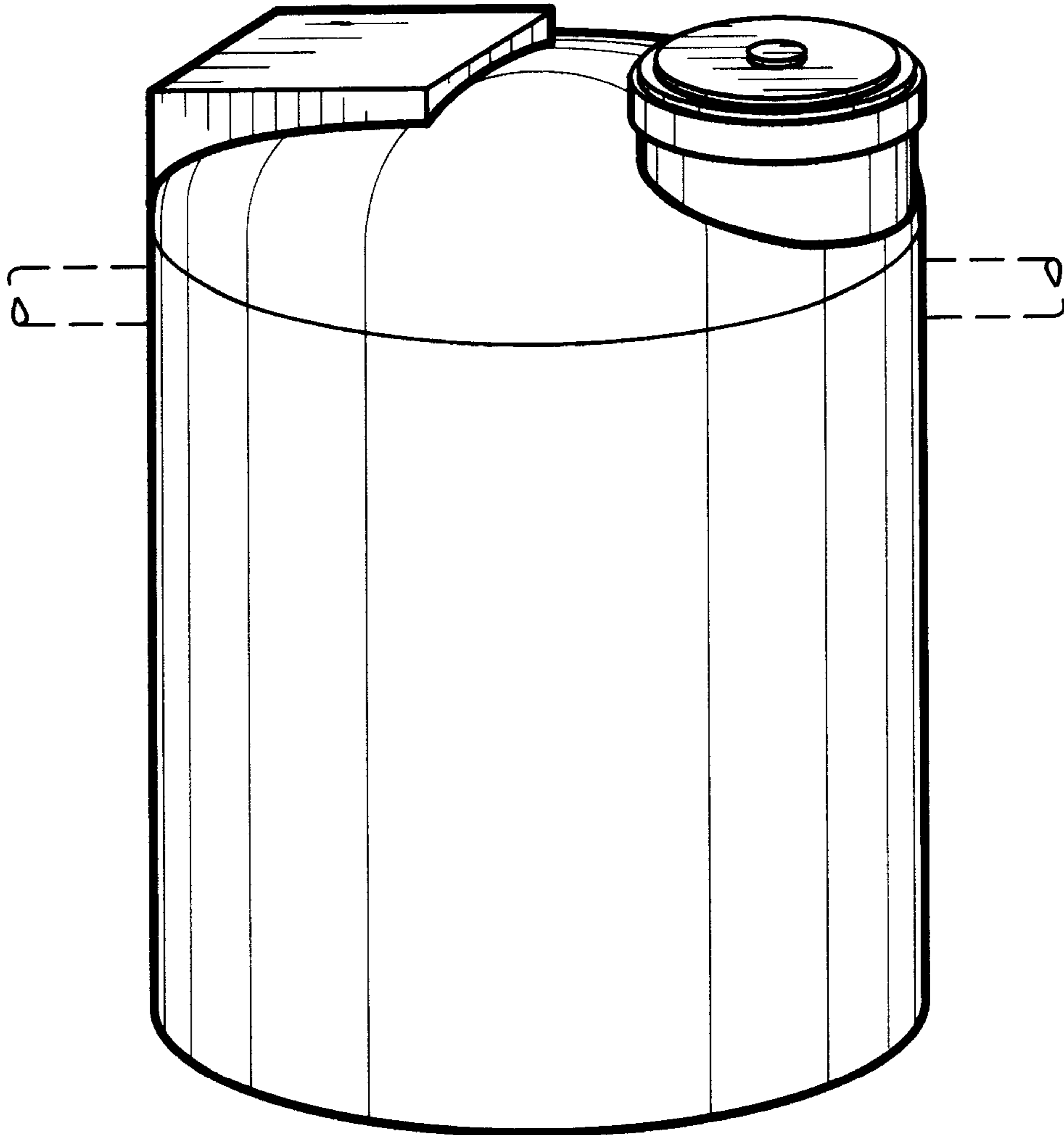
FIG. 5 is an opposite end view thereof; and,

FIG. 6 is a botom view thereof.

The broken line showing is for illustrative purposes only and forms no part of the claimed design.

D. 293,705	1/1988	Sayward	D23/202
4,648,521	3/1987	Thomas et al.	220/565
5,287,986	2/1994	Frost	220/565

1 Claim, 2 Drawing Sheets



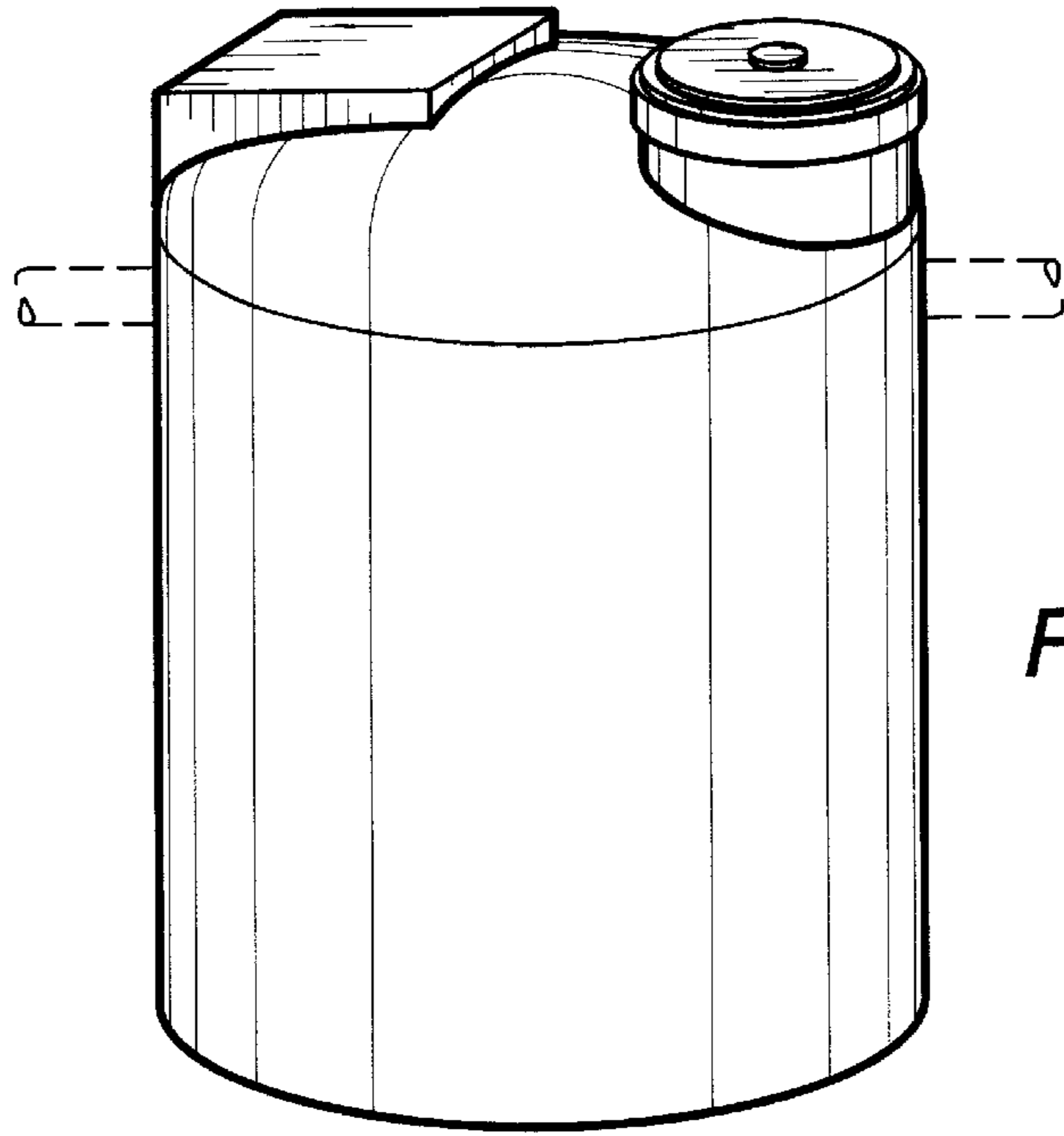


FIG. 1

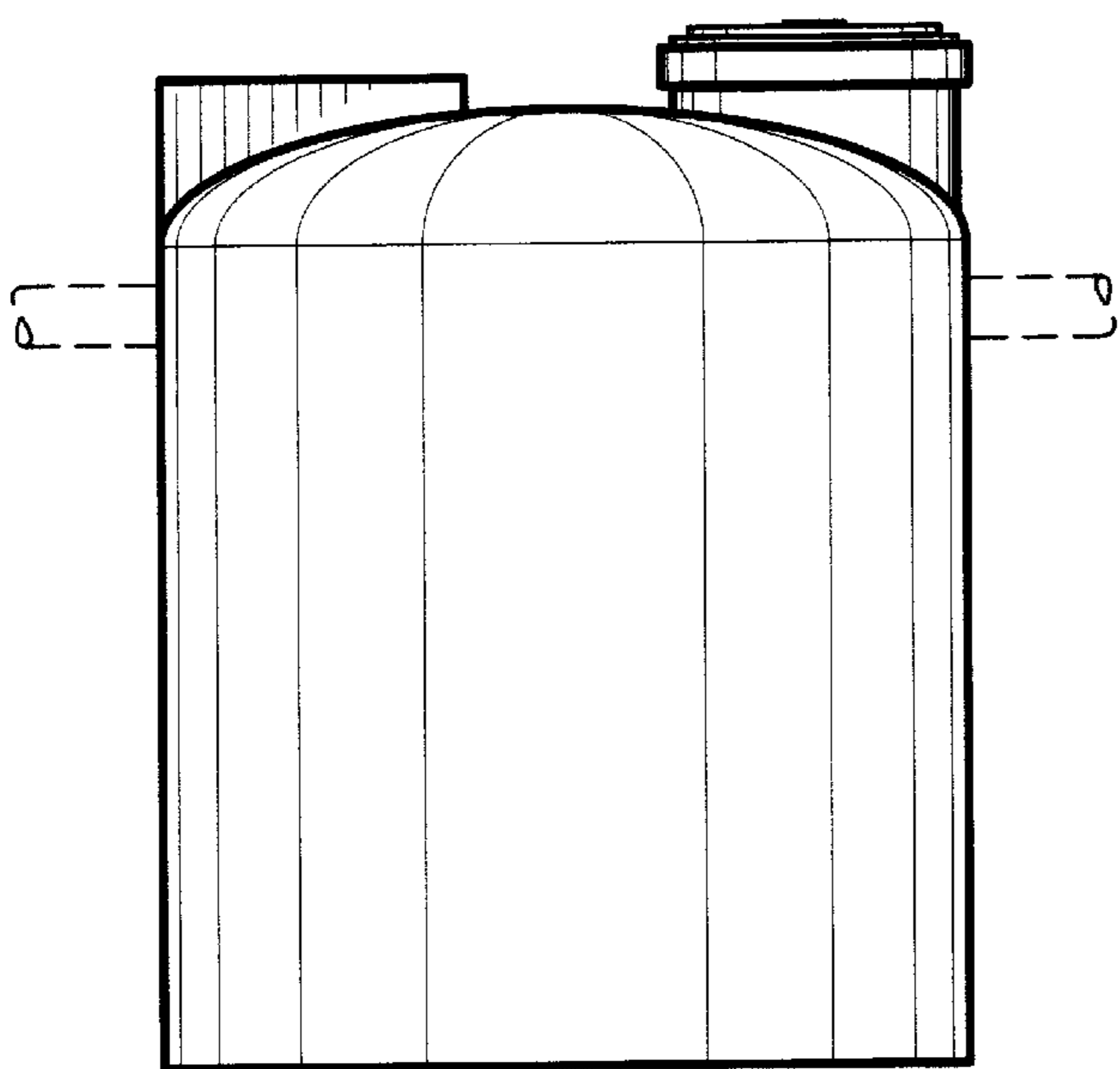


FIG. 2

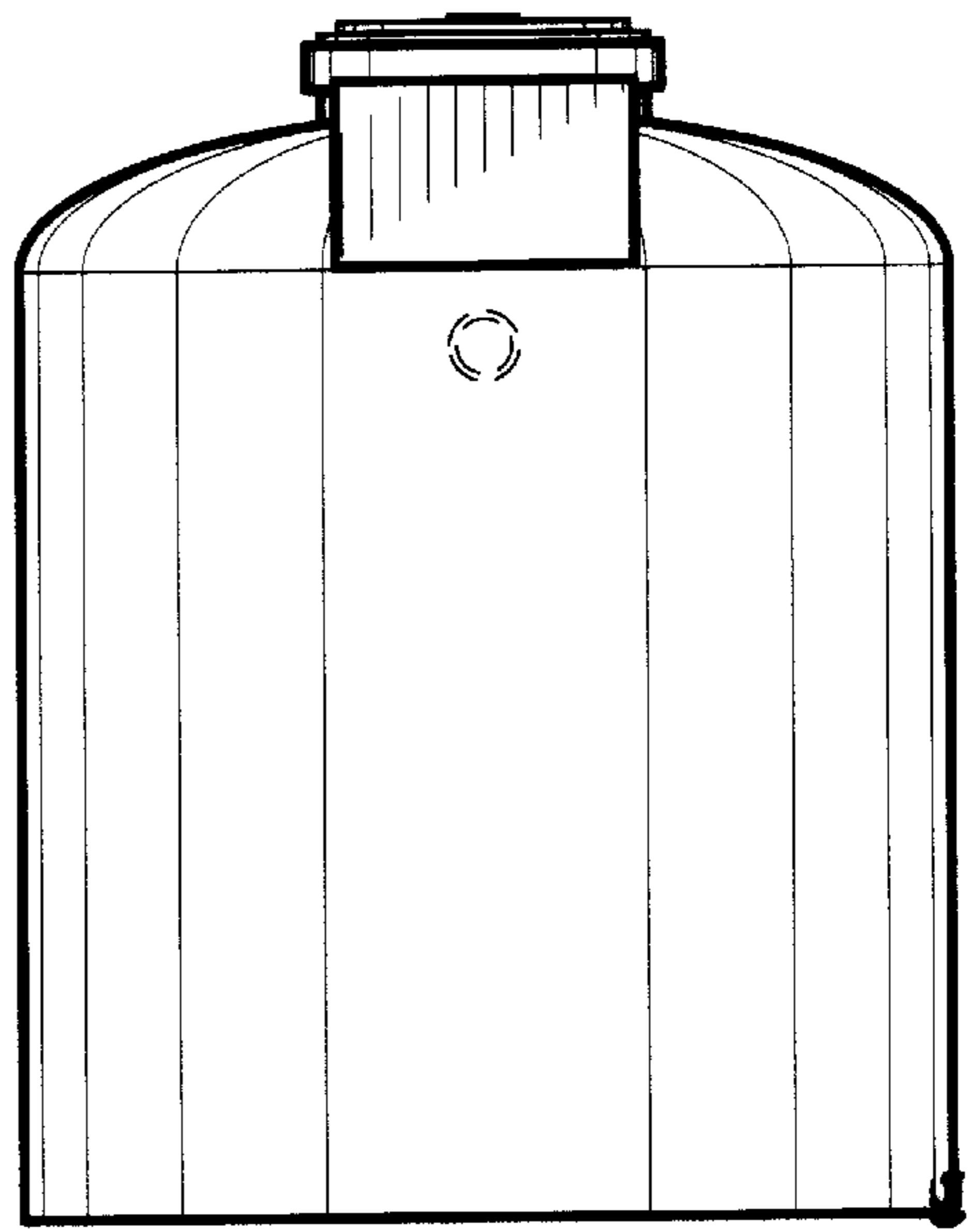


FIG. 3

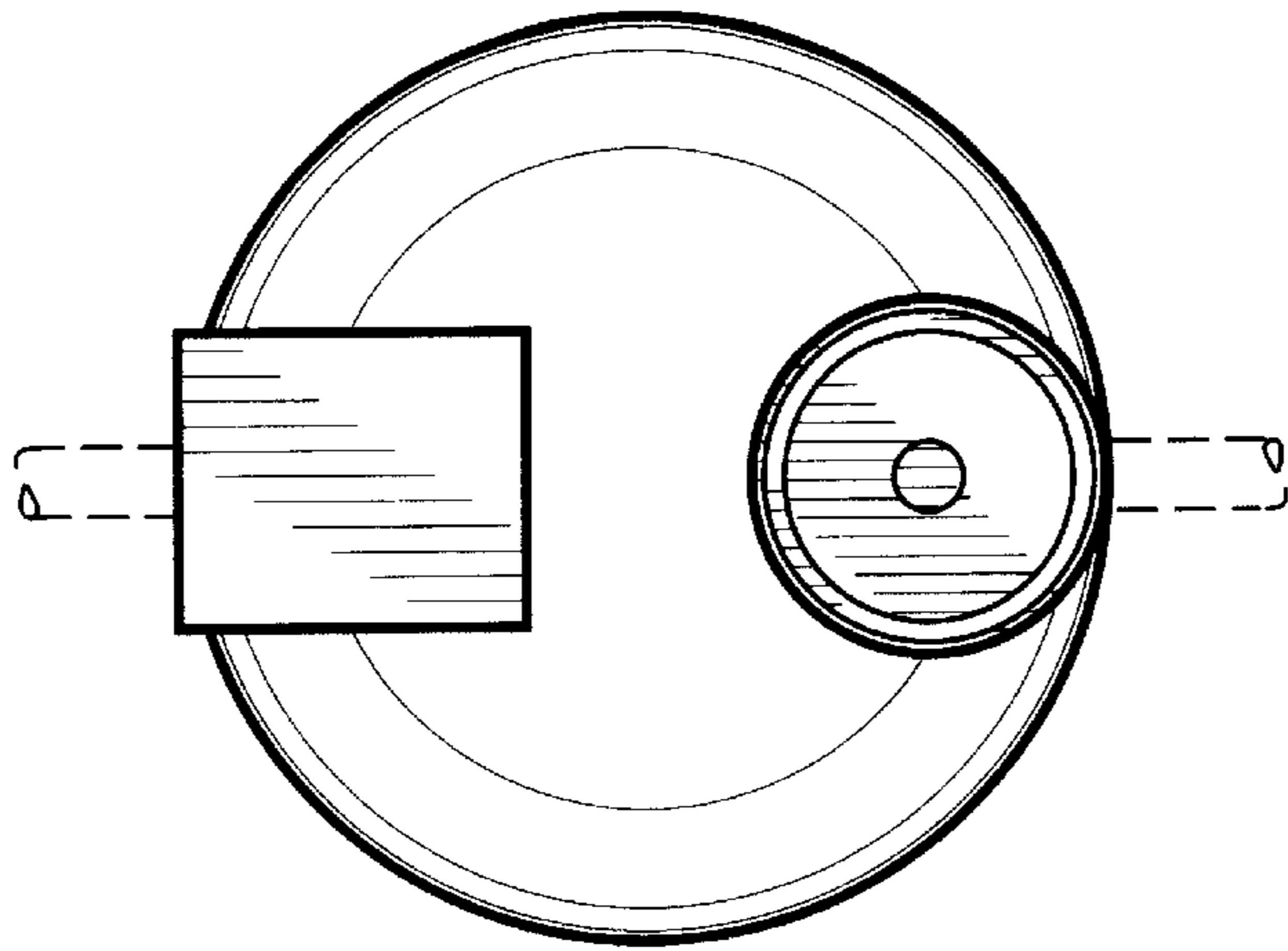


FIG. 4

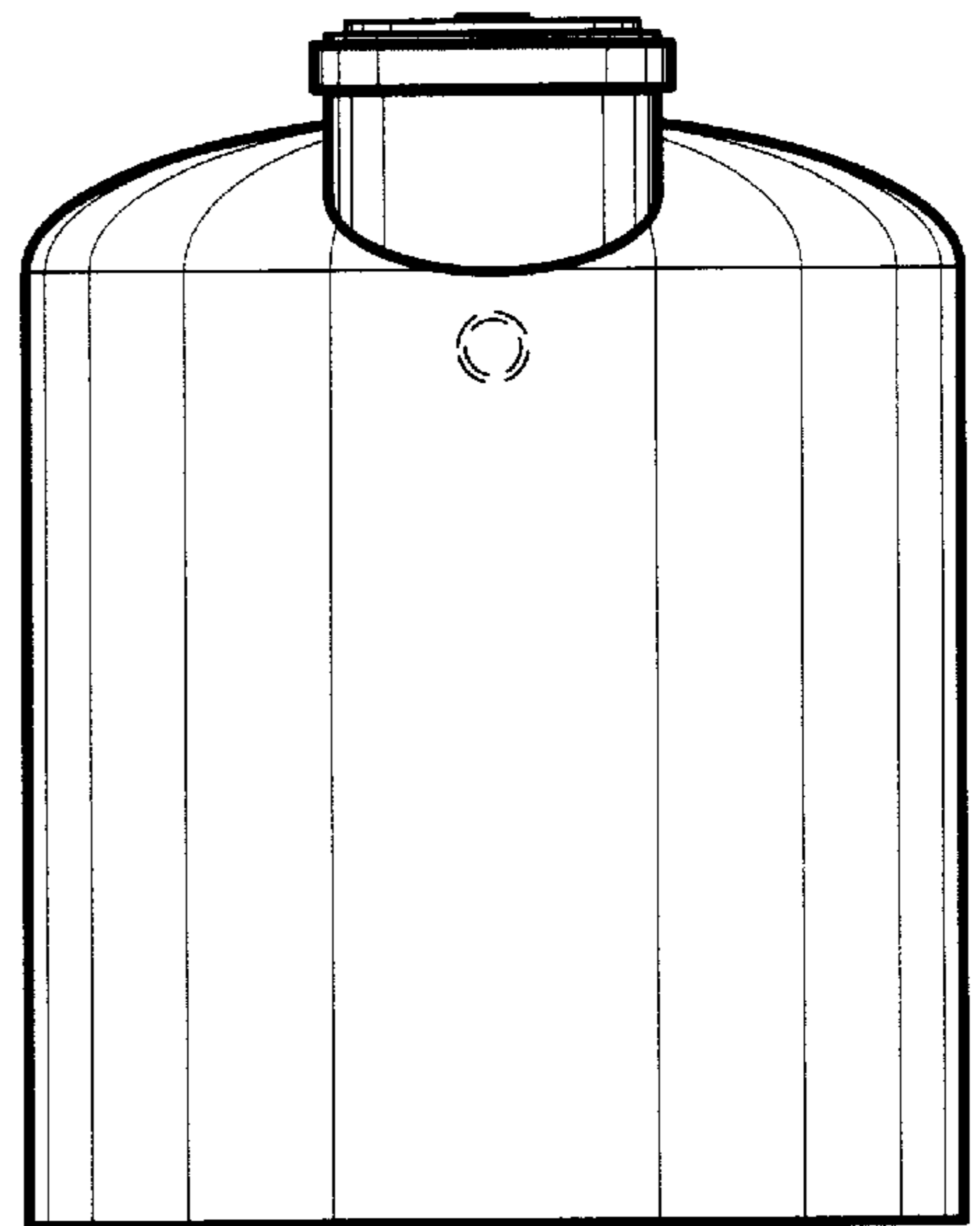


FIG. 5

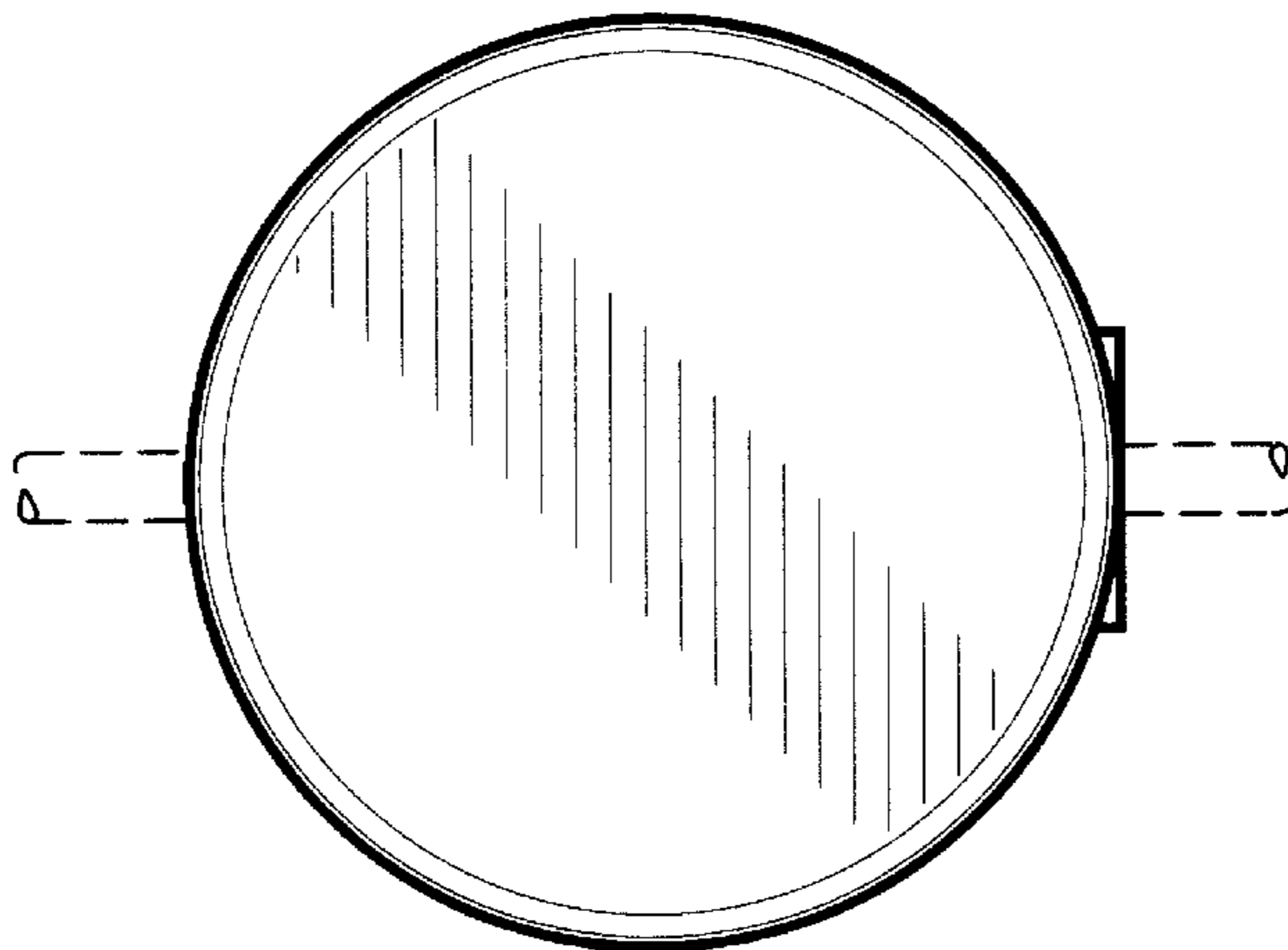


FIG. 6