



US00D424658S

United States Patent [19]
Mitchell

[11] **Patent Number: Des. 424,658**
[45] **Date of Patent: ** May 9, 2000**

[54] **FISHING POLE HOLDER**

[76] Inventor: **Robert G Mitchell**, 6509 Laurel Ave.,
Lake Isabella, Calif. 93240

[**] Term: **14 Years**

[21] Appl. No.: **29/091,235**

[22] Filed: **Jul. 27, 1998**

[51] **LOC (7) Cl.** **22-05**

[52] **U.S. Cl.** **D22/147**

[58] **Field of Search** D22/134, 137,
D22/138, 139, 142, 147, 148, 199; 43/1,
4, 18.1, 21.2, 54.1; 248/519, 520, 538,
530, 511, 514; 211/70.8; D6/417

[56] **References Cited**

U.S. PATENT DOCUMENTS

- D. 157,716 3/1950 Wortman D22/147
- D. 222,673 11/1971 Green D22/147
- D. 314,287 2/1991 Albright, Sr. D22/147

- 416,901 12/1889 Clark 248/519
- 2,003,535 6/1935 Haskin 248/538
- 3,783,547 1/1974 Bystrom et al. 43/21.2
- 4,372,072 2/1983 Comeau 43/21.2
- 5,625,974 5/1997 Demaio 43/21.2
- 5,639,057 6/1997 Yeomans 248/530
- 5,758,857 6/1998 Gray 248/530

Primary Examiner—Louis S. Zarfaz
Assistant Examiner—Inga-Maria Hyttinen

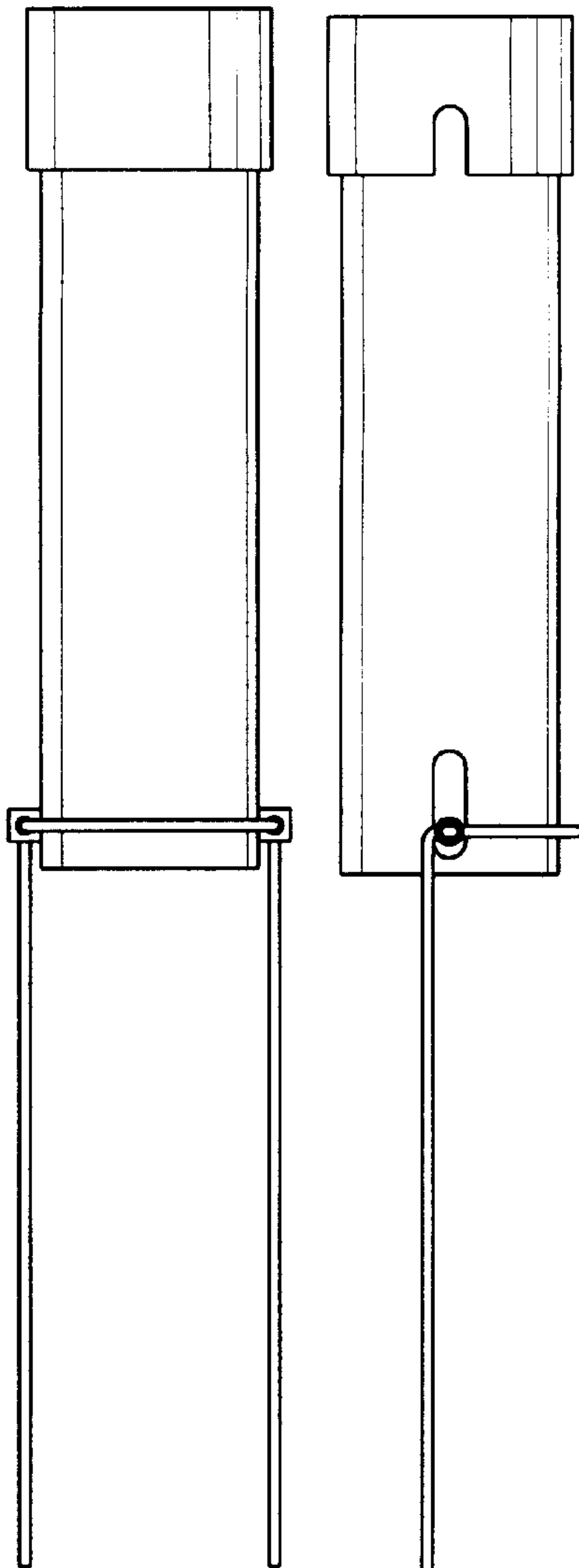
[57] **CLAIM**

The ornamental design for a fishing pole holder, as shown.

DESCRIPTION

FIG. 1 is a front elevation view of a fishing pole holder showing my new design;
FIG. 2 is a rear elevation view thereof;
FIG. 3 is a left side elevation view thereof,
FIG. 4 is a right side elevation view thereof; and,
FIG. 5 is a top plan view thereof.

1 Claim, 2 Drawing Sheets



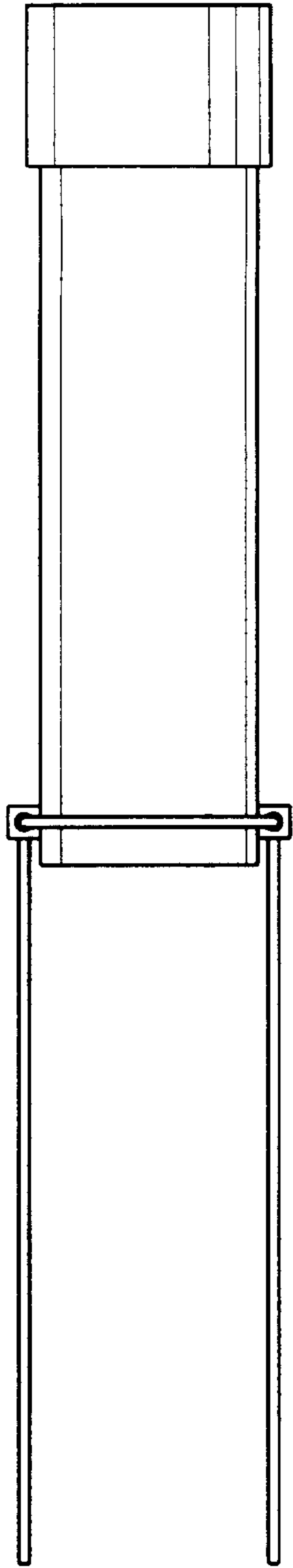


FIG. 1

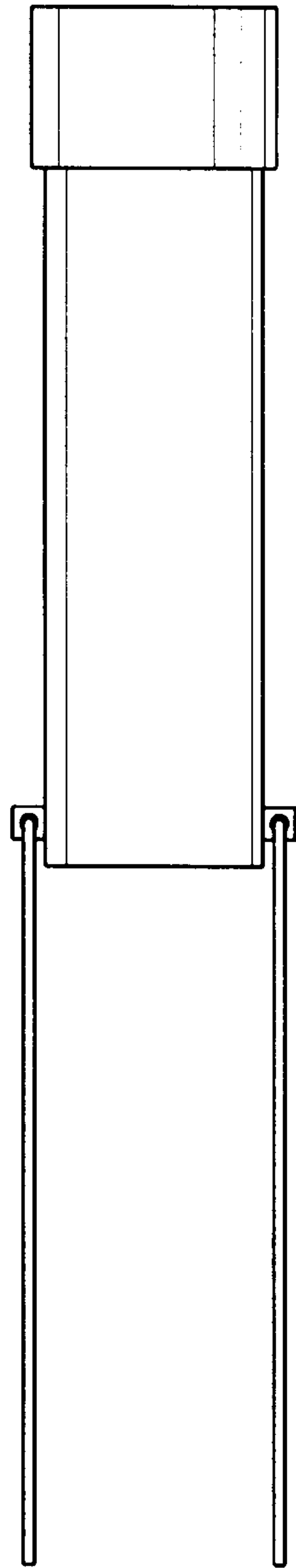


FIG. 2

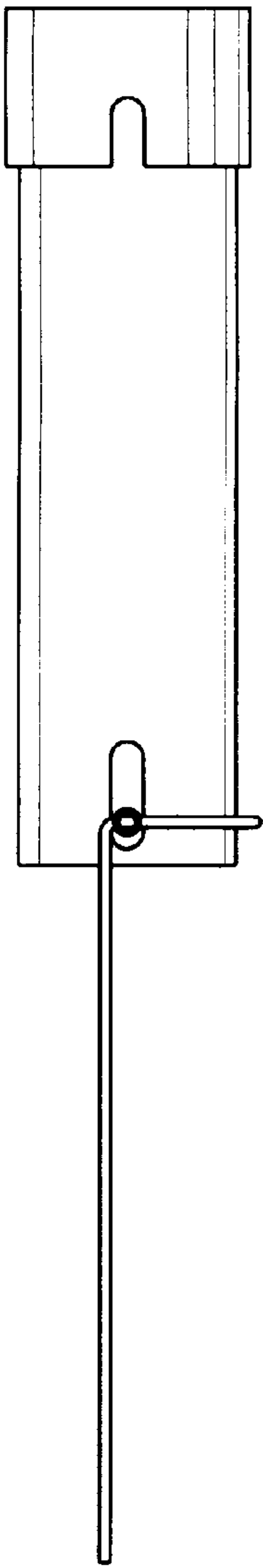


FIG. 3

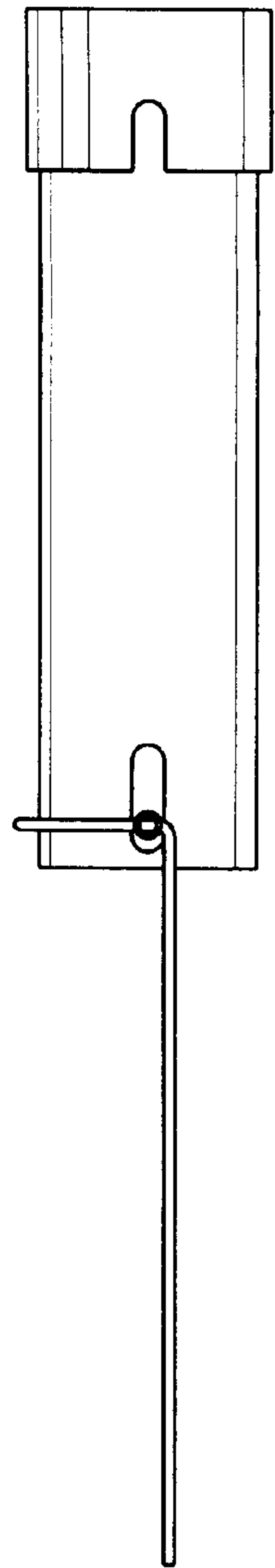


FIG. 4

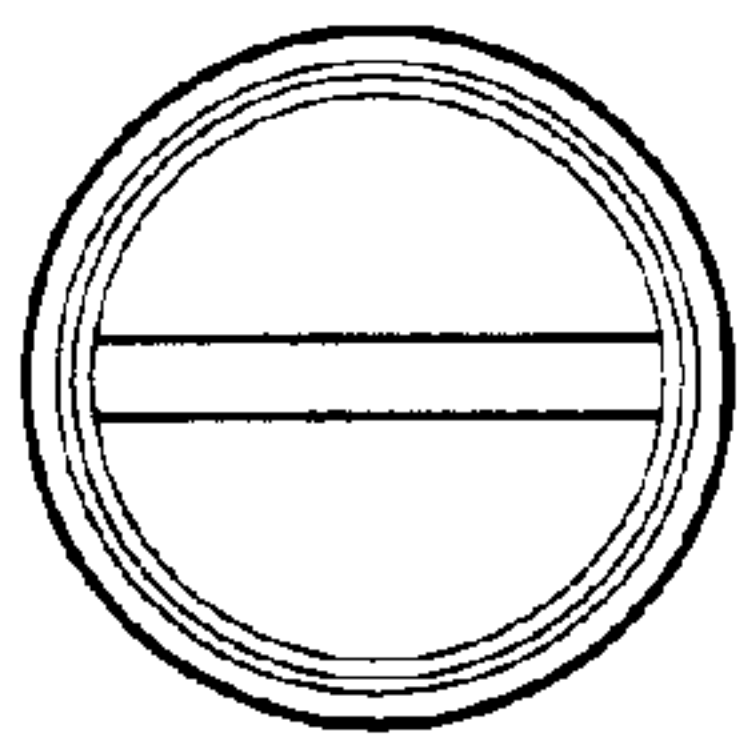


FIG. 5